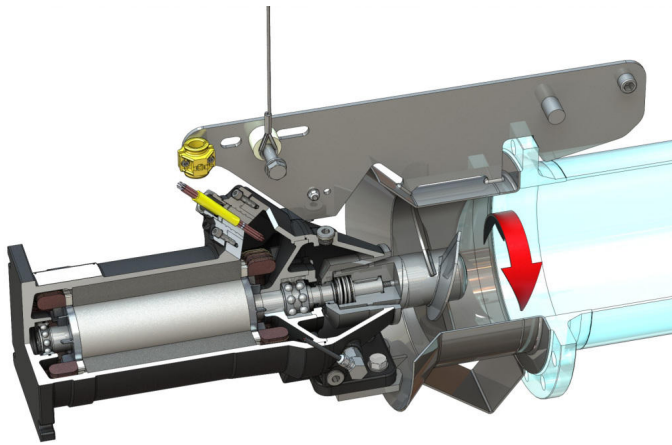


Pioneering for You

wilo

Recirculation Pump

EMU RZP 25-2.95-6/8 S17



Materials

Motor housing	5.1301, EN-GJL-250
Static gaskets	FKM
Motor shaft	1.4021, X20Cr13
Seal on motor side	FKM
Sealing chamber	5.1301, EN-GJL-250
Seal on the fluid side	SiC/SiC, Q1Q1VGG
Propeller hub	1.4571, X6CrNiMoTi17-12-2
Propeller	1.4571, X6CrNiMoTi17-12-2
Flow housing	1.4571, X6CrNiMoTi17-12-2

Unit

Max. weight* <i>m</i>	85 kg
Explosion protection <i>ATEX</i>	optional
Explosion protection <i>FM</i>	optional
Protection class motor	IP68

Propeller

Propeller model	3-blade propeller with self-cleaning hub; backward-curved as a result clogging- and entwining-free
Nominal propeller diameter	250 mm
Propeller speed <i>n</i>	915 1/min
Transmission ratio	1.000

Filling quantities and types

Filling sealing chamber	White oil
Fill volume sealing chamber <i>V</i>	1.10 l

Motor/electronics

Motor type	T 17-6/8R (Ex)
Motor design	Submersible motor acc. IEC 60034-1
Mains connection	3~400 V, 50 Hz
Rated current <i>I_N</i>	4.45 A
Starting current - direct <i>I_A</i>	17.00 A
Starting current - star-delta <i>I_A</i>	6.00 A
Power consumption <i>P_{1 max}</i>	2.50 kW
Rated power <i>P₂</i>	1.75 kW
Speed original <i>n</i>	915 1/min
Motor efficiency class	-
Efficiency <i>η_M</i>	70.0 %
Power factor <i>cos φ</i>	0.82
Min. fluid temperature <i>T</i>	3 °C
Max. fluid temperature <i>T</i>	40 °C
Max. immersion depth	20 m
Insulation class	H
Max. switching frequency <i>t</i>	15 1/h
min. switching break <i>t</i>	3 min
Starting torque <i>M</i>	37 Nm
Moment of inertia	0.01120 kg/m ²
Motor bearings	1 grooved ball bearing, 1 two-row inclined ball bearing

*maximum weight including accessories