

Zubehör - Accessories - Accessoires

Maxiprop TR221 / Megaprop TR321

AVMS...

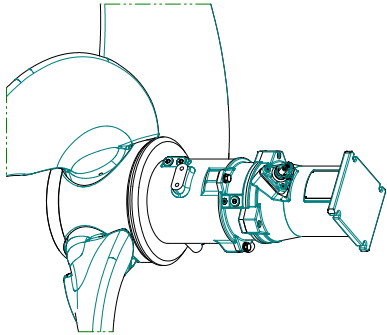
wilo

Heimgartenstraße 1-3 D-95030 Hof/Saale
 Telefon +49 9281 974-0 Fax +49 9281 96528
 www.wilo.com E-Mail: info@wilo.com

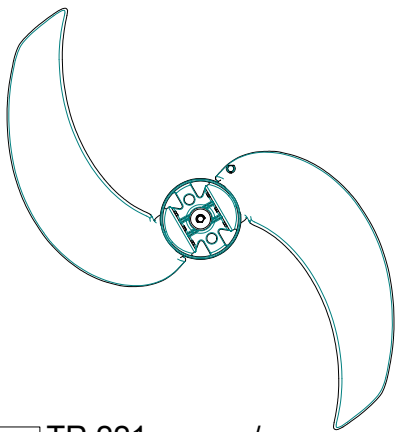
Kunde Customer Client	<input type="text"/>	Projekt Project Projet	<input type="text"/>	Angebot - Quotation - Offre Auftrag - Order - Commande Nr. - No.:	<input type="text"/>
-----------------------------	----------------------	------------------------------	----------------------	---	----------------------

Führungsrohrlänge Standard L= 6 m
 Guide pipe length L1= L2= L3= m
 Longueur du tube de guidage

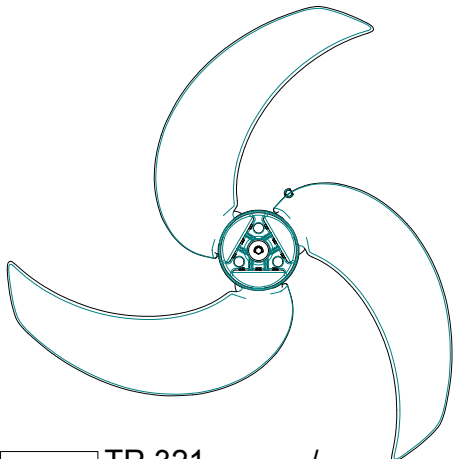
Teile - parts - pièces séparées
 montiert - mounted - monté



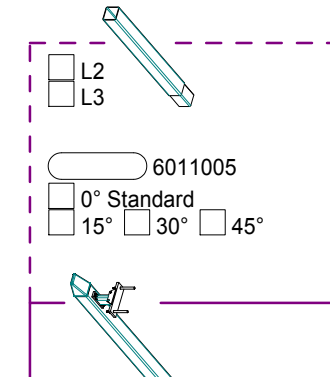
TR X21



TR 221. - / -
 KMAT 6000238



TR 321. - / -
 KMAT 6000245



AVMSH

D=2,0m

KMAT 6000554

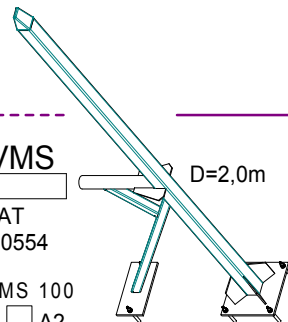
AVMSH 100

A2
 A4

AVMSH 120

A4

6010954 (3x)



AVMS

D=2,0m

KMAT 6000554

AVMS 100

A2
 A4

Schub
 Thrust <2500N L_{max} 6m
 Poussée

AVMS 120

A4

6010954 (3x)

A4 = 1.4571 / AISI 316Ti / Z 6 CNDT 17-12

A2 = 1.4301 / AISI 304 / Z 7 CN 18-09

= Befestigungssatz / fixing elements / éléments de fixation

<input type="text"/>	6068158 (6068160...64)	
<input type="text"/>	6010983	
<input type="text"/>	6010963 Gr.100	
<input type="text"/>	6011040 Gr.120	
<input type="text"/>	6010947 #1 (Ø10-17)	
<input type="text"/>	6010946 #2 (Ø17-26)	
<input type="text"/>	6011029 #3 (Ø26-36)	
<input type="text"/>	6061714 #1+3	
<input type="text"/>	6061715 #2+3	
<input type="text"/>	6068158 (6068160...64)	
<input type="text"/>	6010983	
<input type="text"/>	6010970 Gr.100	
<input type="text"/>	6001961 Gr.120	
<input type="text"/>	6010963 Gr.100	
<input type="text"/>	6011040 Gr.120	
<input type="text"/>	6010947 #1 (Ø10-17)	
<input type="text"/>	6010946 #2 (Ø17-26)	
<input type="text"/>	6011029 #3 (Ø26-36)	
<input type="text"/>	6061714 #1+3	
<input type="text"/>	6061715 #2+3	