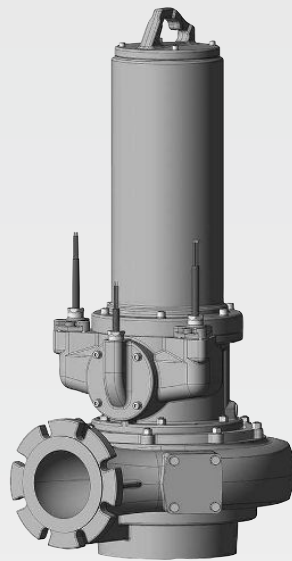


# Wilo Motor HC 20.1 + EMU FA, Rexa SUPRA, Rexa SOLID



**en-US** Installation and operating instructions

**es** Instrucciones de instalación y funcionamiento



US-English.....	4
Español .....	54



WILO186739

## Table of contents

<b>1</b>	<b>General</b>	<b>6</b>
1.1	About this manual	6
1.2	Note on conformity	6
1.3	Copyright	6
1.4	Subject to changes	6
1.5	Warranty	6
<b>2</b>	<b>Safety</b>	<b>6</b>
2.1	Identification of safety instructions	7
2.2	Personnel qualifications	8
2.3	Electrical work	8
2.4	Monitoring devices	9
2.5	Operating in fluids that are hazardous to health	9
2.6	Transport	9
2.7	Installation/dismantling work	9
2.8	During operation	10
2.9	Maintenance work	10
2.10	Operating fluids	11
2.11	Operator's obligations	11
<b>3</b>	<b>Application/Use</b>	<b>11</b>
3.1	Intended use	11
3.2	Improper use	11
<b>4</b>	<b>Product description</b>	<b>11</b>
4.1	Construction	11
4.2	Monitoring devices	13
4.3	Operating modes	14
4.4	Operation with frequency converter	14
4.5	Operation in an explosive atmosphere	14
4.6	Rating plate	15
4.7	Type key	15
4.8	Scope of delivery	16
4.9	Accessories	16
<b>5</b>	<b>Transport and storage</b>	<b>17</b>
5.1	Delivery	17
5.2	Transport	17
5.3	Storage	18
<b>6</b>	<b>Installation and electrical connection</b>	<b>19</b>
6.1	Personnel qualifications	19
6.2	Installation methods	19
6.3	Operator's obligations	19
6.4	Installation	19
6.5	Electrical connection	25
<b>7</b>	<b>Commissioning</b>	<b>29</b>
7.1	Personnel qualifications	29
7.2	Operator's obligations	29
7.3	Direction of rotation check (three-phase motors only)	29
7.4	Operation in an explosive atmosphere	30
7.5	Before switching on	30
7.6	Switching on and off	31
7.7	During operation	31

<b>8 Decommissioning/removal .....</b>	<b>32</b>
8.1 Personnel qualifications .....	32
8.2 Operator's obligations.....	32
8.3 Decommissioning.....	33
8.4 Removal.....	33
<b>9 Maintenance and repair.....</b>	<b>35</b>
9.1 Personnel qualifications .....	36
9.2 Operator's obligations.....	36
9.3 Operating fluids.....	36
9.4 Maintenance intervals .....	37
9.5 Maintenance measures .....	37
9.6 Repairs .....	41
<b>10 Faults, causes and remedies .....</b>	<b>44</b>
<b>11 Spare parts.....</b>	<b>48</b>
<b>12 Disposal.....</b>	<b>48</b>
12.1 Oils and lubricants.....	48
12.2 Water-glycol mixture .....	48
12.3 Protective clothing .....	48
12.4 Information on the collection of used electrical and electronic products.....	48
<b>13 Appendix.....</b>	<b>48</b>
13.1 Tightening torques .....	48
13.2 Operation with frequency converter.....	49
13.3 Ex rating .....	50

## 1 General

### 1.1 About this manual

The 'Installation and operating instructions' are an integral part of the product. Read these instructions before all activities and keep them accessible at all times. Strict observance of these instructions is a prerequisite for the intended use and correct handling of the product. Observe all information and markings on the product.

The language of the original operating instructions is German. All other languages of these instructions are translations of the original operating instructions.

### 1.2 Note on conformity

This product was developed and manufactured in accordance with the applicable EU product directives, to which all products sold in the EU must conform.

This product therefore complies with the relevant, general safety and health requirements of the European Union, as well as the published European standards and internationally recognized German standards.

Since this product was not intended to be sold and used in the European Union, it does not have a CE marking. **It is therefore not permitted to sell it in the European Union.**

### 1.3 Copyright

These 'Installation and operating instructions' have been copyrighted by the manufacturer. The content, of any kind, may not be reproduced, distributed or used for any competitive purpose without authorization and handed to third parties.

### 1.4 Subject to changes

The manufacturer reserves the right to make technical modifications to the product or individual components. Illustrations used may differ from the original and serve only as example illustrations of the product.

### 1.5 Warranty

For the warranty and warranty period the specifications according to the current "General Terms and Conditions" apply. You can find these here: [www.wilo.com/legal](http://www.wilo.com/legal)

Any deviations must be contractually agreed and shall then be given priority.

#### **Warranty**

If the following points have been adhered to, the manufacturer is obliged to repair any qualitative or constructive defects:

- The defects were reported in writing to the manufacturer within the warranty period.
- Application according to intended use.
- All monitoring devices are connected and were checked before commissioning.

#### **Disclaimer**

A disclaimer rules out any responsibility for personal injury, material damage or financial losses. This exclusion of liability follows as soon as one of the following points applies:

- Inadequate configuration due to unsatisfactory or false information from the operator or employer
- Non-compliance with the 'Installation and operating instructions'
- Improper use
- Improper storage or transport
- Faulty installation or dismantling
- Insufficient or incorrect maintenance
- Unauthorized repairs
- Unsatisfactory building site
- Chemical, electrical or electrochemical influences
- Wear

## 2 Safety

This section contains basic information for the individual phases of the life cycle. Failure to observe this information will result in the following risks:

- Danger to persons due to electrical, mechanical and bacteriological effects as well as electromagnetic fields
- Danger to the environment due to leakage of hazardous substances
- Material damage

- Failure of important functions of the product

Failure to observe the information contained herein will result in the loss of claims for damages.

**In addition, observe the instructions and safety instructions in the following sections!**

## 2.1 Identification of safety instructions

In these 'Installation and operating instructions', safety instructions are used for material damage and personal injury. These safety instructions are illustrated differently:

- Safety instructions for personal injury start with a signal word, have a corresponding prefixed **symbol** and are grayed out.

### DANGER



#### Type and source of the danger!

Impacts of the danger and instructions for prevention.

- Safety instructions for material damage start with a signal word and are illustrated **without** a symbol.

### CAUTION

#### Type and source of the danger!

Impacts or information.

#### Signal words

- **DANGER!**  
Violation causes death or serious injury!
- **WARNING!**  
Violation can cause (serious) injury!
- **CAUTION!**  
Violation can cause material damage, total breakdown is possible.
- **NOTICE!**  
Useful indication for handling the product

#### Text designations

- ✓ Prerequisite
- 1. Work step/list  
⇒ Notice/instruction
- Result

#### Symbols

The following symbols are used in these instructions:



Danger of electrical voltage



Danger from bacterial infection



Danger of explosion



Danger – explosive atmosphere



General warning symbol



Warning of cutting injuries



Warning of hot surfaces



Warning of high pressure



Warning of suspended load



Personal protective equipment: wear a protective helmet



Personal protective equipment: wear foot protection



Personal protective equipment: wear hand protection



Personal protective equipment: wear mouth protection



Personal protective equipment: wear safety goggles



Working alone forbidden! A second person must be present.



Useful indication

## 2.2 Personnel qualifications

The personnel must:

- Be informed of the locally applicable accident prevention regulations.
- Have read and understood the 'Installation and operating instructions'.

The personnel must have the following qualifications:

- Electrical work: A qualified electrician must carry out the electrical work.
- Installation-/dismantling work: The technician must be trained to handle the necessary tools and required fastening materials for the present building site.
- Maintenance work: The technician must be familiar with the use of operating fluids and their disposal. Furthermore, the technician must have basic knowledge of engineering.

### **Definition “Qualified Electrician”**

A qualified electrician is someone with suitable technical training, knowledge and experience, who can recognize **and** avoid the dangers associated with electricity.

## 2.3 Electrical work

- Have electrical work carried out by a qualified electrician.
- Before commencing work, disconnect the product from the power supply and safeguard it from being switched on again.



- Observe applicable local provisions when making the power connection.
- Adhere to the provisions of the local energy supply company.
- Train personnel in the execution of the electrical connection.
- Instruct personnel in the options for switching off the device.
- Adhere to the technical information in these installation and operating instructions as well as on the rating plate.
- Earth product.
- Observe provisions for connection to the electrical switching systems.
- Comply with the specifications on electro-magnetic compatibility when using electronic start-up controllers (e.g. soft starter or frequency converter). If required, take special measures into account (e.g. shielded cables, filters etc.).
- Replace defective connection cables. Contact customer service.

## 2.4 Monitoring devices

The following monitoring devices must be provided by the customer:

### ***Circuit breaker***

The size and switching characteristics of the circuit breakers must conform to the rated current of the product connected. Observe the locally applicable regulations.

### ***Motor protection switch***

For products supplied without a plug, a motor protection switch must be installed on-site. The minimum requirement is a thermal relay/motor protection switch with temperature compensation, differential triggering and an anti-reactivation device, in accordance with local regulations. Further protection devices (e.g. overvoltage, undervoltage, or phase-failure relay etc.) must be provided on-site for sensitive power supplies.

### ***Residual-current device (RCD)***

Adhere to the regulations of the local energy supply company! We recommend using a residual-current device (RCD).

If persons come into contact with the product and conductive liquids, secure connection **with** a residual-current device (RCD).

## 2.5 Operating in fluids that are hazardous to health

When using the product in fluids which are dangerous to health, there is a danger of bacterial infection! Thoroughly clean and disinfect the product after removal and before further use. The operator must ensure the following points:

- When cleaning the product the following protective equipment is made available and worn:
  - Closed safety goggles
  - Breathing mask
  - Protective gloves
- All persons are informed about the fluid, the danger resulting from it and how to handle it!

## 2.6 Transport

- The following protective equipment must be worn:
  - Safety shoes
  - Protective helmet (when using lifting equipment)
- Always use the product by the handle when transporting. Never pull on the power supply cable!
- Only use legally specified and permitted lifting gear.
- Select lifting gear according to the present conditions (weather, attachment point, load etc.).
- Always attach lifting gear to the attachment points (handle or lifting eye).
- The standard safety of the lifting equipment must be guaranteed during application.
- When using lifting equipment, get a second person to coordinate the procedure if necessary (e.g. view blocked).
- Standing under suspended loads is not permitted. Do **not** move suspended loads over working areas occupied by people.

## 2.7 Installation/dismantling work

- Wear the following protective equipment:
  - Safety shoes
  - Safety gloves that protect against cuts
  - Protective helmet (when using lifting equipment)
- At the operation site adhere to applicable laws and regulations for work safety and accident prevention.

- Disconnect the product from the power supply and secure against unauthorized switch-on.
- All rotating parts must stop.
- Ensure sufficient aeration in closed rooms.
- When working in chambers and closed rooms a second person must be present for safety reasons.
- If toxic or suffocating gases build up, immediately initiate countermeasures!
- Clean product thoroughly. Disinfect products which have been used in fluids which are dangerous to health!
- Ensure that there is no danger of explosion during all welding work or work with electrical devices.

## 2.8 During operation

- Wear the following protective equipment:
  - Safety shoes
  - Hearing protection (according to the work regulations notice)
- Keep people out of the product's working area. There must be no persons in the working area during operation.
- The operator must inform his/her superior immediately of any faults or irregularities.
- If defects which are dangerous to health arise, an immediate deactivation by the operator must be performed:
  - Breakdown of the safety and monitoring devices
  - Damage to the housing components
  - Damage to electrical equipment
- Never reach into the suction ports. The rotating parts can crush and sever limbs.
- If the motor emerges during operation, as well as in dry well installation, the motor housing can heat up to above 40 °C (104 °F).
- Open all gate valves on the suction and pressure side of the pipe.
- Ensure minimum water submersion with dry-running protection.
- Under normal operating conditions the product has a sound pressure of below 85 dB(A). However, the actual sound pressure level depends on several factors:
  - Installation depth
  - Installation
  - Fixation of accessories and piping
  - Duty point
  - Immersion depth
- If the product is running under the applicable operating conditions, the operator must carry out a sound pressure measurement. Hearing protection must be worn if the sound pressure is above 85 dB(A) and an indication made in the work regulations!

## 2.9 Maintenance work

- Wear the following protective equipment:
  - Closed safety goggles
  - Safety shoes
  - Safety gloves that protect against cuts
- Always carry out maintenance work outside the operating space/installation site.
- Only perform maintenance work which is described in these 'Installation and operating instructions'.
- Only original parts from the manufacturer may be used for maintenance and repair. The use of parts other than original parts absolves the manufacturer of any liability.
- Immediately clean up leakage from the fluid and operating fluid and dispose of according to the locally applicable guidelines.
- Store tools in the places provided.
- Upon completion of the work re-install all safety and monitoring devices and check for correct functioning.

### ***Change of operating fluid***

In the event of a defect, a pressure **of several bar can build up** inside the motor! This pressure escapes **when opening** the screw plugs. Screw plugs opened carelessly can be ejected at high speed! To avoid injuries, observe the following instructions:

- Adhere to the prescribed sequence of work steps.
- Unscrew screw plugs slowly but never fully. As soon as the pressure escapes (an audible whistling or hissing of air), do not turn any further.

**WARNING! When the pressure escapes, hot operating fluid can also be ejected. This can lead to burns! To avoid injury, allow the motor to cool down to ambient temperature before commencing work!**

- When the pressure has fully dissipated, fully unscrew screw plug.

## 2.10 Operating fluids

The motor is filled with white oil or a water-glycol mixture in the sealing chamber and cooling system. The operating fluids must be replaced during the regular maintenance work and disposed of according to the local guidelines.

## 2.11 Operator's obligations

- Provide the 'Installation and operating instructions' in the language of the personnel.
- Ensure the required training of personnel for the specified work.
- Provide the required protective equipment and ensure that the personnel wear the protective equipment.
- Ensure that the attached safety and information signs on the product are always legible.
- Instruct the personnel in the operating principle of the system.
- Exclude any potential risks presented by electricity.
- Fit dangerous components within the system with an on-site guard.
- Secure and mark the work area.
- For a safe workflow define the personnel's work plan.

Children and persons under 16 years of age or with limited physical, sensory or cognitive capacities are prohibited from handling the product! Persons under 18 years of age must be supervised by a technician!

## 3 Application/Use

### 3.1 Intended use

The submersible pumps are suited for pumping:

- Sewage with faeces
- Wastewater (with small amounts of sand and grit)
- Process sewage
- Pumped fluids with up to max. 8 % dry matter

### 3.2 Improper use

#### DANGER



#### Explosion due to pumping explosive fluids!

Pumping highly flammable and explosive fluids (benzene, kerosene etc.) in their pure form is strictly forbidden. There is a risk of fatal injury due to explosion! The pumps are not designed for these fluids.

#### DANGER



#### Danger due to fluids which are hazardous to health!

When the pump is used in fluids which are hazardous to health, decontaminate the pump after removal and before all work! There is a risk of fatal injury! Observe information from the work regulations! The operator must ensure that the personnel have received and read the work regulations!

The submersible pumps must **not be used** for pumping:

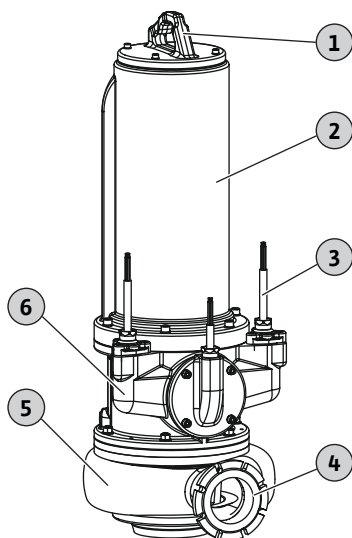
- Potable water
- Fluids containing hard components (e.g. stone, wood, metal etc.)
- Fluids with large amounts of abrasive contents (e.g. sand, grit)

Intended use also includes compliance with these instructions. Any other use is regarded as improper use.

## 4 Product description

### 4.1 Construction

Submersible sewage pump as submersible monobloc unit for continuous duty in wet well and dry well installation.



1	Handle
2	Motor
3	Connection cable
4	Pressure port
5	Hydraulics housing
6	Bearing housing

Fig. 1: Overview

#### 4.1.1 Hydraulics

Centrifugal hydraulics with different impeller shapes, horizontal flange connection on the pressure side, inspection cover as well as neck and impeller wear rings.

The hydraulics are **not** self-priming, in other words, the fluid must flow in either automatically or with supply pressure.

##### **Impeller shapes**

The individual impeller shapes depend on the size of the hydraulics and not every impeller shape is available for every hydraulic system. The following is an overview of the different impeller shapes:

- Vortex impeller
- Single-channel impeller
- Two-channel impeller
- Three-channel impeller
- Four-channel impeller
- SOLID impeller, closed or semi-open

##### **Inspection cover (depending on the hydraulics)**

Additional opening on the hydraulics housing. This opening is used to remove clogging in the hydraulics.

##### **Neck and impeller wear rings (depending on the hydraulics)**

The suction port and impeller are subjected to the most stress when pumping. In the case of channel impellers, the gap between the impeller and the suction port is an important factor for a constant efficiency. The larger the gap between the impeller and the suction port, the higher the losses in the delivery rate. The efficiency decreases and the danger of clogging increases. In order to ensure long and efficient operation of the hydraulics, an impeller wear ring and/or neck ring is installed depending on the impeller and the hydraulics.

- Impeller wear ring  
The impeller wear ring is attached to the channel impellers and protects the incoming flow edge of the impeller.
- Neck ring  
The neck ring is installed in the suction port of the hydraulics and protects the incoming flow edge in the centrifugal chamber.

The two components can be replaced easily when worn.

#### 4.1.2 Motor

In the three-phase current version, self-cooling submersible motors are used as the drive. The motor can be used in continuous duty both immersed and non-immersed. Continuous duty is also possible in dry well installation. The roller bearings are permanently lubricated,

which means they are maintenance-free. The connection cable is longitudinally watertight and has bare cable ends.

#### 4.1.3 Cooling system

The motor has an active cooling system with separate cooling circuit. The water-glycol mixture P35 is used as coolant. Coolant circulation is performed by an impeller. The impeller is driven with a magnetic coupling by the motor shaft. The waste heat is transferred directly to the fluid via the cooling flange. The cooling system is not pressurized when in cold state. A built-in overpressure valve limits the max. pressure to 3 bar in the event of a fault.

**CAUTION! The overpressure valve is only fitted as standard from year of manufacture 2015 onwards. In the case of motors without an overpressure valve extremely high pressure can occur in the cooling system if there is a fault. It is imperative that a conversion is made! Please contact customer service for the conversion!**

#### 4.1.4 Seal

Different methods are used for the seal to the fluid and the motor compartment:

- Version "G": two separate mechanical seals
- Version "K": two mechanical seals in a block seal cartridge made of stainless steel

Leakage from the seal is caught in the sealing chamber or leakage chamber:

- The sealing chamber accommodates any possible leakage of the seal on the fluid side.
- The leakage chamber accommodates any possible leakage of the seal on the motor side.

The sealing chamber between the mechanical seals is filled with medical white oil. The leakage chamber is empty.

#### 4.1.5 Material

The following materials are used in the standard version:

- Pump housing: EN-GJL-250 (ASTM A48 Class 35/40B)
- Impeller: EN-GJL-250 (ASTM A48 Class 35/40B)
- Motor housing: EN-GJL-250 (ASTM A48 Class 35/40B)
- Seal:
  - Motor side:
    - Version "G": Carbon/ceramic
    - Version "K": SiC/SiC
  - Fluid side: SiC/SiC
  - Static: NBR (nitrile)

The precise details of the materials are shown in the respective configuration.

#### 4.2 Monitoring devices

Overview of possible monitoring devices:

	HC 20.1	HC 20.1 ...-E3
Internal monitoring devices		
Terminal room/motor compartment	•	•
Motor winding	•	•
Motor bearings	o	o
Sealing chamber	–	–
Leakage chamber	•	•
Vibration sensor	–	–
External monitoring devices		
Sealing chamber	o	o

Key: – = not available/possible, o = optional, • = as standard

**All monitoring devices fitted must be connected at all times!**

##### **Monitoring the terminal room and motor compartment**

The terminal room and motor compartment monitoring protects the motor terminals and winding from short-circuits. An electrode in both the terminal room and the motor compartment measures the moisture content.

**Monitoring of motor winding**

The thermal motor monitoring protects the motor winding from overheating. Temperature limiter with PTC sensor is fitted.

**External monitoring of the sealing chamber**

The sealing chamber can be equipped with an external pencil electrode. The electrode registers fluid ingress through the mechanical seal on the fluid side. An alarm or deactivation of the pump can therefore take place through the pump control.

**Leakage chamber monitoring**

The leakage chamber is equipped with a float switch. The float switch registers fluid ingress through the mechanical seal on the motor side. An alarm or deactivation of the pump can therefore take place through the pump control.

**Monitoring of motor bearing**

The thermal monitoring of the motor bearing protects the roller bearings against overheating. Pt100 sensors are used for temperature measurement.

**4.3 Operating modes****Operating mode S1: Continuous duty**

The pump can operate continuously at the rated load without exceeding the permissible temperature.

**Operating mode: Non-immersed operation**

The "non-immersed operation" operating mode describes the possibility of the motor emerging during the drainage pumping sequence. This allows a further lowering of the water level as far as the upper edge of the hydraulics. Observe the following points during non-immersed operation:

- Operating mode: Continuous duty (S1).
- Max. fluid and ambient temperature: The max. ambient temperature corresponds to the max. fluid temperature shown on the rating plate.

**4.4 Operation with frequency converter**

Operation on the frequency converter is permitted. Refer to the appendix for the relevant requirements!

**4.5 Operation in an explosive atmosphere**

	HC 20.1	HC 20.1 ...-E3
ATEX approval	o	o
FM approval	o	–
CSA-Ex approval	–	–

Key: – = not available/possible, o = optional, • = as standard

For use in explosive atmospheres, the pump must be marked as follows on the rating plate:

- "Ex" symbol for the relevant approval
- Ex classification

**For the relevant requirements, refer to the explosion protection chapter in the appendix of these installation and operating instructions!**

**ATEX approval**

The pumps are suitable for operation in potentially explosive atmospheres:

- Device group: II
- Category: 2, zone 1 and zone 2

**These pumps must not be used in zone 0!**

**FM approval**

The pumps are suitable for operation in potentially explosive atmospheres:

- Protection class: Explosionproof
- Category: Class I, Division 1

Notice: If the cabling is carried out according to Division 1, installation in Class I, Division 2 is also permitted.

#### 4.6 Rating plate

The following is an overview of the abbreviations and associated data on the rating plate:

Rating plate designation	Value
P-Typ	Pump type
M-Typ	Motor type
S/N	Serial number
Art.-No.	Article number
MFY	Date of manufacture*
$Q_N$	Volume flow duty point
$Q_{max}$	Max. volume flow
$H_N$	Delivery head duty point
$H_{max}$	Max. delivery head
$H_{min}$	Min. delivery head
n	Speed
T	Max. fluid temperature
IP	Protection class
I	Rated current
$I_{ST}$	Starting current
$I_{SF}$	Rated current at service factor
$P_1$	Power consumption
$P_2$	Rated power
U	Rated voltage
f	Frequency
$\cos \varphi$	Motor efficiency
SF	Service factor
$OT_S$	Operating mode: immersed
$OT_E$	Operating mode: non-immersed
AT	Starting mode
$IM_{org}$	Impeller diameter: original
$IM_{korr}$	Impeller diameter: corrected

\*The date of manufacture is given according to ISO 8601: JJJJWww

- JJJJ = Year
- W = Abbreviation for week
- ww = Specified calendar week

#### 4.7 Type key

Example: Wilo-EMU FA 10.82E + HC 20.1-4/22KEx-E3  
 Wilo-Rexa SUPRA-V10-736A + HC 20.1-4/22KEx-E3  
 Wilo-Rexa SOLID-Q10-345A + HC 20.1-4/22KEx-E3

##### Hydraulics type key "EMU FA"

FA	Sewage pump
10	x10 = nominal diameter of pressure connection
82	Internal performance coefficient
E	Impeller shape: W = vortex impeller

Example: Wilo-EMU FA 10.82E + HC 20.1-4/22KEx-E3  
 Wilo-Rexa SUPRA-V10-736A + HC 20.1-4/22KEx-E3  
 Wilo-Rexa SOLID-Q10-345A + HC 20.1-4/22KEx-E3

E = single-channel impeller  
 Z = two-channel impeller  
 D = three-channel impeller  
 V = four-channel impeller  
 T = closed two-channel impeller  
 G = semi-open single-channel impeller

#### Hydraulics type key "Rexa SUPRA"

SUPRA	Sewage pump
V	Impeller shape: V = vortex impeller C = single-channel impeller M = multi-channel impeller
10	x10 = nominal diameter of pressure connection
73	Internal performance coefficient
6	Pump curve number
A	Material version: A = standard version B = corrosion protection 1 D = abrasion protection 1 X = special configuration

#### Hydraulics type key "Rexa SOLID"

SOLID	Sewage pump with SOLID impeller
Q	Impeller shape: T = closed two-channel impeller G = semi-open single-channel impeller Q = semi-open two-channel impeller
10	x10 = nominal diameter of pressure connection
34	Internal performance coefficient
5	Pump curve number
A	Material version: A = standard version B = corrosion protection 1 D = abrasion protection 1 X = special configuration

#### Motor type key

HC	Self-cooling motor with separate cooling circuit
20	Size
1	Internal code figure
4	Number of poles
22	Package length in cm
K	Seal version
Ex	With Ex approval
E3	IE-efficiency class (derived from IEC 60034-30)

#### 4.8 Scope of delivery

- Pump with free cable end
- Cable length per customer request
- Mounted accessories, e.g. external pencil electrode, pump foot, etc.
- Installation and operating instructions

#### 4.9 Accessories

- Guide system



- Pump foot
- Special versions with Ceram coatings or special materials
- External pencil electrode for sealing chamber control
- Level controls
- Fixing accessories and chains
- Switchgears, relays, and plugs

## 5 Transport and storage

### 5.1 Delivery

Following receipt of the shipment the shipment must be immediately checked for defects (damage, completeness). Any existing defects must be noted on the freight documentation! Furthermore, the defects must be reported to the transport company or manufacturer on the date of receipt. Claims reported after this date can no longer be invoked.

### 5.2 Transport

#### WARNING



#### Standing under suspended loads!

People must not stand under suspended loads! There is a risk of (serious) injury due to falling parts. The load must not be moved over the work areas in which people are present!

#### WARNING



#### Head and foot injuries due to a lack of protective equipment!

During work there is a risk of (serious) injury. Wear the following protective equipment:

- Safety shoes
- If lifting equipment is used, a protective helmet must also be worn.

#### NOTICE

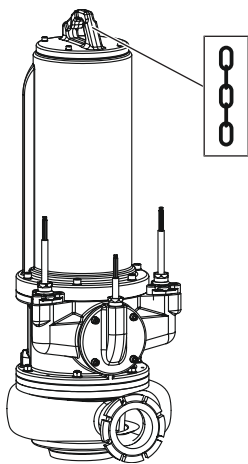


#### Use only technically faultless lifting equipment!

Use only technically faultless lifting equipment to lift and lower the pump. Make sure that the pump does not jam during lifting and lowering. Do **not** exceed the maximum bearing capacity of the lifting equipment! Check that lifting equipment is functioning properly before use!

To protect the pump from damage during transport, only remove the outer packaging at the operation site. Pack used pumps for shipping in tear-proof plastic bags of sufficient size so that they are leakproof.

Furthermore, observe the following points:



- Adhere to national safety regulations.
- Use legally specified and permitted lifting gear.
- Select lifting gear according to the present conditions (weather, attachment point, load etc.).
- Only attach lifting gear to attachment points. The fixation must be made with a shackle.
- Use lifting equipment with sufficient bearing capacity.
- The standard safety of the lifting equipment must be guaranteed during application.
- When using lifting equipment, get a second person to coordinate the procedure if necessary (e.g. view blocked).

Fig. 2: Attachment point

### 5.3 Storage

#### DANGER



##### **Danger due to fluids which are hazardous to health!**

When the pump is used in fluids which are hazardous to health, decontaminate the pump after removal and before all work! There is a risk of fatal injury! Observe information from the work regulations! The operator must ensure that the personnel have received and read the work regulations!

#### WARNING



##### **Sharp edges on the impeller and suction port!**

Sharp edges can form on the impeller and suction port. There is a danger of limbs being severed! Protective gloves must be worn against cutting injuries.

#### CAUTION

##### **Total loss due to moisture penetration**

Moisture penetration in the power supply cable damages the power supply cable and the pump! Never immerse the end of the power supply cable in a liquid and tightly seal during storage.

Newly delivered pumps can be stored for a year. Regarding storage for more than one year contact customer service.

Observe the following points regarding storage:

- Place the pump upright (vertical) on a firm bearing surface and **secure it against slipping and falling over!**
- The max. storage temperature is  $-15\text{ °C}$  to  $+60\text{ °C}$  ( $5\text{ °F}$  to  $140\text{ °F}$ ) at a max. relative humidity of 90 %, non-condensing. Frost-proof storage at a temperature of  $5\text{ °C}$  to  $25\text{ °C}$  ( $41\text{ °F}$  to  $77\text{ °F}$ ) with relative humidity of 40 % to 50 % is recommended.
- Do not store the pumps in rooms in which welding works are carried out. The resulting gases or radiations could corrode the elastomer parts and coatings.
- Tightly seal suction and pressure connection.
- Protect power supply cable against kinking and damage.
- Protect pump from direct sunlight and heat. Extreme heat may lead to damage to the impellers and coating!

- Rotate the impellers by 180° at regular intervals (3 – 6 months). This prevents jamming of the bearings and it renews the film of lubrication on the mechanical seal. **WARNING! There is a danger of injury due to sharp edges on the impeller and suction port!**
- The elastomer parts and coatings become brittle over time. When stored for more than 6 months, customer service must be consulted.

Following storage, clean the dust and oil from the pump and check the coating for damage. Repair damaged coatings before further use.

## 6 Installation and electrical connection

### 6.1 Personnel qualifications

- Electrical work: A qualified electrician must carry out the electrical work.
- Installation-/dismantling work: The technician must be trained to handle the necessary tools and required fastening materials for the present building site.

### 6.2 Installation methods

- Vertical stationary wet well installation with guide system
- Vertical portable wet well installation with pump foot
- Vertical stationary dry well installation

The following installation methods are **not** permissible:

- Horizontal installation

### 6.3 Operator's obligations

- Locally applicable accident prevention and trade association safety provisions must be observed.
- Observe all regulations for working with and underneath heavy suspended loads.
- Make available protective equipment and ensure that the personnel wear the protective equipment.
- Observe the local regulations of sewage technology for the operation of sewage systems.
- Avoid pressure surges!  
Pressure surges may arise in long discharge pipes with pronounced route profile. These pressure surges could lead to pump destruction!
- Depending on the operating conditions and the pump chamber size ensure the cooling time of the motor.
- To allow the product to be fixed securely and functionally, the structural components and foundations must be of sufficient stability. The operator is responsible for the provision and suitability of the structural components and foundations!
- Check that the available consulting documents (installation plans, layout of the operating space, intake ratios) are complete and correct.

### 6.4 Installation

#### DANGER



#### Risk of fatal injury due to dangerous lone working practices!

Working in pump chambers and tight spaces as well as working where there is a danger of falling is dangerous work. This work must not be carried out alone! A second person must be present for safety reasons.

#### WARNING



#### Hand and foot injuries due to a lack of protective equipment!

During work there is a risk of (serious) injury. Wear the following protective equipment:

- Safety gloves that protect against cuts
- Safety shoes
- If lifting equipment is used, a protective helmet must also be worn.

## NOTICE

**Use only technically faultless lifting equipment!**

Use only technically faultless lifting equipment to lift and lower the pump. Make sure that the pump does not jam during lifting and lowering. Do **not** exceed the maximum bearing capacity of the lifting equipment! Check that lifting equipment is functioning properly before use!

- Prepare operating space/installation site as follows:
  - Clean, cleaned of coarse solids
  - Dry well
  - Frost-free
  - Decontaminated
- If toxic or suffocating gases build up, immediately take countermeasures!
- Attach the lifting gear to the attachment point using a shackle. Only use technically approved lifting gear.
- Use lifting gear for lifting, lowering and transporting the pump. Never pull the pump by the power supply cable!
- Lifting equipment must be safely installed. The storage location as well as the operating space/installation site must be accessible with the lifting equipment. The storage location must have a firm surface.
- The routed power supply cables must allow safe operation. Check whether the cable cross section and the cable length are sufficient for the selected installation type.
- When using switchgear, the corresponding IP class must be observed. Install switchgear in a manner that is overflow-proof and outside potentially explosive areas!
- Avoid air intake into the fluid, use guide or deflector plates for the inlet. Entrained air can collect in the pipe system and lead to impermissible operating conditions. Eliminate air pockets via the ventilation system!
- Dry running of the pump is forbidden! Avoid air pockets in the hydraulics housing or in the pipe system. Never fall below minimum water level. The installation of a dry-running protection is recommended!

#### 6.4.1 Instructions for double pump operation

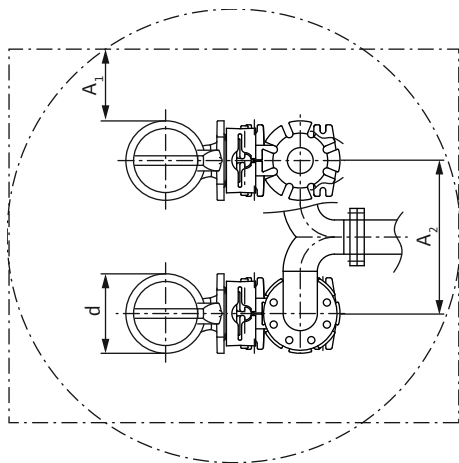


Fig. 3: Minimum distances

If several pumps are used in an operating space, minimum distances between the pumps and the wall must be complied with. Here there is a difference in the distances depending on the type of system: Alternating operation or parallel operation.

d	Diameter of the hydraulics housing
A <sub>1</sub>	Minimum distance from the wall: <ul style="list-style-type: none"> <li>– alternating operation: min. <math>0.3 \times d</math></li> <li>– parallel operation: min. <math>1 \times d</math></li> </ul>
A <sub>2</sub>	Distance discharge pipes <ul style="list-style-type: none"> <li>– alternating operation: min. <math>1.5 \times d</math></li> <li>– parallel operation: min. <math>2 \times d</math></li> </ul>

#### 6.4.2 Maintenance work

After a storage period of more than 6 months, carry out the following maintenance tasks before installation:

- Rotate the impeller.
- Check the oil in the sealing chamber.
- Check the coolant.

### 6.4.2.1 Rotate impeller

#### WARNING



#### Sharp edges on the impeller and suction port!

Sharp edges can form on the impeller and suction port. There is a danger of limbs being severed! Protective gloves must be worn against cutting injuries.

- ✓ Pump is **not** connected to the power supply!
  - ✓ Protective equipment has been put on!
1. Place the pump upright on a firm surface. **WARNING! Danger of crushing hands. Make sure that the pump cannot fall over or slip away!**
  2. Carefully and slowly reach into the hydraulics housing through the pressure port and rotate the impeller.

### 6.4.2.2 Check the coolant

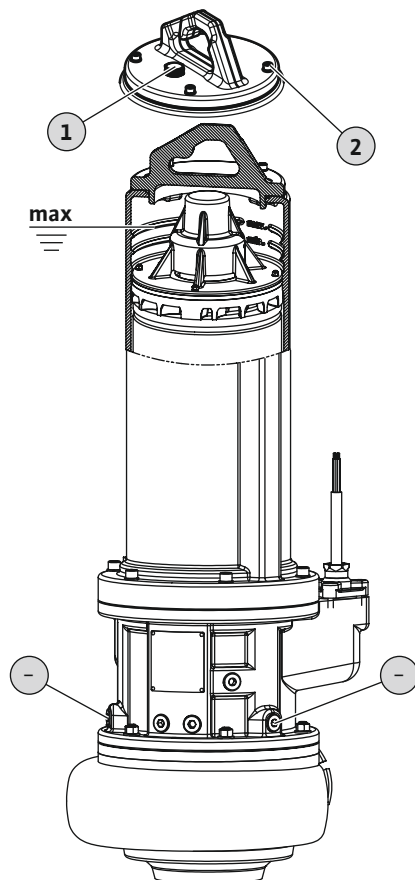


Fig. 4: Check the coolant

1	Overpressure valve
2	Interior hexagonal head screw for motor cover fixation
-	Drain the coolant

- ✓ Pump is **not** installed.

- ✓ Pump is **not** connected to the mains.

- ✓ Protective equipment must be put on!

1. Place the pump on a firm surface in a vertical position. **WARNING! Risk of hands being crushed. Make sure that the pump can not fall over or slip!**
2. Position a suitable tank to collect the operating fluid.
3. To vent possible overpressure, unscrew the overpressure valve by around 3-4 turns. **CAUTION! Do not unscrew the overpressure valve completely!**
4. Once the overpressure has vented, screw the overpressure valve back in. **Max. tightening torque: 55 Nm (40.5 ft·lb)!**
5. Unscrew the interior hexagonal head screws on the motor cover diametrically opposite.
6. Remove the motor cover.
7. Two marks are worked into the inside of the housing. The operating fluid must reach the upper "max." mark. If there is not enough operating fluid, fill the operating fluid up to the marking. Note information on operating fluid type, see chapter "Maintenance and repair".
8. Take a sample of operating fluid using a test pipette.
9. Check the operating fluid:
  - ⇒ If the operating fluid is clear, reuse operating fluid.
  - ⇒ If the operating fluid is contaminated (cloudy/dark), add new operating fluid, see chapter "Maintenance and repair". Dispose of operating fluid in accordance with local regulations!
  - ⇒ Notify customer service if the operating fluid contains metal swarf!
10. Clean the motor cover and renew the O-ring.
11. Place the motor cover on the motor housing and re-tighten the interior hexagonal head screws. **Max. tightening torque: see appendix!**

### 6.4.2.3 Checking the oil in the sealing chamber

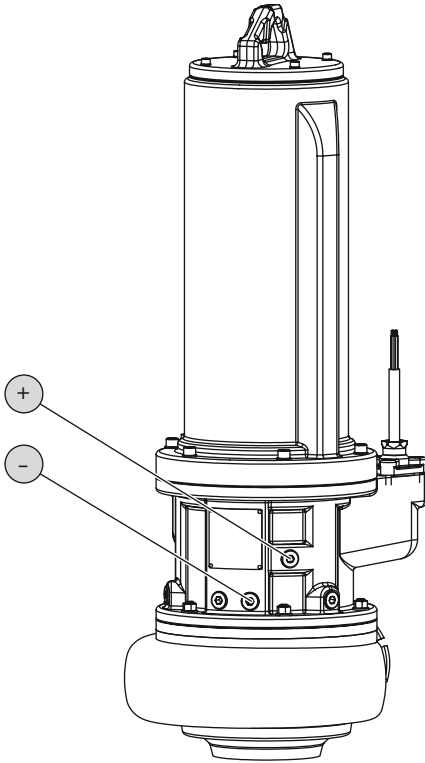


Fig. 5: Sealing chamber: Check oil

+	Add the oil to the sealing chamber
-	Drain the oil in the sealing chamber

- ✓ Pump is **not** built-in.
  - ✓ Pump is **not** connected to the power supply.
  - ✓ Protective equipment has been put on!
1. Place the pump upright on a firm surface. **WARNING! Risk of hands being crushed. Make sure that the pump cannot fall over or slip!**
  2. Place a suitable tank to collect the operating fluid.
  3. Unscrew the screw plug (+).
  4. Unscrew screw plug (-) and allow the operating fluid to drain out. If a shut-off ball cock is installed on the outlet opening, open the shut-off ball cock.
  5. Check operating fluid:
    - ⇒ When the operating fluid is clear, re-use the operating fluid.
    - ⇒ If the operating fluid is contaminated (black), pour in new operating fluid. Dispose of operating fluids according to the local regulations!
    - ⇒ If there are metal filings in the operating fluid, inform customer service!
  6. If a shut-off ball cock is installed on the outlet opening, close the shut-off ball cock.
  7. Clean the screw plug (-), replace the seal ring and screw it back in. **Max. tightening torque: 8 Nm (5.9 ft·lb)!**
  8. Pour the new operating fluid in through the hole for the screw plug (+).
    - ⇒ Adhere to the information for operating fluid type and quantity! When re-using operating fluid, the quantity must also be checked and adjusted, if necessary!
  9. Clean the screw plug (+), replace the seal ring and screw it back in. **Max. tightening torque: 8 Nm (5.9 ft·lb)!**

### 6.4.3 Stationary wet well installation

#### NOTICE



#### Pumping problems due to water level being too low

If the fluid is lowered too much, separation of the volume flow may occur. Furthermore, air cushions may form in the hydraulic system, resulting in undesirable behavior during operation. The minimum permissible water level must reach up to the upper edge of the hydraulics housing!

For wet well installation the pump is installed in the fluid. For this purpose a guide system must be installed in the pump chamber. On the pressure side, the on-site pipe system is connected to the guide system and on the suction side to the pump. The connected pipe system must be self-supporting. The guide system must **not** support the pipe system!

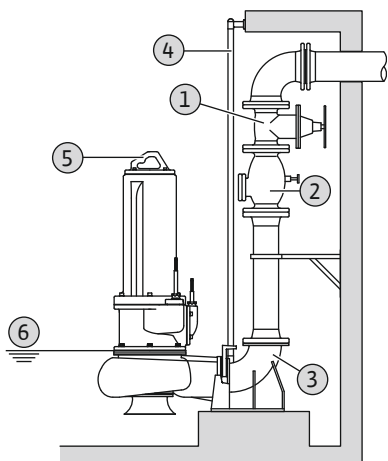


Fig. 6: Wet well installation, stationary

### Work steps

1	Gate valve
2	Non-return valve
3	Guide system
4	Guide pipes (provided by the customer)
5	Attachment point for lifting equipment
6	Minimum water level

- ✓ Operating space/installation site is prepared for installation.
  - ✓ Guide system and pipe system have been installed.
  - ✓ Pump is prepared for operation on the guide system.
1. Attach lifting equipment to the attachment point of the pump with a shackle.
  2. Raise pump, guide over the pump chamber opening and slowly lower the guide claws onto the guide pipes.
  3. Lower the pump until the pump is mounted on the guide system and is automatically coupled. **CAUTION! When lowering the pump, hold the power supply cables slightly taut!**
  4. Loosen the lifting equipment from the lifting gear and secure it at the chamber outlet against falling.
  5. Have the power supply cables routed into the chamber by a qualified electrician and route it outside properly from the chamber.
- Pump is installed, the qualified electrician can carry out the electrical connection.

#### 6.4.4 Portable wet well installation

### WARNING



#### Danger of burning due to hot surfaces!

The motor housing can get hot during operation. It can lead to burns. Allow the pump to cool down to ambient temperature after switching off!

### WARNING



#### Separation of the pressure hose!

Separation or movement of the pressure hose can result in (serious) injuries. Attach pressure hose securely to the outlet! Prevent buckling of the pressure hose.

### NOTICE



#### Pumping problems due to water level being too low

If the fluid is lowered too much, separation of the volume flow may occur. Furthermore, air cushions may form in the hydraulic system, resulting in undesirable behavior during operation. The minimum permissible water level must reach up to the upper edge of the hydraulics housing!

For portable installation, the pump must be equipped with a foot. The pump support foot ensures the minimum ground clearance in the suction area and allows secure footing on a firm foundation. Thus in this installation type, any positioning in the operating space/installation site is possible. To prevent sinking on soft surfaces, a hard base must be used at the installation site. A pressure hose is connected on the pressure side. If operated for longer periods of time, fix the pump firmly to floor. This prevents vibration and ensures quiet running and low wear.

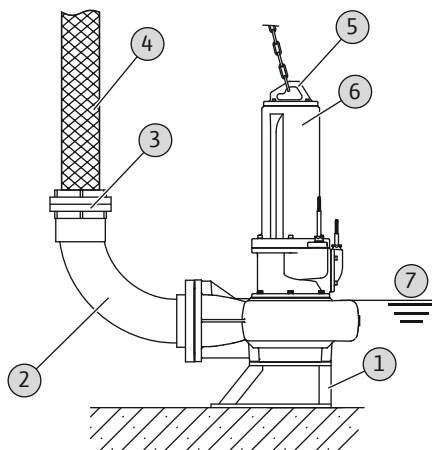


Fig. 7: Wet well installation, portable

### Work steps

1	Pump foot
2	Pipe elbow
3	Storz coupling
4	Pressure hose
5	Lifting equipment
6	Attachment point for lifting equipment
7	Minimum water level

- ✓ Pump foot mounted.
- ✓ Pressure connection prepared: Pipe elbow mounted with hose connection or pipe elbow with Storz coupling.
  1. Attach lifting equipment to the attachment point of the pump with a shackle.
  2. Raise pump and set down on the intended work place (pump chamber, pit).
  3. Place pump on a firm foundation. **CAUTION! Sinking must be prevented!**
  4. Lay the pressure hose and fasten it to a certain point (e.g. drainage). **DANGER! Separation or movement of the pressure hose can lead to (serious) injury! Attach pressure hose securely to the outlet.**
  5. Correctly route power supply cable. **CAUTION! Do not damage power supply cable!**
    - ▶ Pump is installed, the qualified electrician can carry out the electrical connection.

#### 6.4.5 Stationary dry well installation

### NOTICE



#### Pumping problems due to water level being too low

If the fluid is lowered too much, separation of the volume flow may occur. Furthermore, air cushions may form in the hydraulic system, resulting in undesirable behavior during operation. The minimum permissible water level must reach up to the upper edge of the hydraulics housing!

In dry well installation, the operating space is divided into the collecting space and the machine room. In the collecting space, the fluid flows and is collected, the pump technology is installed in the machine room. The pump is installed in the machine room and connected to the pipe system on the suction and pressure side. Observe the following points for installation:

- The suction- and pressure-side pipe system must be self-supporting. The pump must not support the pipe system.
- Connect the pump to the pipe system ensuring that it is free of stress and vibrations. The use of elastic connection pieces (compensators) is recommended.
- The pump is not self-priming, in other words, the fluid must flow in either automatically or with supply pressure. The minimum level in the collecting space must be at the same height as the upper edge of the hydraulics housing!
- Max. ambient temperature: 40 °C (104 °F)



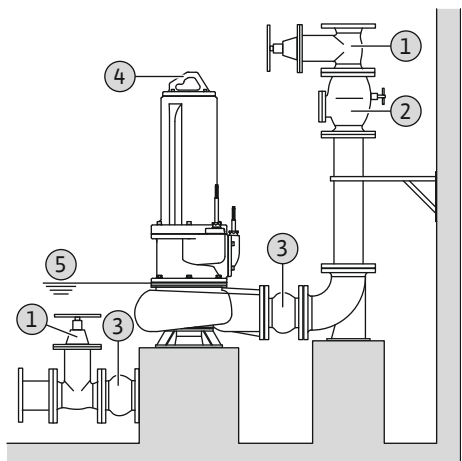


Fig. 8: Dry well installation

**Work steps**

1	Gate valve
2	Non-return valve
3	Compensator
4	Attachment point for lifting equipment
5	Minimum water level in collecting space

- ✓ Machine room/installation location is prepared for the installation.
- ✓ Pipe system has been properly installed and is self-supporting.
  1. Attach lifting equipment to the attachment point of the pump with a shackle.
  2. Lift the pump and position it in the machine room. **CAUTION! Hold the power supply cables slightly taut when positioning the pump!**
  3. Fasten pump to the foundation properly.
  4. Connect pump to the pipe system. **NOTICE! Ensure the connection is free of stress and vibrations. If required, use plastic connection pieces (compensators).**
  5. Loosen the lifting gear from the pump.
  6. Have the power supply cables installed in the machine room by a qualified electrician.
    - ▶ Pump is installed, the qualified electrician can carry out the electrical connection.

**6.4.6 Level control****DANGER****Risk of explosion due to incorrect installation!**

If the level control is installed within a potentially explosive area, the signal transmitter must be connected via an Ex cut-off relay or a Zener barrier. There is a risk of explosion if connected incorrectly! Connection must be carried out by a qualified electrician.

Using a level control device the current fluid levels can be determined and the pump automatically switched on and off depending on the fluid level. The recording of the fluid level is made here by various sensor types (float switches, pressure and ultrasound measurements or electrodes). When using a level control device observe the following points:

- Float switches can move freely!
- The minimal permissible water level must **not** be undercut!
- The maximum switching frequency must **not** be exceeded!
- For strongly fluctuating fluid levels, a level control device with two measuring points is recommended. This means larger differential gaps are reached.

**6.4.7 Dry-running protection**

Dry-running protection must prevent the pump from being operated without fluid and air from penetrating into the hydraulics. To do this the minimum permissible fluid level must be determined using a sensor. As soon as the given limit value is reached, the pump must be deactivated with a corresponding signal. Dry-running protection can expand existing level control devices by an additional measuring point or work as a sole switch-off device. The reactivation of the pump can take place automatically or manually depending on the system security. For optimum operational reliability, the installation of a dry-running protection system is recommended.

**6.5 Electrical connection****DANGER****Electrocution hazard!**

Improper conduct when carrying out electrical work causes death due to electric shock! Electrical work must be carried out by a qualified electrician in accordance with the local regulations.

**DANGER****Risk of explosion due to incorrect connection!**

- Always connect the pump to an electrical outlet outside the explosive area. If the connection must be made within the explosive area, then the connection must be carried out in an Ex-rated housing (ignition protection class according to DIN EN 60079-0)! Non-observance may lead to fatal injury due to explosion!
- Connect the potential compensator to the ground terminal indicated. The ground terminal is installed in the area of the power supply cable. A cable cross-section in accordance with the locally applicable regulations must be used for the potential compensator.
- Connection must always be carried out by a qualified electrician.
- For the electrical connection, also note the additional information in the chapter on potentially explosive areas found in the appendix of these installation and operating instructions!

- 
- The mains connection must match the specifications on the rating plate.
  - Power supply on the mains side for three-phase current motors with clockwise rotating field.
  - Lay the connection cable in accordance with the locally applicable regulations and connect it according to the wire assignment.
  - Connect monitoring devices and check function.
  - Carry out earthing properly according to the local regulations.

**6.5.1 Line-side fuse protection*****Circuit breaker***

The size and switching characteristics of the circuit breakers must conform to the rated current of the product connected. Observe the locally applicable regulations.

***Motor protection switch***

For products supplied without a plug, a motor protection switch must be installed on-site. The minimum requirement is a thermal relay/motor protection switch with temperature compensation, differential triggering and an anti-reactivation device, in accordance with local regulations. Further protection devices (e.g. overvoltage, undervoltage, or phase-failure relay etc.) must be provided on-site for sensitive power supplies.

***Residual-current device (RCD)***

Adhere to the regulations of the local energy supply company! We recommend using a residual-current device (RCD).

If persons come into contact with the product and conductive liquids, secure connection **with** a residual-current device (RCD).

**6.5.2 Maintenance work**

Before installation carry out the following maintenance work:

- Check insulation resistance of the motor winding.
- Check resistor in the temperature sensor.
- Test the resistor of the pencil electrode (optionally available).

If the measured values differ from the specifications:

- Moisture may have penetrated into the motor or the connection cable.
- The monitoring device may be defective.

In case of failure contact customer service.

**6.5.2.1 Checking insulation resistance of the motor winding**

Measure insulation resistance with an insulation tester (measuring voltage = 1000 V). Adhere to the following values:

- On initial commissioning: insulation resistance may not be less than 20 MΩ.
- For further measurements: value must be larger than 2 MΩ.

### 6.5.2.2 Checking resistor in the temperature sensor

Measure the resistor of the temperature sensors with an ohmmeter. The following measured values must be complied with:

- **PTC sensor** (PTC thermistor): Measured value depends on the number of sensors installed. A PTC sensor has a cold resistance range of 20 to 100 ohms.
  - With **three** sensors in series, the measured value range is from 60 to 300 ohms.
  - With **four** sensors in series, the measured value range is from 80 to 400 ohms.
- **Pt100 sensor**: Pt100 sensors have a resistance value of 100 ohms at 0 °C (32 °F). Between 0 °C (32 °F) and 100 °C (212 °F), the resistance increases by 0.385 ohms per 1 °C (1.8 °F) increase.
 

At an ambient temperature of 20 °C (68 °F), the resistance is 107.7 ohms.

### 6.5.2.3 Testing the resistor of the external electrode for sealing chamber control

Measure the resistor of the electrode with an ohmmeter. The measured value must approach "infinity". For values  $\leq 30$  kOhm, there is water in the oil – change the oil!

### 6.5.3 Connection of the three-phase current motor

The three-phase version is supplied with bare cable ends. Connection to the mains is established by connecting the power supply cables in the switchgear. Refer to the attached connection diagram for more precise details regarding the connection. **Electrical connection must always be carried out by a qualified electrician!**

**NOTICE! The individual wires are designated according to the connection diagram. Do not cut the wires! There is no additional assignment between the wiring diagram and connection diagram.**

#### Wiring diagram of the power connections for direct activation

U, V, W	Mains connection
PE (green-yellow)	Ground

#### Wiring diagram of the power connections for star-delta starting

U1, V1, W2	Mains connection (start of winding)
U2, V2, W2	Mains connection (end of winding)
PE (green-yellow)	Ground

### 6.5.4 Connection of the monitoring devices

Refer to the enclosed connection diagram for details regarding the connection and installation of the monitoring devices. **Electrical connection must always be carried out by a qualified electrician!**

**NOTICE! The individual wires are designated according to the connection diagram. Do not cut the wires! There is no additional assignment between the wiring diagram and connection diagram.**

#### DANGER



#### Risk of explosion due to incorrect connection!

If the monitoring devices are not connected correctly, there is a risk of fatal injury due to explosion in potentially explosive areas! Connection must always be carried out by a qualified electrician. If used in potentially explosive areas:

- Connect the thermal motor monitoring via an evaluation relay!
- Deactivation by the temperature limiter must be conducted with an reactivation lock! It must only be possible to restart the unit when the unlock key has been actuated by hand!
- Connect the external electrode (e.g. sealing chamber control) via an evaluation relay with an intrinsically safe circuit!
- Note the additional information in the chapter on potentially explosive areas found in the appendix of these installation and operating instructions!

Overview of possible monitoring devices:

	HC 20.1	HC 20.1 ...-E3
Internal monitoring devices		
Terminal room/motor compartment	•	•
Motor winding	•	•
Motor bearings	o	o
Sealing chamber	–	–
Leakage chamber	•	•
Vibration sensor	–	–
External monitoring devices		
Sealing chamber	o	o

Key: – = not available/possible, o = optional, • = as standard

**All monitoring devices fitted must be connected at all times!**

#### 6.5.4.1 Monitoring of terminal room/motor compartment

Connect the electrodes via an evaluation relay. Relay "NIV 101/A" is recommended for this. The threshold is 30 kOhm.

##### Wiring diagram

DK Electrode connection

#### 6.5.4.2 Monitoring the motor winding

Connect the PTC sensor via an evaluation relay. Relay "CM-MSS" is recommended for this. The threshold is preset.

##### PTC sensor wiring diagram

10, 11 PTC sensor connection

##### Triggering status of temperature limiter

When the threshold is reached, deactivation must take place. **Note the additional information in the chapter on potentially explosive areas found in the appendix!**

#### 6.5.4.3 Leakage chamber monitoring

The float switch is equipped with a potential-free normally closed contact. The switching capacity can be found in the supplied connection diagram.

##### Wiring diagram

K20, K21 Float switch connection

**When the float switch is activated, a warning must be issued or deactivation must take place.**

#### 6.5.4.4 Monitoring of motor bearing

Connect the Pt100 sensor via an evaluation relay. Relay "DGW 2.01G" is recommended for this. The threshold is 100 °C (212 °F).

##### Wiring diagram

T1, T2 Pt100 sensor connection

**When the threshold is reached, deactivation must take place!**

#### 6.5.4.5 Sealing chamber monitoring (external electrode)

Connect the external electrode via an evaluation relay. Relay "NIV 101/A" is recommended for this. The threshold is 30 kOhm.

**Once the threshold is reached, a warning must be output or the unit must be switched off.**

**CAUTION****Connection of the sealing chamber control**

If there is only a warning when the threshold is reached, the pump could be irreparably damaged by water ingress. It is always recommended to switch off the pump!

**Note the additional information in the chapter on potentially explosive areas found in the appendix!**

**6.5.5 Adjustment of the motor protection**

The motor protection must be set depending on the selected activation type.

**6.5.5.1 Direct start-up**

At full load, set the motor protection switch to the rated current (see rating plate). At partial load, it is recommended to set the motor protection switch to 5 % above the measured current in the duty point.

**6.5.5.2 Star-delta activation**

The motor protection setting depends on the installation:

- Motor protection installed in the motor line: Set the motor protection to 0.58 x the rated current.
- Motor protection installed in the power supply cable: Set the motor protection to the rated current.

The maximum start-up time in star connection is 3 seconds.

**6.5.5.3 Soft starter**

At full load, set the motor protection switch to the rated current (see rating plate). At partial load, it is recommended to set the motor protection switch to 5 % above the measured current in the duty point. Furthermore, observe the following points:

- Current consumption must always be lower than the rated current.
- Complete starting and stopping within 30 s.
- To avoid power dissipation, bypass the electronic starter (soft start) once normal operation is reached.

**6.5.6 Operation with frequency converter**

Operation on the frequency converter is permitted. Refer to the appendix for the relevant requirements!

**7 Commissioning****WARNING****Foot injuries due to a lack of protective equipment!**

During work there is a risk of (serious) injury. Wear safety shoes!

**7.1 Personnel qualifications**

- Electrical work: A qualified electrician must carry out the electrical work.
- Operation/control: Operating personnel must be trained in the operating principle of the complete system.

**7.2 Operator's obligations**

- Provision of the 'Installation and operating instructions' at the pump or at a place designated for these.
- Provision of the 'Installation and operating instructions' in the language of the personnel.
- Ensure that all personnel have read and understood the 'Installation and operating instructions'.
- All system safety devices and emergency cut-outs are active and have been checked to ensure that they work properly.
- The pump is suitable for use under the specified operating conditions.

**7.3 Direction of rotation check (three-phase motors only)**

At the factory the pump is checked and set to the correct direction of rotation for a clockwise rotating field. The connection is made according to the information in the "Electrical connection" section.

**Checking the direction of rotation**

A qualified electrician checks the rotating field on the mains connection with a rotating field test device. For the correct direction of rotation, a clockwise rotating field on the mains connection must be present. The pump is **not** approved for operation with a counter-clockwise rotating field! **CAUTION! If the direction of rotation is checked with a test run, adhere to the environmental and operating conditions!**

**Incorrect direction of rotation**

If the direction of rotation is incorrect change the connection as follows:

- For motors in direct starting swap two phases.
- For star-delta activation motors swap the connections of two windings (e.g. U1/V1 and U2/V2).

## 7.4 Operation in an explosive atmosphere

**DANGER****Risk of explosion due to flying sparks in the hydraulics!**

During operation, the hydraulics must be flooded (completely filled with the fluid). If the volume flow is interrupted or the hydraulics emerges, air cushions can form in the hydraulics. If this happens, there is a risk of explosion e.g. flying sparks due to static charge! Dry-running protection must ensure that the pump is deactivated at the appropriate level.

	HC 20.1	HC 20.1 ...-E3
ATEX approval	o	o
FM approval	o	–
CSA-Ex approval	–	–

Key: – = not available/possible, o = optional, • = as standard

For use in explosive atmospheres, the pump must be marked as follows on the rating plate:

- “Ex” symbol for the relevant approval
- Ex classification

**For the relevant requirements, refer to the explosion protection chapter in the appendix of these installation and operating instructions!**

**ATEX approval**

The pumps are suitable for operation in potentially explosive atmospheres:

- Device group: II
- Category: 2, zone 1 and zone 2

**These pumps must not be used in zone 0!**

**FM approval**

The pumps are suitable for operation in potentially explosive atmospheres:

- Protection class: Explosionproof
- Category: Class I, Division 1

Notice: If the cabling is carried out according to Division 1, installation in Class I, Division 2 is also permitted.

## 7.5 Before switching on

Before switching on check the following points:

- Check that the installation has been performed correctly and according to the locally applicable regulations:
  - Pump connected to electrical ground?
  - Has the routing of the power supply cable been checked?
  - Has the electrical connection been carried out in line with the regulations?
  - Are mechanical components correctly attached?
- Check the level control device:

- Can float switches move freely?
- Have switching levels been checked (pump on, pump off, minimum water level)?
- Has additional dry-running protection been installed?
- Check operating conditions:
  - Has the min./max. temperature of the fluid been checked?
  - Has the maximum immersion depth been checked?
  - Has the operating mode depending on the minimum water level been defined?
  - Is the maximum switching frequency being adhered to?
- Check installation site/operating space:
  - Is the pipe system on the pressure side free of deposits?
  - Has the inlet or pump sump been cleaned and is free of deposits?
  - Are all gate valves open?
  - Has the minimum water level been defined and monitored?  
The hydraulics housing must be completely filled with fluid and there must be no air cushions in the hydraulics. **NOTICE! If there is a danger of air cushions in the system, provide suitable venting devices!**

## 7.6 Switching on and off

During the start-up procedure, the rated current is temporarily exceeded. During operation, the rated current must not be exceeded again. **CAUTION! If the pump does not start, immediately switch off the pump. First repair the fault before re-activating the pump!**

Position pumps in portable installation on a firm foundation. Before switching on pumps which have fallen over, make sure to re-position them. In the case of problematic surfaces, tightly screw the pump.

### ***Pumps with bare cable end***

The pump must be switched on and off via a separate operating point (on/off switch, switchgear) provided by the customer.

### ***Pump with attached plug***

- Three-phase current version: After inserting the plug in the socket, the pump is ready for operation. The pump is switched on and off via the ON/OFF switch.

### ***Pump with attached float switch and plug***

- Three-phase current version: After inserting the plug in the socket, the pump is ready for operation. The control of the pump takes place via two switches on the plug:
  - HAND/AUTO: Determining whether the pump is switched on and off directly (HAND) or depending on the fluid level (AUTO).
  - ON/OFF: Switch pump on and off.

## 7.7 During operation

### **DANGER**



#### **Risk of explosion due to overpressure in the hydraulics!**

If the gate valves on the suction and pressure sides are closed during operation, the fluid in the hydraulics housing is heated up by the pumping movement. This heating creates a pressure of several bars in the hydraulics. The pressure can result in the pump exploding! Make sure that all gate valves are open during operation. Open closed gate valves immediately!

### **WARNING**



#### **Amputation of limbs due to rotating components!**

People must be kept out of the pump's working area! There is a risk of (serious) injury due to rotating parts! During activation and operation no persons should be allowed in the working area.

**WARNING****Danger of burning due to hot surfaces!**

The motor housing can get hot during operation. It can lead to burns. Allow the pump to cool down to ambient temperature after switching off!

**NOTICE****Pumping problems due to water level being too low**

If the fluid is lowered too much, separation of the volume flow may occur. Furthermore, air cushions may form in the hydraulic system, resulting in undesirable behavior during operation. The minimum permissible water level must reach up to the upper edge of the hydraulics housing!

During pump operation observe the local regulations on the following subjects:

- Workplace safety
- Accident prevention
- Handling electrical machines

Strictly adhere to the personnel's work plan determined by the operator. All personnel are responsible for adhering to the work plan and regulations!

Due to their design, centrifugal pumps have rotating parts that are easily accessible. Depending on the operating conditions, sharp edges can develop on these parts. **WARNING! This can lead to cuts and limbs may be amputated and severed!** The following points must be checked at regular intervals:

- Operating voltage (+/-10 % of the rated voltage)
- Frequency (+/- 2% of the rated frequency)
- Current consumption between the individual phases (max. 5 %)
- Voltage difference between the individual phases (max. 1 %)
- Maximum switching frequency
- Minimum water submersion depending on the operating mode
- Inlet: no air intake
- Level control device/dry-running protection: Switching point
- Smooth/low-vibration running
- All gate valves opened

**Operation in the limit range**

The pump can briefly be operated in the limit range (max. 15 min/day). During operation in the limit range, expect relatively large deviations from the operating data. **NOTICE! Continuous duty in the limit range is prohibited! The pump is exposed to high wear and there is a greater risk of failure!**

The following parameters apply during operation in the limit range:

- Operating voltage (+/-10 % of the rated voltage)
- Frequency (+3/- 5 % of the rated frequency)
- Current consumption between the individual phases (max. 6 %)
- Voltage difference between the individual phases (max. 2 %)

**8 Decommissioning/removal****8.1 Personnel qualifications**

- Operation/control: Operating personnel must be trained in the operating principle of the complete system.
- Electrical work: A qualified electrician must carry out the electrical work.
- Installation-/dismantling work: The technician must be trained to handle the necessary tools and required fastening materials for the present building site.

**8.2 Operator's obligations**

- Locally applicable accident prevention and trade association safety provisions.
- Observe all regulations for working with and underneath heavy suspended loads.



- Make available the required protective equipment and ensure that the personnel wear the protective equipment.
- Ensure sufficient aeration in closed rooms.
- If toxic or suffocating gases build up, immediately initiate countermeasures!

### 8.3 Decommissioning

During decommissioning the pump is switched off, but remains installed. This ensures that the pump is always ready for operation.

- ✓ In order that the pump is protected from frost and ice, always completely immerse the pump in the fluid.
- ✓ The temperature of the fluid must always be above +3 °C (+37 °F).
  1. Switch off the pump at the operating point.
  2. Secure the operating point against unauthorized switch-on (e.g. seal off the main switch).
    - ▶ The pump is out of service and can now be disassembled.

If the pump remains installed after decommissioning, observe the following points:

- Ensure requirements for decommissioning for the complete time period of decommissioning. If the requirements are not guaranteed, remove the pump following decommissioning!
- In the case of an extended time period of decommissioning, carry out a 5 minute test run (monthly to quarterly) at regular intervals. **CAUTION! Test runs must only take place under the applicable operating conditions. Never run the machine dry! This can result in total failure!**

### 8.4 Removal

#### DANGER



#### Danger due to fluids which are hazardous to health!

When the pump is used in fluids which are hazardous to health, decontaminate the pump after removal and before all work! There is a risk of fatal injury! Observe information from the work regulations! The operator must ensure that the personnel have received and read the work regulations!

#### DANGER



#### Electrocution hazard!

Improper conduct when carrying out electrical work causes death due to electric shock! Electrical work must be carried out by a qualified electrician in accordance with the local regulations.

#### DANGER



#### Risk of fatal injury due to dangerous lone working practices!

Working in pump chambers and tight spaces as well as working where there is a danger of falling is dangerous work. This work must not be carried out alone! A second person must be present for safety reasons.

#### WARNING



#### Danger of burning due to hot surfaces!

The motor housing can get hot during operation. It can lead to burns. Allow the pump to cool down to ambient temperature after switching off!

## NOTICE

**Use only technically faultless lifting equipment!**

Use only technically faultless lifting equipment to lift and lower the pump. Make sure that the pump does not jam during lifting and lowering. Do **not** exceed the maximum bearing capacity of the lifting equipment! Check that lifting equipment is functioning properly before use!

**8.4.1 Stationary wet well installation**

- ✓ Pump decommissioned.
- ✓ Gate valve on inlet and pressure side closed.
  1. Disconnect pump from power supply.
  2. Attach lifting equipment to attachment point. **CAUTION! Never pull on the power supply cable! Doing so will damage the power supply cable!**
  3. Slowly raise the pump and lift it over the guide pipes out of the operating space. **CAUTION! The power supply cable can be damaged when lifting! During lifting, hold the power supply cables slightly taut!**
  4. Thoroughly clean the pump (see point “Cleaning and disinfecting”). **DANGER! When using the pump in fluids which are dangerous to health, disinfect the pump!**

**8.4.2 Portable wet well installation**

- ✓ Pump decommissioned.
  1. Disconnect pump from power supply.
  2. Roll up the power supply cable and lay over the motor housing. **CAUTION! Never pull on the power supply cable! Doing so will damage the power supply cable!**
  3. Loosen the pressure pipe from the discharge port.
  4. Attach lifting equipment to attachment points.
  5. Lift pump out of the operating space. **CAUTION! The power supply cable can be crushed and damaged when setting down! When setting down the pump, be mindful of the power supply cables!**
  6. Thoroughly clean the pump (see point “Cleaning and disinfecting”). **DANGER! When using the pump in fluids which are dangerous to health, disinfect the pump!**

**8.4.3 Stationary dry well installation**

- ✓ Pump decommissioned.
- ✓ Gate valve on inlet and pressure side closed.
  1. Disconnect pump from power supply.
  2. Roll up the power supply cable and attach to the motor. **CAUTION! Do not damage the power supply cable when attaching! Pay attention to crushing and cable breakage.**
  3. Loosen the pipe system from the suction and discharge port. **DANGER! Fluids hazardous to health! Residues from the pumped fluid may still be present in the piping and hydraulics! Place collector tank, immediately wipe up drips and dispose of fluids properly.**
  4. Attach lifting equipment to attachment points.
  5. Loosen the pump from the foundation.
  6. Lift the pump slowly out of the pipework and place on a suitable set-down location. **CAUTION! The power supply cable can be crushed and damaged when setting down! When setting down the pump, be mindful of the power supply cables!**
  7. Thoroughly clean the pump (see point “Cleaning and disinfecting”). **DANGER! When using the pump in fluids which are dangerous to health, disinfect the pump!**

#### 8.4.4 Clean and disinfect

### DANGER



#### Danger due to fluids which are hazardous to health!

When the pump is used in fluids which are hazardous to health there is a danger to life! Decontaminate pump before all further activity! Wear the following protective equipment during cleaning:

- Closed safety goggles
- Breathing mask
- Protective gloves

⇒ The listed equipment is the minimum requirement, observe the information from the work regulations! The operator must ensure that the personnel have received and read the work regulations!

- ✓ Pump is dismantled.
- ✓ Contaminated cleaning water is disposed of in the sewer in accordance with local regulations.
- ✓ A disinfectant is provided for contaminated pumps.
  1. Attach the lifting equipment to the attachment point of the pump.
  2. Lift the pump approximately 30 cm (10 in) above the ground.
  3. Spray the pump with clear water from top to bottom. **NOTICE! An appropriate disinfectant must be used for contaminated pumps! Strictly observe the manufacturer's specifications concerning use!**
  4. To clean the impeller and the pump interior, guide the water jet inside via the pressure port.
  5. Flush all dirt residue onto the floor of the channel.
  6. Allow the pump to dry out.

## 9 Maintenance and repair

### DANGER



#### Danger due to fluids which are hazardous to health!

When the pump is used in fluids which are hazardous to health, decontaminate the pump after removal and before all work! There is a risk of fatal injury! Observe information from the work regulations! The operator must ensure that the personnel have received and read the work regulations!

### NOTICE



#### Use only technically faultless lifting equipment!

Use only technically faultless lifting equipment to lift and lower the pump. Make sure that the pump does not jam during lifting and lowering. Do **not** exceed the maximum bearing capacity of the lifting equipment! Check that lifting equipment is functioning properly before use!

- Always carry out maintenance work in a clean place with good lighting. The pump must be safely set down and secured.
- Only perform maintenance work which is described in these 'Installation and operating instructions'.
- During maintenance work wear the following protective equipment:

- Safety goggles
- Safety shoes
- Safety gloves

### 9.1 Personnel qualifications

- Electrical work: A qualified electrician must carry out the electrical work.
- Maintenance work: The technician must be familiar with the use of operating fluids and their disposal. Furthermore, the technician must have basic knowledge of engineering.

### 9.2 Operator's obligations

- Make available the required protective equipment and ensure that the personnel wear the protective equipment.
- Collect operating fluid in suitable tanks and dispose of properly.
- Properly dispose of used protective clothing.
- Use only genuine parts from the manufacturer. The use of parts other than original parts absolves the manufacturer of any liability.
- Immediately clean up leakage from the fluid and operating fluid and dispose of according to the locally applicable guidelines.
- Make available required tools.
- If flammable solvents and cleaning agents are used, naked flames and smoking are prohibited.

### 9.3 Operating fluids

#### 9.3.1 Coolant P35

The coolant P35, is a water-glycol mixture consisting of 35 % "Fragol Zitrec FC" concentrate and 65 % demineralized/distilled water. To top up or fill the cooling system, it is only permitted for the named concentrates to be used at the specified ratios.

#### CAUTION

##### Damage to the motor due to incorrect concentrate or mixing ratio!

The motor may be destroyed if other concentrates are used! If the mixing ratio differs, this means that frost and corrosion protection is not guaranteed! Use only the concentrates listed in the ratio 35:65.

Concentrate	Fragol Zitrec FC	Pekasol L	Propylene glycol <sup>2)</sup>
Status	Currently used	Alternative	Alternative

#### Technical data

Basic	Propane-1,2-diol		
Color	Colorless	Yellowish	Colorless
Degree of purity	96 %	–	98 %
Density	1.051 g/ml (8.771 lb/US.liq.gal.)	1.050 g/cm <sup>3</sup> (8.762 lb/US.liq.gal.)	1.051 g/ml (8.771 lb/US.liq.gal.)
Boiling point	164 °C (327 °F)	185 °C (365 °F)	188 °C (370 °F)
pH value	9.9	7.5 – 9.5	–
Water	max. 5 %	–	0.20 %
Nitrite-free	•	•	•
Amine-free	•	•	•
Phosphate-free	•	•	•
Silicate-free	•	•	•

#### Approvals

Water-polluting class <sup>1)</sup>	1	1	1
FDA	•	–	–
HT1	•	–	–
Afssa	•	–	–

<sup>1)</sup> in accordance with VwVwS 1999. When disposing of these media, comply with the corresponding local guidelines for propanediol and propylene glycol!

<sup>2)</sup> Suitable for medical applications

### 9.3.2 Oil types

Medicinal white oil is filled into the sealing chamber ex-factory. When changing the oil, the following oil types are recommended:

- Aral Autin PL\*
- Shell ONDINA 919
- Esso MARCOL 52\* or 82\*
- BP WHITEMORE WOM 14\*
- Texaco Pharmaceutical 30\* or 40\*

All oil types marked with "\*" are approved for use with foods in accordance with "USDA-H1".

### 9.3.3 Lubricant grease

Use the following greases:

- Esso Unirex N3
- Tripol Molub-Alloy-Food Proof 823 FM (with "USDA-H1" approval)

### 9.3.4 Filling quantities

Refer to the supplied configuration for the filling quantities.

## 9.4 Maintenance intervals

To ensure reliable operation, maintenance work must be carried out regularly. Depending on the real environmental conditions, contractually differing maintenance intervals can be specified! If strong vibrations occur during operation, the pump or installation must be checked regardless of the specified maintenance intervals.

### 9.4.1 Maintenance intervals for normal conditions

#### **8000 operating hours or after 2 years at the latest**

- Visual inspection of the connection cable
- Conduct visual inspection of accessories
- Visual inspection of the coating and housing for wear
- Function test of monitoring devices
- Draining the leakage chamber
- Coolant change
- Sealing chamber oil change

**NOTICE! If a sealing chamber control is installed, the oil is changed according to the indicator!**

#### **15000 operating hours or after 10 years at the latest**

- General overhaul

### 9.4.2 Maintenance intervals under harsh conditions

Under harsh operating conditions, the specified maintenance intervals must be shortened, if necessary. Harsh operating conditions include:

- Fluids with long-stranded components
- Turbulent intake (e.g. due to air intake, cavitation)
- Highly corrosive or abrasive fluids
- Highly gaseous fluids
- Operation at an unfavorable duty point
- Pressure surges

If using the pump under harsh conditions, signing a maintenance contract is recommended. Please contact the customer service.

## 9.5 Maintenance measures

### WARNING



#### **Sharp edges on the impeller and suction port!**

Sharp edges can form on the impeller and suction port. There is a danger of limbs being severed! Protective gloves must be worn against cutting injuries.

**WARNING****Hand, foot or eye injuries due to a lack of protective equipment!**

During work there is a risk of (serious) injury. Wear the following protective equipment:

- Safety gloves that protect against cuts
- Safety shoes
- Closed safety goggles

Before starting the maintenance measures the following requirements must be fulfilled:

- Pump cooled to ambient temperature.
- Pump thoroughly cleaned and (if necessary) disinfected.

**9.5.1 Visual inspection of the connection cable**

Check the connection cable for:

- Bubbles
- Cracks
- Scratches
- Abrasion
- Pinch points

If damage is identified on the connection cable, decommission the pump immediately! Have the connection cable replaced by Wilo customer service. Only start the pump up again once the damage has been properly remedied!

**CAUTION! Due to damaged connection cables, water can penetrate into the pump! Water ingress causes total breakdown of the pump.**

**9.5.2 Visual inspection of accessories**

The accessories must be checked for:

- Correct attachment
- Proper function
- Signs of wear, e.g. cracks caused by vibrations

Any detected defects must be repaired immediately or the accessories must be replaced.

**9.5.3 Visual inspection of coatings and housing for wear**

The coatings and housing parts must not show any signs of damage. If deficiencies are identified, the following points must be observed:

- If the coating is damaged, the coating must be repaired.
- Contact customer service if housing components are worn!

**9.5.4 Function test of the monitoring devices**

The mixer must be cooled down to ambient temperature to test resistances!

**9.5.4.1 Test the resistor for the internal electrodes for terminal room/motor compartment monitoring**

The internal electrodes are switched in parallel. During testing, all the electrodes are thus measured together.

Measure the resistor of the electrodes with an ohmmeter. The measured value must approach "infinity". At values  $\leq 30$  kOhm, there is water in the terminal room or motor compartment. **Contact customer service!**

**9.5.4.2 Checking resistor in the temperature sensor**

Measure the resistor of the temperature sensors with an ohmmeter. The following measured values must be complied with:

- **PTC sensor** (PTC thermistor): Measured value depends on the number of sensors installed. A PTC sensor has a cold resistance range of 20 to 100 ohms.
  - With **three** sensors in series, the measured value range is from 60 to 300 ohms.
  - With **four** sensors in series, the measured value range is from 80 to 400 ohms.
- **Pt100 sensor**: Pt100 sensors have a resistance value of 100 ohms at 0 °C (32 °F). Between 0 °C (32 °F) and 100 °C (212 °F), the resistance increases by 0.385 ohms per 1 °C (1.8 °F) increase.

At an ambient temperature of 20 °C (68 °F), the resistance is 107.7 ohms.

### 9.5.4.3 Testing the resistor of the external electrode for sealing chamber control

Measure the resistor of the electrode with an ohmmeter. The measured value must approach "infinity". For values  $\leq 30$  kOhm, there is water in the oil – change the oil!

### 9.5.5 Drain the leakage chamber

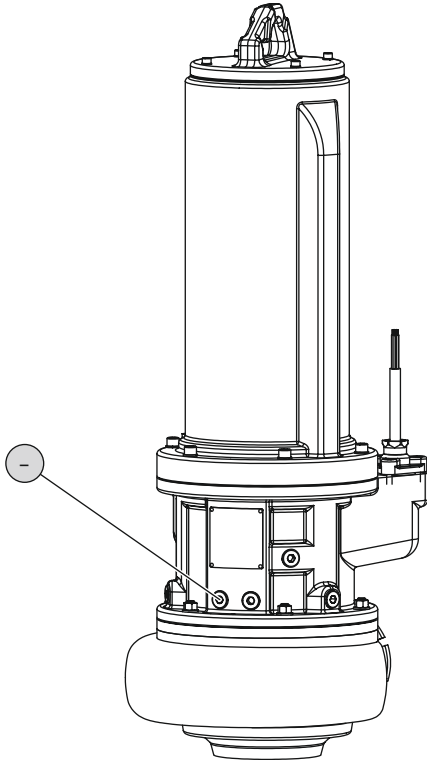


Fig. 9: Drain the leakage chamber

### 9.5.6 Coolant change

#### - Drain off the leakage

- ✓ Protective equipment has been put on!
  - ✓ Pump is removed and cleaned (if necessary decontaminated).
1. Place the pump upright on a firm surface. **WARNING! Risk of hands being crushed. Make sure that the pump cannot fall over or slip!**
  2. Place a suitable tank to collect the operating fluid.
  3. Unscrew the screw plug slowly (-) but do not unscrew it completely. **WARNING! Overpressure in the motor! If you hear hissing or whistling sounds, do not turn any further! Wait until the pressure has fully dissipated.**
  4. After the pressure has dissipated, fully unscrew the screw plug (-) and drain the operating fluid.
  5. Clean the screw plug (-), replace the seal ring and screw it back in. **Max. tightening torque: 8 Nm (5.9 ft·lb)!**

#### WARNING



#### Operating fluid under high pressure!

A pressure of **several bar can build up** inside the motor! This pressure escapes **when opening** the screw plugs. Screw plugs opened carelessly can be ejected at high speed! To avoid injuries, observe the following instructions:

- Adhere to the prescribed sequence of work steps.
- Unscrew screw plugs slowly but never fully. As soon as the pressure escapes (audible whistling or hissing of air), do not turn any further!
- When the pressure has fully dissipated, fully unscrew screw plugs.
- Wear closed safety goggles.

#### WARNING



#### Scalding due to hot operating fluids!

When the pressure escapes, hot operating fluid can also be ejected. This can result in scalding! To avoid injuries, the following instructions must be observed:

- Allow the mixer to cool to ambient temperature, then open the screw plugs.
- Wear closed safety goggles or face protection as well as gloves.

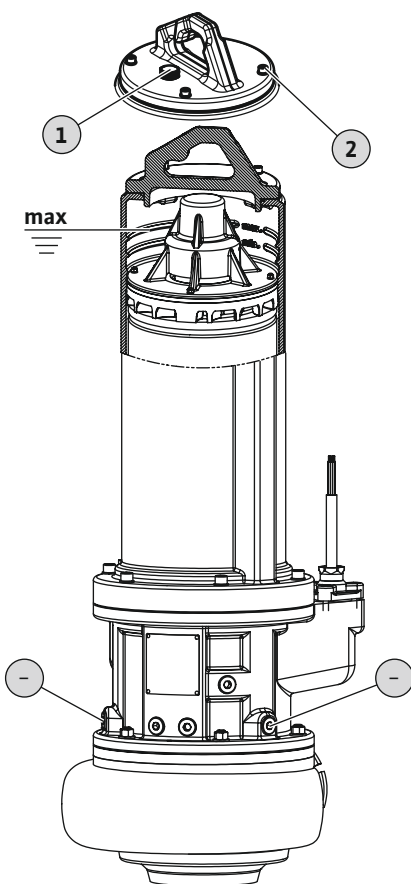


Fig. 10: Check the coolant

1	Overpressure valve
2	Interior hexagonal head screw for motor cover fixation
-	Drain the coolant

- ✓ Pump is **not** installed.
  - ✓ Pump is **not** connected to the mains.
  - ✓ Protective equipment must be put on!
1. Place the pump on a firm surface in a vertical position. **WARNING! Risk of hands being crushed. Make sure that the pump can not fall over or slip!**
  2. Position a suitable tank to collect the operating fluid.
  3. To vent possible overpressure, unscrew the overpressure valve by around 3–4 turns. **WARNING! Overpressure in motor! Stop turning the screw plug further if hissing or whistling is audible! Wait until the pressure has completely dissipated.**
  4. Once the overpressure has vented, unscrew the overpressure valve **completely**.
  5. Change the seal ring and O-ring on the overpressure valve.
  6. Screw the overpressure valve back in. **Max. tightening torque: 55 Nm (40.5 ft-lb)!**
  7. Unscrew the interior hexagonal head screws on the motor cover diametrically opposite.
  8. Remove the motor cover.
  9. Unscrew screw plug (-) and drain the operating fluid. If a ball valve is installed on the outlet opening, open the shut-off ball cock.
  10. Check the operating fluid: Notify customer service if the operating fluid contains metal swarf!
  11. To drain the cooling system completely, rinse it thoroughly with clean water.
  12. If a ball valve is installed on the outlet opening, close the shut-off ball cock.
  13. Clean the screw plug (-), replace the seal ring and screw it back in. **Max. tightening torque: 8 Nm (5.9 ft-lb)!**
  14. Pour the new operating fluid in through the motor opening.
  15. Two marks are worked into the inside of the housing. The operating fluid must be filled up to the upper "max." mark.
    - ⇒ Observe the information on operating fluid type and quantity!
    - NOTICE! To ensure long-term frost and corrosion protection, use the specified coolant P35 for topping up! Note the information on the permissible concentrates and mixing ratio !**
  16. Clean the motor cover and renew the O-ring.
  17. Place the motor cover on the motor housing and re-tighten the interior hexagonal head screws. **Max. tightening torque: see appendix!**

### 9.5.7 Oil change in sealing chamber

#### WARNING



#### Operating fluid under high pressure!

A pressure of **several bar** can build up inside the motor! This pressure escapes **when opening** the screw plugs. Screw plugs opened carelessly can be ejected at high speed! To avoid injuries, observe the following instructions:

- Adhere to the prescribed sequence of work steps.
- Unscrew screw plugs slowly but never fully. As soon as the pressure escapes (audible whistling or hissing of air), do not turn any further!
- When the pressure has fully dissipated, fully unscrew screw plugs.
- Wear closed safety goggles.



**WARNING****Scalding due to hot operating fluids!**

When the pressure escapes, hot operating fluid can also be ejected. This can result in scalding! To avoid injuries, the following instructions must be observed:

- Allow the mixer to cool to ambient temperature, then open the screw plugs.
- Wear closed safety goggles or face protection as well as gloves.

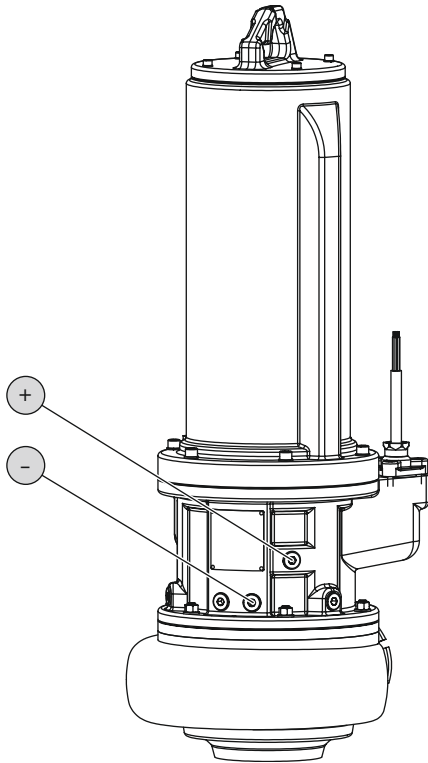


Fig. 11: Sealing chamber: Oil change

+	Add the oil to the sealing chamber
-	Drain the oil in the sealing chamber

- ✓ Protective equipment has been put on!
  - ✓ Pump is removed and cleaned (if necessary decontaminated).
1. Place the pump upright on a firm surface. **WARNING! Risk of hands being crushed. Make sure that the pump cannot fall over or slip!**
  2. Place a suitable tank to collect the operating fluid.
  3. Unscrew the screw plug (+) slowly, but do not unscrew it completely. **WARNING! Over-pressure in the motor! If you hear hissing or whistling sounds, do not turn any further! Wait until the pressure has fully dissipated.**
  4. After the pressure has dissipated, fully unscrew the screw plug (+).
  5. Unscrew screw plug (-) and allow the operating fluid to drain out. If a shut-off ball cock is installed on the outlet opening, open the shut-off ball cock.
  6. Check operating fluid: If there are metal filings in the operating fluid, inform customer service!
  7. If a shut-off ball cock is installed on the outlet opening, close the shut-off ball cock.
  8. Clean the screw plug (-), replace the seal ring and screw it back in. **Max. tightening torque: 8 Nm (5.9 ft·lb)!**
  9. Pour the new operating fluid in through the hole of the screw plug (+).  
⇒ Adhere to the information for operating fluid type and quantity!
  10. Clean the screw plug (+), replace the seal ring and screw it back in. **Max. tightening torque: 8 Nm (5.9 ft·lb)!**

### 9.5.8 General overhaul

During the general overhaul, the motor bearings, shaft seals, O-rings and power supply cables are checked for wear and damage. Damaged components are replaced with original parts. This will ensure correct operation.

The general overhaul is performed by the manufacturer or an authorized service center.

### 9.6 Repairs

**WARNING****Sharp edges on the impeller and suction port!**

Sharp edges can form on the impeller and suction port. There is a danger of limbs being severed! Protective gloves must be worn against cutting injuries.

**WARNING****Hand, foot or eye injuries due to a lack of protective equipment!**

During work there is a risk of (serious) injury. Wear the following protective equipment:

- Safety gloves that protect against cuts
- Safety shoes
- Closed safety goggles

The following preconditions must be met prior to starting repair work:

- Pump cooled down to the ambient temperature.
- Pump is switched voltage-free and secured against being activated inadvertently.
- Pump cleaned thoroughly and disinfected (if required).

For repair work the following generally applies:

- Wipe up spillage quantities of fluid and operating fluid immediately!
- Always replace O-rings, gaskets and screw locking devices!
- Observe the tightening torques in the appendix!
- Never use force when carrying out this work!

### 9.6.1 Instructions on using screw locking devices

A screw locking method can be used on the screws. Ex-factory, the screws are locked using two different methods:

- Thread-locking fluid
- Mechanical screw locking device

**Always replace the screw locking device!**

#### ***Thread-locking fluid***

When using thread-locking fluid, opt for a medium-strength product (e.g. Loctite 243). This type of compound can be loosened with increased force. If the screw cannot be loosened, then the compound must be heated to approx. 300 °C (572 °F). Clean the components thoroughly after dismantling.

#### ***Mechanical screw locking***

The mechanical screw locking device consists of two Nord-Lock wedge lock washers. The screw connection is secured by the clamping force. The Nord-Lock screw locking device must only be used on bolts with strength class 10.9 which have been coated with Geomet.

**The use of stainless screws is prohibited!**

### 9.6.2 Which repair work is allowed to be carried out

- Changing the hydraulics housing.
- SOLID G- and Q impeller: Readjusting the suction port.

### 9.6.3 Changing the hydraulics housing

**DANGER****Dismantling the impeller is prohibited!**

Depending on the impeller diameter, the impeller must be removed for dismantling the hydraulics housing on some pumps. Before carrying out any work, check whether dismantling the impeller is necessary. If yes, notify customer service! The dismantling of the impeller must be carried out by customer service or an authorized specialist workshop.

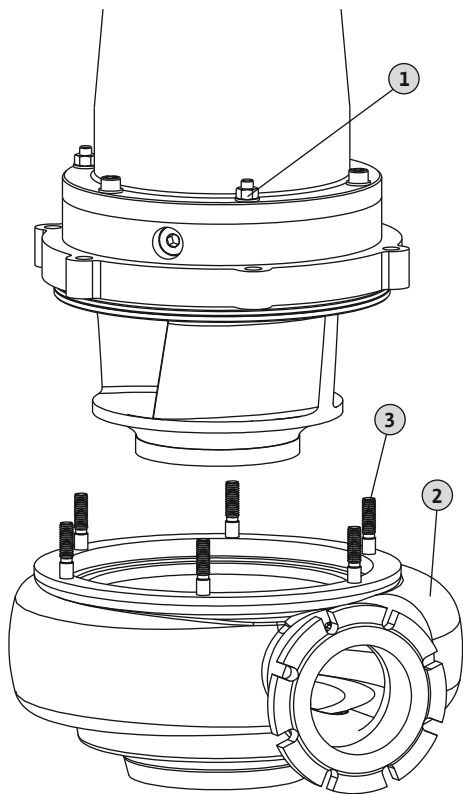


Fig. 12: Changing the hydraulics housing

1	Hexagon nuts for fixation of the motor/hydraulics
2	Hydraulics housing
3	Threaded bolt

- ✓ Lifting equipment with sufficient bearing capacity is present.
- ✓ Protective equipment has been put on.
- ✓ New hydraulics housing is ready.
- ✓ Impeller must **not** be dismantled!

1. Attach lifting equipment with suitable lifting gear to the attachment point of the pump.
2. Place the pump upright.

**CAUTION! If the pump is placed down too quickly, the hydraulics housing at the suction port can be damaged. Place the pump down slowly on the suction port!**

**NOTICE! If the pump cannot be placed level on the suction port, use appropriate adjustment plates. In order for the motor to be lifted without any problem, the pump must be vertical.**

3. Mark the motor/hydraulics position on the housing.
4. Loosen and remove hexagon nuts on the hydraulics housing.
5. Slowly lift the motor and pull it off the threaded bolts.

**CAUTION! Lift the motor vertically and do not tilt! The threaded bolts will be damaged if tilted!**

6. Swivel the motor over the new hydraulics housing.
7. Slowly drain the motor. Make sure that the motor/hydraulic markings match and the thread the threaded bolts exactly into the drilled holes.

8. Screw hexagon nuts and connect the motor to the hydraulics firmly. **NOTICE! Observe the tightening torques in the appendix!**

- ▶ Hydraulics housing changed. Pump can be reinstalled.

**WARNING! If the pump is placed in temporary storage and the lifting equipment dismantled, secure the pump against falling over and slipping!**

### 9.6.4 SOLID G- and Q impeller: Readjusting the suction port

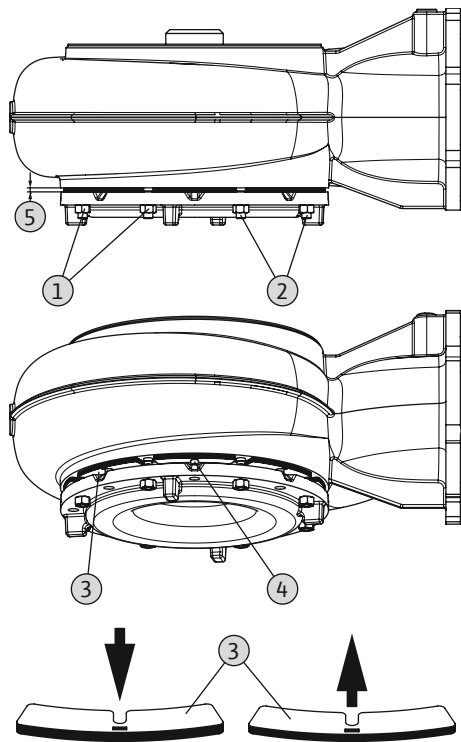


Fig. 13: SOLID G: Readjusting the gap

1	Hexagon nut for suction port attachment
2	Threaded bolt
3	Laminated core
4	Laminated core fastening screw
5	Gap between suction port and hydraulics housing

- ✓ Lifting equipment with sufficient bearing capacity is present.
  - ✓ Protective equipment has been put on.
1. Attach lifting equipment with suitable lifting gear to the attachment point of the pump.
  2. Lift the pump so that the pump is approx. 50 cm (20 in) above the ground.
  3. Loosen the hexagon nuts for fixation of the suction port. Unscrew the hexagon nut until the hexagon nut is flush with the threaded bolt.  
**WARNING! Risk of crushing fingers! The suction port can stick on the hydraulics housing due to encrustations and slide down suddenly. Loosen the nuts only in a crosswise manner and grasp them from the bottom. Wear protective gloves!**
  4. Suction port is on the hexagon nuts. If the suction port sticks to the hydraulics housing, carefully loosen the suction port with a wedge!
  5. Clean the sliding surface and the screwed-on laminated cores and disinfect (if necessary).
  6. Loosen the screws from the laminated cores and remove the individual laminated cores.
  7. Slowly re-tighten the three hexagon nuts crosswise until the suction port is in contact with the impeller. **CAUTION! Only tighten the hexagon nuts by hand! If the hexagon nuts are excessively tightened, it can result in damage to the impeller and the motor bearings!**
  8. Measure the gap between the suction port and hydraulics housing.
  9. Adjust the laminated cores according to the measured dimensions and add another metal sheet.
  10. Unscrew the three hexagon nuts again until the hexagon nuts are flush with the threaded bolt.
  11. Reinsert the laminated cores and screw it into place.
  12. Tighten the hexagon nuts crosswise until the suction port is flush with the laminated cores.
  13. Firmly tighten the hexagon nuts crosswise. **Observe the tightening torques in the appendix!**
  14. Reach into the suction port from below and turn the impeller. When the gap is correctly set, the impeller can be rotated. If the gap is too small, the impeller is difficult to rotate. Repeat setting. **WARNING! Danger of amputation of limbs! Sharp edges can form on the suction port and impeller. Wear safety gloves to protect against cuts!**
- Suction port correctly set. Pump can be reinstalled.

## 10 Faults, causes and remedies

### DANGER



#### **Danger due to fluids which are hazardous to health!**

Pumps in fluids which are dangerous to health pose a danger to life! Wear the following protective equipment during work:

- Closed safety goggles
  - Breathing mask
  - Protective gloves
- ⇒ The listed equipment is the minimum requirement, observe the information from the work regulations! The operator must ensure that the personnel have received and read the work regulations!

### DANGER



#### **Electrocution hazard!**

Improper conduct when carrying out electrical work causes death due to electric shock! Electrical work must be carried out by a qualified electrician in accordance with the local regulations.

### DANGER



#### **Risk of fatal injury due to dangerous lone working practices!**

Working in pump chambers and tight spaces as well as working where there is a danger of falling is dangerous work. This work must not be carried out alone! A second person must be present for safety reasons.

### WARNING



#### **It is forbidden for people to be present in the working area of the pump!**

During pump operation people can sustain (serious) injuries! Therefore no persons are allowed in the working area during operation. If people have to enter the working space of the pump, the pump must be decommissioned and secured against unauthorized switch-on!

### WARNING



#### **Sharp edges on the impeller and suction port!**

Sharp edges can form on the impeller and suction port. There is a danger of limbs being severed! Protective gloves must be worn against cutting injuries.

#### **Fault: Pump does not start**

1. Interruption in the power supply or short-circuit/ground fault on the core or motor winding.
  - ⇒ Have the connection and motor checked by a qualified electrician and replaced if necessary.
2. Triggering of fuses, the motor protection switch or the monitoring devices
  - ⇒ Have the connection and monitoring devices checked by a qualified electrician and changed if necessary.

- ⇒ Have the motor protection switch and fuses installed or set according to the technical specifications; reset the monitoring devices.
- ⇒ Check impeller for ease of operation, clean hydraulics if necessary.
- 3. The sealing chamber control (optional) has interrupted the trip circuit (depending on connection)
  - ⇒ See "Fault: Mechanical seal leakage, sealing chamber control reports a fault and switches the pump off"

***Fault: Pump running, after a short time the motor protection triggers***

1. The motor protection switch is incorrectly set.
  - ⇒ Have the setting of the trigger checked by a qualified electrician and trimmed.
2. Increased power consumption due to major tension drop.
  - ⇒ Have the tension values of the individual phases checked by a qualified electrician. Consult the power supply operator.
3. Only two phases present on the connection.
  - ⇒ Have the connection checked and trimmed by a qualified electrician.
4. Tension differences too large between the phases.
  - ⇒ Have the tension values of the individual phases checked by a qualified electrician. Consult the power supply operator.
5. Incorrect direction of rotation.
  - ⇒ Have the connection trimmed by a qualified electrician.
6. Increased current consumption due to clogged hydraulics.
  - ⇒ Clean hydraulics and check inlet.
7. Density of the fluid is too high.
  - ⇒ Contact customer service.

***Fault: Pump running, no flow rate present***

1. No fluid present.
  - ⇒ Check inlet, open all gate valves.
2. Inlet blocked.
  - ⇒ Check inlet and eliminate clogging.
3. Hydraulics clogged.
  - ⇒ Clean hydraulics.
4. Pipe system on the pressure side or pressure hose clogged.
  - ⇒ Eliminate clogging and if necessary replace damaged components.
5. Intermittent operation.
  - ⇒ Check switching system.

***Fault: Pump running, duty point is not reached***

1. Inlet blocked.
  - ⇒ Check inlet and eliminate clogging.
2. Slide valve on the pressure side closed.
  - ⇒ Open all gate valves fully.
3. Hydraulics clogged.
  - ⇒ Clean hydraulics.
4. Incorrect direction of rotation.
  - ⇒ Have the connection trimmed by a qualified electrician.
5. Air cushion in pipe system.
  - ⇒ Vent the pipe system.

- ⇒ For frequent occurrence of air cushions: Locate and prevent air intake, if required install ventilation systems at specified locations.
- 6. Pump pumping against excessive pressure.
  - ⇒ Open all gate valves fully on the pressure side.
  - ⇒ Check impeller type, if necessary use a different impeller type. Contact customer service.
- 7. Signs of wear on the hydraulics.
  - ⇒ Check components (impeller, suction port, pump housing) and have them replaced by customer service.
- 8. Pipe system on the pressure side or pressure hose clogged.
  - ⇒ Eliminate clogging and if necessary replace damaged components.
- 9. Highly gaseous fluid.
  - ⇒ Contact customer service.
- 10. Only two phases present on the connection.
  - ⇒ Have the connection checked and trimmed by a qualified electrician.
- 11. Excessive decrease in fluid level during operation.
  - ⇒ Check supply/capacity of the system.
  - ⇒ Check switching point of the level control device and adjust if necessary.

***Fault: The pump does not run smoothly and is noisy***

1. Impermissible duty point.
  - ⇒ Check pump design and duty point, contact customer service.
2. Hydraulics clogged.
  - ⇒ Clean hydraulics.
3. Highly gaseous fluid.
  - ⇒ Contact customer service.
4. Only two phases present on the connection.
  - ⇒ Have the connection checked and trimmed by a qualified electrician.
5. Incorrect direction of rotation.
  - ⇒ Have the connection trimmed by a qualified electrician.
6. Signs of wear on the hydraulics.
  - ⇒ Check components (impeller, suction port, pump housing) and have them replaced by customer service.
7. Motor bearing is worn.
  - ⇒ Inform customer service; pump back to factory for overhaul.
8. Pump is installed under tension.
  - ⇒ Check installation, if necessary install rubber compensators.

***Fault: Sealing chamber control reports a fault and switches the pump off***

1. Condensation build-up due to extended storage or high temperature fluctuations.
  - ⇒ Operate the pump briefly (max. 5 min.) without pencil electrode.
2. Increased leakage when running in new mechanical seals.
  - ⇒ Change the oil.
3. Defective pencil electrode cable.
  - ⇒ Replace pencil electrode.
4. Mechanical seal is defective.
  - ⇒ Inform customer service.

**Further steps for troubleshooting**

If the points listed here do not rectify the fault, contact customer service. Customer service can provide further assistance as follows:

- Support by telephone or in writing.
- On-site support.
- Inspection and repair at the factory.

Costs may be incurred for some services from customer service! Please contact customer service for more information.

**11 Spare parts**

Spare parts can be ordered from customer service. To avoid return queries and incorrect orders, the serial or article number must always be given. **Subject to change without prior notice!**

**12 Disposal****12.1 Oils and lubricants**

Operating fluid must be collected in suitable tanks and disposed of in accordance with the locally applicable guidelines. Wipe up drips immediately!

**12.2 Water-glycol mixture**

The operating fluid complies with Water Hazard Class 1 of the German Administrative Regulation of Substances Hazardous to Water (VwVwS). When disposing of it, the locally applicable guidelines (e.g. DIN 52900 on propanediol and propylene glycol) must be observed.

**12.3 Protective clothing**

Used protective clothing must be disposed of in accordance with the locally applicable guidelines.

**12.4 Information on the collection of used electrical and electronic products**

Proper disposal and appropriate recycling of this product prevents damage to the environment and dangers to your personal health.

**NOTICE****Disposal in domestic waste is forbidden!**

In the European Union, this symbol can appear on the product, the packaging or the accompanying documentation. It means that the electrical and electronic products in question must not be disposed of along with domestic waste.

To ensure proper handling, recycling and disposal of the used products in question, please note the following points:

- Only hand over these products at designated, certified collecting points.
- Observe the locally applicable regulations!

Please consult your local municipal authority, the nearest waste disposal site, or the dealer who sold the product to you for information on proper disposal. For further information on recycling, visit [www.wilo-recycling.com](http://www.wilo-recycling.com).

**13 Appendix****13.1 Tightening torques**

Rust-free screws (A2/A4)			
Thread	Tightening torque		
	Nm	kp m	ft·lb
M5	5.5	0.56	4
M6	7.5	0.76	5.5
M8	18.5	1.89	13.5



Rust-free screws (A2/A4)			
Thread	Tightening torque		
	Nm	kp m	ft-lb
M10	37	3.77	27.5
M12	57	5.81	42
M16	135	13.77	100
M20	230	23.45	170
M24	285	29.06	210
M27	415	42.31	306
M30	565	57.61	417

Geomet-coated screws (strength 10.9) with Nord-Lock washer			
Thread	Tightening torque		
	Nm	kp m	ft-lb
M5	9.2	0.94	6.8
M6	15	1.53	11
M8	36.8	3.75	27.1
M10	73.6	7.51	54.3
M12	126.5	12.90	93.3
M16	155	15.81	114.3
M20	265	27.02	195.5

### 13.2 Operation with frequency converter

The motor in series design (confirming to IEC 60034-17) can be operated with a frequency converter. Contact customer service if the rated voltage is over 415 V/50 Hz or 480 V/60 Hz. Because of the additional heating caused by harmonics, the rated power of the motor must be around 10 % more than the power requirement of the pump. For frequency converters with a low-harmonic output, it may be possible to reduce the 10 % power reserve. A reduction of the harmonic waves is achieved with output filters. The frequency converter and filter must be compatible.

The configuration of the frequency converter depends on the rated motor current. Care must be taken to ensure that the pump operates without jerking or vibration, especially in the lower speed range. Otherwise, the mechanical seals can leak or be damaged. Also consider the flow rate in the pipe. If the flow rate is too low, the risk of solids depositing in the pump and piping increases. A minimum flow rate of 0.7 m/s (2.3 ft/s) with a pumping pressure of 0.4 bar (6 psi) is recommended.

It is important that the pump operates across the entire control range without vibrations, resonance, oscillation or excessive noise. Increased motor noise caused by the harmonics of the power supply is normal.

During parameterization of the frequency converter, observe the setting of the quadratic pump curve (U/f curve) for pumps and fans! The U/f curve ensures that the output voltage at frequencies less than the rated frequency (50 Hz or 60 Hz) is adjusted to the power requirement of the pump. Newer frequency converters feature an automatic power optimization function – this automation achieves the same effect. For the frequency converter setting, refer to its installation and operating instructions.

Faults with the motor monitoring may occur on motors operated with a frequency converter depending on the type used and installation conditions present. The following measures can help to reduce or avoid these faults:

- Keeping within the limit values stated in IEC 60034-25 for the voltage peaks and rise speed. Output filters may need to be installed.
- Vary the pulse frequency of the frequency converter.

- In the event of a fault on the internal sealing chamber control, use the external double-rod electrode.

The following construction measures can also help to reduce or prevent faults:

- Separate power supply cables for the main and control cable (depending on the motor size).
- When laying, ensure there is adequate clearance between the main and control cable.
- Use shielded power supply cables.

#### **Summary**

- Continuous duty up to rated frequency (50 Hz or 60 Hz), observing the minimum flow velocity.
- Observe additional measures with regard to EMC regulations (choice of frequency converter, using filters, etc.).
- Never exceed the rated current or rated speed of the motor.
- It must be possible to connect the motor's own temperature monitor (bimetallic strip or PTC sensor).

### **13.3 Ex rating**

This section contains further information on the operation of the pump in an explosive atmosphere. All personnel must read this section. **This section applies to Ex approval pumps only!**

#### **13.3.1 Identification of Ex-rated pumps**

For use in explosive atmospheres, the pump must be marked as follows on the rating plate:

- "Ex" symbol for the relevant approval
- Ex classification
- Certification number (depending on the approval)

The certification number, if required by the approval, is printed on the rating plate.

#### **13.3.2 Protection class**

The motor's design version corresponds to the following protection classes:

- Flameproof enclosure (ATEX)
- Explosionproof (FM)

In order to limit the surface temperature, the motor must be equipped with a temperature limiter (1-circuit temperature monitoring).

#### **13.3.3 Intended use**

### **DANGER**



#### **Explosion due to pumping explosive fluids!**

Pumping highly flammable and explosive fluids (benzene, kerosene etc.) in their pure form is strictly forbidden. There is a risk of fatal injury due to explosion! The pumps are not designed for these fluids.

#### **ATEX approval**

The pumps are suitable for operation in potentially explosive atmospheres:

- Device group: II
- Category: 2, zone 1 and zone 2

**These pumps must not be used in zone 0!**

#### **FM approval**

The pumps are suitable for operation in potentially explosive atmospheres:

- Protection class: Explosionproof
- Category: Class I, Division 1

Notice: If the cabling is carried out according to Division 1, installation in Class I, Division 2 is also permitted.

### 13.3.4 Electrical connection

#### DANGER



#### Electrocution hazard!

Improper conduct when carrying out electrical work causes death due to electric shock! Electrical work must be carried out by a qualified electrician in accordance with the local regulations.

- Always connect the pump to an electrical outlet outside the explosive area. If the connection must be made within the explosive area, then the connection must be carried out in an Ex-rated housing (ignition protection class according to DIN EN 60079-0)! Non-observance may lead to fatal injury due to explosion! Connection must always be carried out by a qualified electrician.
- All monitoring devices outside the “spark-proof areas” must be connected via an intrinsically safe circuit (e.g. Ex-i relay XR-4...).
- The voltage tolerance may not be higher than max.  $\pm 10\%$ .

Overview of possible monitoring devices:

	HC 20.1	HC 20.1 ...-E3
Internal monitoring devices		
Terminal room/motor compartment	•	•
Motor winding	•	•
Motor bearings	o	o
Sealing chamber	–	–
Leakage chamber	•	•
Vibration sensor	–	–
External monitoring devices		
Sealing chamber	o	o

Key: – = not available/possible, o = optional, • = as standard

#### All monitoring devices fitted must be connected at all times!

##### 13.3.4.1 Monitoring of terminal room/motor compartment

The connection is made as described in the “Electrical connection” section.

##### 13.3.4.2 Monitoring the motor winding

#### DANGER



#### Risk of explosion due to overheating of the motor!

If the temperature limiter is connected incorrectly, there is risk of explosion due to overheating of the motor! Always connect the temperature limiter to a manual reactivation lock. This means that a “release button” must be manually activated!

The motor is equipped with a temperature limiter (1-circuit temperature monitoring).

When the threshold is reached, deactivation must occur with a **restart interlock!**

#### Connection of the thermal motor monitoring

Connect the PTC sensor via an evaluation relay. Relay “CM-MSS” is recommended for this. The threshold is preset.

##### 13.3.4.3 Leakage chamber monitoring

Connect the float switch using an evaluation relay! Relay “CM-MSS” is recommended for this. The threshold is already pre-set.

##### 13.3.4.4 Monitoring of motor bearing

The connection is made as described in the “Electrical connection” section.

### 13.3.4.5 Sealing chamber monitoring (external electrode)

- Connect the external pencil electrode via an Ex-rated evaluation relay! Relay “XR-4...” is recommended for this.  
The threshold is 30 kOhm.
- The connection must be made using an intrinsically safe circuit!

### 13.3.4.6 Operation on frequency converter

- Type of converter: Pulse-width modulation
- Continuous duty: 30 Hz up to rated frequency (50 Hz or 60 Hz). Comply with the minimum flow velocity!
- Min. switching frequency: 4 kHz
- Max. overvoltages on the terminal board: 1350 V
- Output current on the frequency converter: max. 1.5 times rated current
- Max. overload time: 60 s
- Torque applications: quadratic pump curve  
Speed/torque curves required are available on request!
- Observe additional measures with regard to EMC regulations (choice of frequency converter, filters, etc.).
- Never exceed the rated current or rated speed of the motor.
- It must be possible to connect the motor's own temperature monitoring (bimetallic strip or PTC sensor).
- If the temperature class is marked as T4/T3, temperature class T3 applies.

### 13.3.5 Commissioning

#### DANGER



#### Risk of explosion when using non Ex-rated pumps!

Pumps without Ex rating may not be used in potentially explosive areas! There is a risk of fatal injury due to explosion! Only use pumps which have the appropriate Ex labelling on the rating plate within potentially explosive areas.

#### DANGER



#### Risk of explosion due to flying sparks in the hydraulics!

During operation, the hydraulics must be flooded (completely filled with the fluid). If the volume flow is interrupted or the hydraulics emerges, air cushions can form in the hydraulics. If this happens, there is a risk of explosion e.g. flying sparks due to static charge! Dry-running protection must ensure that the pump is deactivated at the appropriate level.

#### DANGER



#### There is a risk of explosion if dry-running protection is connected incorrectly!

If the pump is operated within an explosive atmosphere, the dry-running protection must have a separate signal transmitter (redundant protection of the level control). Pump deactivation must be performed with a manual reactivation lock!

- The operator is responsible for defining the potentially explosive area.
- Only pumps with corresponding Ex rating may be used within a potentially explosive area.
- Pumps with Ex rating must be labelled on the rating plate.
- Do not exceed the **maximum fluid temperature!**
- Dry running of the pump must be prevented! Ensure on-site (dry-running protection) that emerging of the hydraulics is prevented.  
According to DIN EN 50495, a safety device with SIL level 1 and hardware fault tolerance 0 must be provided for category 2.

### 13.3.6 Maintenance and repair

- Carry out maintenance tasks according to the regulations.

- Only perform maintenance work which is described in these 'Installation and operating instructions'.
- The spark-proof gaps may **only** be repaired according to the manufacturer's design specifications. It is **not** permitted to carry out repairs according to the values in tables 1 and 2 of DIN EN 60079-1.
- Only use screw plugs as stipulated by the manufacturer, that at least correspond to a strength class of 600 N/mm<sup>2</sup> (38.85 long tons-force/inch<sup>2</sup>).

#### 13.3.6.1 Repair of housing coating

The paint layer can become electrostatically charged in case of thicker coats. **DANGER! Risk of explosion! In explosive atmospheres, a discharge can cause an explosion!**

If the housing coating has to be repaired, the maximum coat thickness is 2 mm (0.08 in)!

#### 13.3.6.2 Changing the mechanical seal

Changing the seal on the fluid and motor side is strictly prohibited!

#### 13.3.6.3 Replacing the connection cable

Changing the connection cable is strictly prohibited!

## Table of Contents

<b>1</b>	<b>Generalidades.....</b>	<b>56</b>
1.1	Acerca de estas instrucciones .....	56
1.2	Indicación de conformidad .....	56
1.3	Derechos de autor.....	56
1.4	Reservado el derecho de modificación .....	56
1.5	Garantía .....	56
<b>2</b>	<b>Seguridad .....</b>	<b>56</b>
2.1	Identificación de las indicaciones de seguridad .....	57
2.2	Cualificación del personal.....	58
2.3	Trabajos eléctricos.....	59
2.4	Dispositivos de vigilancia.....	59
2.5	Uso de medios perjudiciales para la salud .....	59
2.6	Transporte.....	59
2.7	Trabajos de montaje/desmontaje.....	60
2.8	Durante el funcionamiento.....	60
2.9	Trabajos de mantenimiento .....	60
2.10	Material de servicio .....	61
2.11	Obligaciones del operador.....	61
<b>3</b>	<b>Utilización.....</b>	<b>61</b>
3.1	Uso previsto.....	61
3.2	Uso no previsto .....	61
<b>4</b>	<b>Descripción del producto.....</b>	<b>62</b>
4.1	Construcción.....	62
4.2	Dispositivos de vigilancia.....	64
4.3	Modos de funcionamiento.....	64
4.4	Funcionamiento con convertidor de frecuencia.....	65
4.5	Funcionamiento en atmósferas explosivas.....	65
4.6	Placa de características .....	65
4.7	Código .....	66
4.8	Suministro.....	67
4.9	Accesorios.....	67
<b>5</b>	<b>Transporte y almacenamiento.....</b>	<b>67</b>
5.1	Entrega .....	67
5.2	Transporte.....	68
5.3	Almacenamiento .....	68
<b>6</b>	<b>Instalación y conexión eléctrica.....</b>	<b>69</b>
6.1	Cualificación del personal.....	69
6.2	Tipos de instalación .....	69
6.3	Obligaciones del operador.....	70
6.4	Instalación.....	70
6.5	Conexión eléctrica .....	76
<b>7</b>	<b>Puesta en marcha.....</b>	<b>80</b>
7.1	Cualificación del personal.....	81
7.2	Obligaciones del operador .....	81
7.3	Control del sentido de giro (solo en motores de corriente trifásica).....	81
7.4	Funcionamiento en atmósferas explosivas.....	81
7.5	Antes de la conexión .....	82
7.6	Conexión y desconexión .....	82
7.7	Durante el funcionamiento.....	83

<b>8</b>	<b>Puesta fuera de servicio/desmontaje</b>	<b>84</b>
8.1	Cualificación del personal	84
8.2	Obligaciones del operador	84
8.3	Puesta fuera de servicio	84
8.4	Desmontaje	84
<b>9</b>	<b>Mantenimiento</b>	<b>87</b>
9.1	Cualificación del personal	87
9.2	Obligaciones del operador	87
9.3	Material de servicio	87
9.4	Intervalos de mantenimiento	89
9.5	Medidas de mantenimiento	89
9.6	Trabajos de reparación	94
<b>10</b>	<b>Averías, causas y solución</b>	<b>96</b>
<b>11</b>	<b>Repuestos</b>	<b>100</b>
<b>12</b>	<b>Eliminación</b>	<b>100</b>
12.1	Aceites y lubricantes	100
12.2	Mezcla agua-glicol	100
12.3	Ropa protectora	100
12.4	Información sobre la recogida de productos eléctricos y electrónicos usados	100
<b>13</b>	<b>Anexo</b>	<b>100</b>
13.1	Pares de apriete	100
13.2	Funcionamiento con convertidor de frecuencia	101
13.3	Homologación para uso en zonas explosivas	102

## 1 Generalidades

### 1.1 Acerca de estas instrucciones

Las instrucciones de instalación y funcionamiento son una parte integrante del producto. Antes de realizar cualquier actividad, lea estas instrucciones y consérvelas en un lugar accesible en todo momento. Para un uso previsto y el correcto manejo del producto se requiere la minuciosa observación de las presentes instrucciones. Se deben observar todos los datos e indicaciones del producto.

El idioma de las instrucciones de funcionamiento originales es el alemán. Las instrucciones en los restantes idiomas son una traducción de las instrucciones de funcionamiento originales.

### 1.2 Indicación de conformidad

Este producto ha sido desarrollado y fabricado siguiendo las directivas de productos CE aplicables al mismo que han de cumplir los artículos comercializados en la UE.

Por ello, este producto satisface las exigencias de seguridad y sanitarias generales estipuladas por el derecho comunitario de la UE relevantes para el mismo, las normas europeas relevantes publicadas y las normas alemanas reconocidas internacionalmente.

Puesto que este producto no se destina al Espacio Económico Europeo, no cuenta con el marcado CE. **La puesta en circulación en el Espacio Económico Europeo no está permitida.**

### 1.3 Derechos de autor

El fabricante sigue siendo el titular de los derechos de autor de estas instrucciones de instalación y funcionamiento. Los contenidos de cualquier tipo no deben reproducirse, distribuirse, aprovecharse sin autorización para beneficio de la competencia ni divulgarse a terceras personas.

### 1.4 Reservado el derecho de modificación

El fabricante se reserva el derecho de realizar modificaciones técnicas en el producto o los componentes individuales. Las ilustraciones utilizadas pueden diferir del original y sirven como representación a modo de ejemplo del producto.

### 1.5 Garantía

La prestación de garantía y el periodo de garantía se rigen, en general, por los datos incluidos en las «Condiciones generales de venta» actuales. Estos pueden consultarse en: [www.wilo.com/legal](http://www.wilo.com/legal)

Cualquier divergencia al respecto deberá estipularse contractualmente y dársele un trato prioritario.

#### ***Derecho de garantía***

Si se cumplen los siguientes puntos, el fabricante se compromete a reparar cualquier defecto de calidad o construcción:

- Los defectos deben comunicarse por escrito al fabricante dentro del periodo de garantía.
- Utilización según el uso previsto.
- Todos los dispositivos de vigilancia están conectados y se han comprobado antes de la puesta en marcha.

#### ***Exclusión de responsabilidad***

Una exclusión de responsabilidad exime de cualquier responsabilidad por lesiones personales y daños materiales o patrimoniales. Esta exclusión se aplica en cuanto se dé uno de los siguientes puntos:

- Dimensionamiento insuficiente debido a datos insuficientes o incorrectos del operador o el contratante
- Incumplimiento de estas instrucciones de instalación y funcionamiento
- Uso no previsto
- Almacenamiento o transporte incorrectos
- Montaje o desmontaje incorrectos
- Mantenimiento deficiente
- Reparación no permitida
- Terreno deficiente
- Influencias químicas, eléctricas o electroquímicas
- Desgaste



## 2 Seguridad

Este capítulo contiene indicaciones básicas para cada una de las fases de la vida útil. Un incumplimiento de estas indicaciones puede causar los siguientes daños:

- Lesiones personales debidas a causas eléctricas, mecánicas o bacteriológicas, así como campos electromagnéticos
- Daños en el medioambiente debidos a derrames de sustancias peligrosas
- Daños materiales
- Fallos en funciones importantes del producto

El incumplimiento de las indicaciones conlleva la pérdida de los derechos de reclamación de daños y perjuicios.

**Además observe las instrucciones y las indicaciones de seguridad de los capítulos posteriores.**

### 2.1 Identificación de las indicaciones de seguridad

En estas instrucciones de instalación y funcionamiento se emplean indicaciones de seguridad relativas a daños materiales y lesiones personales. Las indicaciones de seguridad se representan de distintas maneras:

- Las instrucciones de seguridad para lesiones personales comienzan con una palabra identificativa, tienen el **símbolo correspondiente** antepuesto y un fondo gris.

#### PELIGRO



#### Tipo y fuente del peligro

Repercusiones del peligro e indicaciones para evitarlo.

- Las instrucciones de seguridad para daños materiales comienzan con una palabra identificativa y no tienen **ningún** símbolo.

#### ATENCIÓN

#### Tipo y fuente del peligro

Repercusiones o información.

#### Palabras identificativas

- **PELIGRO**  
El incumplimiento provoca lesiones graves o incluso la muerte.
- **ADVERTENCIA**  
El incumplimiento puede provocar lesiones (graves).
- **ATENCIÓN**  
El incumplimiento puede provocar daños materiales, incluso existe la posibilidad de un siniestro total.
- **AVISO**  
Información útil para el manejo del producto.

#### Distinciones del texto

- ✓ Requisito
  1. Paso de trabajo/enumeración
    - ⇒ Indicación/instrucción
- ▶ Resultado

#### Símbolos

En estas instrucciones se usan los siguientes símbolos:



Peligro por tensión eléctrica



Peligro por infección bacteriana



Peligro de explosión



Peligro debido a atmósfera explosiva



Símbolo de advertencia general



Advertencia de cortes



Advertencia de superficies calientes



Advertencia de alta presión



Advertencia de carga suspendida



Equipo de protección individual: utilizar casco protector



Equipo de protección individual: utilizar calzado de protección



Equipo de protección individual: utilizar guantes de protección



Equipo de protección individual: utilizar mascarilla



Equipo de protección individual: utilizar gafas protectoras



Prohibido trabajar solo. Debe estar presente una segunda persona.



Indicación útil

## 2.2 Cualificación del personal

El personal debe:

- Haber recibido formación sobre las normas de prevención de accidentes vigentes a nivel local.
- Haber leído y comprendido las instrucciones de instalación y funcionamiento.

El personal debe poseer las siguientes cualificaciones:

- Trabajos eléctricos: un electricista especializado debe realizar los trabajos eléctricos.

- Trabajos de montaje/desmontaje: el personal especializado debe tener formación sobre el manejo de las herramientas necesarias y los materiales de fijación requeridos para el terreno existente.
- Trabajos de mantenimiento: el personal especializado debe estar familiarizado con el manejo de los materiales de servicio usados y su eliminación. Además, el personal especializado debe tener conocimientos básicos sobre la construcción de máquinas.

#### **Definición de «Electricista especializado»**

Un electricista especializado es una persona con una formación especializada, conocimientos y experiencia adecuados que le permiten detectar y evitar los peligros de la electricidad.

### **2.3 Trabajos eléctricos**

- Confíe los trabajos eléctricos a un electricista especializado.
- Desconecte el producto de la red eléctrica y asegúrelo contra reconexiones antes de realizar cualquier trabajo.
- Cumpla las normativas locales al conectar la corriente.
- Cumpla las especificaciones de la compañía eléctrica local.
- Instruya al personal sobre la ejecución de la conexión eléctrica.
- Instruya al personal sobre las posibilidades de desconexión del producto.
- Respete los datos técnicos de estas instrucciones de instalación y funcionamiento, así como los de la placa de características.
- Conecte el producto a tierra.
- Cumpla las normativas sobre la conexión a la instalación de distribución eléctrica.
- Si se emplean controles de arranque electrónicos (por ejemplo: dispositivos de arranque progresivo o convertidores de frecuencia), se deben cumplir las normativas de compatibilidad electromagnética. Si es necesario, tenga en cuenta medidas especiales (por ejemplo, cable apantallado, filtro, etc.).
- Sustituya el cable de conexión defectuoso. Contacte con el servicio técnico.

### **2.4 Dispositivos de vigilancia**

Los siguientes dispositivos de vigilancia corren a cargo del propietario:

#### **Interruptor automático**

El tamaño y la característica de conmutación del interruptor automático dependen de la intensidad nominal del producto conectado. Tenga en cuenta los reglamentos locales.

#### **Guardamotor**

En productos que no vengan con enchufe, instalar un guardamotor a cargo del propietario. El requisito mínimo es contar con un relé térmico/guardamotor con compensación de temperatura, desconexión diferencial y bloqueo de reconexión de conformidad con las normativas locales. Para la conexión a redes eléctricas sensibles, se recomienda la instalación de dispositivos de protección (por ejemplo, relés de sobretensión, de baja tensión, de interrupción de fase, etc.) a cargo del propietario.

#### **Interruptor diferencial (RCD)**

Se deben cumplir las normativas de la compañía eléctrica local. Se recomienda utilizar un interruptor diferencial.

Si las personas pueden entrar en contacto con el producto y con líquidos conductivos, se debe asegurar la conexión **con** un interruptor diferencial (RFD).

### **2.5 Uso de medios perjudiciales para la salud**

Al usar el producto en entornos perjudiciales para la salud, existe peligro de infección bacteriana. Se debe limpiar y desinfectar minuciosamente el producto tras el desmontaje y antes de cada utilización. El operador debe asegurar los siguientes puntos:

- Durante la limpieza del producto, se debe facilitar y utilizar el siguiente equipo de protección:
  - Gafas de protección cerradas
  - Máscara respiratoria
  - Guantes de protección
- Todos deben estar informados sobre cómo se ha de usar el fluido, sobre cuáles son sus peligros asociados y sobre el manejo apropiado del mismo.

### **2.6 Transporte**

- Se debe utilizar el siguiente equipo de protección:
  - Calzado de seguridad
  - Casco protector (al usar equipo de elevación)

- Para el transporte, siempre se debe coger el producto por el asa de transporte. No tirar nunca del cable de entrada de corriente.
- Usar únicamente medios de fijación permitidos y especificados por la legislación.
- Seleccionar los medios de fijación según las condiciones existentes (condiciones atmosféricas, punto de anclaje, carga, etc.).
- Fijar siempre los medios de fijación a los puntos de anclaje (asa de transporte o argolla de elevación).
- Se debe garantizar la estabilidad del equipo de elevación durante su uso.
- Si se utilizan equipos de elevación, en caso de necesidad (por ejemplo: vista obstaculizada) deberá recurrirse a una segunda persona que coordine los trabajos.
- No está permitido que las personas permanezcan debajo de cargas suspendidas. **No** desplazar cargas sobre los puestos de trabajo en los que se hallen personas.

## 2.7 Trabajos de montaje/desmontaje

- Llevar el siguiente equipo de protección:
  - Calzado de seguridad
  - Guantes de protección contra cortes
  - Casco protector (al usar equipo de elevación)
- Respetar las leyes y normativas vigentes sobre la seguridad del trabajo y para evitar accidentes en el lugar de aplicación.
- Desconectar el producto de la red eléctrica y asegurarlo contra reconexiones no autorizadas.
- Todas las piezas giratorias deben estar paradas.
- Los espacios cerrados se deben airear suficientemente.
- Al trabajar en pozos y espacios cerrados, siempre debe estar presente una segunda persona para garantizar una mayor seguridad.
- Si se acumulan gases tóxicos o asfixiantes, se deberán tomar medidas para evitarlo.
- Limpiar a fondo el producto. Los productos que se usan en fluidos perjudiciales para la salud deben desinfectarse.
- Se debe asegurar que no exista peligro de explosión durante todos los trabajos de soldadura o los trabajos con aparatos eléctricos.

## 2.8 Durante el funcionamiento

- Llevar el siguiente equipo de protección:
  - Calzado de seguridad
  - Protección auditiva (según la indicación en el reglamento interno)
- No se puede permanecer en la zona de trabajo del producto. No debe haber personas en la zona de trabajo durante el funcionamiento.
- El operario deberá informar inmediatamente a su responsable sobre cada avería o irregularidad.
- Si aparecen averías que pongan en peligro la seguridad, el operario debe realizar la desconexión de inmediato:
  - Avería en los dispositivos de seguridad y vigilancia
  - Daños en las piezas de la carcasa
  - Daños en los dispositivos eléctricos
- No tocar nunca las bocas de aspiración. Las piezas giratorias pueden aplastar y cortar las extremidades del cuerpo.
- Si se saca el motor durante el funcionamiento o durante una instalación en seco, la carcasa del motor puede calentarse hasta más de 40 °C (104 °F).
- Se deben abrir todas las llaves de corte en las tuberías del lado de impulsión y de aspiración.
- Asegurar que hay un nivel de recubrimiento mínimo del agua con una protección contra la marcha en seco.
- En condiciones de funcionamiento normales, el producto tiene una presión acústica por debajo de 85 dB(A). No obstante, la presión acústica real depende de varios factores:
  - Profundidad de montaje
  - Instalación
  - Fijación de accesorios y tuberías
  - Punto de funcionamiento
  - Profundidad de inmersión
- Si el producto se usa en condiciones de funcionamiento válidas, el operador debe realizar una medición de la presión acústica. Se debe utilizar protección acústica a partir de una presión de 85 dB(A), y se debe incluir un aviso en el reglamento interno.

## 2.9 Trabajos de mantenimiento

- Llevar el siguiente equipo de protección:
  - Gafas de protección cerradas
  - Calzado de seguridad

- Guantes de protección contra cortes
- Siempre se deben llevar a cabo los trabajos de mantenimiento fuera del lugar de trabajo/lugar de emplazamiento.
- Solo se pueden llevar a cabo los trabajos de mantenimiento descritos en estas instrucciones de instalación y funcionamiento.
- Para el mantenimiento y la reparación, solo se pueden utilizar piezas originales del fabricante. El uso de piezas no originales exime al fabricante de toda responsabilidad.
- Los escapes de fluidos y de material de servicio se deben registrar de inmediato y eliminar según las directivas locales vigentes.
- Las herramientas deben almacenarse en los lugares previstos.
- Después de concluir los trabajos, se deben volver a colocar los dispositivos de seguridad y vigilancia y comprobar su funcionamiento correcto.

#### **Cambio del material de servicio**

En caso de defecto, en el motor se puede formar una presión **de varios bar**. Esta presión se escapa **al abrir** el tapón roscado. Los tapones roscados que se hayan dejado sueltos por un descuido pueden salir disparados a gran velocidad. Para evitar lesiones, se deben observar las siguientes instrucciones:

- Se debe respetar el orden establecido de los pasos de trabajo.
  - Retirar los tapones roscados despacio y nunca del todo. En cuanto se escapa la presión (silbido o pitido audible del aire), no se debe seguir girando.
- ¡ADVERTENCIA! Si se escapa la presión, también se puede salpicar el material de servicio. Se pueden producir quemaduras. Para evitar lesiones, se debe dejar enfriar el motor a temperatura ambiente antes de realizar todos los trabajos.**
- Esperar hasta que la presión haya escapado completamente para sacar completamente el tapón roscado.

#### **2.10 Material de servicio**

En la cámara de obturación y en el sistema de refrigeración el motor está lleno de aceite blanco o una mezcla agua-glicol. Los materiales de servicio se deben cambiar en los trabajos de mantenimiento periódicos y eliminar según las directivas locales.

#### **2.11 Obligaciones del operador**

- Facilitar al personal las instrucciones de instalación y funcionamiento en su idioma.
- Asegurar la formación necesaria del personal para los trabajos indicados.
- Facilitar el equipo de protección necesario y asegurarse de que el personal lo utiliza.
- Las placas de identificación y seguridad colocadas en el producto siempre deben mantenerse legibles.
- Formar al personal sobre el funcionamiento de la instalación.
- Eliminar los peligros debidos a la energía eléctrica.
- El propietario debe equipar los componentes peligrosos dentro de la instalación con una protección contra contacto accidental.
- Identificar y asegurar la zona de trabajo.
- Para un desarrollo seguro del trabajo, definir la distribución de trabajo del personal.

Está prohibido el manejo del producto por parte de niños y personas menores de 16 años o con capacidades físicas, sensoriales o mentales limitadas. Una persona especializada debe supervisar a los menores de 18 años.

### **3 Utilización**

#### **3.1 Uso previsto**

Las bombas sumergibles son apropiadas para la impulsión de los siguientes fluidos:

- Aguas residuales con residuos fecales
- Agua sucia (con pequeñas cantidades de agua y guijarros)
- Aguas residuales de proceso
- Fluidos con materia seca hasta un máximo del 8 %

## 3.2 Uso no previsto

### PELIGRO



#### Explosión por la impulsión de fluidos explosivos.

Se prohíbe terminantemente la impulsión de fluidos muy inflamables y explosivos (gasolina, queroseno, etc.) en sus formas puras. Riesgo de lesiones mortales por explosión. Las bombas no se han diseñado para estos fluidos.

### PELIGRO



#### Peligro por fluidos perjudiciales para la salud.

Si se usa la bomba con fluidos perjudiciales para la salud, esta se debe descontaminar tras el desmontaje y antes de cualquier trabajo. Riesgo de lesiones mortales. Seguir las indicaciones del reglamento interno. El operador debe asegurarse de que el personal ha recibido y leído el reglamento interno.

Las bombas sumergibles **no** deben utilizarse para impulsar lo siguiente:

- Agua potable
- Fluidos con componentes duros (como piedras, madera, metal, arena, etc.)
- Fluidos con gran cantidad de elementos abrasivos (p. ej. arena, guijarros)

El cumplimiento de estas instrucciones también forma parte del uso previsto. Todo uso que no figure en estas instrucciones se considerará como no previsto.

## 4 Descripción del producto

### 4.1 Construcción

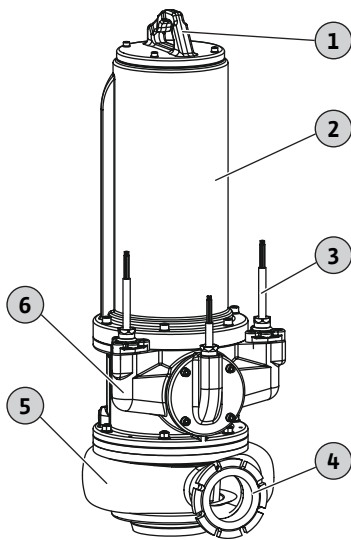


Fig. 1: Vista general

Bomba de motor sumergible de aguas residuales como grupo monobloc inundable para instalación sumergida y en seco para el funcionamiento continuo.

1	Asa de transporte
2	Motor
3	Cable de conexión
4	Boca de impulsión
5	Carcasa hidráulica
6	Alojamiento del cojinete

#### 4.1.1 Sistema hidráulico

Sistema hidráulico centrífugo con distintos tipos de rodete, unión embridada horizontal del lado de impulsión, tapa de agujero de limpieza, así como anillo de desgaste y de rodadura. El conjunto hidráulico **no** es autoaspirante, es decir, el fluido fluye de manera autónoma o con presión previa.

**Tipos de rodete**

Cada tipo de rodete depende del tamaño del conjunto hidráulico y no siempre existe un tipo de rodete para todo conjunto hidráulico. A continuación se muestra una vista general de los distintos tipos de rodetes:

- Rodete vortex
- Rodete monocanal
- Rodete de dos canales
- Rodete de tres canales
- Rodete de cuatro canales
- Rodete SOLID, cerrado o semiabierto

**Tapa de agujero de limpieza (en función del conjunto hidráulico)**

Orificio adicional en la carcasa hidráulica. Por medio de este orificio se pueden eliminar los atascos en el conjunto hidráulico.

**Anillo de desgaste y anillo de rodadura (en función del conjunto hidráulico)**

La boca de aspiración y el rodete son los que están sometidos a mayores esfuerzos durante la impulsión. En los rodetes de canal, el espacio entre el rodete y la boca de aspiración es un factor importante para un rendimiento constante. Cuanto mayor sea el espacio entre el rodete y la boca de aspiración, mayores serán las pérdidas en la potencia de impulsión. Baja el rendimiento y aumenta el peligro de obstrucción. Para garantizar un funcionamiento prolongado y eficiente del conjunto hidráulico se debe montar un anillo de desgaste o un anillo de rodadura en función del rodete y el conjunto hidráulico.

- Anillo de rodadura  
El anillo de rodadura se coloca en los rodetes del canal y protege el borde de ataque del rodete.
- Anillo de desgaste  
El anillo de desgaste se monta en la boca de aspiración del conjunto hidráulico y protege el borde de ataque en la cámara centrífuga.

En caso de desgaste, los dos componentes pueden sustituirse fácilmente cuando sea necesario.

**4.1.2 Motor**

Como accionamiento se utilizan motores sumergibles autorrefrigerantes en ejecución de corriente trifásica. El motor puede utilizarse sumergido y en la superficie durante el funcionamiento continuo. Es posible el funcionamiento continuo en una instalación en seco. Los rodamientos de bolas están lubricados de forma permanente y, de este modo, están libres de mantenimiento. El cable de conexión es longitudinalmente hermético y posee extremos libres.

**4.1.3 Sistema de refrigeración**

El motor tiene un sistema de refrigeración activo con circuito de refrigeración separado. Como refrigerante se usa la mezcla agua-glicol P35. La circulación del refrigerante se realiza por medio del rodete. El rodete se acciona con un acoplamiento magnético mediante el eje del motor. El calor residual se disipa directamente al fluido mediante la brida refrigerante. El sistema de refrigeración en sí está despresurizado en estado frío. Una válvula de sobrepresión instalada limita la presión máx. a 3 bar en caso de fallo.

**¡ATENCIÓN! La válvula de sobrepresión está instalada de serie a partir del año de fabricación 2015. En los motores sin válvula de sobrepresión se puede formar una presión muy elevada en el sistema de refrigeración en caso de fallo. Se necesita obligatoriamente una transformación. Contacte con el servicio técnico para una transformación.**

**4.1.4 Sellado**

El sellado del fluido y del compartimento del motor se realiza con varios tipos:

- Ejecución "G": dos cierres mecánicos independientes
- Ejecución "K": dos cierres mecánicos en un cartucho de sellado de bloque de acero inoxidable

La cámara de obturación o la cámara de fugas absorben cualquier escape del sellado:

- La cámara de separación absorbe cualquier posible escape del sellado del lado del fluido.
- La cámara de fugas absorbe cualquier posible escape del sellado del lado del motor.

La cámara de separación situada entre los cierres mecánicos se ha rellenado con aceite blanco medicinal. La cámara de fugas está vacía.

#### 4.1.5 Material

En la ejecución estándar se utilizan los siguientes materiales:

- Carcasa de la bomba: EN-GJL-250 (ASTM A48 Class 35/40B)
- Rodete: EN-GJL-250 (ASTM A48 Class 35/40B)
- Carcasa del motor: EN-GJL-250 (ASTM A48 Class 35/40B)
- Sellado:
  - Lado del motor:
    - Ejecución "G": carbón/cerámica
    - Ejecución "K": SiC/SiC
  - Lado del fluido: SiC/SiC
  - Estático: NBR (nitrilo)

La información exacta sobre los materiales se muestra en la configuración correspondiente.

#### 4.2 Dispositivos de vigilancia

Vista general de los dispositivos de vigilancia posibles:

	HC 20.1	HC 20.1 ...-E3
Dispositivos de vigilancia internos		
Compartimento de los abrazaderos/del motor	•	•
Bobina del motor	•	•
Rodamiento	o	o
Cámara de separación	–	–
Cámara de fugas	•	•
Sensor de vibración	–	–
Dispositivos de vigilancia externos		
Cámara de separación	o	o

Legenda: – = no disponible/no es posible, o = opcional, • = de serie

**Todos los dispositivos de vigilancia deben estar siempre conectados.**

##### ***Vigilancia del compartimento de los bornes y del compartimento del motor***

La vigilancia del compartimento de los bornes y del compartimento del motor protege la conexión y el bobinado del motor de un cortocircuito. Un electrodo registra la humedad del compartimento de los bornes y del motor, respectivamente.

##### ***Vigilancia de la bobina del motor***

El control térmico del motor protege la bobina del motor contra el sobrecalentamiento. Hay un delimitador de temperatura con sensor PTC instalado.

##### ***Vigilancia externa de la cámara de separación***

La cámara de separación se puede equipar con un electrodo de varilla externo. El electrodo registra la entrada de fluidos a través del cierre mecánico en el lado del medio. Mediante el control de la bomba se puede, por lo tanto, emitir una alarma o realizar la desconexión de la bomba.

##### ***Vigilancia de la cámara de fugas***

La cámara de fugas está equipada con un interruptor de flotador. El interruptor de flotador registra la entrada de fluidos a través del cierre mecánico en el lado motor. Mediante el control de la bomba se puede, por lo tanto, emitir una alarma o realizar la desconexión de la bomba.

##### ***Vigilancia del rodamiento***

La vigilancia térmica del rodamiento protege el rodamiento de bolas de un sobrecalentamiento. Para registrar la temperatura se utilizan sensores Pt100.



**4.3 Modos de funcionamiento**

**Modo de funcionamiento S1: funcionamiento continuo**

La bomba puede funcionar de manera continua con una carga nominal sin que se supere la temperatura admisible.

**Modo de funcionamiento: funcionamiento sumergido**

El modo de funcionamiento «Funcionamiento sumergido» describe la posibilidad de que el motor esté sumergido durante el proceso de evacuación. De este modo se puede llevar a cabo un descenso más profundo del nivel de agua hasta el borde superior del sistema hidráulico. Observar los siguientes puntos durante el funcionamiento sumergido:

- Modo de funcionamiento: funcionamiento continuo (S1).
- Temperatura ambiente y de fluido máx.: la temperatura ambiente máx. se corresponde con la temperatura máx. del fluido según la placa de características.

**4.4 Funcionamiento con convertidor de frecuencia**

El funcionamiento está permitido en el convertidor de frecuencia. Consultar y observar los requisitos correspondientes del anexo.

**4.5 Funcionamiento en atmósferas explosivas**

	HC 20.1	HC 20.1 ...-E3
Homologación según ATEX	o	o
Homologación según FM	o	–
Homologación según CSA-Ex	–	–

Legenda: – = no disponible/no es posible, o = opcional, • = de serie

Para el uso en atmósferas explosivas, la bomba se debe identificar en la placa de características como sigue:

- Símbolo «Ex» de la correspondiente homologación
- Clasificación antideflagrante

**Consultar y observar los requisitos correspondientes del capítulo de protección antideflagrante en el anexo de las presentes instrucciones de instalación y funcionamiento.**

**Homologación ATEX**

Las bombas son aptas para el funcionamiento en áreas con riesgo de explosión:

- Grupo de aparatos: II
- Categoría: 2, zona 1 y zona 2

**Las bombas no deben utilizarse en la zona 0.**

**Homologación FM**

Las bombas son aptas para el funcionamiento en áreas con riesgo de explosión:

- Tipo de protección: Explosionproof
- Categoría: Class I, Division 1

Aviso: Si el cableado se realiza según Division 1, la instalación también está homologada para Class I, Division 2.

**4.6 Placa de características**

A continuación se muestra una vista general de las abreviaturas y los datos correspondientes indicados en la placa de características:

Denominación de placa de características	Valor
P-Typ	Tipo de bomba
M-Typ	Tipo de motor
S/N	Núm. de serie
Art.-No.	Referencia
MFY	Fecha de fabricación*

Denominación de placa de características	Valor
$Q_N$	Punto de trabajo del caudal
$Q_{max}$	Caudal máx.
$H_N$	Punto de trabajo de altura de impulsión
$H_{max}$	Altura de impulsión máx.
$H_{min}$	Altura de impulsión mín.
n	Velocidad
T	Temperatura máx. del fluido
IP	Clase de protección
I	Intensidad nominal
$I_{ST}$	Corriente de arranque
$I_{SF}$	Intensidad nominal con factor de servicio
$P_1$	Consumo de potencia
$P_2$	Potencia nominal
U	Tensión asignada
f	Frecuencia
$\cos \varphi$	Rendimiento del motor
SF	Factor de servicio
$OT_S$	Modo de funcionamiento: sumergido
$OT_E$	Modo de funcionamiento: en la superficie
AT	Tipo de arranque
$IM_{org}$	Diámetro de rodete: Original
$IM_{korr}$	Diámetro del rodete: corregido

\* La fecha de fabricación se indica según ISO 8601: JJJJww

- JJJJ = año
- W = abreviatura de semana
- ww = indicación de semana del año

#### 4.7 Código

Ejemplo: Wilo-EMU FA 10.82E + HC 20.1-4/22KEx-E3  
 Wilo-Rexa SUPRA-V10-736A + HC 20.1-4/22KEx-E3  
 Wilo-Rexa SOLID-Q10-345A + HC 20.1-4/22KEx-E3

##### Códigos hidráulicos "EMU FA"

FA	Bomba para aguas residuales
10	x10 = diámetro nominal de conexión de impulsión
82	Número de potencia interno
E	Tipo de rodete: W = rodete vortex E = rodete monocanal Z = rodete de dos canales D = rodete de tres canales V = rodete de cuatro canales T = rodete de dos canales cerrado G = rodete monocanal semiabierto

##### Códigos hidráulicos "Rexa SUPRA"

SUPRA	Bomba para aguas residuales
V	Tipo de rodete: V = rodete vortex

Ejemplo: Wilo-EMU FA 10.82E + HC 20.1-4/22KEx-E3  
 Wilo-Rexa SUPRA-V10-736A + HC 20.1-4/22KEx-E3  
 Wilo-Rexa SOLID-Q10-345A + HC 20.1-4/22KEx-E3

	C = rodete monocanal M = rodete multicanal
10	x10 = diámetro nominal de conexión de impulsión
73	Número de potencia interno
6	Número de curvas características
A	Ejecución de material: A = ejecución estándar B = protección contra la corrosión 1 D = protección contra la abrasión 1 X = configuración especial

#### Códigos hidráulicos "Rexa SOLID"

SOLID	Bomba para aguas residuales con rodete SOLID
Q	Tipo de rodete: T = rodete de dos canales cerrado G = rodete monocanal semiabierto Q = rodete de dos canales semiabierto
10	x10 = diámetro nominal de conexión de impulsión
34	Número de potencia interno
5	Número de curvas características
A	Ejecución de material: A = ejecución estándar B = protección contra la corrosión 1 D = protección contra la abrasión 1 X = configuración especial

#### Códigos de motor

HC	Motor autorrefrigerado con circuito de refrigeración separado
20	Tamaño
1	Número de referencia interno
4	Número de polos
22	Longitud del paquete en cm
K	Ejecución de junta
Ex	Con homologación para uso en zonas explosivas
E3	Clase de eficiencia energética IE (conforme a IEC 60034-30)

#### 4.8 Suministro

- Bomba con extremo de cable libre
- Longitud de cable según los requisitos del cliente
- Accesorios montados, por ejemplo: electrodo de varilla externo, pie de bomba, etc.
- Instrucciones de instalación y funcionamiento

#### 4.9 Accesorios

- Dispositivo de fijación
- Pie de bomba
- Ejecuciones especiales con recubrimientos Ceram o materiales especiales
- Electrodo de varilla externo para control de la sección impermeable
- Controles de nivel
- Accesorios de fijación y cadenas
- Cuadros de control, relés y enchufes

### 5 Transporte y almacenamiento

## 5.1 Entrega

Tras la recepción de la mercancía, esta se debe comprobar inmediatamente en busca de defectos (daños, integridad). Los daños existentes deben quedar señalados en el documento de transporte. Además, se deben indicar los defectos el mismo día de la recepción a la empresa de transportes o el fabricante. Posteriormente no se podrán realizar reclamaciones de este tipo.

## 5.2 Transporte

### ADVERTENCIA



#### Permanencia debajo de cargas suspendidas.

No está permitido que las personas permanezcan debajo de cargas suspendidas. Existe peligro de lesiones (graves) por caída de piezas. Las cargas no se deben mover por encima de los puestos de trabajo en los que haya personas.

### ADVERTENCIA



#### Lesiones en la cabeza o los pies por ausencia de equipo de protección.

Existe peligro de lesiones (graves) durante el trabajo. Llevar el siguiente equipo de protección:



- Calzado de seguridad
- Si se emplea un equipo de elevación, se debe utilizar además un casco protector.

### AVISO



#### Utilice solamente un equipo de elevación en perfecto estado técnico.

Utilice solamente un equipo de elevación en perfecto estado técnico para elevar y descender la bomba. Se debe garantizar que la bomba no se queda enganchada durante los procesos de elevación y bajada. **No** se debe sobrepasar la capacidad de carga máxima permitida del equipo de elevación. Compruebe el equipo de elevación funcione correctamente antes de su utilización.

Para que la bomba no se dañe durante el transporte, primero se debe retirar el embalaje exterior en el lugar de instalación. Si se envían bombas usadas, se deben embalar en sacos de plástico suficientemente grandes y resistentes a la rotura.

Además, se debe tener en cuenta lo siguiente:

- Se deben respetar las normas de seguridad vigentes nacionales.
- Se deben usar medios de fijación permitidos y especificados por la legislación.
- Seleccionar los medios de fijación según las condiciones existentes (condiciones atmosféricas, punto de anclaje, carga, etc.).
- Fijar los medios de fijación solo en el punto de anclaje. La fijación se debe realizar con un grillete.
- Usar equipos de elevación con capacidad de carga suficiente.
- Se debe garantizar la estabilidad del equipo de elevación durante su uso.
- Si se utilizan equipos de elevación, en caso de necesidad (por ejemplo: vista obstaculizada) deberá recurrirse a una segunda persona que coordine los trabajos.

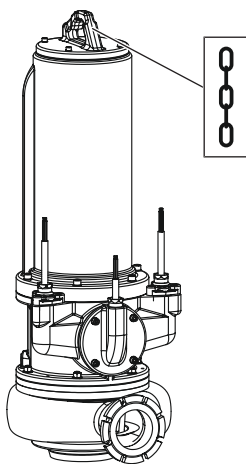


Fig. 2: Punto de anclaje

## 5.3 Almacenamiento

### PELIGRO



#### Peligro por fluidos perjudiciales para la salud.

Si se usa la bomba con fluidos perjudiciales para la salud, esta se debe descontaminar tras el desmontaje y antes de cualquier trabajo. Riesgo de lesiones mortales. Seguir las indicaciones del reglamento interno. El operador debe asegurarse de que el personal ha recibido y leído el reglamento interno.

### ADVERTENCIA



#### Bordes afilados en el rodete y la boca de aspiración.

En el rodete y la boca de aspiración se pueden formar bordes afilados. Existe peligro de cortes en las extremidades. Se deben utilizar guantes de protección contra cortes.

### ATENCIÓN

#### Siniestro total por entrada de humedad

La entrada de humedad en el cable de entrada de corriente daña dicho cable y la bomba. No sumergir nunca en líquido el extremo del cable de entrada de corriente y cerrar bien durante el almacenamiento.

Las bombas recibidas recientemente se pueden almacenar durante un año. Para un almacenamiento de más de un año, ponerse en contacto con el servicio técnico.

Además, se debe tener en cuenta lo siguiente para el almacenamiento:

- La bomba está de pie, en vertical, sobre una base firme **y está segura contra caídas y deslizamientos.**
- La temperatura de almacenado máxima está entre los  $-15\text{ °C}$  y los  $+60\text{ °C}$  ( $5$  y  $140\text{ °F}$ ), con una humedad máxima del aire del  $90\%$  sin condensación. Se recomienda un almacenamiento protegido contra las heladas a una temperatura de entre  $5\text{ °C}$  y  $25\text{ °C}$  ( $41$  y  $77\text{ °F}$ ) con una humedad relativa del aire del  $40\%$  al  $50\%$ .
- No almacenar la bomba en espacios en los que se realizan trabajos de soldadura. Los gases o la radiación formados pueden afectar a los recubrimientos y las piezas de elastómero.
- Cerrar bien la conexión de impulsión y de aspiración.
- Se deben proteger los cables de entrada de corriente contra pliegues y daños.
- Se debe proteger la bomba de la radiación solar directa y el calor. El calor extremo puede provocar daños en los rodetes y el recubrimiento.
- Los rodetes deben girarse  $180^\circ$  a intervalos regulares (3 – 6 meses). De este modo, se evita el agarrotamiento de los cojinetes y se renueva la capa de lubricante del cierre mecánico. **¡ADVERTENCIA! Existe peligro de lesiones por bordes afilados en el rodete y la boca de aspiración.**
- Las piezas de elastómero y el recubrimiento están sujetos a una fragilización natural. En caso de un almacenamiento de más de 6 meses, se debe consultar al servicio técnico.

Tras el almacenamiento, se debe limpiar la bomba de polvo y aceite y se deben comprobar los recubrimientos por si hubiera daños. Los recubrimientos dañados se deben reparar antes del siguiente uso.

## 6 Instalación y conexión eléctrica

### 6.1 Cualificación del personal

- Trabajos eléctricos: un electricista especializado debe realizar los trabajos eléctricos.
- Trabajos de montaje/desmontaje: el personal especializado debe tener formación sobre el manejo de las herramientas necesarias y los materiales de fijación requeridos para el terreno existente.

## 6.2 Tipos de instalación

- Instalación sumergida fija dispuesta en vertical con dispositivo de fijación
- Instalación sumergida portátil dispuesta en vertical con pie de bomba
- Instalación en seco fija dispuesta en vertical

Los siguientes tipos de instalación **no** están permitidos:

- Instalación horizontal

## 6.3 Obligaciones del operador

- Se deben respetar las normativas de prevención de accidentes y las normativas de seguridad locales vigentes de las asociaciones profesionales.
- Se deben respetar todas las normativas para el trabajo con cargas pesadas y debajo de cargas suspendidas.
- Se debe facilitar un equipo de protección y asegurarse de que el personal lo utiliza.
- Para el funcionamiento de instalaciones de saneamiento se deben respetar las normativas de saneamiento locales.
- Evitar los golpes de presión.  
En tubos de impulsión prolongados con un perfil de inclinación marcado, se pueden dar golpes de presión. Estos golpes de presión pueden provocar la destrucción de la bomba.
- Dependiendo de las condiciones de funcionamiento y del tamaño del pozo, se debe asegurar el tiempo de enfriamiento del motor.
- Los elementos constructivos y los cimientos deben tener la suficiente resistencia como para permitir una fijación y un funcionamiento seguros. El operador es responsable de facilitar y de la idoneidad de los elementos constructivos y los cimientos.
- Comprobar que la documentación de planificación disponible (planos de montaje, ejecución del lugar de trabajo, condiciones de entrada) está completa y es correcta.

## 6.4 Instalación

### PELIGRO



#### Peligro de muerte por realizar trabajos peligrosos solo.

Los trabajos en pozos o espacios reducidos, así como los trabajos con peligro de caída son trabajos peligrosos. Estos trabajos no se pueden realizar estando solo. Como medida preventiva, debe estar presente una segunda persona.

### ADVERTENCIA



#### Lesiones en manos y pies por ausencia de equipo de protección.

Existe peligro de lesiones (graves) durante el trabajo. Llevar el siguiente equipo de protección:

- Guantes de protección contra cortes
- Calzado de seguridad
- Si se emplea un equipo de elevación, se debe utilizar además un casco protector.

### AVISO



#### Utilice solamente un equipo de elevación en perfecto estado técnico.

Utilice solamente un equipo de elevación en perfecto estado técnico para elevar y descender la bomba. Se debe garantizar que la bomba no se queda enganchada durante los procesos de elevación y bajada. **No** se debe sobrepasar la capacidad de carga máxima permitida del equipo de elevación. Compruebe el equipo de elevación funcione correctamente antes de su utilización.

- El lugar de trabajo/instalación se debe preparar de la siguiente manera:
  - Limpio, libre de sólidos gruesos
  - Seco

- Protegido contra las heladas
- Descontaminado
- Si se acumulan gases tóxicos o asfixiantes, se deberán adoptar medidas para evitarlo.
- El medio de suspensión de cargas debe fijarse con un grillete al punto de anclaje. Solo pueden utilizarse medios de fijación autorizados para la construcción.
- Para elevar, descender y transportar la bomba se debe utilizar el medio de suspensión de cargas. No tirar nunca de la bomba por el cable de entrada de corriente.
- Debe ser posible montar un equipo de elevación sin peligro. Debe ser posible alcanzar con el equipo de elevación el lugar de almacenamiento, así como el lugar de trabajo/instalación. El lugar de instalación debe tener una base sólida.
- Los cables de entrada de corriente tendidos deben permitir un funcionamiento sin peligro. Se debe comprobar si la sección transversal del cable y la longitud de este son suficientes para el tipo de tendido seleccionado.
- En caso de utilizar cuadros de control, deberá observarse la correspondiente clase IP. Se debe instalar el cuadro de control protegido contra inundaciones y fuera de las áreas con riesgo de explosión.
- Para evitar la entrada de aire en el fluido, se debe usar una placa desviadora o de guía para la entrada. El aire entrante se puede acumular en el sistema de tuberías y provocar condiciones de funcionamiento no permitidas. Se debe eliminar la formación de burbujas de aire mediante dispositivos de purga.
- Está prohibida la marcha en seco de la bomba. Se debe evitar que se formen burbujas de aire en la carcasa hidráulica o en el sistema de tuberías. Nunca se debe permitir que el nivel de agua baje por debajo de lo indicado. Se recomienda la instalación de protección contra marcha en seco.

**6.4.1 Indicaciones para el funcionamiento con bomba doble**

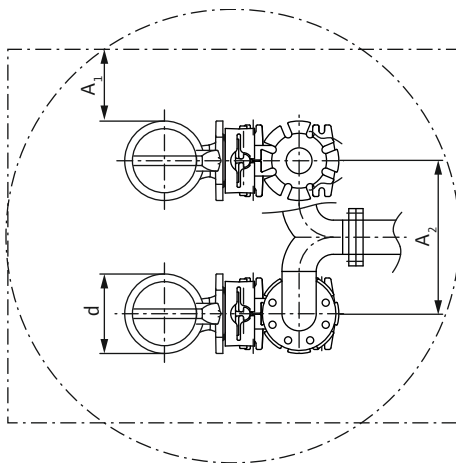


Fig. 3: Distancias mínimas

Si en un lugar de trabajo se usan varias bombas, se deben respetar unas distancias mínimas entre las bombas y respecto a la pared. Las distancias se distinguen en función del tipo de instalación: Modo de alternancia o funcionamiento en paralelo.

d	Diámetro de la carcasa del sistema hidráulico
A <sub>1</sub>	Distancia mínima a la pared:
	- Modo de alternancia: mín. 0,3 × d - Funcionamiento en paralelo: mín. 1 × d
A <sub>2</sub>	Distancia tubo de impulsión
	- modo de alternancia: mín. 1,5 × d - Funcionamiento en paralelo: mín. 2 × d

**6.4.2 Trabajos de mantenimiento**

Tras un almacenamiento de más de 6 meses, realice los siguientes trabajos de mantenimiento antes de la instalación:

- Girar el rodete.
- Comprobar el aceite de la cámara de separación.
- Comprobar el refrigerante.

**6.4.2.1 Giro del rodete**

**ADVERTENCIA**



**Bordes afilados en el rodete y la boca de aspiración.**

En el rodete y la boca de aspiración se pueden formar bordes afilados. Existe peligro de cortes en las extremidades. Se deben utilizar guantes de protección contra cortes.

- ✓ La bomba **no** está conectada a la red eléctrica.
  - ✓ Se debe llevar el equipo de protección.
1. Colocar la bomba en vertical sobre una base resistente. **¡ADVERTENCIA! Peligro de aplastamiento de las manos. Asegurar la bomba contra caídas y deslizamientos.**
  2. Introducir lentamente las manos con cuidado en la carcasa hidráulica a través de la boca de impulsión y girar el rodete.

#### 6.4.2.2 Comprobar el refrigerante

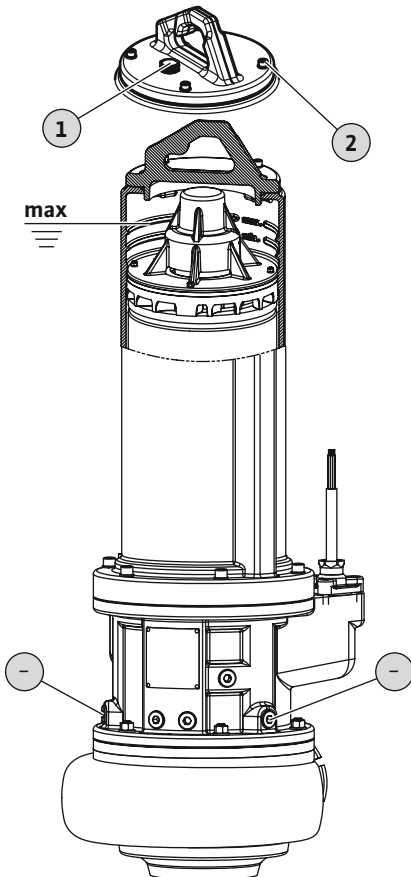


Fig. 4: Comprobar el refrigerante

1	Válvula de sobrepresión
2	Tornillos con hexágono interior para la fijación de la cubierta del motor
-	Descargar el refrigerante

- ✓ La bomba **no** está montada.
  - ✓ La bomba **no** está conectada a la red eléctrica.
  - ✓ Se debe llevar el equipo de protección.
1. Deposite la bomba en vertical sobre una base sólida. **¡ADVERTENCIA! Peligro de aplastamiento de las manos. Asegure la bomba contra caídas y desplazamientos.**
  2. Coloque un depósito adecuado para recoger el material de servicio.
  3. Para purgar una posible sobrepresión, desenrosque la válvula de sobrepresión aprox. 3 – 4 vueltas.  
**¡ATENCIÓN! ¡No desenrosque completamente la válvula de sobrepresión!**
  4. Cuando se haya eliminado la sobrepresión, enrosque de nuevo la válvula de sobrepresión. **Par de apriete máx.: 55 Nm (40,5 ft·lb).**
  5. Desatornille en cruz los tornillos con hexágono interior de la cubierta del motor.
  6. Retire la cubierta del motor.
  7. En el lado interior de la carcasa hay dos marcas. El material de servicio debe alcanzar la marca superior "máx.". Si no hay suficiente material de servicio, rellene con material de servicio hasta la marca. Respete los datos sobre el material de servicio, véase el capítulo "Mantenimiento".
  8. Saque el material de servicio con una pipeta de prueba.
  9. Compruebe el material de servicio:
    - ⇒ Si el material de servicio tiene un color claro, entonces se puede reutilizar.
    - ⇒ Si el material de servicio está sucio (turbio/oscuero), entonces se debe rellenar con nuevo material de servicio, véase el capítulo "Mantenimiento". Deseche el material de servicio según las normativas locales.
    - ⇒ Si hay virutas metálicas en el material de servicio, informe al servicio técnico.
  10. Limpie la cubierta del motor y renueve la junta tórica.
  11. Ponga la cubierta del motor en la carcasa del motor y atornille de nuevo los tornillos con hexágono interior. **Par de apriete máximo: véase anexo.**



### 6.4.2.3 Comprobación del aceite en la cámara de obturación

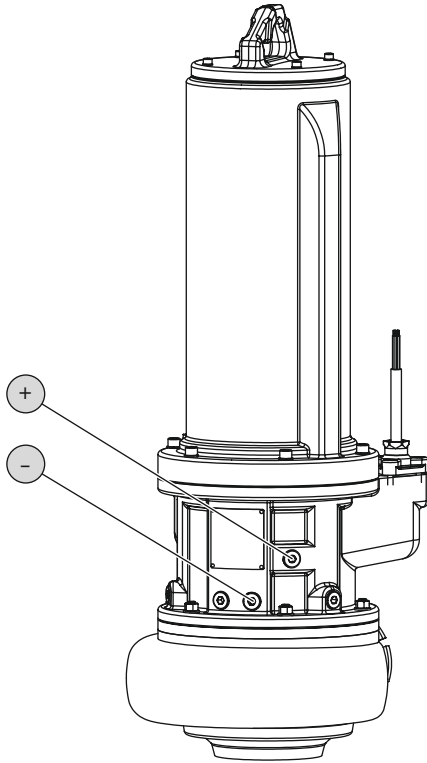


Fig. 5: Cámara de separación: Comprobar el aceite

+	Llenar la cámara de separación con aceite
-	Evacuar el aceite de la cámara de separación

- ✓ La bomba **no** está montada.
  - ✓ La bomba **no** está conectada a la red eléctrica.
  - ✓ Se debe llevar el equipo de protección.
1. Depositar la bomba en vertical sobre una base sólida. **¡ADVERTENCIA! Peligro de aplastamiento de las manos. Asegurar la bomba contra caídas y deslizamientos.**
  2. Se debe colocar un depósito adecuado para recoger el material de servicio.
  3. Desenroscar el tapón roscado (+).
  4. Desenroscar el tapón roscado (-) y evacuar el material de servicio. Si hay una llave esférica de cierre montada en el orificio de salida, abrir la llave esférica de cierre.
  5. Comprobar el material de servicio:
    - ⇒ Si el material de servicio tiene un color claro, entonces se puede reutilizar.
    - ⇒ Si el material de servicio está sucio (negro), entonces se debe rellenar con nuevo material de servicio. El material de servicio se debe desechar según las normativas locales.
    - ⇒ Si hay virutas metálicas en el material de servicio, informar al servicio técnico.
  6. Si hay una llave esférica de cierre montada en el orificio de salida, cerrar la llave esférica de cierre.
  7. Limpiar el tapón roscado (-), colocar un anillo de retención nuevo y volver a enroscarlo. **Par de apriete máximo: 8 Nm (5,9 ft·lb).**
  8. Verter material de servicio por el orificio del tapón roscado (+).
    - ⇒ Se deben respetar los datos respecto al tipo y la cantidad de material de servicio. En caso de reutilización del material de servicio, también se debe comprobar la cantidad y adaptarla, si procede.
  9. Limpiar el tapón roscado (+), colocar un anillo de retención nuevo y volver a enroscarlo. **Par de apriete máximo: 8 Nm (5,9 ft·lb).**

### 6.4.3 Instalación sumergida fija

#### AVISO



#### Problemas de impulsión por un nivel de agua demasiado bajo

Si el nivel de fluido es demasiado bajo, se puede producir una separación del caudal. Además, se pueden formar cámaras de aire en el conjunto hidráulico, las cuales provocan unas condiciones de servicio inadmisibles. El nivel mínimo de agua permitido debe alcanzar el borde superior de la carcasa hidráulica.

En la instalación sumergida, la bomba se instala en el fluido. Para ello, en el pozo se debe instalar un dispositivo de fijación. En el dispositivo de fijación se conecta el sistema de tuberías del lado de impulsión a cargo del propietario, del lado de aspiración se conecta la bomba. El sistema de tuberías conectado debe ser autoportante. El dispositivo de fijación **no** debe sostener el sistema de tuberías.

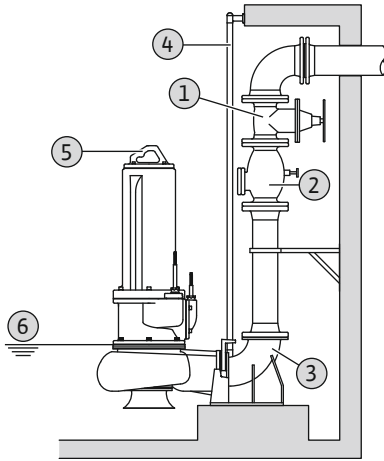


Fig. 6: Instalación sumergida fija

### Pasos de trabajo

1	Llave de corte
2	Válvula antirretorno
3	Zócalo de descarga
4	Tubos guía (a cargo del propietario)
5	Punto de anclaje para el equipo de elevación
6	Nivel de agua mínimo

- ✓ El lugar de trabajo/instalación está preparado para la instalación.
- ✓ Se han instalado el dispositivo de fijación y el sistema de tuberías.
- ✓ La bomba está preparada para el funcionamiento en el dispositivo de fijación.
  1. Fijar el equipo de elevación con un grillete en el punto de anclaje de la bomba.
  2. Elevar la bomba, girar por encima de la abertura del pozo y bajar lentamente la garra de guía en el tubo guía.
  3. Bajar la bomba hasta que esta esté asentada sobre el dispositivo de fijación y se acople automáticamente. **¡ATENCIÓN! Al bajar la bomba se deben mantener ligeramente tensados los cables de entrada de corriente.**
  4. Soltar los medios de fijación del equipo de elevación y asegurarlos para que no se caigan en la salida del pozo.
  5. Un electricista especializado debe tender los cables de entrada de corriente en el pozo y guiarlos fuera de este correctamente.
- ▶ La bomba está instalada, el electricista especializado puede efectuar la conexión eléctrica.

#### 6.4.4 Instalación sumergida portátil

#### ADVERTENCIA



#### Peligro de quemaduras por superficies calientes.

La carcasa del motor se puede calentar durante el funcionamiento. Se pueden producir quemaduras. Dejar enfriar la bomba a temperatura ambiente tras desconectar.

#### ADVERTENCIA



#### Separación de la manguera de impulsión

Al separarse o desprenderse la manguera de impulsión se pueden provocar lesiones (graves). Fijar la manguera de impulsión de forma segura en el desagüe. Se deben evitar dobles en la manguera de impulsión.

#### AVISO



#### Problemas de impulsión por un nivel de agua demasiado bajo

Si el nivel de fluido es demasiado bajo, se puede producir una separación del caudal. Además, se pueden formar cámaras de aire en el conjunto hidráulico, las cuales provocan unas condiciones de servicio inadmisibles. El nivel mínimo de agua permitido debe alcanzar el borde superior de la carcasa hidráulica.

Para la instalación portátil, la bomba debe estar equipada con un pie de bomba. El pie de bomba garantiza que se mantiene una distancia mínima con respecto al suelo y permite una estabilidad segura en una base sólida. De esta manera, en este tipo de instalación es posible cualquier posicionamiento en el lugar de trabajo/instalación. Para evitar el hundimiento en bases blandas, se debe usar una base dura en el lugar de montaje. Debe acoplarse una manguera de impulsión del lado de impulsión. Montar la bomba de manera fija al suelo para un

tiempo de funcionamiento prolongado. Esta medida evita las vibraciones y garantiza un funcionamiento silencioso y con poco desgaste.

**Pasos de trabajo**

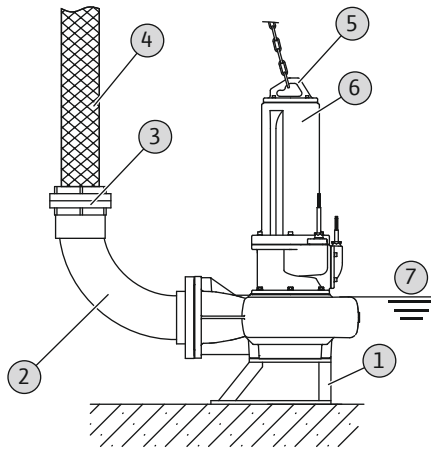


Fig. 7: Instalación sumergida portátil

1	Pie de bomba
2	Codo
3	Conexión rápida tipo Storz
4	Manguera de impulsión
5	Equipo de elevación
6	Punto de anclaje para el equipo de elevación
7	Nivel de agua mínimo

- ✓ Pie de bomba montado.
- ✓ Conexión de impulsión preparada: curva de tubo con conexión de manguera o curva de tubo con conexión rápida tipo Storz montada.
  1. Fijar el equipo de elevación con un grillete en el punto de anclaje de la bomba.
  2. Elevar la bomba y depositarla en el lugar de trabajo previsto (pozo, fosa).
  3. Depositar la bomba sobre una base sólida. **¡ATENCIÓN! Se debe evitar el hundimiento.**
  4. Tender la manguera de impulsión y fijarla en el lugar especificado (por ejemplo: el desagüe). **¡PELIGRO! La separación o el desprendimiento de la manguera de impulsión pueden provocar lesiones (graves). Fijar la manguera de impulsión de forma segura en el desagüe.**
  5. Colocar correctamente el cable de entrada de corriente. **¡ATENCIÓN! No dañar el cable de entrada de corriente.**
    - ▶ La bomba está instalada, el electricista especializado puede efectuar la conexión eléctrica.

**6.4.5 Instalación en seco fija**

**AVISO**



**Problemas de impulsión por un nivel de agua demasiado bajo**

Si el nivel de fluido es demasiado bajo, se puede producir una separación del caudal. Además, se pueden formar cámaras de aire en el conjunto hidráulico, las cuales provocan unas condiciones de servicio inadmisibles. El nivel mínimo de agua permitido debe alcanzar el borde superior de la carcasa hidráulica.

En la instalación en seco, el lugar de trabajo está dividido en colector y cuarto de máquinas. El fluido entra en el colector y se acumula allí; en el cuarto de máquinas está montada la tecnología de bombas. La bomba se instala en el cuarto de máquinas y se conecta al sistema de tuberías en los lados de aspiración y de impulsión. Observar los siguientes puntos para la instalación:

- El sistema de tuberías de los lados de aspiración y de impulsión debe ser autoportante. La bomba no debe sostener el sistema de tuberías.
- Conectar la bomba sin tensión ni vibraciones al sistema de tuberías. Se recomienda utilizar piezas de conexión elásticas (compensadores).
- La bomba no es autoaspirante, es decir, el fluido fluye de manera autónoma o con presión previa. El nivel mínimo en el colector debe estar a la misma altura que el borde superior de la carcasa hidráulica.
- Temperatura ambiente máx.: 40 °C (104 °F)

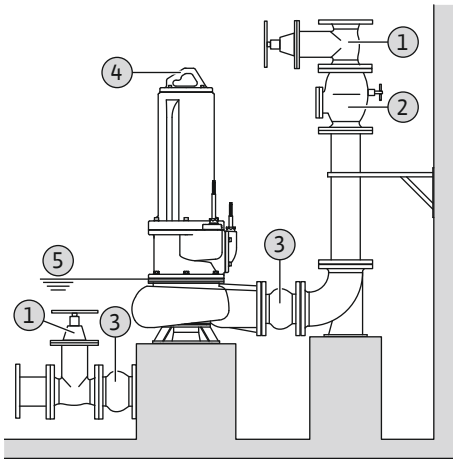


Fig. 8: Instalación en seco

### Pasos de trabajo

1	Llave de corte
2	Válvula antirretorno
3	Compensador
4	Punto de anclaje para el equipo de elevación
5	Nivel de agua mínimo en el colector

- ✓ El cuarto de máquinas/lugar de instalación está preparado para la instalación.
- ✓ El sistema de tuberías se instaló correctamente y es autoportante.
  1. Fijar el equipo de elevación con un grillete en el punto de anclaje de la bomba.
  2. Elevar la bomba y posicionarla en el cuarto de máquinas. **¡ATENCIÓN! Al posicionar la bomba se deben mantener ligeramente tensados los cables de entrada de corriente.**
  3. Fijar la bomba correctamente a los cimientos.
  4. Conectar la bomba al sistema de tuberías. **¡AVISO! Prestar atención a que la conexión no presente tensión ni vibraciones. En caso necesario, utilizar piezas de conexión elásticas (compensadores).**
  5. Aflojar los medios de fijación de la bomba.
  6. Los cables de entrada de corriente deben ser tendidos por un electricista especializado en el cuarto de máquinas.
- La bomba está instalada, el electricista especializado puede efectuar la conexión eléctrica.

#### 6.4.6 Control de nivel

### PELIGRO



#### Peligro de explosión por instalación incorrecta.

Si el control de nivel se instala dentro de un área con riesgo de explosión, se debe conectar la sonda mediante un relé de desconexión antideflagrante o una barrera Zener. Existe peligro de explosión en caso de una conexión incorrecta. Debe realizar la conexión un electricista especializado.

El control de nivel permite determinar los niveles de llenado actuales y conectar o desconectar automáticamente la bomba. El registro de los niveles de llenado se realiza mediante distintos tipos de sensores (interruptores de flotador, mediciones de presión y ultrasonidos, electrodos). Al usar un control de nivel se debe tener en cuenta lo siguiente:

- Los interruptores de flotador se pueden mover libremente.
- El nivel de agua **no** debe ser inferior al mínimo indicado.
- **No** se debe sobrepasar la frecuencia de arranque máxima.
- Si los niveles de llenado son muy variables, se recomienda un control de nivel mediante dos puntos de medición. Así pueden obtenerse diferencias de conmutación superiores.

#### 6.4.7 Protección contra marcha en seco

La protección contra marcha en seco debe evitar que la bomba funcione sin fluido y que penetre aire en el sistema hidráulico. Para ello se debe calcular el nivel de llenado mínimo permitido con ayuda de una sonda. En cuanto se alcance el valor límite especificado, se debe producir una desconexión de la bomba con el correspondiente mensaje. Una protección contra marcha en seco puede ampliar los controles de nivel disponibles en un punto de medición adicional o funcionar como dispositivo de desconexión único. En función de la seguridad de la instalación, se puede volver a conectar la bomba de forma automática o manual. Para una fiabilidad óptima, se recomienda la instalación de una protección contra marcha en seco.

## 6.5 Conexión eléctrica

### PELIGRO



#### Riesgo de lesiones mortales por corriente eléctrica.

Un comportamiento indebido durante los trabajos eléctricos puede provocar la muerte por electrocución. Un electricista especializado debe realizar los trabajos eléctricos según las normativas locales.

### PELIGRO



#### Peligro de explosión por conexión incorrecta.

- Efectuar la conexión eléctrica de la bomba siempre fuera del área explosiva. Si la conexión debe tener lugar dentro del área explosiva, la conexión debe realizarse en una carcasa homologada para áreas con riesgo de explosión (tipo de protección contra encendido según DIN EN 60079-0). En caso de no respetar lo anterior, existe riesgo de lesiones mortales debido a explosiones.
- Conectar el cable de compensación de potencial al borne de puesta a tierra. El borne de puesta a tierra está instalado en el área de los cables de entrada de corriente. Para el cable de compensación de potencial se utiliza una sección de cable conforme a las normativas locales.
- La conexión debe ser realizada siempre por un electricista especializado.
- Para la conexión eléctrica también se debe observar la información del capítulo de protección contra explosiones incluido en el anexo de las presentes instrucciones de instalación y funcionamiento.

- La alimentación eléctrica se debe corresponder con los datos de la placa de características.
- Alimentación de motores de corriente trifásica en lado de la red con campo giratorio hacia la derecha.
- Tienda el cable de conexión correctamente según las normativas locales y conéctelo conforme a la asignación de hilos.
- Conecte los dispositivos de vigilancia y haga una prueba de funcionamiento.
- Lleve a cabo la puesta a tierra según las normativas locales.

### 6.5.1 Fusible en el lado de la red

#### *Interruptor automático*

El tamaño y la característica de conmutación del interruptor automático dependen de la intensidad nominal del producto conectado. Tenga en cuenta los reglamentos locales.

#### *Guardamotor*

En productos que no vengan con enchufe, instalar un guardamotor a cargo del propietario. El requisito mínimo es contar con un relé térmico/guardamotor con compensación de temperatura, desconexión diferencial y bloqueo de reconexión de conformidad con las normativas locales. Para la conexión a redes eléctricas sensibles, se recomienda la instalación de dispositivos de protección (por ejemplo, relés de sobretensión, de baja tensión, de interrupción de fase, etc.) a cargo del propietario.

#### *Interruptor diferencial (RCD)*

Se deben cumplir las normativas de la compañía eléctrica local. Se recomienda utilizar un interruptor diferencial.

Si las personas pueden entrar en contacto con el producto y con líquidos conductivos, se debe asegurar la conexión **con** un interruptor diferencial (RFD).

### 6.5.2 Trabajos de mantenimiento

Antes de la instalación, efectúe los siguientes trabajos de mantenimiento.

- Compruebe la resistencia de aislamiento de la bobina del motor.
- compruebe la resistencia del sensor de temperatura.
- Compruebe la resistencia del electrodo de varilla (disponible opcionalmente).

Si los valores medidos divergen de las especificaciones:

- Ha penetrado humedad en el motor o el cable de conexión.
- El dispositivo de vigilancia está defectuoso.

En caso de fallo, póngase en contacto con el servicio técnico.

#### 6.5.2.1 Comprobación de la resistencia de aislamiento del bobinado del motor

Mida la resistencia de aislamiento con un comprobador de aislamiento (tensión continua de medición = 1000 V). Se deben respetar los siguientes valores:

- Para la puesta en marcha inicial: la resistencia de aislamiento no debe ser inferior a 20 MΩ.
- Para otras mediciones: el valor debe ser superior a 2 MΩ.

#### 6.5.2.2 Comprobación de la resistencia del sensor de temperatura

La resistencia del sensor de temperatura se debe medir con un ohmímetro. Se deben respetar los siguientes valores de medición:

- **Sensor PTC** (posistor): Valor de medición en función del número de sensores montados. El sensor PTC dispone de una resistencia al frío de entre 20 y 100 ohmios.
  - Con **tres** sensores en serie, el valor de medición se encuentra entre 60 y 300 ohmios.
  - Con **cuatro** sensores en serie, el valor de medición se encuentra entre 80 y 400 ohmios.
- **Sensor Pt100**: Los sensores Pt100 cuentan con un valor de resistencia de 100 ohmios a 0 °C (32 °F). Entre 0 °C (32 °F) y 100 °C (212 °F) aumenta la resistencia 0,385 ohmios cada 1 °C (1,8 °F).

Con una temperatura ambiente de 20 °C (68 °F), la resistencia es de 107,7 ohmios.

#### 6.5.2.3 Comprobación de la resistencia del electrodo externo para el control de la sección impermeable

La resistencia del electrodo se debe medir con un ohmímetro. El valor medido debe tender a «infinito». Con los valores  $\leq 30$  kiloohmios hay agua en el aceite, realizar un cambio de aceite.

#### 6.5.3 Conexión del motor de corriente trifásica

La ejecución de corriente trifásica se suministra con extremos de cable libres. La conexión a la red eléctrica se realiza conectando los cables de entrada de corriente en el cuadro de control. La información exacta de la conexión se puede consultar en el esquema de conexión suministrado. **Confíe siempre la conexión eléctrica a un electricista especializado.**

**¡AVISO! Cada hilo está denominado conforme al esquema de conexión. No corte los hilos. No existe otra asignación entre la denominación de los hilos y el esquema de conexión.**

##### Denominación de los hilos de las conexiones de cables en el arranque directo

U, V, W	Alimentación eléctrica
PE (gn-ye)	Tierra

##### Denominación de los hilos de las conexiones de cables en el arranque estrella-triángulo

U1, V1, W2	Alimentación eléctrica (comienzo de bobinado)
U2, V2, W2	Alimentación eléctrica (final de bobinado)
PE (gn-ye)	Tierra

#### 6.5.4 Conexión de los dispositivos de vigilancia

La información exacta de la conexión y la ejecución de los dispositivos de vigilancia se puede consultar en el esquema de conexión suministrado. **Confiar siempre la conexión a un electricista especializado.**

**¡AVISO! Cada hilo está denominado conforme al esquema de conexión. No cortar los hilos. No existe otra asignación entre la denominación de los hilos y el esquema de conexión.**

**PELIGRO**



**Peligro de explosión por conexión incorrecta.**

Si los dispositivos de vigilancia no están conectados correctamente, existe un riesgo de lesiones mortales por explosión en las áreas con riesgo de explosión. La conexión debe ser realizada siempre por un electricista especializado. En la aplicación dentro de áreas con riesgo de explosión rige:

- Conectar el control térmico del motor mediante el relé de evaluación.
- La desconexión con el delimitador de la temperatura debe realizarse utilizando un bloqueo de reconexión manual. Una vez se acciona manualmente la tecla de desbloqueo, es posible volver a conectar.
- Conectar el electrodo externo (por ejemplo: control de la sección impermeable) mediante un relé de evaluación con un circuito eléctrico intrínsecamente seguro.
- Para más información, consultar el capítulo de protección contra explosiones incluido en el anexo de las presentes instrucciones de instalación y funcionamiento.

Vista general de los dispositivos de vigilancia posibles:

	HC 20.1	HC 20.1 ...-E3
<b>Dispositivos de vigilancia internos</b>		
Compartimento de los abrazaderos/del motor	•	•
Bobina del motor	•	•
Rodamiento	o	o
Cámara de separación	–	–
Cámara de fugas	•	•
Sensor de vibración	–	–

**Dispositivos de vigilancia externos**

Cámara de separación	o	o
----------------------	---	---

Legenda: – = no disponible/no es posible, o = opcional, • = de serie

**Todos los dispositivos de vigilancia deben estar siempre conectados.**

**6.5.4.1 Vigilancia del compartimento del motor/de los abrazaderos**

Conectar los electrodos mediante un relé de evaluación. Para ello se recomienda el relé «NIV 101/A». El valor umbral es de 30 kilohmios.

**Denominación de los hilos**

DK	Conexión de electrodo
----	-----------------------

**Al alcanzar el valor umbral lleve a cabo una desconexión.**

**6.5.4.2 Vigilancia de bobina del motor**

Conecte el sensor PTC mediante un relé de evaluación. Para ello, se recomienda el relé "CM-MSS". El valor umbral está preajustado.

**Denominación de los hilos del sensor PTC**

10, 11	Conexión del sensor PTC
--------	-------------------------

**Estado de accionamiento del delimitador de temperatura**

Al alcanzar el valor umbral se debe llevar a cabo una desconexión. **Para obtener más información, consulte el capítulo de protección contra explosiones incluido en el anexo.**

**6.5.4.3 Vigilancia de la cámara de fugas**

El interruptor de flotador está equipado con un contacto normalmente cerrado libre de tensión. Extraer la potencia de conmutación del esquema de conexión adjunto.

**Denominación de los hilos**

K20, K21	Conexión para interruptor de flotador
-------------	---------------------------------------

**En caso de activación del interruptor de flotador, debe aparecer una advertencia de desconexión.**

**6.5.4.4 Vigilancia del rodamiento**

Conecte el sensor Pt100 mediante el relé de evaluación. Para ello, se recomienda el relé "DGW 2.01G". El valor umbral es de 100 °C (212 °F).

**Denominación de los hilos**

T1, T2	Conexión del sensor Pt100
--------	---------------------------

**Al alcanzar el valor umbral se debe llevar a cabo una desconexión.**

**6.5.4.5 Vigilancia de la cámara de obturación (electrodo externo)**

Conectar el electrodo externo mediante un relé de evaluación. Para ello se recomienda el relé «NIV 101/A». El valor umbral es de 30 kilohmios.

**Al alcanzar el valor umbral tendrá lugar una advertencia o la desconexión.**

**ATENCIÓN****Conexión del control de la sección impermeable**

Si tan solo se genera una advertencia al alcanzar el valor umbral, la entrada de agua puede provocar el siniestro total de la bomba. Siempre se recomienda una desconexión de la bomba.

**Para obtener más información, consultar el capítulo de protección contra explosiones incluido en el anexo.**

**6.5.5 Ajuste de la protección de motor**

La protección de motor se debe ajustar en función del tipo de arranque seleccionado.

**6.5.5.1 Conexión directa**

Con plena carga, el guardamotor se ajusta a la corriente asignada (véase placa de características). Para el funcionamiento con carga parcial, se recomienda ajustar el guardamotor a un 5 % por encima de la corriente medida en el punto de funcionamiento.

**6.5.5.2 Arranque estrella-triángulo**

El ajuste de la protección de motor depende de la instalación:

- Protección de motor instalada en el hilo del motor: Ajustar la protección de motor a 0,58 veces la corriente asignada.
- Protección de motor instalada en el cable de alimentación de red: Ajustar la protección de motor a la corriente asignada.

El tiempo de arranque en la conexión en estrella no debe superar los 3 segundos.

**6.5.5.3 Arranque progresivo**

Con plena carga, el guardamotor se ajusta a la corriente asignada (véase placa de características). Para el funcionamiento con carga parcial, se recomienda ajustar el guardamotor a un 5 % por encima de la corriente medida en el punto de funcionamiento. Además, se deben tener en cuenta los siguientes puntos:

- La intensidad absorbida siempre debe estar por debajo de la corriente asignada.
- El arranque y la salida siempre deben finalizar en un plazo de 30 s.
- Para prevenir la potencia disipada, el sistema electrónico de arranque (arranque progresivo) debe puentearse en cuanto se alcance el funcionamiento normal.

**6.5.6 Funcionamiento con convertidor de frecuencia**

El funcionamiento está permitido en el convertidor de frecuencia. Consultar y observar los requisitos correspondientes del anexo.



## 7 Puesta en marcha

### ADVERTENCIA



#### Lesiones en los pies por ausencia de equipo de protección.

Existe peligro de lesiones (graves) durante el trabajo. Llevar calzado de seguridad.

#### 7.1 Cualificación del personal

- Trabajos eléctricos: un electricista especializado debe realizar los trabajos eléctricos.
- Manejo/mando: el personal de manejo debe estar instruido en el funcionamiento de la instalación completa.

#### 7.2 Obligaciones del operador

- Dejar las instrucciones de instalación y funcionamiento junto a la bomba o en un lugar previsto para ello.
- Facilitar al personal las instrucciones de instalación y funcionamiento en su idioma.
- Asegurar que todo el personal ha leído y comprendido las instrucciones de instalación y funcionamiento.
- Todos los dispositivos de seguridad y de parada de emergencia de la instalación están activos y se ha comprobado que funcionan perfectamente.
- La bomba es adecuada para su uso en las condiciones de funcionamiento especificadas.

#### 7.3 Control del sentido de giro (solo en motores de corriente trifásica)

La bomba está comprobada y ajustada de fábrica para el sentido de giro correcto con un campo giratorio hacia la derecha. Se debe realizar la conexión según los datos del capítulo «Conexión eléctrica».

##### Comprobación del sentido de giro

Un electricista especializado debe comprobar el campo giratorio en la alimentación eléctrica con un comprobador del campo giratorio. Para que el sentido de giro sea correcto, debe estar disponible un campo giratorio hacia la derecha en la alimentación eléctrica. **No** está permitido utilizar la bomba con un campo giratorio hacia la izquierda. **¡ATENCIÓN! Si se comprueba el sentido de giro con una marcha de prueba, se deben respetar las condiciones ambientales y de funcionamiento.**

##### Sentido de giro incorrecto

En caso de que el sentido de giro sea incorrecto, se debe modificar la conexión de la siguiente manera:

- En el caso de motores en arranque directo, deben intercambiarse las dos fases.
- En el caso de motores en arranque estrella-triángulo, deben cambiarse las conexiones de los dos bobinados (por ejemplo, U1/V1 y U2/V2).

#### 7.4 Funcionamiento en atmósferas explosivas

### PELIGRO



#### Peligro de explosión por chispas en el sistema hidráulico.

Durante el funcionamiento, el sistema hidráulico debe estar inundado (lleno totalmente con fluido). Cuando parte el caudal o se sustituye el sistema hidráulico, se pueden formar cámaras de aire en el sistema hidráulico. De este modo existe peligro de explosión, por ejemplo, chispas por carga estática. La protección contra marcha en seco debe asegurar la desconexión de la bomba al nivel correspondiente.

	HC 20.1	HC 20.1 ...-E3
Homologación según ATEX	o	o
Homologación según FM	o	–
Homologación según CSA-Ex	–	–

Leyenda: – = no disponible/no es posible, o = opcional, • = de serie

Para el uso en atmósferas explosivas, la bomba se debe identificar en la placa de características como sigue:

- Símbolo «Ex» de la correspondiente homologación
- Clasificación antideflagrante

**Consultar y observar los requisitos correspondientes del capítulo de protección antideflagrante en el anexo de las presentes instrucciones de instalación y funcionamiento.**

#### **Homologación ATEX**

Las bombas son aptas para el funcionamiento en áreas con riesgo de explosión:

- Grupo de aparatos: II
- Categoría: 2, zona 1 y zona 2

**Las bombas no deben utilizarse en la zona 0.**

#### **Homologación FM**

Las bombas son aptas para el funcionamiento en áreas con riesgo de explosión:

- Tipo de protección: Explosionproof
- Categoría: Class I, Division 1

Aviso: Si el cableado se realiza según Division 1, la instalación también está homologada para Class I, Division 2.

## **7.5 Antes de la conexión**

Antes de la conexión se deben comprobar los siguientes puntos.

- Comprobar si la ejecución de la instalación es correcta y sigue las normativas locales vigentes:
  - ¿Bomba conectada a tierra?
  - ¿Tendido del cable de entrada de corriente comprobado?
  - ¿Conexión eléctrica realizada según las normativas?
  - ¿Componentes mecánicos fijados correctamente?
- Comprobar el control de nivel:
  - ¿Los interruptores de flotador se pueden mover libremente?
  - ¿Niveles de conmutación (bomba conectada, bomba desconectada, nivel de agua mínimo) comprobados?
  - ¿Protección contra marcha en seco adicional instalada?
- Comprobar las condiciones de funcionamiento:
  - ¿Temperatura mínima/máxima del fluido comprobada?
  - ¿Profundidad de inmersión máxima comprobada?
  - ¿Modo de funcionamiento definido en función del nivel de agua mínimo?
  - ¿Se respeta la frecuencia de arranque máxima?
- Comprobar el lugar de instalación/lugar de trabajo:
  - ¿Sistema de tuberías del lado de impulsión libre de depósitos?
  - ¿Entrada o foso de bomba limpios y libres de depósitos?
  - ¿Todas las llaves de corte abiertas?
  - ¿Nivel de agua mínimo definido y vigilado?

La carcasa del sistema hidráulico debe llenarse completamente con fluido y no puede haber cámaras de aire en el sistema hidráulico. **¡AVISO! Si existe peligro de cámaras de aire en la instalación, se deben proveer los dispositivos de purga apropiados.**

## **7.6 Conexión y desconexión**

La intensidad nominal se supera por poco tiempo durante el proceso de arranque. Durante el funcionamiento, la intensidad nominal ya no se puede superar. **¡ATENCIÓN! Si la bomba no arranca, desconectarla de inmediato. Antes de conectar de nuevo, resolver la avería de la bomba.**

Las bombas en instalaciones portátiles deben instalarse rectas en una base sólida. Las bombas que se hayan volcado deben volver a ponerse de pie antes de la conexión. Si la base es pesada, apretar los tornillos de la bomba.

#### **Bombas con extremo de cable libre**

La bomba debe conectarse y desconectarse mediante un elemento de mando (ON/OFF, cuadro de control) independiente a cargo del propietario.

#### **Bomba con enchufe instalado**

- Ejecución de corriente trifásica: tras insertar el enchufe en la caja de enchufe, la bomba queda lista para su uso. La bomba se conecta y desconecta mediante interruptor ON/OFF.

**Bomba con interruptor de flotador montado y enchufe**

- Ejecución de corriente trifásica: tras insertar el enchufe en la caja de enchufe, la bomba queda lista para su uso. La bomba se controla con dos interruptores en el enchufe:
  - HAND/AUTO: determinar si la bomba se conecta o desconecta directamente (HAND) o en función del nivel de llenado (AUTO).
  - ON/OFF: conexión y desconexión de la bomba.

**7.7 Durante el funcionamiento****PELIGRO****Peligro de explosión por sobrepresión en el sistema hidráulico.**

Si, durante el funcionamiento, se cierra la llave de corte en el lado de aspiración y el lado de impulsión, el fluido se calienta en el sistema hidráulico debido al movimiento de impulsión. Debido al calentamiento se genera presión de varios bares en el sistema hidráulico. Esta presión puede provocar la explosión de la bomba. Asegurarse de que todas las llaves de corte estén abiertas durante el funcionamiento. Abrir inmediatamente las llaves de corte cerradas.

**ADVERTENCIA****Corte de extremidades por componentes giratorios.**

No debe haber personas en la zona de trabajo de la bomba. Existe peligro de lesiones (graves) por componentes giratorios. No puede haber personas en la zona de trabajo de la bomba al conectarla y durante el funcionamiento.

**ADVERTENCIA****Peligro de quemaduras por superficies calientes.**

La carcasa del motor se puede calentar durante el funcionamiento. Se pueden producir quemaduras. Dejar enfriar la bomba a temperatura ambiente tras desconectar.

**AVISO****Problemas de impulsión por un nivel de agua demasiado bajo**

Si el nivel de fluido es demasiado bajo, se puede producir una separación del caudal. Además, se pueden formar cámaras de aire en el conjunto hidráulico, las cuales provocan unas condiciones de servicio inadmisibles. El nivel mínimo de agua permitido debe alcanzar el borde superior de la carcasa hidráulica.

Durante el funcionamiento de la bomba se deben tener en cuenta las siguientes normativas locales:

- Seguridad en el lugar de trabajo
- Prevención de accidentes
- Manejo de máquinas eléctricas

Se debe respetar estrictamente la distribución del trabajo del personal fijada por el operador. Todo el personal es responsable de la distribución del trabajo y de que se cumplan los reglamentos.

Debido a su construcción, las bombas centrífugas tienen piezas giratorias de libre acceso. Dependiendo del tipo de funcionamiento, estas piezas pueden formar bordes afilados. **¡ADVERTENCIA! Pueden provocarse lesiones de corte y desmembramiento de las extremidades.** Se deben controlar los siguientes puntos en intervalos periódicos:

- Tensión de funcionamiento (+/-10 % de la tensión asignada)
- Frecuencia (+/-2 % de la frecuencia asignada)
- Intensidad absorbida entre las fases (máximo 5 %)

- Diferencia de potencial entre las fases (máximo 1 %)
- Frecuencia máx. de arranque
- Recubrimiento mínimo del agua en función del modo de funcionamiento
- Entrada: no hay alimentación de aire.
- Control de nivel/protección contra marcha en seco: puntos de conmutación
- Marcha silenciosa/con poca vibración
- Todas las llaves de corte abiertas

#### **Funcionamiento en la zona límite**

La bomba puede funcionar brevemente (máx. 15 min/día) en el rango límite. Durante el funcionamiento en el rango límite deben esperarse mayores divergencias de los datos de funcionamiento. **¡AVISO! Queda prohibido un funcionamiento continuo en el rango límite. La bomba se somete de este modo a un mayor desgaste y existe un mayor peligro de avería.**

Durante el funcionamiento en el rango límite se aplican los siguientes parámetros:

- Tensión de funcionamiento (+/-10 % de la tensión asignada)
- Frecuencia (+3/-5 % de la frecuencia asignada)
- Intensidad absorbida entre las fases (máximo 6 %)
- Diferencia de potencial entre las fases (máximo 2 %)

## **8 Puesta fuera de servicio/desmontaje**

### **8.1 Cualificación del personal**

- Manejo/mando: el personal de manejo debe estar instruido en el funcionamiento de la instalación completa.
- Trabajos eléctricos: un electricista especializado debe realizar los trabajos eléctricos.
- Trabajos de montaje/desmontaje: el personal especializado debe tener formación sobre el manejo de las herramientas necesarias y los materiales de fijación requeridos para el terreno existente.

### **8.2 Obligaciones del operador**

- Normativas de prevención de accidentes y las normativas de seguridad locales vigentes de las asociaciones profesionales.
- Se deben respetar las normativas para el trabajo con cargas pesadas y debajo de cargas suspendidas.
- Facilitar el equipo de protección necesario y asegurarse de que el personal lo utiliza.
- Los espacios cerrados se deben airear suficientemente.
- Si se acumulan gases tóxicos o asfixiantes, se deberán tomar medidas para evitarlo.

### **8.3 Puesta fuera de servicio**

Para la puesta fuera de servicio se desconecta la bomba, pero se deja instalada. De este modo, la bomba está lista para funcionar en cualquier momento.

✓ Para proteger la bomba contra la escarcha y el hielo, esta se debe mantener completamente sumergida en el fluido.

✓ La temperatura del fluido siempre debe estar por encima de +3 °C (+37 °F).

1. Desconectar bomba en elemento de mando.

2. Asegurar el elemento de mando contra reconexiones no autorizadas (por ejemplo, mediante bloqueo del interruptor principal).

► La bomba está fuera de servicio y ahora se puede desmontar.

Si se deja la bomba instalada después de la puesta fuera de servicio, se deben tener en cuenta los siguientes puntos:

- Se deben garantizar los requisitos para la puesta fuera de servicio durante el periodo completo de puesta fuera de servicio. Si no se garantizan los requisitos, se debe desmontar la bomba tras la puesta fuera de servicio.
- En caso de un periodo prolongado de puesta fuera de servicio, se debe poner en funcionamiento durante 5 minutos a intervalos periódicos (de mensual a trimestral). **¡ATENCIÓN! Solo se puede realizar una puesta en funcionamiento en condiciones de funcionamiento válidas. No está permitida la marcha en seco. El incumplimiento de estas indicaciones puede provocar un siniestro total.**

## 8.4 Desmontaje

**PELIGRO****Peligro por fluidos perjudiciales para la salud.**

Si se usa la bomba con fluidos perjudiciales para la salud, esta se debe descontaminar tras el desmontaje y antes de cualquier trabajo. Riesgo de lesiones mortales. Seguir las indicaciones del reglamento interno. El operador debe asegurarse de que el personal ha recibido y leído el reglamento interno.

**PELIGRO****Riesgo de lesiones mortales por corriente eléctrica.**

Un comportamiento indebido durante los trabajos eléctricos puede provocar la muerte por electrocución. Un electricista especializado debe realizar los trabajos eléctricos según las normativas locales.

**PELIGRO****Peligro de muerte por realizar trabajos peligrosos solo.**

Los trabajos en pozos o espacios reducidos, así como los trabajos con peligro de caída son trabajos peligrosos. Estos trabajos no se pueden realizar estando solo. Como medida preventiva, debe estar presente una segunda persona.

**ADVERTENCIA****Peligro de quemaduras por superficies calientes.**

La carcasa del motor se puede calentar durante el funcionamiento. Se pueden producir quemaduras. Dejar enfriar la bomba a temperatura ambiente tras desconectar.

**AVISO****Utilice solamente un equipo de elevación en perfecto estado técnico.**

Utilice solamente un equipo de elevación en perfecto estado técnico para elevar y descender la bomba. Se debe garantizar que la bomba no se queda enganchada durante los procesos de elevación y bajada. **No** se debe sobrepasar la capacidad de carga máxima permitida del equipo de elevación. Compruebe el equipo de elevación funcione correctamente antes de su utilización.

## 8.4.1 Instalación sumergida fija

- ✓ Bomba puesta fuera de servicio.
- ✓ Las llaves de corte están cerradas en el lado de entrada y en el lado de impulsión.
  1. Desconectar la bomba de la red eléctrica.
  2. Fijar el equipo de elevación en el punto de anclaje. **¡ATENCIÓN! No tirar nunca del cable de entrada de corriente. Esto puede dañar el cable de entrada de corriente.**
  3. Elevar la bomba lentamente y extraerla del lugar de trabajo mediante los tubos guía. **¡ATENCIÓN! El cable de entrada de corriente puede dañarse durante la elevación. Durante el proceso de elevación, el cable de entrada de corriente se debe mantener ligeramente tensado.**
  4. Limpiar a fondo la bomba (véase el punto «Limpieza y desinfección»). **¡PELIGRO! Si se usa la bomba con fluidos perjudiciales para la salud, se debe desinfectar.**

#### 8.4.2 Instalación sumergida portátil

- ✓ Bomba puesta fuera de servicio.
- 1. Desconectar la bomba de la red eléctrica.
- 2. Enrollar el cable de entrada de corriente y colocarlo sobre la carcasa del motor. **¡ATENCIÓN! Nunca tire del cable de entrada de corriente. Esto puede dañar el cable de entrada de corriente.**
- 3. Aflojar la tubería de impulsión de la boca de impulsión.
- 4. Fijar el equipo de elevación en el punto de anclaje.
- 5. Elevar la bomba y extraerla del lugar de trabajo. **¡ATENCIÓN! El cable de entrada de corriente puede aplastarse y dañarse al depositarlo. Prestar atención a los cables de entrada de corriente al depositarlos.**
- 6. Limpiar a fondo la bomba (véase el punto «Limpieza y desinfección»). **¡PELIGRO! Si se usa la bomba con fluidos perjudiciales para la salud, se debe desinfectar.**

#### 8.4.3 Instalación en seco fija

- ✓ Bomba puesta fuera de servicio.
- ✓ Las llaves de corte están cerradas en el lado de entrada y en el lado de impulsión.
- 1. Desconectar la bomba de la red eléctrica.
- 2. Enrollar el cable de entrada de corriente y fijarlo al motor. **¡ATENCIÓN! Durante la fijación, no dañar el cable de entrada de corriente. Procurar que no se produzcan aplastamientos ni rotura una rotura del cable.**
- 3. Aflojar el sistema de tuberías en las bocas de impulsión y de aspiración. **¡PELIGRO! Fluidos perjudiciales para la salud. En la tubería y en el sistema hidráulico pueden encontrarse aún residuos de fluido. Colocar el colector, recoger inmediatamente el líquido que gotee y desechar correctamente el fluido.**
- 4. Fijar el equipo de elevación en el punto de anclaje.
- 5. Aflojar la bomba de los cimientos.
- 6. Elevar lentamente la bomba de las tuberías y depositarla sobre un lugar de depósito adecuado. **¡ATENCIÓN! El cable de entrada de corriente puede aplastarse y dañarse al depositarlo. Prestar atención a los cables de entrada de corriente al depositarlos.**
- 7. Limpiar a fondo la bomba (véase el punto «Limpieza y desinfección»). **¡PELIGRO! Si se usa la bomba con fluidos perjudiciales para la salud, se debe desinfectar.**

#### 8.4.4 Limpieza y desinfección

### PELIGRO



#### Peligro por fluidos perjudiciales para la salud.

Si la bomba usa fluidos perjudiciales para la salud, existe peligro de muerte. Se debe descontaminar la bomba antes de todos los trabajos. Durante los trabajos de limpieza se debe llevar el siguiente equipo de protección:

- Gafas de protección cerradas
- Máscara respiratoria
- Guantes de protección

⇒ El equipo indicado es el requisito mínimo, seguir las indicaciones del reglamento interno. El operador debe asegurarse de que el personal ha recibido y leído el reglamento interno.

- ✓ Bomba desmontada.
- ✓ El agua de limpieza sucia se debe guiar al canal de aguas residuales según las normativas locales.
- ✓ Para las bombas contaminadas, hay disponible un desinfectante.
- 1. Fije el equipo de elevación en el punto de anclaje de la bomba.

2. Eleve la bomba a aprox. 30 cm (10 in) sobre el suelo.
3. Riegue la bomba con agua limpia de arriba hacia abajo. **¡AVISO! En caso de bombas contaminadas, se debe usar el desinfectante correspondiente. Se deben seguir estrictamente las indicaciones del fabricante para el uso.**
4. Para limpiar el rodete y el interior de la bomba, guíe el chorro de agua por la boca de impulsión hacia el interior.
5. Limpie todos los restos de suciedad del suelo dirigiéndolos al alcantarillado.
6. Deje secar la bomba.

## 9 Mantenimiento

### PELIGRO



#### **Peligro por fluidos perjudiciales para la salud.**

Si se usa la bomba con fluidos perjudiciales para la salud, esta se debe descontaminar tras el desmontaje y antes de cualquier trabajo. Riesgo de lesiones mortales. Seguir las indicaciones del reglamento interno. El operador debe asegurarse de que el personal ha recibido y leído el reglamento interno.

### AVISO



#### **Utilice solamente un equipo de elevación en perfecto estado técnico.**

Utilice solamente un equipo de elevación en perfecto estado técnico para elevar y descender la bomba. Se debe garantizar que la bomba no se queda enganchada durante los procesos de elevación y bajada. **No** se debe sobrepasar la capacidad de carga máxima permitida del equipo de elevación. Compruebe el equipo de elevación funcione correctamente antes de su utilización.

- Los trabajos de mantenimiento deben realizarse siempre en un lugar limpio y bien iluminado. La bomba debe poder tumbarse y fijarse de forma segura.
- Solo se pueden llevar a cabo los trabajos de mantenimiento descritos en estas instrucciones de instalación y funcionamiento.
- Durante los trabajos de mantenimiento se debe llevar el siguiente equipo de protección:
  - Gafas protectoras
  - Calzado de seguridad
  - Guantes de seguridad

### 9.1 Cualificación del personal

- Trabajos eléctricos: un electricista especializado debe realizar los trabajos eléctricos.
- Trabajos de mantenimiento: el personal especializado debe estar familiarizado con el manejo de los materiales de servicio usados y su eliminación. Además, el personal especializado debe tener conocimientos básicos sobre la construcción de máquinas.

### 9.2 Obligaciones del operador

- Facilitar el equipo de protección necesario y asegurarse de que el personal lo utiliza.
- El material de servicio se debe recoger en depósitos apropiados y desecharse según la normativa.
- Desechar el equipo de protección utilizado según la normativa.
- Usar solo piezas originales del fabricante. El uso de piezas no originales exime al fabricante de toda responsabilidad.
- Los escapes de fluidos y de material de servicio se deben registrar de inmediato y eliminar según las directivas locales vigentes.
- Disponer las herramientas necesarias a su disposición.
- Están prohibidos los fuegos o llamas abiertas, o incluso fumar, si se están utilizando disolventes y detergentes muy inflamables.

### 9.3 Material de servicio

### 9.3.1 Refrigerante P35

El refrigerante P35 es una mezcla agua-glicol compuesta por un 35 % de concentrado Fragol Zitrec FC y un 65 % de agua desmineralizada o destilada. Para rellenar o llenar el sistema de refrigeración se pueden usar solo los concentrados mencionados en los porcentajes indicados.

#### ATENCIÓN

#### El motor se ha dañado a causa de un concentrado inadecuado o una proporción errónea de la mezcla.

El uso de otros concentrados puede dañar el motor. En caso de que la proporción de la mezcla no sea la misma debe garantizarse la protección contra la corrosión y heladas. Solo pueden usarse los concentrados indicados en una proporción de 35:65.

Concentrado	Fragol Zitrec FC	Pekasol L	Propilencicol <sup>2)</sup>
Estado	Usado actualmente	Alternativa	Alternativa

#### Datos técnicos

Base	Propanodiol 1,2		
Color	Incoloro	Amarillo	Incoloro
Grado de pureza	96 %	-	98 %
Densidad	1,051 g/ml (8,771 lb/US.liq.gal.)	1,050 g/cm <sup>3</sup> (8,762 lb/US.liq.gal.)	1,051 g/ml (8,771 lb/US.liq.gal.)
Punto de ebullición	164 °C (327 °F)	185 °C (365 °F)	188 °C (370 °F)
Valor de pH	9,9	7,5-9,5	-
Agua	5 % máx.	-	0,20 %
Sin nitritos	•	•	•
Sin aminas	•	•	•
Sin fosfatos	•	•	•
Sin silicatos	•	•	•

#### Homologaciones

Nivel de riesgo para el agua <sup>1)</sup>	1	1	1
FDA	•	-	-
HT1	•	-	-
Afssa	•	-	-

<sup>1)</sup> Según VwVwS 1999 (normativa administrativa alemana sobre sustancias peligrosas para el agua). Para la eliminación de estas sustancias se deben tener en cuenta las directivas locales sobre propanodiol y propilencicol correspondientes.

<sup>2)</sup> Adecuado para uso médico

### 9.3.2 Tipos de aceite

La cámara de separación está llena, de fábrica, de un aceite blanco médico. Para un cambio de aceite, se recomiendan los siguientes tipos de aceite:

- Aral Autin PL\*
- Shell ONDINA 919
- Esso MARCOL 52\* u 82\*
- BP WHITEMORE WOM 14\*
- Texaco Pharmaceutical 30\* o 40\*

Todos los tipos de aceite marcados con un «\*» están autorizados para alimentos de conformidad con «USDA-H1».

### 9.3.3 Grasa lubricante

Deben utilizarse las siguientes grasas lubricantes:

- Esso Unirex N3



- Tripol Molub-Alloy-Food Proof 823 FM (con **homologación «USDA-H1»**)

**9.3.4 Cantidades de llenado**

Consultar las cantidades de llenado de la configuración suministrada.

**9.4 Intervalos de mantenimiento**

Para garantizar un funcionamiento fiable, se deben realizar los trabajos de mantenimiento con regularidad. En función de las condiciones ambiente reales, se pueden fijar intervalos de mantenimiento que difieran de lo estipulado contractualmente. Si durante el funcionamiento se dan vibraciones fuertes, se debe llevar a cabo un control de la bomba y de la instalación independientemente de los intervalos de mantenimiento fijados.

**9.4.1 Intervalos de mantenimiento para condiciones normales**

**8000 horas de servicio o a más tardar transcurridos 2 años**

- Control visual del cable de conexión
- Control visual de los accesorios
- Control visual del recubrimiento y la carcasa para ver si hay desgaste
- Comprobación de funcionamiento de los dispositivos de vigilancia
- Vaciar la cámara de fugas
- Cambio de refrigerante
- Cambio de aceite de la cámara de separación

**¡AVISO! Si se ha montado un control de la sección impermeable, el cambio de aceite se realiza conforme a la indicación.**

**15000 horas de servicio o a más tardar transcurridos 10 años**

- Reparación general

**9.4.2 Intervalos de mantenimiento en condiciones difíciles**

En condiciones de funcionamiento difíciles, los intervalos de mantenimiento especificados deberán acortarse si es preciso. Las condiciones de funcionamiento difíciles se producen por:

- Fluidos con componentes de fibras largas
- Entrada con turbulencias (debido, por ejemplo, a la entrada de aire, cavitación)
- Fluidos muy corrosivos o abrasivos
- Fluidos muy gasificantes
- Funcionamiento en un punto de funcionamiento no óptimo
- Golpes de presión

En caso de utilizar la bomba en condiciones de funcionamiento difíciles, se recomienda celebrar un contrato de mantenimiento. Ponerse en contacto con el servicio técnico.

**9.5 Medidas de mantenimiento**

**ADVERTENCIA**



**Bordes afilados en el rodete y la boca de aspiración.**

En el rodete y la boca de aspiración se pueden formar bordes afilados. Existe peligro de cortes en las extremidades. Se deben utilizar guantes de protección contra cortes.

**ADVERTENCIA**



**Lesiones en manos, pies u ojos por ausencia de equipo de protección.**

Existe peligro de lesiones (graves) durante el trabajo. Llevar el siguiente equipo de protección:

- Guantes de protección contra cortes
- Calzado de seguridad
- Gafas de protección cerradas

Antes de comenzar con las medidas de mantenimiento, se deben cumplir los siguientes requisitos:

- La bomba se ha enfriado a temperatura ambiente.
- Bomba limpia a fondo y (en caso necesario) desinfectada.

- 9.5.1 Control visual del cable de conexión**
- Compruebe el cable de conexión en busca de:
- Burbujas
  - Fisuras
  - Arañazos
  - Puntos de desgaste
  - Partes aplastadas
- Si se han detectado daños en el cable de conexión, ponga fuera de servicio inmediatamente la bomba. Encargue al servicio técnico la sustitución del cable de conexión. Ponga la bomba de nuevo en funcionamiento tras subsanar correctamente los daños.
- ¡ATENCIÓN! El agua puede penetrar en la bomba debido a daños en los cables de conexión. La entrada de agua provoca el siniestro total de la bomba.**
- 9.5.2 Control visual de los accesorios**
- Se deben comprobar los accesorios en cuanto a:
- Una correcta fijación
  - Un función perfecta
  - Signos de desgaste, p. ej. fisuras por vibraciones
- Los defectos detectados se deben reparar de inmediato o se debe sustituir el accesorio.
- 9.5.3 Control visual de los recubrimientos y la carcasa para ver si presentan desgaste**
- Los recubrimientos y las partes de la carcasa no deben presentar daños. Si se detectan defectos, se deben tener en cuenta los siguientes puntos:
- Si el recubrimiento está dañado, se debe reparar el recubrimiento.
  - Si las piezas de la carcasa están desgastadas, ¡ponerse en contacto con el servicio técnico!
- 9.5.4 Comprobación de funcionamiento de los dispositivos de vigilancia**
- Para comprobar las resistencias, el agitador se debe enfriar a temperatura ambiente.
- 9.5.4.1 Comprobación de la resistencia de los electrodos internos para la vigilancia del compartimento del motor/de los abrazaderos**
- Los electrodos internos están conectados en paralelo. De este modo, se miden todos los electrodos juntos durante la comprobación.
- La resistencia de los electrodos se debe medir con un ohmímetro. El valor medido debe tender a "infinito". Con valores  $\leq 30$  kiloohmios hay agua en el compartimento de los abrazaderos o en el del motor. **Póngase en contacto con el servicio técnico.**
- 9.5.4.2 Comprobación de la resistencia del sensor de temperatura**
- La resistencia del sensor de temperatura se debe medir con un ohmímetro. Se deben respetar los siguientes valores de medición:
- **Sensor PTC** (posistor): Valor de medición en función del número de sensores montados. El sensor PTC dispone de una resistencia al frío de entre 20 y 100 ohmios.
    - Con **tres** sensores en serie, el valor de medición se encuentra entre 60 y 300 ohmios.
    - Con **cuatro** sensores en serie, el valor de medición se encuentra entre 80 y 400 ohmios.
  - **Sensor Pt100**: Los sensores Pt100 cuentan con un valor de resistencia de 100 ohmios a 0 °C (32 °F). Entre 0 °C (32 °F) y 100 °C (212 °F) aumenta la resistencia 0,385 ohmios cada 1 °C (1,8 °F).  
Con una temperatura ambiente de 20 °C (68 °F), la resistencia es de 107,7 ohmios.
- 9.5.4.3 Comprobación de la resistencia del electrodo externo para el control de la sección impermeable**
- La resistencia del electrodo se debe medir con un ohmímetro. El valor medido debe tender a «infinito». Con los valores  $\leq 30$  kiloohmios hay agua en el aceite, realizar un cambio de aceite.

### 9.5.5 Vaciado de la cámara de fugas

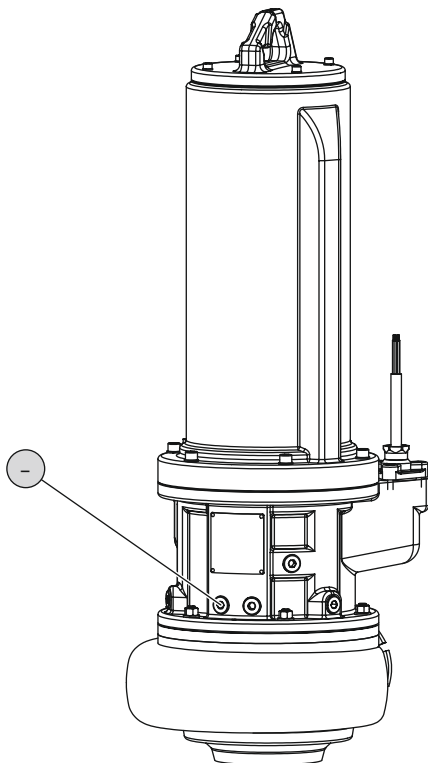


Fig. 9: Vaciado de la cámara de fugas

#### - Descargar el escape

- ✓ Se debe llevar el equipo de protección.
  - ✓ La bomba está desmontada y limpia (si es necesario, descontaminada).
1. Depositar la bomba en vertical sobre una base sólida. **¡ADVERTENCIA! Peligro de aplastamiento de las manos. Asegurar la bomba contra caídas y deslizamientos.**
  2. Se debe colocar un depósito adecuado para recoger el material de servicio.
  3. Retirar el tapón roscado (-) despacio y nunca del todo. **¡ADVERTENCIA! Sobrepresión en el motor. Si suena un pitido o silbido audible, no seguir girando. Esperar hasta que la presión haya escapado completamente.**
  4. Después de que escape la presión, desenroscar el tapón roscado (-) completamente y evacuar el material de servicio.
  5. Limpiar el tapón roscado (-), colocar un anillo de retención nuevo y volver a enroscarlo. **Par de apriete máximo: 8 Nm (5,9 ft·lb).**

### 9.5.6 Cambio de refrigerante

#### ADVERTENCIA



#### Material de servicio bajo alta presión:

En el motor se puede generar **una presión de varios bar**. Esta presión se escapa **al abrir** el tapón roscado. Los tapones roscados que se hayan dejado sueltos por un descuido pueden salir disparados a gran velocidad. Para evitar lesiones, se deben observar las siguientes instrucciones:

- Se debe respetar el orden establecido de los pasos de trabajo.
- Retirar los tapones roscados despacio y nunca del todo. En cuanto se escapa la presión (silbido o pitido audible del aire), no se debe seguir girando.
- Esperar hasta que la presión haya escapado completamente para sacar completamente los tapones roscados.
- Utilizar gafas de protección cerradas.

#### ADVERTENCIA



#### Escaldaduras por material de servicio caliente.

Si se escapa la presión, también se puede salpicar el material de servicio. De esta manera se pueden producir escaldaduras. Para evitar lesiones, tenga en cuenta las siguientes instrucciones:

- Deje enfriar el motor a temperatura ambiente, después abra los tapones roscados.
- Utilice gafas de protección cerradas o una protección facial y guantes.

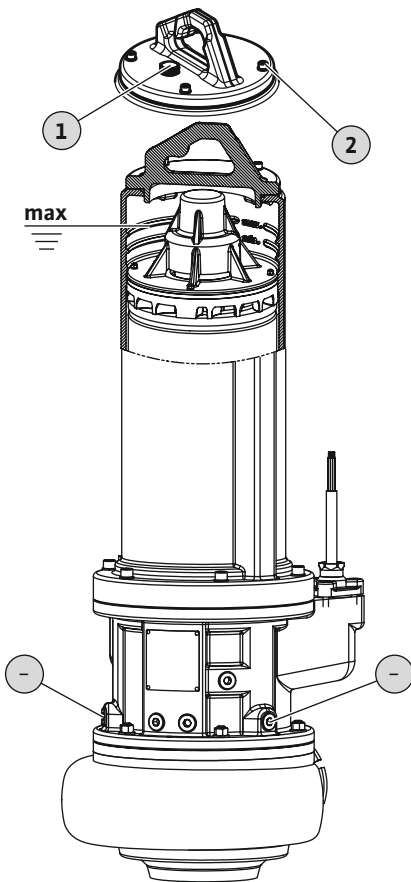


Fig. 10: Comprobar el refrigerante

1	Válvula de sobrepresión
2	Tornillos con hexágono interior para la fijación de la cubierta del motor
-	Descargar el refrigerante

- ✓ La bomba **no** está montada.
  - ✓ La bomba **no** está conectada a la red eléctrica.
  - ✓ Se debe llevar el equipo de protección.
1. Deposite la bomba en vertical sobre una base sólida. **¡ADVERTENCIA! Peligro de aplastamiento de las manos. Asegure la bomba contra caídas y desplazamientos.**
  2. Coloque un depósito adecuado para recoger el material de servicio.
  3. Para purgar una posible sobrepresión, desenrosque la válvula de sobrepresión aprox. 3 – 4 vueltas.  
**¡ADVERTENCIA! Sobrepresión en el motor. Si suena un pitido o silbido audible, no siga girando. Espere hasta que la presión haya escapado completamente.**
  4. Cuando se haya eliminado la sobrepresión, desenrosque **completamente** la válvula de sobrepresión.
  5. Cambie el anillo de retención y la junta tórica de la válvula de sobrepresión.
  6. Enrosque de nuevo la válvula de sobrepresión. **Par de apriete máx.: 55 Nm (40,5 ft·lb).**
  7. Desatornille en cruz los tornillos con hexágono interior de la cubierta del motor.
  8. Retire la cubierta del motor.
  9. Desenrosque el tapón roscado (-) y extraiga el material de servicio. Si hay una válvula de bola montada en el orificio de salida, abra la llave esférica de cierre.
  10. Compruebe el material de servicio: Si hay virutas metálicas en el material de servicio, informe al servicio técnico.
  11. Para vaciar completamente el sistema de refrigeración, enjuáguelo con agua limpia.
  12. Si hay una válvula de bola montada en el orificio de salida, cierre la válvula de bola.
  13. Limpie el tapón roscado (-), coloque un anillo de retención nuevo y vuelva a enroscarlo. **Par de apriete máx.: 8 Nm (5,9 ft·lb).**
  14. Vierta el material de servicio nuevo por el orificio del motor.
  15. En el lado interior de la carcasa hay dos marcas. El material de servicio se debe rellenar hasta la marca superior "máx."  
⇒ Respete los datos respecto al tipo y la cantidad de material de servicio.  
**¡AVISO! Para garantizar constantemente la protección contra la corrosión y he-  
ladas, use el refrigerante P35 indicado para rellenar. Respete las indicaciones  
acerca de los concentrados y las proporciones de mezcla.**
  16. Limpie la cubierta del motor y renueve la junta tórica.
  17. Ponga la cubierta del motor en la carcasa del motor y atornille de nuevo los tornillos con hexágono interior. **Par de apriete máximo: véase anexo.**

9.5.7 Cambio de aceite en la cámara de obturación

**ADVERTENCIA**



**Material de servicio bajo alta presión:**

En el motor se puede generar **una presión de varios bar**. Esta presión se escapa **al abrir** el tapón roscado. Los tapones roscados que se hayan dejado sueltos por un descuido pueden salir disparados a gran velocidad. Para evitar lesiones, se deben observar las siguientes instrucciones:

- Se debe respetar el orden establecido de los pasos de trabajo.
- Retirar los tapones roscados despacio y nunca del todo. En cuanto se escapa la presión (silbido o pitido audible del aire), no se debe seguir girando.
- Esperar hasta que la presión haya escapado completamente para sacar completamente los tapones roscados.
- Utilizar gafas de protección cerradas.

**ADVERTENCIA**



**Escaldaduras por material de servicio caliente.**

Si se escapa la presión, también se puede salpicar el material de servicio. De esta manera se pueden producir escaldaduras. Para evitar lesiones, tenga en cuenta las siguientes instrucciones:

- Deje enfriar el motor a temperatura ambiente, después abra los tapones roscados.
- Utilice gafas de protección cerradas o una protección facial y guantes.

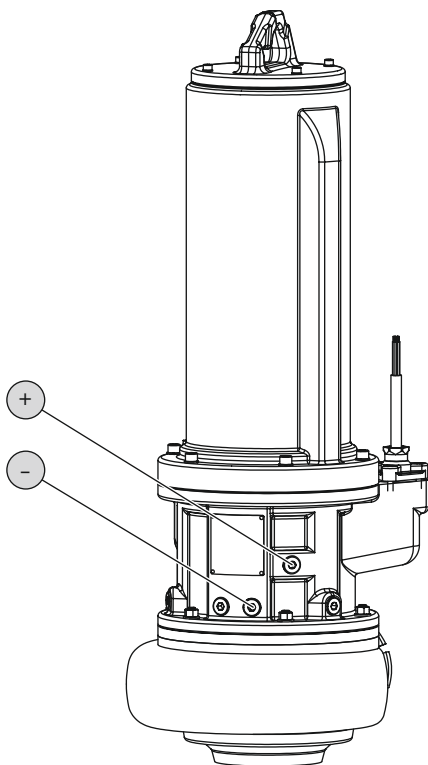


Fig. 11: Cámara de separación: Cambio de aceite

+	Llenar la cámara de separación con aceite
-	Evacuar el aceite de la cámara de separación

- ✓ Se debe llevar el equipo de protección.
  - ✓ La bomba está desmontada y limpia (si es necesario, descontaminada).
1. Depositar la bomba en vertical sobre una base sólida. **¡ADVERTENCIA! Peligro de aplastamiento de las manos. Asegurar la bomba contra caídas y deslizamientos.**
  2. Se debe colocar un depósito adecuado para recoger el material de servicio.
  3. Desenroscar el tapón roscado (+) lentamente, pero no por completo. **¡ADVERTENCIA! Sobrepresión en el motor. Si suena un pitido o silbido audible, no seguir girando. Esperar hasta que la presión haya escapado completamente.**
  4. Después de que escape la presión, desenroscar el tapón roscado (+) completamente.
  5. Desenroscar el tapón roscado (-) y evacuar el material de servicio. Si hay una llave esférica de cierre montada en el orificio de salida, abrir la llave esférica de cierre.
  6. Comprobar el material de servicio: Si hay virutas metálicas en el material de servicio, informar al servicio técnico.
  7. Si hay una llave esférica de cierre montada en el orificio de salida, cerrar la llave esférica de cierre.
  8. Limpiar el tapón roscado (-), colocar un anillo de retención nuevo y volver a enroscarlo. **Par de apriete máximo: 8 Nm (5,9 ft-lb).**
  9. Verter el material de servicio nuevo por el orificio del tapón roscado (+).  
⇒ Se deben respetar los datos respecto al tipo y la cantidad de material de servicio.
  10. Limpiar el tapón roscado (+), colocar un anillo de retención nuevo y volver a enroscarlo. **Par de apriete máximo: 8 Nm (5,9 ft-lb).**

### 9.5.8 Reparación general

En la reparación general se realiza un control de los rodamientos, los sellados de eje, las juntas tóricas y los cables de entrada de corriente en busca de desgaste y daños. Los componentes dañados se sustituyen por piezas originales. De este modo se garantiza un funcionamiento correcto.

El fabricante o un taller de servicio autorizado son los encargados de llevar a cabo la reparación general.

## 9.6 Trabajos de reparación

### ADVERTENCIA



#### Bordes afilados en el rodete y la boca de aspiración.

En el rodete y la boca de aspiración se pueden formar bordes afilados. Existe peligro de cortes en las extremidades. Se deben utilizar guantes de protección contra cortes.

### ADVERTENCIA



#### Lesiones en manos, pies u ojos por ausencia de equipo de protección.

Existe peligro de lesiones (graves) durante el trabajo. Llevar el siguiente equipo de protección:

- Guantes de protección contra cortes
- Calzado de seguridad
- Gafas de protección cerradas

Antes de comenzar los trabajos de reparación, cumpla los siguientes requisitos:

- La bomba se ha enfriado a temperatura ambiente.
- Desconecte la bomba de la tensión y asegúrela para evitar una conexión involuntaria.
- Bomba limpia a fondo y (en caso necesario) desinfectada.

En los trabajos de reparación rige en general:

- Recoja de inmediato los vertidos de fluido y material de servicio.
- Sustituya siempre las juntas tóricas, las juntas y los seguros de tornillos.
- Observe los pares de apriete indicados en el anexo.
- En estos trabajos queda terminantemente prohibido el uso de la fuerza.

### 9.6.1 Indicaciones para el uso de seguros de tornillos

Los tornillos pueden contar con un seguro (líquido) de tornillos. El seguro de tornillo se lleva a cabo de fábrica de dos formas distintas:

- Seguro líquido de tornillos
- Seguro de tornillos mecánico

#### Renueve siempre el seguro de tornillo.

##### *Seguro líquido de tornillos*

Con el seguro líquido de tornillos se utilizan seguros de tornillos semisólidos (por ejemplo: Loctite 243). Estos seguros de tornillos se pueden disolver aplicando una fuerza elevada. Si el seguro de tornillos no se afloja, debe calentar la conexión a aprox. 300 °C (572 °F). Limpiar minuciosamente los componentes tras el desmontaje.

##### *Seguro de tornillos mecánico*

El seguro de tornillos mecánico está compuesto por dos arandelas con bloqueo de cuña Nord-Lock. El seguro de la unión atornillada tiene lugar aquí mediante la fuerza de apriete. El seguro de tornillos Nord-Lock solo se puede utilizar con tornillos revestidos de Geomet de la clase de resistencia 10.9. **Queda prohibido el uso de tornillos inoxidables.**

### 9.6.2 ¿Qué trabajos de reparación se puede llevar a cabo?

- Cambie la carcasa hidráulica.
- Rodete SOLID G y Q: reajuste la boca de aspiración.

9.6.3 Cambio de carcasa hidráulica

**PELIGRO**



**Queda prohibido desmontar el rodete.**

En función del diámetro del rodete, en algunas bombas se debe desmontar el rodete para desmontar la carcasa hidráulica. Antes de realizar cualquier trabajo se debe comprobar si es preciso desmontar el rodete. En caso afirmativo, informar al servicio técnico. El servicio técnico o un taller especializado autorizado son los encargados de desmontar el rodete.

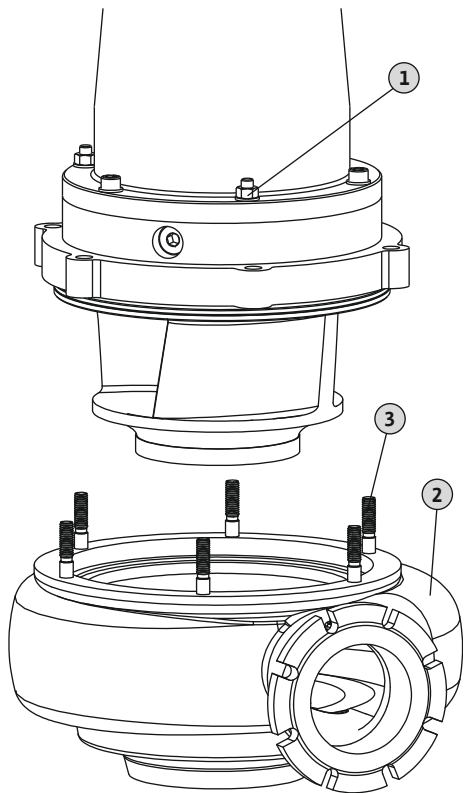


Fig. 12: Cambio de carcasa hidráulica

1	Tuercas hexagonales para la fijación del motor/sistema hidráulico
2	Carcasa hidráulica
3	Pernos roscados

- ✓ Existe un equipo de elevación con suficiente capacidad de carga.
  - ✓ Se debe llevar el equipo de protección.
  - ✓ La nueva carcasa hidráulica está preparada.
  - ✓ No se **debe** desmontar el rodete.
1. Fijar el equipo de elevación con los medios de fijación correspondientes al punto de anclaje de la bomba.
  2. Depositar verticalmente la bomba.  
**¡ATENCIÓN! Si la bomba se depositara demasiado rápido, podría dañarse la boca de aspiración de la carcasa hidráulica. Depositar la bomba lentamente sobre la boca de aspiración.**  
**¡AVISO! Si la bomba no se depositara de manera nivelada sobre la boca de aspiración, colocar las placas de compensación correspondientes. Para elevar correctamente el motor, la bomba debe estar en perpendicular.**
  3. Identificar la posición del motor/sistema hidráulico en la carcasa.
  4. Aflojar y desenroscar las tuercas hexagonales de la carcasa hidráulica.
  5. Elevar el motor lentamente y tirar de los pernos roscados.  
**¡ATENCIÓN! Elevar el motor en perpendicular y no ladearlo. Si se ladea, se dañarán los pernos roscados.**
  6. Mover el motor sobre la carcasa hidráulica nueva.
  7. Bajar el motor lentamente. Prestar atención a que la identificación del motor/sistema hidráulico coincida e introducir los pernos roscados exactamente en los orificios.
  8. Desenroscar las tuercas hexagonales y unir de manera fija el motor al sistema hidráulico.  
**¡AVISO! Observar la información sobre los pares de apriete en el anexo.**
- Carcasa hidráulica cambiada. Se puede volver a montar la bomba.

**¡ADVERTENCIA! Si la bomba se almacena temporalmente y se desmonta el equipo de elevación, asegurar la bomba contra caídas y deslizamientos.**

### 9.6.4 Rodete SOLID G y Q: reajuste de la boca de aspiración

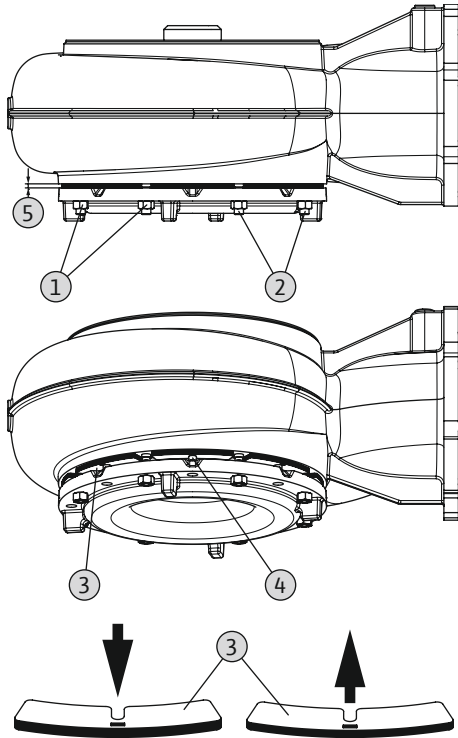


Fig. 13: SOLID G: Reajuste de la medida del espacio de separación

1	Tuercas hexagonales para la fijación de la boca de aspiración
2	Pernos roscados
3	Núcleo laminado
4	Tornillo de fijación de núcleo laminado
5	Medida del espacio de separación entre la boca de aspiración y la carcasa hidráulica

✓ Existe un equipo de elevación con suficiente capacidad de carga.

✓ Se debe llevar el equipo de protección.

1. Fijar el equipo de elevación con los medios de fijación correspondientes al punto de anclaje de la bomba.
  2. Elevar la bomba de manera que la bomba esté suspendida aproximadamente 50 cm (20 in) sobre el suelo.
  3. Aflojar las tuercas hexagonales para la fijación de la boca de aspiración. Desenroscar la tuerca hexagonal hasta que esté a ras con el perno roscado.  
**¡ADVERTENCIA! Peligro de aplastamiento para los dedos. La boca de aspiración puede adherirse a la carcasa hidráulica debido a incrustaciones y deslizarse de pronto hacia abajo. Aflojar siempre las tuercas en cruz y sostenerlas desde abajo. Utilizar guantes de seguridad.**
  4. La boca de aspiración se encuentra sobre las tuercas hexagonales. Si la boca de aspiración está adherida a la carcasa hidráulica, aflojar con cuidado la boca de aspiración con una cuña.
  5. Limpiar la superficie de contacto y los núcleos laminados atornillados y (si es preciso) desinfectarlos.
  6. Aflojar los tornillos de los núcleos laminados y retirar estos últimos uno a uno.
  7. Apretar lentamente las tuercas hexagonales en cruz hasta que la boca de aspiración esté apoyada sobre el rodete. **¡ATENCIÓN! Atornillar las tuercas hexagonales solo a mano. Si se aprietan demasiado las tuercas hexagonales, el rodete y el rodamiento pueden dañarse.**
  8. Medir el espacio entre la boca de aspiración y la carcasa hidráulica.
  9. Adaptar los núcleos laminados conforme a la medida y añadir otra lámina.
  10. Desenroscar otra vez las tres tuercas hexagonales apretadas hasta que estén a ras con los pernos roscados.
  11. Introducir otra vez los núcleos laminados y fijarlos con tornillos.
  12. Apretar las tuercas hexagonales en cruz hasta que la boca de aspiración esté enrasada en los núcleos laminados.
  13. Apretar firmemente en cruz las tuercas hexagonales. **Observar la información sobre los pares de apriete en el anexo.**
  14. Introducir las manos desde abajo por la boca de aspiración y girar el rodete. Si el espacio está ajustado correctamente, el rodete se puede girar. Si el espacio es insuficiente, el rodete girará con dificultad. Repetir el ajuste. **¡ADVERTENCIA! Corte de extremidades. En la boca de aspiración y rodete se pueden formar bordes afilados. Se deben utilizar guantes de seguridad contra cortes.**
- La boca de aspiración está ajustada correctamente. Se puede volver a instalar la bomba.



## 10 Averías, causas y solución

**PELIGRO****Peligro por fluidos perjudiciales para la salud.**

En el caso de bombas en fluidos peligrosos para la salud, existe peligro de muerte. Durante los trabajos se debe utilizar el siguiente equipo de protección:

- Gafas de protección cerradas
  - Máscara respiratoria
  - Guantes de protección
- ⇒ El equipo indicado es el requisito mínimo, seguir las indicaciones del reglamento interno. El operador debe asegurarse de que el personal ha recibido y leído el reglamento interno.

**PELIGRO****Riesgo de lesiones mortales por corriente eléctrica.**

Un comportamiento indebido durante los trabajos eléctricos puede provocar la muerte por electrocución. Un electricista especializado debe realizar los trabajos eléctricos según las normativas locales.

**PELIGRO****Peligro de muerte por realizar trabajos peligrosos solo.**

Los trabajos en pozos o espacios reducidos, así como los trabajos con peligro de caída son trabajos peligrosos. Estos trabajos no se pueden realizar estando solo. Como medida preventiva, debe estar presente una segunda persona.

**ADVERTENCIA****Está prohibido que haya personas en la zona de trabajo de la bomba.**

Durante el funcionamiento de la bomba pueden producirse lesiones personales (graves). Por tanto, no puede haber ninguna persona en la zona de trabajo. Si las personas deben acceder a la zona de trabajo de la bomba, se debe poner la bomba fuera de servicio y asegurarla contra reconexiones no autorizadas.

**ADVERTENCIA****Bordes afilados en el rodete y la boca de aspiración.**

En el rodete y la boca de aspiración se pueden formar bordes afilados. Existe peligro de cortes en las extremidades. Se deben utilizar guantes de protección contra cortes.

**Avería: la bomba no se pone en marcha**

1. Interrupción de la alimentación eléctrica o cortocircuito/puesta a tierra del cableado o el bobinado del motor.
  - ⇒ Un electricista especializado debe comprobar la conexión y el motor, y sustituirlos en caso necesario.
2. Activación de los fusibles, el guardamotor o los dispositivos de vigilancia.
  - ⇒ Un electricista especializado debe comprobar la conexión y los dispositivos de vigilancia, y sustituirlos en caso necesario.

- ⇒ Un electricista especializado debe montar y ajustar el guardamotor y fusibles conforme a las especificaciones técnicas, y restablecer los dispositivos de vigilancia.
  - ⇒ Comprobar que el rodete gira con facilidad, limpiar el sistema hidráulico en caso necesario.
3. El control de la sección impermeable (opcional) ha interrumpido el circuito eléctrico (en función de la conexión)
- ⇒ Véase «Avería: Escapes en el cierre mecánico, el control de la sección impermeable notifica una avería y desconecta la bomba».

***Avería: la bomba arranca, tras un breve tiempo la protección de motor se activa***

1. El guardamotor está ajustado de forma incorrecta.
  - ⇒ Un electricista especializado debe comprobar el ajuste del disparador y corregirlo.
2. Aumento de la intensidad absorbida debido a un gran fallo de tensión.
  - ⇒ Un electricista especializado debe comprobar los valores de tensión de cada una de las fases. Consultar a la compañía eléctrica.
3. Solo hay 2 fases disponibles en la conexión.
  - ⇒ Un electricista especializado debe comprobar la conexión y corregirla.
4. Diferencias de tensión demasiado grandes entre las fases.
  - ⇒ Un electricista especializado debe comprobar los valores de tensión de cada una de las fases. Consultar a la compañía eléctrica.
5. Sentido de giro incorrecto.
  - ⇒ Un electricista especializado debe corregir la conexión.
6. Aumento de la intensidad absorbida debido a obstrucción del sistema hidráulico.
  - ⇒ Limpiar el sistema hidráulico y comprobar la entrada.
7. El fluido es demasiado espeso.
  - ⇒ Consultar al servicio técnico.

***Avería: la bomba funciona, no hay caudal***

1. No hay fluido.
  - ⇒ Comprobar la entrada, abrir todas las llaves de corte.
2. Entrada obstruida.
  - ⇒ Comprobar la entrada y eliminar la obstrucción.
3. Sistema hidráulico obstruido.
  - ⇒ Limpiar el sistema hidráulico.
4. Obstrucción en el sistema de tuberías del lado de impulsión o en la manguera de impulsión.
  - ⇒ Eliminar la obstrucción y sustituir los componentes dañados en caso necesario.
5. Funcionamiento intermitente.
  - ⇒ Comprobar la instalación de distribución.

***Avería: la bomba funciona, no se alcanza el punto de funcionamiento***

1. Entrada obstruida.
  - ⇒ Comprobar la entrada y eliminar la obstrucción.
2. Compuerta del lado de impulsión cerrada.
  - ⇒ Abrir completamente todas las llaves de corte.
3. Sistema hidráulico obstruido.
  - ⇒ Limpiar el sistema hidráulico.
4. Sentido de giro incorrecto.
  - ⇒ Un electricista especializado debe corregir la conexión.
5. Cámara de aire en el sistema de tuberías.

- ⇒ Purgar el sistema de tuberías.
- ⇒ Si aparecen cámaras de aire con frecuencia: localizar y evitar la entrada de aire; en caso necesario, instalar dispositivos de purga en el punto indicado.
- 6. La bomba impulsa contra una presión demasiado elevada.
  - ⇒ Abrir completamente todas las llaves de corte del lado de impulsión.
  - ⇒ Comprobar el tipo de rodete; en caso necesario, usar un rodete de otro tipo. Consultar al servicio técnico.
- 7. Presencia de desgaste en el sistema hidráulico.
  - ⇒ Comprobar los componentes y el servicio técnico debe sustituir los componentes (rodete, boca de aspiración, carcasa de la bomba).
- 8. Obstrucción en el sistema de tuberías del lado de impulsión o en la manguera de impulsión.
  - ⇒ Eliminar la obstrucción y sustituir los componentes dañados en caso necesario.
- 9. Fluido muy gasificante.
  - ⇒ Consultar al servicio técnico.
- 10. Solo hay 2 fases disponibles en la conexión.
  - ⇒ Un electricista especializado debe comprobar la conexión y corregirla.
- 11. Bajada demasiado elevada del nivel de llenado durante el funcionamiento.
  - ⇒ Comprobar el suministro/la capacidad de la instalación.
  - ⇒ Comprobar los puntos de conmutación del control de nivel y, en caso necesario, adaptarlos.

***Avería: la bomba funciona de manera inestable y genera mucho ruido***

1. Punto de funcionamiento no permitido.
  - ⇒ Comprobar el dimensionamiento de la bomba y el punto de funcionamiento, consultar al servicio técnico.
2. Sistema hidráulico obstruido.
  - ⇒ Limpiar el sistema hidráulico.
3. Fluido muy gasificante.
  - ⇒ Consultar al servicio técnico.
4. Solo hay 2 fases disponibles en la conexión.
  - ⇒ Un electricista especializado debe comprobar la conexión y corregirla.
5. Sentido de giro incorrecto.
  - ⇒ Un electricista especializado debe corregir la conexión.
6. Presencia de desgaste en el sistema hidráulico.
  - ⇒ Comprobar los componentes y el servicio técnico debe sustituir los componentes (rodete, boca de aspiración, carcasa de la bomba).
7. Rodamiento de motor desgastado.
  - ⇒ Informar al servicio técnico; devolver la bomba al taller para su reparación.
8. La bomba está montada incorrectamente.
  - ⇒ Comprobar la instalación, en caso necesario instalar compensadores de goma.

***Avería: el control de la sección impermeable informa de una avería o desconecta la bomba***

1. Formación de agua de condensación debido a un almacenamiento prolongado o a grandes cambios de temperatura.
  - ⇒ Dejar que la bomba funcione brevemente (máx. 5 min) sin el electrodo de varilla.
2. Aumento de los escapes en la entrada de los cierres mecánicos nuevos.
  - ⇒ Realizar un cambio de aceite.

3. Cable o electrodo de varilla defectuoso.  
⇒ Sustituir el electrodo de varilla.
4. Cierre mecánico defectuoso.  
⇒ Informar al servicio técnico.

#### **Otros pasos para la solución de averías**

Si las indicaciones mencionadas no le ayudan a solucionar la avería, contacte con el servicio técnico. El servicio técnico puede ayudar de la siguiente manera:

- Ayuda telefónica o por escrito.
- Ayuda in situ.
- Comprobación y reparación en la fábrica.

El uso de los servicios del servicio técnico puede ocasionar costes adicionales. Solicite al servicio técnico información detallada al respecto.

## **11 Repuestos**

El pedido de repuestos se hace al servicio técnico. Para evitar confusiones y errores en los pedidos, se ha de indicar siempre el número de serie o el número de artículo. **Reservado el derecho a realizar modificaciones técnicas.**

## **12 Eliminación**

### **12.1 Aceites y lubricantes**

El material de servicio se debe recoger en depósitos apropiados y desecharse según las directivas locales vigentes. Recoja inmediatamente el líquido que gotee.

### **12.2 Mezcla agua-glicol**

El material de servicio corresponde a la clase de peligro de agua 1 según el reglamento de administración para las sustancias peligrosas para el agua (VwVwS). Para la eliminación de basuras debe tener en cuenta las directivas locales vigentes (p. ej., DIN 52900 sobre propanol y propilenciclo).

### **12.3 Ropa protectora**

La ropa protectora usada se debe desechar según las directivas locales vigentes.

### **12.4 Información sobre la recogida de productos eléctricos y electrónicos usados**

La eliminación de basura y el reciclado correctos de estos productos evitan daños medioambientales y peligros para el estado de salud.

#### **AVISO**



#### **Está prohibido desechar estos productos con la basura doméstica.**

En la Unión Europea, este símbolo se encuentra bien en el producto, el embalaje o en los documentos adjuntos. Significa que los productos eléctricos y electrónicos a los que hace referencia no se deben desechar con la basura doméstica.

Para manipular, reciclar y eliminar correctamente estos productos fuera de uso, tener en cuenta los siguientes puntos:

- Depositar estos productos solo en puntos de recogida certificados e indicados para ello.
- Tener en cuenta los reglamentos vigentes locales.

Para más detalles sobre la correcta eliminación de basuras en su municipio local, preguntar en los puntos de recogida de basura cercanos o al distribuidor al que se ha comprado el producto. Más información sobre reciclaje en [www.wilo-recycling.com](http://www.wilo-recycling.com).

## **13 Anexo**

### 13.1 Pares de apriete

Tornillos inoxidables A2/A4			
Rosca	Par de apriete		
	Nm	kp m	ft-lb
M5	5,5	0,56	4
M6	7,5	0,76	5,5
M8	18,5	1,89	13,5
M10	37	3,77	27,5
M12	57	5,81	42
M16	135	13,77	100
M20	230	23,45	170
M24	285	29,06	210
M27	415	42,31	306
M30	565	57,61	417

Tornillos revestidos de Geomet (resistencia 10.9) con arandela Nord-Lock			
Rosca	Par de apriete		
	Nm	kp m	ft-lb
M5	9,2	0,94	6,8
M6	15	1,53	11
M8	36,8	3,75	27,1
M10	73,6	7,51	54,3
M12	126,5	12,90	93,3
M16	155	15,81	114,3
M20	265	27,02	195,5

### 13.2 Funcionamiento con convertidor de frecuencia

El motor puede operar en ejecución en serie (teniendo en cuenta la IEC 60034-17) en el convertidor de frecuencia. Con una tensión asignada superior a 415 V/50 Hz o 480 V/60 Hz se debe consultar al servicio técnico. Debido al calentamiento provocado por ondas armónicas, la potencia nominal del motor debe superar la demanda de potencia de la bomba en aproximadamente un 10 %. Para los convertidores de frecuencia con salida sin ondas armónicas, la reserva de potencia del 10 % podrá reducirse si es necesario. Se conseguirá una reducción de las ondas armónicas con ayuda de filtros de salida. El convertidor de frecuencia y los filtros deben estar adaptados entre sí.

El dimensionamiento del convertidor de frecuencia se realiza en función de la corriente nominal del motor. Se debe prestar atención a que la bomba funcione sin sacudidas ni vibraciones, particularmente en el rango inferior de velocidad. De lo contrario, los cierres mecánicos pueden presentar fugas y daños. También se debe tener en cuenta la velocidad de flujo disponible en la tubería. Si la velocidad de flujo es demasiado baja, aumentará el peligro de que se formen depósitos de sustancias sólidas en la bomba y en la tubería conectada. Se recomienda una velocidad de flujo mínima de 0,7 m/s (2,3 ft/s) con una presión de impulsión manométrica de 0,4 bar (6 psi).

Es realmente importante que, durante todo el rango de regulación, la bomba funcione sin vibraciones, resonancias, momentos pendulares y ruidos excesivos. Es normal que el motor haga mucho ruido debido a la alimentación de corriente afectada por ondas armónicas.

Durante la parametrización del convertidor de frecuencia, prestar atención al ajuste de la curva característica cuadrada (curva característica U/f) para las bombas y los ventiladores. La curva característica U/F garantiza que, en frecuencias inferiores a la frecuencia nominal (50 Hz o 60 Hz), la tensión de salida se adapte a la demanda de potencia de la bomba. Los convertidores de frecuencia nuevos también permiten una optimización automática de la energía, ya que este sistema automático consigue el mismo efecto. Observar las instruccio-

nes de instalación y funcionamiento del convertidor de frecuencia durante el ajuste del convertidor de frecuencia.

Si se operan los motores con un convertidor de frecuencia, en función del tipo y las condiciones de instalación se pueden producir averías en la vigilancia del motor. Las siguientes medidas pueden contribuir a reducir o prevenir estas averías:

- Respetar los valores límite de sobretensión y velocidad de aumento conforme a IEC 60034-25. Es posible que se deban montar filtros de salida.
- Variar la frecuencia de pulso del convertidor de frecuencia.
- En caso de avería del control interno de la sección impermeable, utilizar el electrodo de varilla doble externo.

Las siguientes medidas constructivas también pueden contribuir a la reducción o la prevención de averías:

- Cable de entrada de corriente independiente para el cable de mando y el cable principal (según el tamaño del motor).
- Durante el tendido, respetar la distancia suficiente entre el cable principal y el cable de control.
- Aplicación de cables de entrada de corriente apantallados.

#### **Resumen**

- Funcionamiento continuo hasta frecuencia nominal (50 Hz o 60 Hz) teniendo en cuenta la velocidad de flujo mínima.
- Observar las medidas adicionales relativas a las normativas de compatibilidad electromagnética (selección de convertidor de frecuencia, uso de filtros, etc.).
- No superar nunca ni la velocidad nominal ni la intensidad nominal del motor.
- Debe existir la posibilidad de conectar el control de temperatura propio del motor (sensor bimetálico o PTC).

### **13.3 Homologación para uso en zonas explosivas**

Este capítulo incluye más información sobre el funcionamiento de la bomba en una atmósfera explosiva. Todo el personal debe leer este capítulo. **Este capítulo es válido únicamente para las bombas con una homologación para uso en zonas explosivas.**

#### **13.3.1 Identificación de bombas homologadas para zonas explosivas**

Para el uso en atmósferas explosivas, la bomba se debe identificar en la placa de características como sigue:

- Símbolo «Ex» de la correspondiente homologación
- Clasificación antideflagrante
- Número de certificación (en función de la homologación)

El número de certificación está impreso, siempre que lo requiera la homologación, en la placa de características.

#### **13.3.2 Tipo de protección**

La ejecución constructiva del motor cumple los siguientes tipos de protección:

- Envoltura resistente a la presión (ATEX)
- Explosionproof (FM)

Para limitar la temperatura de las superficies, el motor debe estar equipado con un delimitador de temperatura (control de temperatura de 1 circuito).

#### **13.3.3 Aplicaciones**

#### **PELIGRO**



#### **Explosión por la impulsión de fluidos explosivos.**

Se prohíbe terminantemente la impulsión de fluidos muy inflamables y explosivos (gasolina, queroseno, etc.) en sus formas puras. Riesgo de lesiones mortales por explosión. Las bombas no se han diseñado para estos fluidos.

#### **Homologación ATEX**

Las bombas son aptas para el funcionamiento en áreas con riesgo de explosión:

- Grupo de aparatos: II

- Categoría: 2, zona 1 y zona 2  
**Las bombas no deben utilizarse en la zona 0.**

#### Homologación FM

Las bombas son aptas para el funcionamiento en áreas con riesgo de explosión:

- Tipo de protección: Explosionproof
- Categoría: Class I, Division 1  
Aviso: Si el cableado se realiza según Division 1, la instalación también está homologada para Class I, Division 2.

### 13.3.4 Conexión eléctrica

#### PELIGRO



#### Riesgo de lesiones mortales por corriente eléctrica.

Un comportamiento indebido durante los trabajos eléctricos puede provocar la muerte por electrocución. Un electricista especializado debe realizar los trabajos eléctricos según las normativas locales.

- Efectuar la conexión eléctrica de la bomba siempre fuera del área explosiva. Si la conexión debe tener lugar dentro del área explosiva, la conexión debe realizarse en una carcasa homologada para áreas con riesgo de explosión (tipo de protección contra encendido según DIN EN 60079-0). En caso de no respetar lo anterior, existe riesgo de lesiones mortales debido a explosiones. La conexión debe ser realizada siempre por un electricista especializado.
- Todos los dispositivos de vigilancia que se encuentren fuera de las «áreas con protección antideflagrante» deben estar conectados mediante un circuito eléctrico intrínsecamente seguro (por ejemplo: Ex-i relé XR-4...).
- La tolerancia de tensión debe ser como máximo del  $\pm 10\%$ .

Vista general de los dispositivos de vigilancia posibles:

	HC 20.1	HC 20.1 ...-E3
Dispositivos de vigilancia internos		
Compartimento de los abrazaderos/del motor	•	•
Bobina del motor	•	•
Rodamiento	o	o
Cámara de separación	–	–
Cámara de fugas	•	•
Sensor de vibración	–	–
Dispositivos de vigilancia externos		
Cámara de separación	o	o

Leyenda: – = no disponible/no es posible, o = opcional, • = de serie

#### Todos los dispositivos de vigilancia deben estar siempre conectados.

#### 13.3.4.1 Vigilancia del compartimento del motor/de los abrazaderos

La conexión debe realizarse según se describe en el capítulo «Conexión eléctrica».

#### 13.3.4.2 Vigilancia de bobina del motor

#### PELIGRO



#### ¡Peligro de explosión por sobrecalentamiento del motor!

Si el delimitador de temperatura se conecta incorrectamente, existe peligro de explosión por sobrecalentamiento del motor. Conectar siempre el delimitador de temperatura con un bloqueo manual de reconexión. Esto significa que una «Tecla de desbloqueo» debe accionarse manualmente.

El motor está equipado con un delimitador de temperatura (control de temperatura de 1 circuito).

En cuanto se alcance el valor umbral, deberá producirse una desconexión **con bloqueo de reconexión**.

#### **Conexión del control térmico del motor**

Conecte el sensor PTC mediante un relé de evaluación. Para ello, se recomienda el relé "CM-MSS". El valor umbral está preajustado.

#### **13.3.4.3 Vigilancia de la cámara de fugas**

Conexión del interruptor de flotador mediante un relé de evaluación. Para ello, se recomienda el relé «CM-MSS». En este caso, el valor umbral se ha ajustado con antelación.

#### **13.3.4.4 Vigilancia del rodamiento**

La conexión debe realizarse según se describe en el capítulo «Conexión eléctrica».

#### **13.3.4.5 Vigilancia de la cámara de obturación (electrodo externo)**

- Conectar el electrodo de varilla externo mediante un relé de evaluación homologado para su uso en zonas explosivas. Para ello se recomienda el relé «XR-4...». El valor umbral es de 30 kiloohmios.

- La conexión debe realizarse a través de un circuito eléctrico intrínsecamente seguro.

#### **13.3.4.6 Funcionamiento en el convertidor de frecuencia**

- Tipo de convertidor: modulación de la duración de impulsos
- Funcionamiento continuo: 30 Hz hasta la frecuencia nominal (50 Hz o 60 Hz). Se debe respetar la velocidad de flujo mínima.
- Frecuencia de conmutación mínima: 4 kHz
- Sobretensiones máximas en el tablero de abrazaderos: 1350 V
- Corriente de salida en el convertidor de frecuencia: máximo 1,5 veces la intensidad nominal
- Tiempo de sobrecarga máx.: 60 s
- Aplicaciones de par de apriete: curva característica cuadrada  
Las curvas características necesarias de velocidad/par de apriete están disponibles bajo consulta.
- Observe las medidas adicionales relativas a las normativas de compatibilidad electromagnética (selección de convertidor de frecuencia, filtros, etc.).
- No supere nunca ni la velocidad nominal ni la intensidad nominal del motor.
- Debe existir la posibilidad de conectar el control de temperatura propio del motor (sensor bimetálico o PTC).
- En caso de que la clase de temperatura esté señalada con T4/T3, tendrá prevalencia la clase de temperatura T3.

#### **13.3.5 Puesta en marcha**

#### **PELIGRO**



#### **Peligro de explosión al utilizar bombas no homologadas para su uso en zonas explosivas.**

Las bombas sin homologación para su uso en zonas explosivas no pueden utilizarse en áreas con riesgo de explosión. Riesgo de lesiones mortales por explosión. Dentro de las áreas con riesgo de explosión solo se pueden utilizar las bombas que cuenten en la placa de características con la identificación para zonas explosivas.

#### **PELIGRO**



#### **Peligro de explosión por chispas en el sistema hidráulico.**

Durante el funcionamiento, el sistema hidráulico debe estar inundado (lleno totalmente con fluido). Cuando parte el caudal o se sustituye el sistema hidráulico, se pueden formar cámaras de aire en el sistema hidráulico. De este modo existe peligro de explosión, por ejemplo, chispas por carga estática. La protección contra marcha en seco debe asegurar la desconexión de la bomba al nivel correspondiente.



**PELIGRO**

**Existe peligro de explosión en caso de una conexión incorrecta de la protección contra marcha en seco.**

Durante el funcionamiento de la bomba en atmosferas explosivas, integrar la protección contra marcha en seco con una sonda separada (fusible redundante del control de nivel). La desconexión de la bomba debe contar con un bloqueo de reconexión manual.

### 13.3.6 Mantenimiento

- El operador es el responsable de delimitar el área con riesgo de explosión.
- Dentro del área con riesgo de explosión solo se pueden utilizar las bombas que posean la homologación para uso en zonas explosivas correspondiente.
- Las bombas que posean una homologación para su uso en zonas explosivas deben estar identificadas de este modo en la placa de características.
- No superar la **temperatura del fluido máxima**.
- Se debe evitar la marcha en seco de la bomba. Para ello, el propietario debe asegurar (protección contra marcha en seco) que se evite sacar a la superficie el sistema hidráulico. Conforme a DIN EN 50495, para la categoría 2 se prevé un dispositivo de seguridad con el SIL–Leve 1 y una tolerancia de errores de hardware 0.

- Realizar los trabajos de mantenimiento según las normativas.
- Solo se pueden llevar a cabo los trabajos de mantenimiento descritos en estas instrucciones de instalación y funcionamiento.
- Realizar una reparación en las columnas con protección antideflagrante **solo** de conformidad con las especificaciones constructivas del fabricante. **No** está permitido realizar una reparación conforme a los valores incluidos en las tablas 1 y 2 de DIN EN 60079–1.
- Solo se deben utilizar los tapones roscados especificados por el fabricante que se correspondan al menos con la clase de resistencia de 600 N/mm<sup>2</sup> (38,85 tonelada larga de fuerza/in<sup>2</sup>).

#### 13.3.6.1 Reparación del recubrimiento de la carcasa

Si las capas son más gruesas, la pintura puede cargarse electrostáticamente. **¡PELIGRO! Peligro de explosión. En atmosferas explosivas puede producirse una explosión en caso de descarga.**

Si se debe mejorar el revestimiento de la carcasa, el grosor máximo de la capa es de 2 mm (0,08 in).

#### 13.3.6.2 Cambio del cierre mecánico

Queda estrictamente prohibido cambiar el sellado de los lados del fluido y del motor.

#### 13.3.6.3 Cambio de cable de conexión

Queda estrictamente prohibido cambiar el cable de conexión.



## Wilo – International (Subsidiaries)

### Argentina

WILO SALMSON  
Argentina S.A.  
C1295ABI Ciudad  
Autónoma de Buenos Aires  
T +54 11 4361 5929  
matias.monea@wilo.com.ar

### Australia

WILO Australia Pty Limited  
Murrarrie, Queensland, 4172  
T +61 7 3907 6900  
chris.dayton@wilo.com.au

### Austria

WILO Pumpen Österreich  
GmbH  
2351 Wiener Neudorf  
T +43 507 507-0  
office@wilo.at

### Azerbaijan

WILO Caspian LLC  
1065 Baku  
T +994 12 5962372  
info@wilo.az

### Belarus

WILO Bel IOOO  
220035 Minsk  
T +375 17 3963446  
wilo@wilo.by

### Belgium

WILO NV/SA  
1083 Ganshoren  
T +32 2 4823333  
info@wilo.be

### Bulgaria

WILO Bulgaria EOOD  
1125 Sofia  
T +359 2 9701970  
info@wilo.bg

### Brazil

WILO Comercio e  
Importacao Ltda  
Jundiaí – São Paulo – Brasil  
13.213-105  
T +55 11 2923 9456  
wilo@wilo-brasil.com.br

### Canada

WILO Canada Inc.  
Calgary, Alberta T2A 5L7  
T +1 403 2769456  
info@wilo-canada.com

### China

WILO China Ltd.  
101300 Beijing  
T +86 10 58041888  
wiloobj@wilo.com.cn

### Croatia

WILO Hrvatska d.o.o.  
10430 Samobor  
T +38 51 3430914  
wilo-hrvatska@wilo.hr

### Cuba

WILO SE  
Oficina Comercial  
Edificio Simona Apto 105  
Siboney. La Habana. Cuba  
T +53 5 2795135  
T +53 7 272 2330  
raul.rodriguez@wilo-cuba.com

### Czech Republic

WILO CS, s.r.o.  
25101 Cestlice  
T +420 234 098711  
info@wilo.cz

### Denmark

WILO Nordic  
Drejergangen 9  
DK-2690 Karlslunde  
T +45 70 253 312  
wilo@wilo.dk

### Estonia

WILO Eesti OÜ  
12618 Tallinn  
T +372 6 509780  
info@wilo.ee

### Finland

WILO Nordic  
Tillinmäentie 1 A  
FIN-02330 Espoo  
T +358 207 401 540  
wilo@wilo.fi

### France

Wilo Salmson France S.A.S.  
53005 Laval Cedex  
T +33 2435 95400  
info@wilo.fr

### United Kingdom

WILO (U.K.) Ltd.  
Burton Upon Trent  
DE14 2WJ  
T +44 1283 523000  
sales@wilo.co.uk

### Greece

WILO Hellas SA  
4569 Anixi (Attika)  
T +302 10 6248300  
wilo.info@wilo.gr

### Hungary

WILO Magyarország Kft  
2045 Törökbálint  
(Budapest)  
T +36 23 889500  
wilo@wilo.hu

### India

Wilo Mather and Platt Pumps  
Private Limited  
Pune 411019  
T +91 20 27442100  
services@matherplatt.com

### Indonesia

PT. WILO Pumps Indonesia  
Jakarta Timur, 13950  
T +62 21 7247676  
citrawilo@cbn.net.id

### Ireland

WILO Ireland  
Limerick  
T +353 61 227566  
sales@wilo.ie

### Italy

WILO Italia s.r.l.  
Via Novegro, 1/A20090  
Segrate MI  
T +39 25538351  
wilo.italia@wilo.it

### Kazakhstan

WILO Central Asia  
050002 Almaty  
T +7 727 312 40 10  
info@wilo.kz

### Korea

WILO Pumps Ltd.  
20 Gangseo, Busan  
T +82 51 950 8000  
wilo@wilo.co.kr

### Latvia

WILO Baltic SIA  
1019 Riga  
T +371 6714-5229  
info@wilo.lv

### Lebanon

WILO LEBANON SARL  
Jdeideh 1202 2030  
Lebanon  
T +961 1 888910  
info@wilo.com.lb

### Lithuania

WILO Lietuva UAB  
03202 Vilnius  
T +370 5 2136495  
mail@wilo.lt

### Morocco

WILO Maroc SARL  
20250 Casablanca  
T +212 (0) 5 22 66 09 24  
contact@wilo.ma

### The Netherlands

WILO Nederland B.V.  
1551 NA Westzaan  
T +31 88 9456 000  
info@wilo.nl

### Norway

WILO Nordic  
Alf Bjerckes vei 20  
NO-0582 Oslo  
T +47 22 80 45 70  
wilo@wilo.no

### Poland

WILO Polska Sp. z o.o.  
5-506 Lesznowola  
T +48 22 7026161  
wilo@wilo.pl

### Portugal

Bombas Wilo-Salmson  
Sistemas Hidraulicos Lda.  
4475-330 Maia  
T +351 22 2080350  
bombas@wilo.pt

### Romania

WILO Romania s.r.l.  
077040 Com. Chiajna  
Jud. Ilfov  
T +40 21 3170164  
wilo@wilo.ro

### Russia

WILO Rus ooo  
123592Moscow  
T +7 496 514 6110  
wilo@wilo.ru

### Saudi Arabia

WILO Middle East KSA  
Riyadh 11465  
T +966 1 4624430  
wshoula@wataniaind.com

### Serbia and Montenegro

WILO Beograd d.o.o.  
11000 Beograd  
T +381 11 2851278  
office@wilo.rs

### Slovakia

WILO CS s.r.o., org. Zložka  
83106 Bratislava  
T +421 2 33014511  
info@wilo.sk

### Slovenia

WILO Adriatic d.o.o.  
1000 Ljubljana  
T +386 1 5838130  
wilo.adriatic@wilo.si

### South Africa

Wilo Pumps SA Pty LTD  
Sandton  
T +27 11 6082780  
gavin.bruggen wilo.co.za

### Spain

WILO Ibérica S.A.  
28806 Alcalá de Henares  
(Madrid)  
T +34 91 8797100  
wilo.iberica@wilo.es

### Sweden

WILO NORDIC  
Isbjörnsvägen 6  
SE-352 45 Växjö  
T +46 470 72 76 00  
wilo@wilo.se

### Switzerland

Wilo Schweiz AG  
4310 Rheinfelden  
T +41 61 836 80 20  
info@wilo.ch

### Taiwan

WILO Taiwan CO., Ltd.  
24159 New Taipei City  
T +886 2 2999 8676  
nelson.wu@wilo.com.tw

### Turkey

WILO Pompa Sistemleri  
San. ve Tic. A.Ş.  
34956 İstanbul  
T +90 216 2509400  
wilo@wilo.com.tr

### Ukraine

WILO Ukraine t.o.w.  
08130 Kiev  
T +38 044 3937384  
wilo@wilo.ua

### United Arab Emirates

WILO Middle East FZE  
Jebel Ali Free zone – South  
PO Box 262720 Dubai  
T +971 4 880 91 77  
info@wilo.ae

### USA

WILO USA LLC  
Rosemont, IL 60018  
T +1 866 945 6872  
info@wilo-usa.com

### Vietnam

WILO Vietnam Co Ltd.  
Ho Chi Minh City, Vietnam  
T +84 8 38109975  
nkminh@wilo.vn



Pioneering for You

WILO USA LLC.  
9550 W. Higgins Rd. #300  
Rosemont, IL 60018  
USA  
Phone (888) 954-6872  
Fax (888) 945-6783

Manufacturing Facility  
86 Genesis Parkway  
Thomasville, Georgia 31792  
USA  
Phone (229) 584-0097  
Fax (229) 584-0234

WILO Canada Inc.  
Bay 7 - 2915  
10th Ave. N.E.  
Calgary, Alberta, T2A 5L4  
Canada  
Phone (403) 276-9456  
Fax (403) 277-9456