

Wilo-Helix V 2-4-6-10-16 Wilo-Helix FIRST V 2-4-6-10-16



de Einbau- und Betriebsanleitung
en Installation and operating instructions
fr Notice de montage et de mise en service
nl Inbouw- en bedieningsvoorschriften
ru Инструкция по монтажу и эксплуатации
es Instrucciones de instalación y funcionamiento
it Istruzioni di montaggio, uso e manutenzione
pt Manual de Instalação e funcionamento
el Οδηγίες εγκατάστασης και λειτουργίας
tr Montaj ve kullanma kılavuzu
sv Monterings- och skötselanvisning
no Monterings- og driftsveiledning
fi Asennus- ja käyttöohje

da Monterings- og driftsvejledning
hu Beépítési és üzemeltetési utasítás
pl Instrukcja montażu i obsługi
cs Návod k montáži a obsluze
et Paigaldus- ja kasutusjuhend
lv Uzstādīšanas un ekspluatācijas instrukcija
lt Montavimo ir naudojimo instrukcija
sk Návod na montáž a obsluhu
sl Navodila za vgradnjo in obratovanje
hr Upute za ugradnju i uporabu
sr Uputstvo za ugradnju i upotrebu
ro Instrucțiuni de montaj și exploatare
bg Инструкция за монтаж и експлоатация

Fig. 1

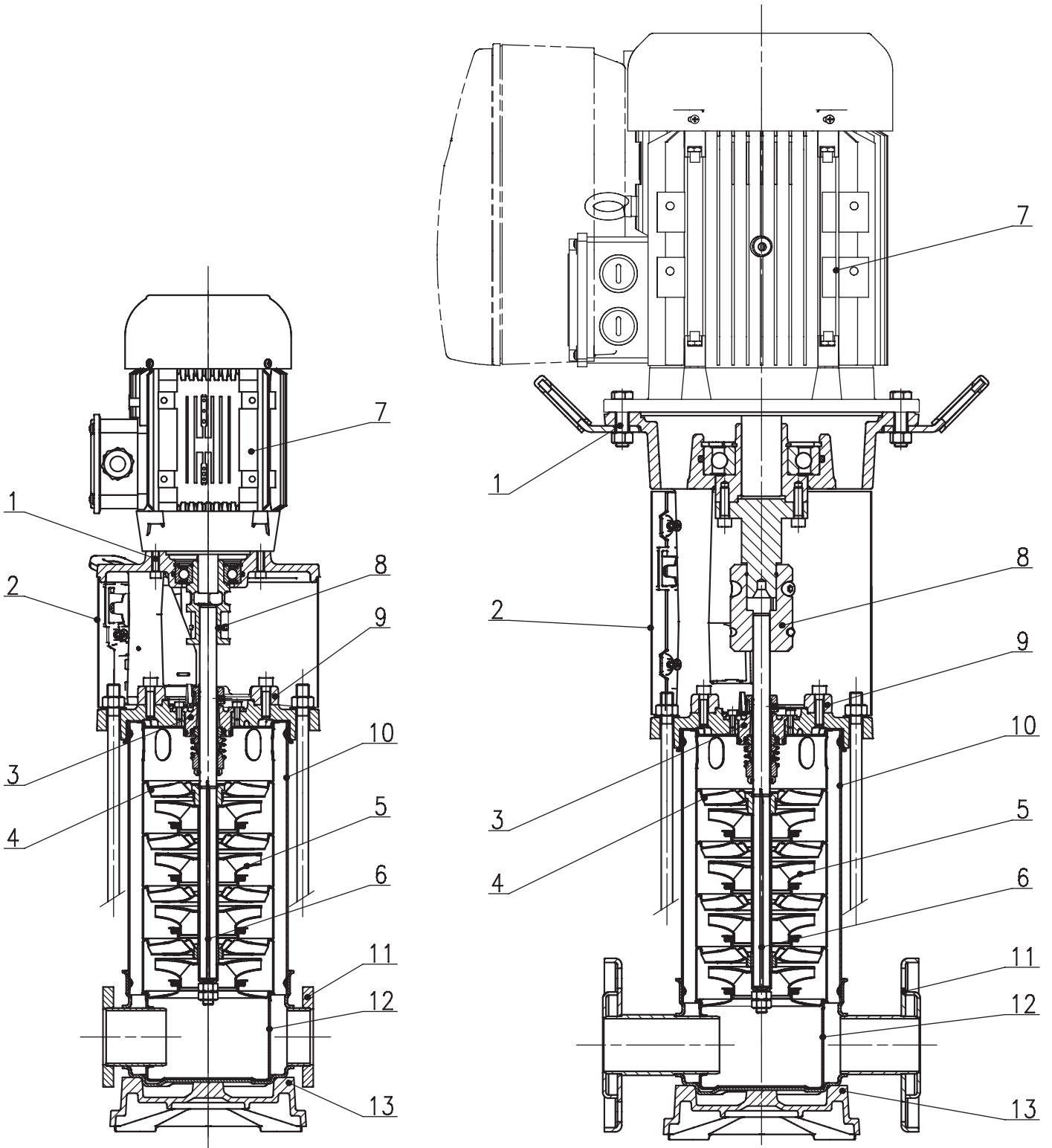


Fig. 2

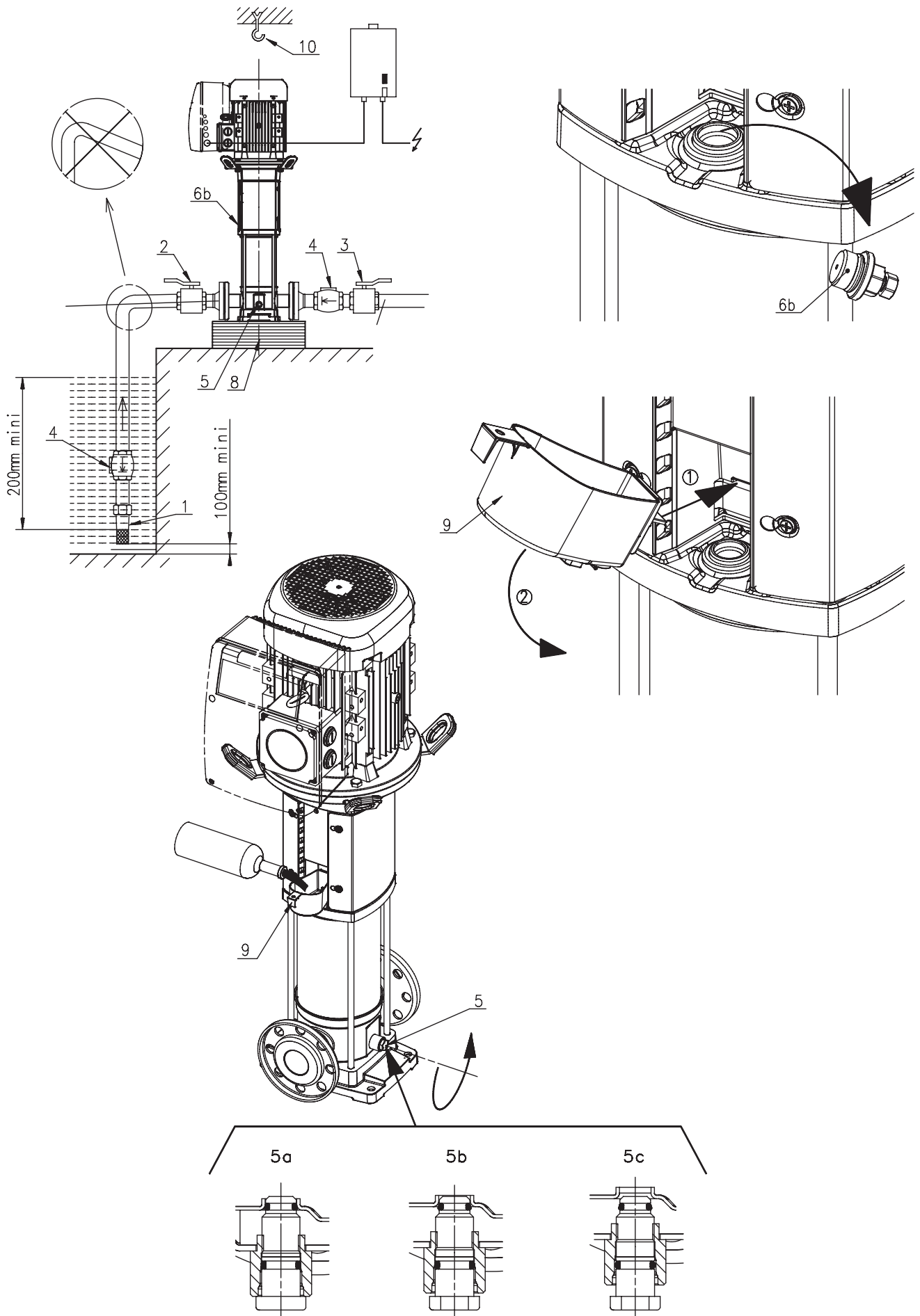


Fig. 3

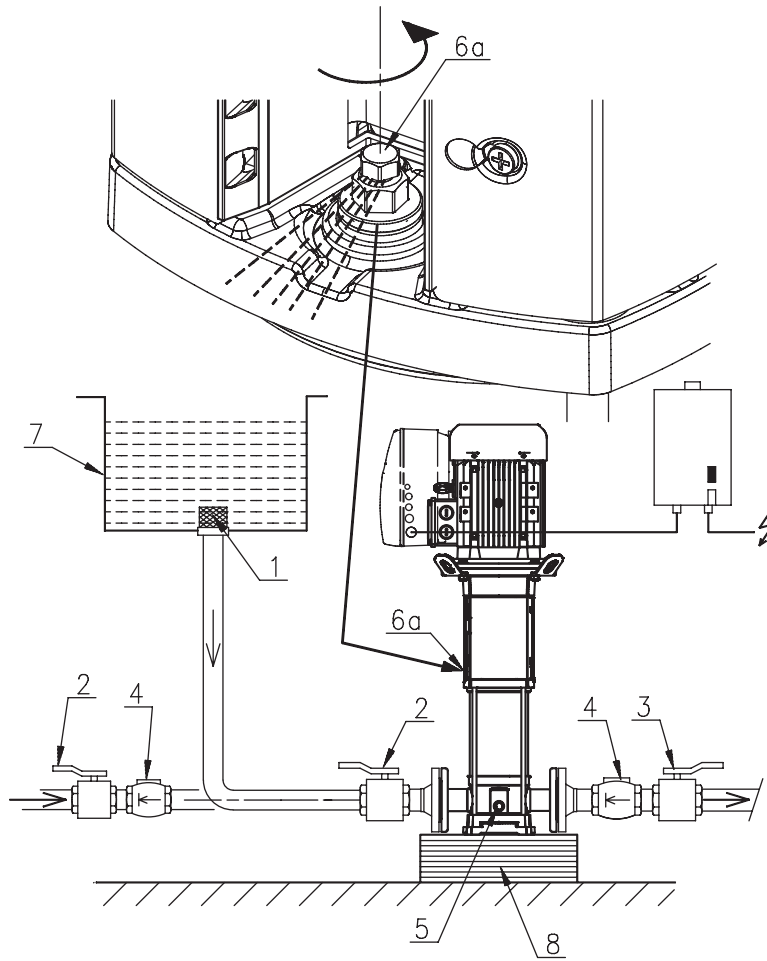
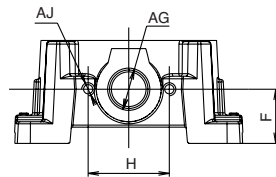
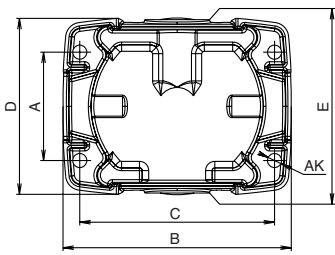
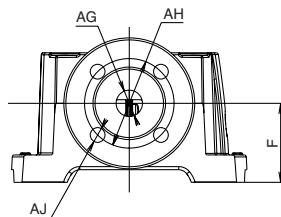
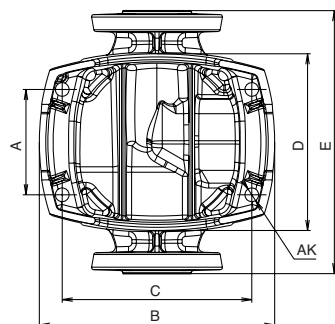


Fig. 4



Type	(mm)										
	A	B	C	D	E	F	G	H	J	K	
HELIX V2...	PN16	100	212	180	162	160	50	D32	75	2xM10	4xØ13
HELIX V4...	PN16	100	212	180	162	160	50	D32	75	2xM10	4xØ13
HELIX V6...	PN16	100	212	180	162	160	50	D32	75	2xM10	4xØ13
HELIX V10...	PN16	130	251	215	181	200	80	D50	100	2xM12	4xØ13
HELIX V16...	PN16	130	251	215	181	200	90	D50	100	2xM12	4xØ13



Type	(mm)										
	A	B	C	D	E	F	G	H	J	K	
HELIX V2...	PN25/PN30	100	212	180	172	250	75	D25	85	4xM12	4xØ13
HELIX V4...	PN25/PN30	100	212	180	172	250	75	D25	85	4xM12	4xØ13
HELIX V6...	PN25/PN30	100	212	180	172	250	75	D32	100	4xM16	4xØ13
HELIX V10...	PN25/PN30	130	252	215	187	280	80	D40	110	4xM16	4xØ13
HELIX V16...	PN25/PN30	130	252	215	187	300	90	D50	125	4xM16	4xØ13

Fig. 5

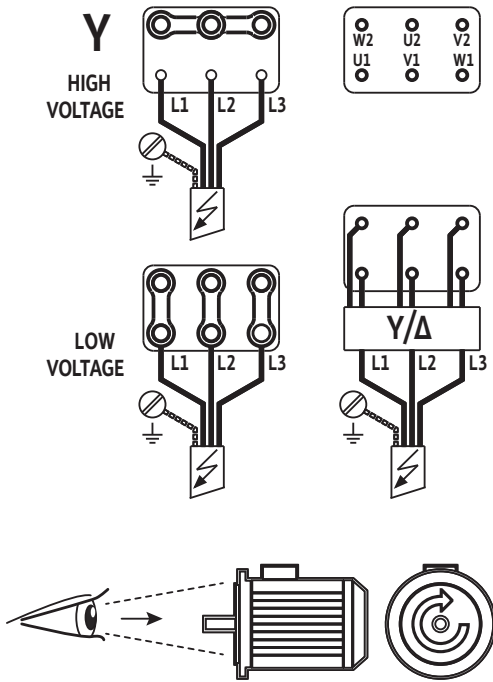


Fig. 6

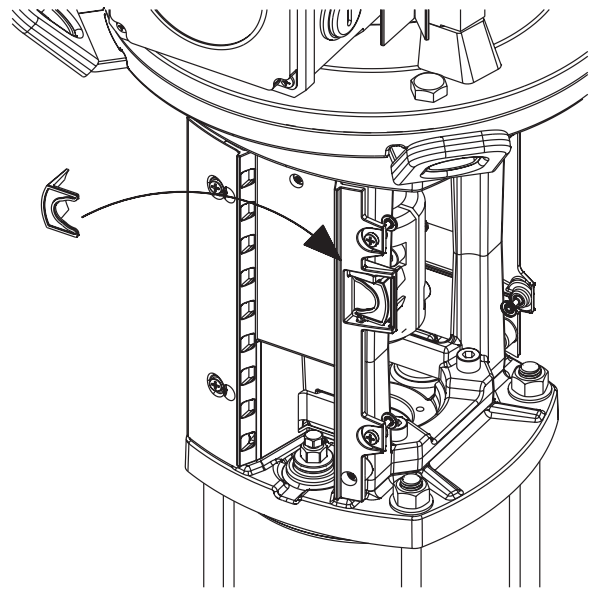
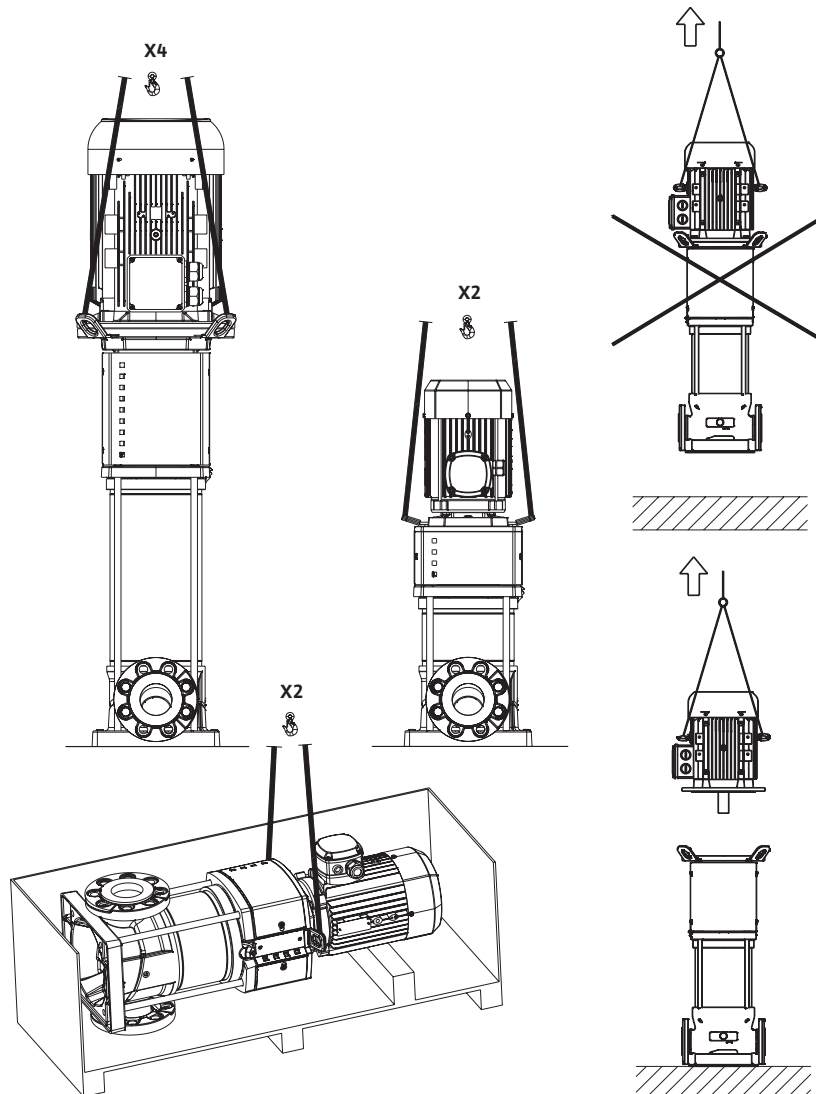


Fig. 7



1. General

1.1 About this document

The language of the original operating instructions is English. All other languages of these instructions are translations of the original operating instructions.

These installation and operating instructions are an integral part of the product. They must be kept readily available at the place where the product is installed. Strict adherence to these instructions is a precondition for the proper use and correct operation of the product.

These installation and operating instructions correspond to the relevant version of the product and the underlying safety standards valid at the time of going to print.

EC declaration of conformity:

A copy of the EC declaration of conformity is a component of these operating instructions.

If a technical modification is made on the designs named there without our agreement, this declaration loses its validity.

2. Safety

These instructions contain important information which must be followed when installing and operating the pump. It is therefore imperative that they be read by both the installer and the operator before the circulator is installed or started up. Both the general safety instructions in the 'Safety precautions' section and those in subsequent sections indicated by danger symbols should be carefully observed.

2.1 Symbols and signal words used in these operating instructions

Symbols



General safety symbol.



Hazards from electrical causes.



NOTE:

Signal words:

DANGER! Imminently hazardous situation. Will result in death or serious injury if not avoided.

WARNING! Risk of (serious) injury. 'Warning' implies that failure to comply with the safety instructions is likely to result in (severe) personal injury.

CAUTION! Risk of damage to the pump/installation. 'Caution' alerts to user to potential product damage due to non-compliance with the safety instructions.

NOTE: Useful information on the handling of the product.

It alerts the user to potential difficulties.

2.2 Personnel qualification

The personnel installing the pump must have the appropriate qualification for this work.

2.3 Risks incurred by failure to comply with the safety instructions

Failure to comply with the safety precautions could result in personal injury or damage to the pump or installation. Failure to comply with the safety precautions could also invalidate any claim for damages.

In particular, failure to comply with these safety instructions could give rise, for example, to the following risks:

- the failure of important parts of the pump or installation,
- personal injury due to electrical and mechanical causes,
- material damage.

2.4 Safety consciousness on the job

Existing regulations for the prevention of accidents must be observed.

National Electrical Codes, local codes and regulations must be followed.

2.5 Safety instructions for the operator

This appliance is not intended for use by persons (including children) with reduced physical, sensory or mental capabilities, or lack of experience and knowledge, unless they have been given supervision or instruction concerning use of the appliance by a person responsible for their safety. Children should be supervised to ensure that they do not play with the appliance.

- If hot or cold components on the product/the unit lead to hazards, local measures must be taken to guard them against touching.
- Guards protecting against touching moving components (such as the coupling) must not be removed whilst the product is in operation.
- Leakages (e.g. from the shaft seals) of hazardous fluids (which are explosive, toxic or hot) must be led away so that no danger to persons or to the environment arises. National statutory provisions are to be complied with.
- Highly flammable materials are always to be kept at a safe distance from the product.
- Danger from electrical current must be eliminated. Local directives or general directives [e.g. IEC, VDE etc.] and local power supply companies must be adhered to.

2.6 Safety instructions for installation and maintenance work

The operator must ensure that all installation and maintenance work is carried out by authorised and qualified personnel, who are sufficiently informed from their own detailed study of the operating instructions.

Work on the product/unit must only be carried out when at a standstill. It is mandatory that the procedure described in the installation and operating instructions for shutting down the product/unit

be complied with.

Immediately on conclusion of the work, all safety and protective devices must be put back in position and/or recommissioned.

2.7 Unauthorised modification and manufacture of spare parts

Unauthorised modification and manufacture of spare parts will impair the safety of the product/personnel and will make void the manufacturer's declarations regarding safety.

Modifications to the product are only permissible after consultation with the manufacturer. Original spare parts and accessories authorised by the manufacturer ensure safety. The use of other parts will absolve us of liability for consequential events.

2.8 Improper use

The operating safety of the supplied product is only guaranteed for conventional use in accordance with Section 4 of the operating instructions. The limit values must on no account fall under or exceed those specified in the catalogue/data.

3. Transport and interim storage

When receiving the material, check that there has been no damage during the transport. If shipping damage has occurred, take all necessary steps with the carrier within the allowed time.



CAUTION! Outside influences may cause damages. If the delivered material is to be installed later on, store it in a dry place and protect it from impacts and any outside influences (humidity, frost etc.).

The product should be cleaned thoroughly before it is put into temporary storage. The product can be stored for at least one year.

Handle the pump carefully so as not to damage the unit prior to installation.

4. Application

This pump's basic function is to pump hot or cold water, water with glycol or other low viscosity fluids that contain no mineral oil, solid or abrasive substances, or materials having long fibres. The manufacturer's approval is required for use to pump corrosive chemicals.



CAUTION! Risk of explosion!

Do not use this pump to handle flammable or explosive liquids.

4.1 Applications areas

- water distribution and pressure boosting,
- industrial circulation systems,
- process fluids,
- cooling-water circuits,
- fire-fighting and washing stations,
- irrigation systems, etc.

5. Technical data

5.1 Pump designation

Example: Helix V1605-1/16/E/KS/400-50xxxx				
Helix V Helix FIRST V	Vertical high-pressure multistage centrifugal pump in in-line design			
16	Nominal flow in m ³ /h			
05	Number of impellers			
1	Pump material code 1 = Pump housing Stainless steel 1.4301 (AISI 304) + Hydraulics 1.4307 (AISI 304) 2 = Pump housing Stainless steel 1.4404 (AISI 316L) + Hydraulics 1.4404 (AISI 316L) 5 = Pump housing Cast Iron EN-GJL-250 (standard coating) + Hydraulics 1.4307 (AISI 304)			
16	Pipe connection 16 = oval flanges PN16 25 = round flanges PN25 30 = round flanges PN40			
E	Seal type code E = EPDM V = FKM			
KS	K = Cartridge seal, versions without "K" are equipped with simple mechanical seal S = Lantern orientation align with suction pipe X = X-Care version			
With motor		OR	Bare-shaft pump (without motor)	
400 - 460	Motor electrical voltage (V)		50 - 60	Motor frequency (Hz)
50 - 60	Motor frequency (Hz)		-38FF265	∅ motor shaft – lantern size
xxxx	Options code (if any)			

5.2 Data table

Maximum operating pressure																			
Pump casing	16, 25 ou 30 bars depend on the model																		
Maximum suction pressure	10 bars Note : real inlet pressure (Pinlet)+ pressure at 0 flow delivered by the pump must be below the maximum operating pressure of the pump. In case of exceeding maximum operating pressure, the ball bearing and the mechanical seal could be damaged or lifetime could decrease. $P_{Inlet} + P_{at\ 0\ flow} \leq P_{max\ pump}$ See pump nameplate to know the maximum operating pressure: Pmax																		
Temperature range																			
Liquid temperatures	-30°C to +120 °C -15°C to +90° C (with FKM seal) -20°C to + 120°C (with cast iron casing)																		
Ambient temperature	-15° to +40 °C Other temperature on request																		
Electrical data																			
Motor efficiency	Motor according to IEC 60034-30																		
Motor Protection index	IP 55																		
Insulation class	155 (F)																		
Frequency	See motor plating																		
Electrical voltage	See motor plating																		
Other data																			
Humidity	< 90% sans condensation																		
Altitude	< 1000 m (> 1000m on request)																		
Maximum suction head	according to NPSH of the pump																		
Sound pressure level dB(A) 0/+3 dB(A)		Power (kW)																	
		0.37	0.55	0.75	1.1	1.5	2.2	3	4	5.5	7.5	11	15	18.5	22	30	37	45	
	50Hz	56	57	58	62	64	68	69	71	74	76								
60Hz	60	61	63	67	71	72	74	78	81	84									

5.3 Scope of supply

- Multistage pump.
- Installation and operating instructions.
- Counterflange + screws and o'rings for PN16 configuration.

5.4 Accessories

Original accessories are available for HELIX range:

Designation	Article n°.
2x oval counterflanges, stainless steel 1.4301 (screwing) (PN16 – 1")	4016168
2x round counterflanges in stainless steel 1.4404 (screwing) (PN40 – DN25)	4016165
2x round counterflanges in steel (welding) (PN40 – DN25)	4016162
2x oval counterflanges in stainless steel 1.4301 (screwing)(PN16 – 1" 1/4)	4016169
2x round counterflanges in stainless steel 1.4404 (screwing) (PN40 – DN32)	4016166
2x round counterflanges in steel (welding) (PN40 – DN32)	4016163
2x oval counterflanges in stainless steel 1.4301 (screwing)(PN16 – 1" 1/2)	4016170
2x round counterflanges in stainless steel 1.4404 (screwing) (PN40 – DN40)	4016167
2x round counterflanges in steel (welding) (PN40 – DN40)	4016164
2x oval counterflanges in stainless steel 1.4301 (screwing)(PN16 – 2")	4055063
2x round counterflanges in stainless steel 1.4404 (screwing) (PN40 – DN50)	4038589
2x round counterflanges in steel (welding) (PN40 – DN50)	4038588
Bypass kit 25 bar	4146786
Bypass kit (with pressure gauge 25 bar)	4146788
Baseplate with dampers for pumps up to 5,5 kW	4157154

The use of new accessories is recommended.

6. Description and function

6.1 Product description

FIG. 1

- 1 – Motor connection bolt
- 2 – Coupling guard
- 3 – Mechanical seal
- 4 – Hydraulic stage casing
- 5 – Impeller
- 6 – Pump shaft
- 7 – Motor
- 8 – Coupling
- 9 – Lantern
- 10 – Tube liner
- 11 – Flange
- 12 – Pump housing
- 13 – Base plate

FIG. 2, 3

- 1 – Strainer
- 2 – Pump suction valve
- 3 – Pump discharge valve
- 4 – Check valve
- 5 – Drain + priming plug
- 6 – Air bleed screw + Filling plug
- 7 – Tank
- 8 – Foundation block
- 10 – Lifting hook

6.2 Design of product

- HELIX pumps are vertical high pressure non-self priming pumps with inline connection based on multistage design.
- HELIX pumps combine use of both high efficiency hydraulics and motors.
- All metallic parts in contact with water are made of stainless steel.
- For models equipped with heaviest motor (>40 kgs), a specific coupling allows to change the

seal without removing the motor. A cartridge seal is then used in order to ease maintenance.

- Special handling devices are integrated in order to facilitate pump installation (Fig. 7).

7. Installation and electrical connection

Installation and electrical work in compliance with any local codes and by qualified personnel only.



WARNING! Bodily injury!

Existing regulations for the prevention of accidents must be observed.



WARNING! Electrical shock hazard!

Dangers caused by electrical energy must be excluded.

7.1 Commissioning

Unpack the pump and dispose of the packaging in an environmentally-responsible manner.

7.2 Installation

The pump must be installed in a dry, well-ventilated and frost-free place.



CAUTION! Possible damage of the pump!

Dirt and solder drops in to the pump body can effect the pump operation.

- It is recommended that any welding and soldering work be done before installing the pump.
- Thoroughly flush the system out before installing the pump.
- The pump must be installed in an easily accessible position to facilitate inspection or replacement.
- For heavy pumps, install a lifting hook (Fig. 2, item 10) above the pump in order to ease its disassembly.



WARNING! Risk of accident by hot surfaces!

The pump must be positioned so that someone cannot come into contact with the hot pump surfaces while operation.

- Install the pump in a dry place protected from frost, on a flat concrete block using appropriate accessories. If possible, use an insulating material under the concrete block (cork or reinforced rubber) to avoid any noise and vibration transmission into the installation.



WARNING! Risk of fall!

The pump must be correctly screwed to the ground.

- Install the pump in a dry and frost-free place on a flat concrete block using appropriate accessories. If possible, use an insulating material under the concrete block (cork or reinforced rubber) to avoid any noise and vibration transmission into the installation.



CAUTION! Risk of parts inside the pump!

Take care to remove closure members of the pump housing before installation.



NOTE: Each pumps could be tested regarding hydraulic features in factory, some water may remain in them. It is recommended for hygienic purposes, to carry out a rinsing of the pump before any using with potable water supply.

- The installation and connection dimensions are given § 5.2.
- Lift the pump carefully by using the integrated hooks rings, if necessary with a hoist and suitable slings according to the current hoist guidelines.



WARNING! Risk of fall!

Take care to pump fixations especially for the highest pumps whose centre of gravity may lead to risk during pump handling.



WARNING! Risk of fall!

Use integrated rings only if they are not damaged (no corrosion ...). Replace them if needed.



WARNING! Risk of fall!

The pump must be never carried by using motor hooks: these are only designed to lift the motor alone.

7.3 Pipe connection

- Connect the pump to the pipes by using appropriate counterflanges, bolts, nuts and gaskets.



CAUTION!

Tightening of screws or bolts must not exceed.

Configuration PN16 / PN25	
M10 – 20 N.m	M12 – 30 N.m
Configuration PN40	
M12 – 50 N.m	M16 – 80 N.m

Use of impact wrench is prohibited.

- The circulation sense of the fluid is indicated on the identification label of the pump.
- Pump must be installed in such a way that it is not stressed by the pipework. The pipes must be attached so that the pump does not bear their weight.
- It is recommended that isolation valves be installed on the suction and discharge side of the pump.
- Use of expansion joints may mitigate noise and vibration of the pump.
- As regards the nominal cross-section of the suction pipe, we recommend a cross-section at least as large as that of the pump connection.
- A check valve could be placed on the discharge pipe in order to protect the pump against hammer shock.
- For direct connection to a public drinking water system, the suction pipe must also have a check valve and a guard valve.
- For indirect connection via a tank, the suction pipe must have a strainer to keep any impurities out of the pump and a check valve.

7.4 Motor connection for bare-shaft pump (without motor)

- Remove coupling guards.



NOTE: Coupling guards can be removed without entirely unscrewing screws.

- Install the motor on the pump by using screws (FT lantern size – see product designation) or bolts, nuts and handling devices (FF lantern size – see product designation) provided with the pump : check motor power and dimension in WILO catalogue.



NOTE: Depending on fluid characteristics, motor power could be modified. Contact WILO Customer Services if needed.

- Close the coupling guards by screwing all screws provided with the pump.

7.5 Electrical connection



WARNING! Electrical shock hazard!

Dangers caused by electrical energy must be excluded.

- Electrical work by a qualified electrician only!
 - All electrical connections must be performed after the electrical supply has been switched off and secured against unauthorized switching.
 - For safe installation and operation a proper grounding of the pump to the power supply's grounding terminals is required.
- Check that operating current, voltage and frequency used comply with motor plating data.
 - The pump must be connected to the power supply by a solid cable equipped with a grounded plug-connection or a main power switch.
 - Three-phase motors must be connected to an approved motor starter. The set nominal current must correspond to the electrical data on the pump motor name plate.
 - The supply cable must be laid so that it never touches the pipework and/or the pump and motor casing.
 - The pump/installation should be grounded in compliance with local regulations. A ground fault interrupter can be used as extra protection.
 - The connection to the network must be in accordance with the connection plan (Fig. 5).

7.6 Operation with frequency converter

- Motors used can be connected to a frequency converter in order to adapt pump performance to duty point.
- The converter must not generate voltage peaks at motor terminals higher than 850V and dU/dt slope higher than 2500 V/μs.
- In case of higher value, an appropriate filter must be used: contact converter manufacturer for this filter definition and selection.
- Strictly follow instructions provided by the converter manufacturer data sheet for installation.
- Minimum variable speed should not be set below 40% of pump nominal speed.

8. Start up

8.1 System filling – Venting



CAUTION! Possible damage of the pump!

Never operate the pump dry.
The system must be filled before starting the pump.

8.1.1 Air evacuation process – Pump with sufficient supply pressure (Fig. 3)

- Close the two guard valves (2, 3).
- Unscrew the air bleed screw from filling plug (6a).
- Slowly open the guard valve on the suction side (2).
- Retighten the air-bleed screw when air escapes at the air bleed screw and the pumped liquid flows (6a).



WARNING!

When the pumped liquid is hot and the pressure high, the stream escaping at the air bleed screw may cause burns or other injuries.

- Open the guard valve on the suction side completely (2).
- Start the pump and check if direction of rotation matches the one printed on pump plating. If this is not the case, interchange two phases in the terminal box.



CAUTION!

A wrong direction of rotation will cause bad pump performances and possibly coupling damage.

- Open the guard valve on the discharge side (3).

8.1.2 Air evacuation process – Pump in suction (Fig. 2)

- Close the guard valve on the discharge side (3).
Open the guard valve on the suction side (2).
- Remove the filling plug (6b).
- Open the drain-priming plug not completely (5b).
- Fill the pump and the suction pipe with water.
- Make sure that there is no air in the pump and in the suction pipe : refilling until complete removal of air is required.
- Close the filling plug with air bleed screw (6b).
- Start the pump and check if direction of rotation matches the one printed on pump plating. If this is not the case, interchange two phases in the terminal box.



CAUTION!

A wrong direction of rotation will cause bad pump performances and possibly coupling damage.

- Open the guard valve on the discharge side a little (3).
- Unscrew the air bleed screw from filling plug for air venting (6a).
- Retighten the air-bleed screw when air escapes at the air bleed screw and the pumped liquid flows.



WARNING!

When the pumped liquid is hot and the pressure high, the stream escaping at the air bleed screw may cause burns or other injuries.

- Open the guard valve on the discharge side completely (3).
- Close the drain-priming plug (5a).

8.2 Starting up



CAUTION!

The pump must not operate at zero flow (closed discharge valve).



WARNING! Risk of injury!

When the pump runs, coupling guards must be in place, tightened with all appropriate screws.



WARNING! Important noise!

Noise emitted by most powerful pumps could be very high : protection must be used in case of long stay close to the pump.



WARNING!

Installation must be designed in order that no one could be hurt in case of fluid leakage (mechanical seal failure ...).

9. Maintenance – Service

All servicing should be performed by an authorized service representative!



WARNING! Electrical shock hazard!

Dangers caused by electrical energy must be excluded.

All electrical work must be performed after the electrical supply has been switched off and secured against unauthorized switching.



WARNING! Risk of scalding!

At high water temperatures and system pressure close isolating valves before and after the pump. First, allow pump to cool down.

- These pumps are maintenance free. Nevertheless a regular check is recommended every 15 000 hours.
- In option, mechanical seal could be easily replaced on some models thanks to its cartridge seal design. Insert its adjusting wedge in its housing (Fig. 6) once mechanical seal position is set.
- Always keep the pump perfectly clean.
- Pumps which are not being used during periods of frost should be drained to avoid damage: Close the guard valves, open completely the drain-priming plug and the air bleed screw.
- Service life: 10 years depending on the operating conditions and whether all requirements described in the operation manual have been met.

10. Defects – causes – remedies



WARNING! Electrical shock hazard!

Dangers caused by electrical energy must be excluded.

All electrical work must be performed after the electrical supply has been switched off and secured against unauthorized switching.



WARNING! Risk of scalding!

At high water temperatures and system pressure close isolating valves before and after the pump.

First, allow pump to cool down.

Defects	Causes	Remedies
Pump fails to operate	No current	Check the fuses, the wiring, and the connectors
	The thermistor tripping device has tripped out, cutting off power	Eliminate any cause of overloading of the motor
Pump runs but delivers too little	Wrong direction of rotation	Check the direction of rotation of the motor and correct it if necessary
	Parts of the pump are obstructed by foreign bodies	Check and clean the pipe
	Air in suction pipe	Make the suction pipe airtight
	Suction pipe too narrow	Install a larger suction pipe
	The valve is not open far enough	Open the valve properly
Pump delivers unevenly	Air in pump	Evacuate the air in the pump; check that the suction pipe is airtight. If required, start the pump 20–30s – open the air bleed screw in order to move air away – close the air bleed screw and repeat it several times until no more air is going out of the pump
Pump vibrates or is noisy	Foreign bodies in pump	Remove the foreign bodies
	Pump not properly attached to ground	Retighten the screws
	Bearing damaged	Call Wilo Customer Service
Motor overheats. Its protection trips out	A phase is open-circuit	Check the fuses, the wiring, and the connectors
	Ambient temperature too high	Provide cooling
Mechanical seal is leaking	Mechanical seal is damaged	Replace the mechanical seal

If the fault cannot be solved, please contact WILO customer services.

11. Spare parts

All spare parts must be ordered through WILO Customer Services.

In order to avoid any mistakes, please specify the name plate data for orders.

Spare parts catalogue is available at www.wilo.com.

12. Safe disposal

Proper disposal and recycling of this product prevents damage to the environment and risks to personal health.

Disposal in accordance with the regulations requires the product to be drained and cleaned. Lubricants must be collected. The pump components are to be separated according to material (metal, plastic, electronics).

1. Use public or private disposal organizations when disposing of all or part of the product.
2. For more information on proper disposal, please contact your local council or waste disposal office or the supplier from whom you obtained the product.

NOTE: The pump must not be disposed of along with household waste. Further information on recycling can be found at www.wilo-recycling.com.

Subject to technical alterations!

EG KONFORMITÄTSERKLÄRUNG
EC DECLARATION OF CONFORMITY
DECLARATION DE CONFORMITE CE

Als Hersteller erklären wir hiermit, dass die Pumpenbauarten der Baureihen
We, the manufacturer, declare that the pump types of the series
Nous, fabricant, déclarons que les types de pompes des séries

HELIX
HELIX FIRST

V2
V4
V6
V10
V16

(Die Seriennummer ist auf dem Typenschild des Produktes nach Punkten b) & c) von §1.7.4.2 und §1.7.3 des Anhanges I der Maschinenrichtlinie angegeben. / The serial number is marked on the product site plate according to points b) & c) of §1.7.4.2 and §1.7.3 of the annex I of the Machinery directive. / Le numéro de série est inscrit sur la plaque signalétique du produit en accord avec les points b) & c) du §1.7.4.2 et du §1.7.3 de l'annexe I de la Directive Machines.)

in der gelieferten Ausführung folgenden einschlägigen Bestimmungen entsprechen :
In their delivered state comply with the following relevant directives :
dans leur état de livraison sont conformes aux dispositions des directives suivantes :

– **Maschinenrichtlinie 2006/42/EG**

– **Machinery 2006/42/EC**

– **Machines 2006/42/CE**

und gemäss Anhang 1, §1.5.1, werden die Schutzziele der Niederspannungsrichtlinie 2006/95/EG eingehalten,
and according to the annex 1, §1.5.1, comply with the safety objectives of the Low Voltage Directive 2006/95/EC.
et, suivant l'annexe 1, §1.5.1, respectent les objectifs de sécurité de la Directive Basse Tension 2006/95/CE.

– **Elektromagnetische Verträglichkeit-Richtlinie 2004/108/EG**

– **Electromagnetic compatibility 2004/108/EC**

– **Compabilité électromagnétique 2004/108/CE**

– **Richtlinie energieverbrauchsrelevanter Produkte 2009/125/EG**

– **Energy-related products 2009/125/EC**

– **Produits liés à l'énergie 2009/125/CE**

Nach den Okodesign-Anforderungen der Verordnung 640/2009 für Ausführungen mit einem einstufigen Dreiphasen - 50Hz - Käfigläufer - Induktionselektromotor / Nach den Ökodesign-Anforderungen der Verordnung 547/2012 für Wasserpumpen,
This applies according to eco-design requirements of the regulation 640/2009 to the versions with an induction electric motor, squirrel cage, three-phase, single speed, running at 50Hz / This applies according to eco-design requirements of the regulation 547/2012 for water pumps, suivant les exigences d'éco-conception du règlement 640/2009 aux versions comportant un moteur électrique à induction à cage d'écureuil, triphasé, mono-vitesse, fonctionnant à 50Hz / suivant les exigences d'éco-conception du règlement 547/2012 pour les pompes à eau

und entsprechender nationaler Gesetzgebung,
and with the relevant national legislation,
et aux législations nationales les transposant,

sowie auch den Bestimmungen zu folgenden harmonisierten europäischen Normen :
comply also with the following relevant harmonized European standards :
sont également conformes aux dispositions des normes européennes harmonisées suivantes :

EN 809+A1
EN ISO 12100

EN 60034-1
EN 60204-1

EN 60034-30-1

Bevollmächtigter für die Zusammenstellung der technischen Unterlagen ist:

Person authorized to compile the technical file is :

Personne autorisée à constituer le dossier technique est :

Dortmund,

Digital unterschrieben

von
holger.herchenhein@wilo.
com

Datum: 2015.06.15
07:51:48 +02'00'

H. HERCHENHEIN
Senior Vice President - Group Quality

Division Pumps and Systems
Quality Manager - PBU Multistage and Domestic Pumps
WILO SALMSON FRANCE SAS
80 Bd de l'Industrie - BP 0527
F-53005 Laval Cedex

wilo

WILO SE
Northkirchenstraße 100
44263 Dortmund - Germany

N°2117757.03 (CE-A-S n°4151602)

<p align="center">(BG) - Български език ДЕКЛАРАЦИЯ ЗА СЪОТЕТСТВИЕ ЕО</p> <p>WILO SE декларира, че продуктите посочени в настоящата декларация съответстват на разпоредбите на следните европейски директиви и приелите ги национални законодателства:</p> <p>Машини 2006/42/ЕО ; Електромагнитна съвместимост 2004/108/ЕО ; Продукти, свързани с енергопотреблението 2009/125/ЕО</p> <p>както и на хармонизираните европейски стандарти, упоменати на предишната страница.</p>	<p align="center">(CS) - Čeština ES PROHLÁŠENÍ O SHODĚ</p> <p>WILO SE prohlašuje, že výrobky uvedené v tomto prohlášení odpovídají ustanovením níže uvedených evropských směrnic a národním právním předpisům, které je přejímají:</p> <p>Stroje 2006/42/ES ; Elektromagnetická Kompatibilita 2004/108/ES ; Výrobků spojených se spotřebou energie 2009/125/ES</p> <p>a rovněž splňují požadavky harmonizovaných evropských norem uvedených na předcházející stránce.</p>
<p align="center">(DA) - Dansk EF-OVERENSSTEMMELSESERKLÆRING</p> <p>WILO SE erklærer, at produkterne, som beskrives i denne erklæring, er i overensstemmelse med bestemmelserne i følgende europæiske direktiver, samt de nationale lovgivninger, der gennemfører dem:</p> <p>Maskiner 2006/42/EF ; Elektromagnetisk Kompatibilitet 2004/108/EF ; Energi-relaterede produkter 2009/125/EF</p> <p>De er ligeledes i overensstemmelse med de harmoniserede europæiske standarder, der er anført på forrige side.</p>	<p align="center">(EL) - Ελληνικά ΔΗΛΩΣΗ ΣΥΜΜΟΡΦΩΣΗΣ ΕΚ</p> <p>WILO SE δηλώνει ότι τα προϊόντα που ορίζονται στην παρούσα ευρωπαϊκή δήλωση είναι σύμφωνα με τις διατάξεις των παρακάτω οδηγιών και τις εθνικές νομοθεσίες στις οποίες έχει μεταφερθεί:</p> <p>Μηχανήματα 2006/42/ΕΚ ; Ηλεκτρομαγνητικής συμβατότητας 2004/108/ΕΚ ; Συνδεδεμένα με την ενέργεια προϊόντα 2009/125/ΕΚ</p> <p>και επίσης με τα εξής εναρμονισμένα ευρωπαϊκά πρότυπα που αναφέρονται στην προηγούμενη σελίδα.</p>
<p align="center">(ES) - Español DECLARACIÓN CE DE CONFORMIDAD</p> <p>WILO SE declara que los productos citados en la presente declaración están conformes con las disposiciones de las siguientes directivas europeas y con las legislaciones nacionales que les son aplicables :</p> <p>Máquinas 2006/42/CE ; Compatibilidad Electromagnética 2004/108/CE ; Productos relacionados con la energía 2009/125/CE</p> <p>Y igualmente están conformes con las disposiciones de las normas europeas armonizadas citadas en la página anterior.</p>	<p align="center">(ET) - Eesti keel EÜ VASTAVUSDEKLARATSIOONI</p> <p>WILO SE kinnitab, et selles vastavustunnistuses kirjeldatud tooted on kooskõlas alljärgnevale Euroopa direktiivide sätetega ning riiklike seadusandlustega, mis nimetatud direktiivid üle on võtnud:</p> <p>Masinaid 2006/42/EÜ ; Elektromagnetilist Ühilduvust 2004/108/EÜ ; Energiatõuga toodete 2009/125/EÜ</p> <p>Samuti on tooted kooskõlas eelmisel leheküljel ära toodud harmoniseeritud Euroopa standarditega.</p>
<p align="center">(FI) - Suomen kieli EY-VAATIMUSTENMUKAISUUSVAKUUTUS</p> <p>WILO SE vakuuttaa, että tässä vakuutuksessa kuvatut tuotteet ovat seuraavien eurooppalaisten direktiivien määräysten sekä niihin sovellettavien kansallisten lakiasetusten mukaisia:</p> <p>Koneet 2006/42/EY ; Sähkömagneettinen Yhteensopivuus 2004/108/EY ; Energiaan liittyvien tuotteiden 2009/125/EY</p> <p>Lisäksi ne ovat seuraavien edellisellä sivulla mainittujen yhdenmukaistettujen eurooppalaisten normien mukaisia.</p>	<p align="center">(HR) - Hrvatski EZ IZJAVA O SUKLADNOSTI</p> <p>WILO SE izjavljuje da su proizvodi navedeni u ovoj izjavi u skladu sa sljedećim prihvaćenim europskim direktivama i nacionalnim zakonima:</p> <p>EZ smjernica o strojevima 2006/42/EZ ; Elektromagnetna kompatibilnost - smjernica 2004/108/EZ ; Smjernica za proizvode relevantne u pogledu potrošnje energije 2009/125/EZ</p> <p>i usklađenim europskim normama navedenim na prethodnoj stranici.</p>
<p align="center">(HU) - Magyar EK-MEGFELELŐSÉGI NYILATKOZAT</p> <p>WILO SE kijelenti, hogy a jelen megfelelőségi nyilatkozatban megjelölt termékek megfelelnek a következő európai irányelvek előírásainak, valamint azok nemzeti jogrendbe átültetett rendelkezéseinek:</p> <p>Gépek 2006/42/EK ; Elektromágneses összeférhetőségre 2004/108/EK ; Energiával kapcsolatos termékek 2009/125/EK</p> <p>valamint az előző oldalon szereplő, harmonizált európai szabványoknak.</p>	<p align="center">(IT) - Italiano DICHIARAZIONE CE DI CONFORMITÀ</p> <p>WILO SE dichiara che i prodotti descritti nella presente dichiarazione sono conformi alle disposizioni delle seguenti direttive europee nonché alle legislazioni nazionali che le traspongono :</p> <p>Macchine 2006/42/CE ; Compatibilità Elettromagnetica 2004/108/CE ; Prodotti connessi all'energia 2009/125/CE</p> <p>E sono pure conformi alle disposizioni delle norme europee armonizzate citate a pagina precedente.</p>
<p align="center">(LT) - Lietuvių kalba EB ATITIKTIES DEKLARACIJA</p> <p>WILO SE pareiškia, kad šioje deklaracijoje nurodyti gaminiai atitinka šių Europos direktyvų ir jas perkeliančių nacionalinių įstatymų nuostatus:</p> <p>Mašinos 2006/42/EB ; Elektromagnetinis Suderinamumas 2004/108/EB ; Energija susijusiems gaminiams 2009/125/EB</p> <p>ir taip pat harmonizuotas Europos normas, kurios buvo cituotos ankstesniame puslapyje.</p>	<p align="center">(LV) - Latviešu valoda EK ATBILSTĪBAS DEKLARĀCIJU</p> <p>WILO SEdeklarē, ka izstrādājumi, kas ir nosaukti šajā deklarācijā, atbilst šeit uzskaitīto Eiropas direktīvu nosacījumiem, kā arī atsevišķu valstu likumiem, kuros tie ir ietverti:</p> <p>Mašīnas 2006/42/EK ; Elektromagnētiskās Saderības 2004/108/EK ; Enerģiju saistītiem ražojumiem 2009/125/EK</p> <p>un saskaņotajiem Eiropas standartiem, kas minēti iepriekšējā lappusē.</p>
<p align="center">(MT) - Malti DIKJARAZZJONI KE TA' KONFORMITÀ</p> <p>WILO SE jiddikjara li l-prodotti speċifikati f'din id-dikjarazzjoni huma konformi mad-direttivi Ewropej li jsegwu u mal-legislazzjonijiet nazzjonali li japplikawhom:</p> <p>Makkinarju 2006/42/KE ; Kompatibbiltà Elettromanjetika 2004/108/KE ; Prodotti relatati mal-enerġija 2009/125/KE</p> <p>kif ukoll man-normi Ewropej armonizzati li jsegwu imsemmija fil-paġna preċedenti.</p>	<p align="center">(NL) - Nederlands EG-VERKLARING VAN OVEREENSTEMMING</p> <p>WILO SE verklaart dat de in deze verklaring vermelde producten voldoen aan de bepalingen van de volgende Europese richtlijnen evenals aan de nationale wetgevingen waarin deze bepalingen zijn overgenomen:</p> <p>Machines 2006/42/EG ; Elektromagnetische Compatibiliteit 2004/108/EG ; Energiegerelateerde producten 2009/125/EG</p> <p>De producten voldoen eveneens aan de geharmoniseerde Europese normen die op de vorige pagina worden genoemd.</p>

<p align="center">(NO) - Norsk EU-OVERENSSTEMMELSESERKLÆING</p> <p>WILO SE erklærer at produktene nevnt i denne erklæringen er i samsvar med følgende europeiske direktiver og nasjonale lover:</p> <p>EG-Maskindirektiv 2006/42/EG ; EG-EMV-Elektromagnetisk kompatibilitet 2004/108/EG ; Direktiv energirelaterte produkter 2009/125/EF</p> <p>og harmoniserte europeiske standarder nevnt på forrige side.</p>	<p align="center">(PL) - Polski DEKLARACJA ZGODNOŚCI WE</p> <p>WILO SE oświadcza, że produkty wymienione w niniejszej deklaracji są zgodne z postanowieniami następujących dyrektyw europejskich i transponującymi je przepisami prawa krajowego:</p> <p>Maszyn 2006/42/WE ; Kompatybilności Elektromagnetycznej 2004/108/WE ; Produktów związanych z energią 2009/125/WE</p> <p>oraz z następującymi normami europejskich zharmonizowanymi podanymi na poprzedniej stronie.</p>
<p align="center">(PT) - Português DECLARAÇÃO CE DE CONFORMIDADE</p> <p>WILO SE declara que os materiais designados na presente declaração obedecem às disposições das directivas europeias e às legislações nacionais que as transcrevem :</p> <p>Máquinas 2006/42/CE ; Compatibilidade Electromagnética 2004/108/CE ; Produtos relacionados com o consumo de energia 2009/125/CE</p> <p>E obedecem também às normas europeias harmonizadas citadas na página precedente.</p>	<p align="center">(RO) - Română DECLARAȚIE DE CONFORMITATE CE</p> <p>WILO SE declară că produsele citate în prezenta declarație sunt conforme cu dispozițiile directivelor europene urmatoare și cu legislațiile naționale care le transpun :</p> <p>Mașini 2006/42/CE ; Compatibilitate Electromagnetică 2004/108/CE ; Produselor cu impact energetic 2009/125/CE</p> <p>și, de asemenea, sunt conforme cu normele europene armonizate citate în pagina precedentă.</p>
<p align="center">(RU) - русский язык Декларация о соответствии Европейским нормам</p> <p>WILO SE заявляет, что продукты, перечисленные в данной декларации о соответствии, отвечают следующим европейским директивам и национальным предписаниям:</p> <p>Директива ЕС по машинному оборудованию 2006/42/ЕС ; Директива ЕС по электромагнитной совместимости 2004/108/ЕС ; Директива о продукции, связанной с энергопотреблением 2009/125/ЕС</p> <p>и гармонизированным европейским стандартам, упомянутым на предыдущей странице.</p>	<p align="center">(SK) - Slovenčina ES VYHLÁSENIE O ZHODE</p> <p>WILO SE čestne prehlasuje, že výrobky ktoré sú predmetom tejto deklarácie, sú v súlade s požiadavkami nasledujúcich európskych direktív a odpovedajúcich národných legislatívnych predpisov:</p> <p>Strojových zariadeniach 2006/42/ES ; Elektromagnetickú Kompatibilitu 2004/108/ES ; Energeticky významných výrobkov 2009/125/ES</p> <p>ako aj s harmonizovanými európskych normami uvedenými na predchádzajúcej strane.</p>
<p align="center">(SL) - Slovenščina ES-IZJAVA O SKLADNOSTI</p> <p>WILO SE izjavlja, da so izdelki, navedeni v tej izjavi, v skladu z določili naslednjih evropskih direktiv in z nacionalnimi zakonodajami, ki jih vsebujejo:</p> <p>Stroji 2006/42/ES ; Elektromagnetno Združljivostjo 2004/108/ES ; Izdelkov, povezanih z energijo 2009/125/ES</p> <p>pa tudi z usklajenimi evropskih standardi, navedenimi na prejšnji strani.</p>	<p align="center">(SV) - Svenska EG-FÖRSÄKRAN OM ÖVERENSSTÄMMELSE</p> <p>WILO SE intygar att materialet som beskrivs i följande intyg överensstämmer med bestämmelserna i följande europeiska direktiv och nationella lagstiftningar som inför dem:</p> <p>Maskiner 2006/42/EG ; Elektromagnetisk Kompatibilitet 2004/108/EG ; Energirelaterade produkter 2009/125/EG</p> <p>Det överensstämmer även med följande harmoniserade europeiska standarder som nämnts på den föregående sidan.</p>
<p align="center">(TR) - Türkçe CE UYGUNLUK TEYID BELGESİ</p> <p>WILO SEbu belgede belirtilen ürünlerin aşağıdaki Avrupa yönetmeliklerine ve ulusal kanunlara uygun olduğunu beyan etmektedir:</p> <p>Makine Yönetmeliği 2006/42/AT ; Elektromanyetik Uyumluluk Yönetmeliği 2004/108/AT ; Eko Tasarım Yönetmeliği 2009/125/AT</p> <p>ve önceki sayfada belirtilen uyumlaştırılmış Avrupa standartlarına.</p>	

Wilo – International (Subsidiaries)

Argentina

WILO SALMSON
Argentina S.A.
C1295ABI Ciudad
Autónoma de Buenos Aires
T+ 54 11 4361 5929
info@salmson.com.ar

Australia

WILO Australia Pty Limited
Murrarie, Queensland,
4172
T +61 7 3907 6900
chris.dayton@wilo.com.au

Austria

WILO Pumpen
Österreich GmbH
2351 Wiener Neudorf
T +43 507 507-0
office@wilo.at

Azerbaijan

WILO Caspian LLC
1014 Baku
T +994 12 5962372
info@wilo.az

Belarus

WILO Bel OOO
220035 Minsk
T +375 17 2535363
wilo@wilo.by

Belgium

WILO SA/NV
1083 Ganshoren
T +32 2 4823333
info@wilo.be

Bulgaria

WILO Bulgaria Ltd.
1125 Sofia
T +359 2 9701970
info@wilo.bg

Brazil

WILO Brasil Ltda
Jundiaí – SP – CEP
13.201-005
T + 55 11 2817 0349
wilo@wilo-brasil.com.br

Canada

WILO Canada Inc.
Calgary, Alberta T2A 5L4
T +1 403 2769456
bill.lowe@wilo-na.com

China

WILO China Ltd.
101300 Beijing
T +86 10 58041888
wilobj@wilo.com.cn

Croatia

WILO Hrvatska d.o.o.
10090 Zagreb
T +38 51 3430914
wilo-hrvatska@wilo.hr

Czech Republic

WILO Praha s.r.o.
25101 Cestlice
T +420 234 098711
info@wilo.cz

Denmark

WILO Danmark A/S
2690 Karlslunde
T +45 70 253312
wilo@wilo.dk

Estonia

WILO Eesti OÜ
12618 Tallinn
T +372 6 509780
info@wilo.ee

Finland

WILO Finland OY
02330 Espoo
T +358 207401540
wilo@wilo.fi

France

WILO S.A.S.
78390 Bois d'Arcy
T +33 1 30050930
info@wilo.fr

Great Britain

WILO (U.K.) Ltd.
DE14 2WJ Burton-
Upon-Trent
T +44 1283 523000
sales@wilo.co.uk

Greece

WILO Hellas AG
14569 Anixi (Attika)
T +302 10 6248300
wilo.info@wilo.gr

Hungary

WILO Magyarország Kft
2045 Törökbálint
(Budapest)
T +36 23 889500
wilo@wilo.hu

India

WILO India Mather and
Platt Pumps Ltd.
Pune 411019
T +91 20 27442100
service@
pun.matherplatt.co.in

Indonesia

WILO Pumps Indonesia
Jakarta Selatan 12140
T +62 21 7247676
citrawilo@cbn.net.id

Ireland

WILO Ireland
Limerick
T +353 61 227566
sales@wilo.ie

Italy

WILO Italia s.r.l.
20068 Peschiera
Borromeo (Milano)
T +39 25538351
wilo.italia@wilo.it

Kazakhstan

WILO Central Asia
050002 Almaty
T +7 727 2785961
info@wilo.kz

Korea

WILO Pumps Ltd.
621-807 Gimhae
Gyeongnam
T +82 55 3405890
wilo@wilo.co.kr

Latvia

WILO Baltic SIA
1019 Riga
T +371 7 145229
mail@wilo.lv

Lebanon

WILO SALMSON
Lebanon
12022030 El Metn
T +961 4 722280
wsl@cyberia.net.lb

Lithuania

WILO Lietuva UAB
03202 Vilnius
T +370 5 2136495
mail@wilo.lt

Morocco

WILO Maroc
SARLQUARTIER
INDUSTRIEL AIN SEBAA
20250
CASABLANCA
T +212 (0) 5 22 660 924
contact@wilo.ma

The Netherlands

WILO Nederland b.v.
1551 NA Westzaan
T +31 88 9456 000
info@wilo.nl

Norway

WILO Norge AS
0975 Oslo
T +47 22 804570
wilo@wilo.no

Poland

WILO Polska Sp. z o.o.
05-090 Raszyn
T +48 22 7026161
wilo@wilo.pl

Portugal

Bombas Wilo-Salmson
Portugal Lda.
4050-040 Porto
T +351 22 2080350
bombas@wilo.pt

Romania

WILO Romania s.r.l.
077040 Com. Chiajna
Jud. Ilfov
T +40 21 3170164
wilo@wilo.ro

Russia

WILO Rus ooo
123592 Moscow
T +7 495 7810690
wilo@wilo.ru

Saudi Arabia

WILO ME – Riyadh
Riyadh 11465
T +966 1 4624430
wshoula@wataniaind.com

Serbia and Montenegro

WILO Beograd d.o.o.
11000 Beograd
T +381 11 2851278
office@wilo.co.yu

Slovakia

WILO Slovakia s.r.o.
83106 Bratislava
T +421 2 33014511
wilo@wilo.sk

Slovenia

WILO Adriatic d.o.o.
1000 Ljubljana
T +386 1 5838130
wilo.adriatic@wilo.si

South Africa

Salmson South Africa
1610 Edenvale
T +27 11 6082780
errol.cornelius@
salmson.co.za

Spain

WILO Ibérica S.A.
28806 Alcalá de Henares
(Madrid)
T +34 91 8797100
wilo.iberica@wilo.es

Sweden

WILO Sverige AB
35246 Växjö
T +46 470 727600
wilo@wilo.se

Switzerland

EMB Pumpen AG
4310 Rheinfelden
T +41 61 83680-20
info@emb-pumpen.ch

Taiwan

WILO-EMU Taiwan Co. Ltd.
110 Taipei
T +886 227 391655
nelson.wu@
wiloemutaiwan.com.tw

Turkey

WILO Pompa Sistemleri
San. ve Tic. A.Ş.
34956 İstanbul
T +90 216 2509400
wilo@wilo.com.tr

Ukraine

WILO Ukraina t.o.w.
01033 Kiev
T +38 044 2011870
wilo@wilo.ua

United Arab Emirates

WILO Middle East FZE
Jebel Ali Free Zone –
South – Dubai
T +971 4 880 91 77
info@wilo.ae

USA

WILO USA LLC
Rosemont, IL 60018
T +1 866 945 6872
info@wilo-usa.com

Vietnam

WILO Vietnam Co Ltd.
Ho Chi Minh City, Vietnam
T +84 8 38109975
nkminh@wilo.vn

wilo

Pioneering for You

WILO SE
Nortkirchenstraße 100
D-44263 Dortmund
Germany
T +49(0)231 4102-0
F +49(0)231 4102-7363
wilo@wilo.com
www.wilo.com