

Pioneering for You

wilo

Range Leaflet – Edition 2020 – 50 Hz

Wilo-Xiro SPI

Multistage submersible pump





Wilo-Xiro SPI



Construction

Multistage stainless steel submersible pump in tie strap version for vertical and horizontal installation

Type key

Example:	Xiro SPI 6.30-11-A1/XI6-9.3-B1
SPI	Submersible pump made of sheet stainless steel
6	Diameter of the hydraulic unit in inches ["]
30	Rated volume flow at optimum efficiency in m ³ /h
11	Number of hydraulic stages
A1	Technical key figures for hydraulics
X	Motor construction type: prefilled with water-glycol mixture and rewindable
I	Motor material version: I = Final parts made of stainless steel C = Final parts made of cast iron
6	Diameter of the motor in inches ["]
9.3	Rated motor power P2 in kW
B1	Technical key figures for motor

Application

- For process water supply from boreholes and rainwater storage tanks
- For sprinkling and irrigation
- Lowering of the water level
- For pumping water without long-fibre and abrasive constituents

Technical data

- Mains connection: 3~400 V, 50 Hz
- Submerged operating mode: S1

Your advantages

- Long service life due to corrosion-resistant hydraulics made of stainless steel
- Universally applicable due to a high performance range
- Easy installation with integrated non-return valve
- Easy to maintain and repair due to rewindable motors

- Fluid temperature: 3-30 °C
- Minimum flow rate at motor: 0.2 m/s or 0.5 m/s (depending on performance)
- Max. sand content: 50 g/m³
- Max. number of starts: 10 -20/h (depending on performance)
- Max. immersion depth: 200 m
- Protection class: IP 68
- Pressure connection: Rp 2½ to Rp 6

Equipment/function

- Multistage hydraulics with radial or semi-axial impellers
- Integrated non-return valve
- NEMA coupling for 6" and 8" hydraulics
- Rewindable, three-phase AC motor

Materials

- Hydraulic housing: Stainless steel AISI 304L (1.4307)
- Impellers: Stainless steel AISI 304L (1.4307)
- Hydraulic shaft: Stainless steel AISI 420 (1.4021)
- Motor housing: Stainless steel AISI 304 (1.4301)
- Motor shaft: Stainless steel AISI 304 (1.4301)

Description/construction

Submersible pump for vertical or horizontal installation.

Hydraulics

Multistage submersible motor pump with NEMA (6" and 8") or standard connection (10") with radial or semi-axial impellers with sectional construction. Integrated non-return valve. All parts that come in contact with the fluid are made of corrosion-free materials.

Motor

Rewindable three-phase AC motor with PE2/PA-isolated winding and a water-glycol filling for direct startup. Hydraulic connection as NEMA (6" and 8") or standard connection (10"). Sealing of motor shaft with a mechanical seal made of carbon/ceramic material. Self-lubricating motor bearing. Thrust bearing with rockers for absorption of high axial thrust. Negative axial thrust is absorbed by the rotating seal bearing.

Cooling

The motor is cooled by the pumped fluid. The motor must always be immersed when operated. The limit values for

maximum fluid temperature and minimum flow velocity must be adhered to. Vertical installation is possible with or without cooling jacket. Horizontal installation must be performed in conjunction with a cooling jacket.

Scope of delivery

- Hydraulics and motor ready assembled
- 4.3 m connection cable
- Installation and operating instructions

Options

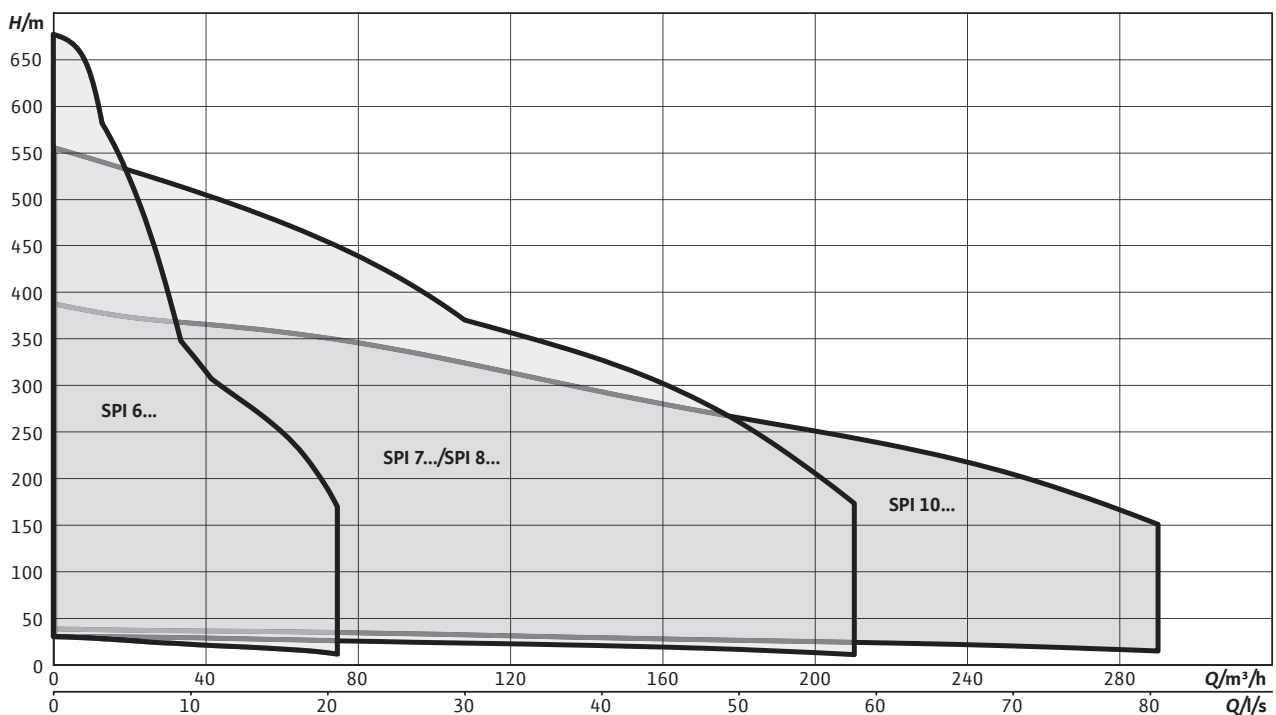
- Hydraulics in stainless steel 1.4401
- Motor in EN-GJL or stainless steel 1.4401
- Winding temperature monitoring with Pt100 sensor
- Pressure shroud installation
- Star-delta activation

Configuration

- No suction mode is possible with these units!
- The unit must be fully immersed in water during operation.
- Operation with frequency converter upon request

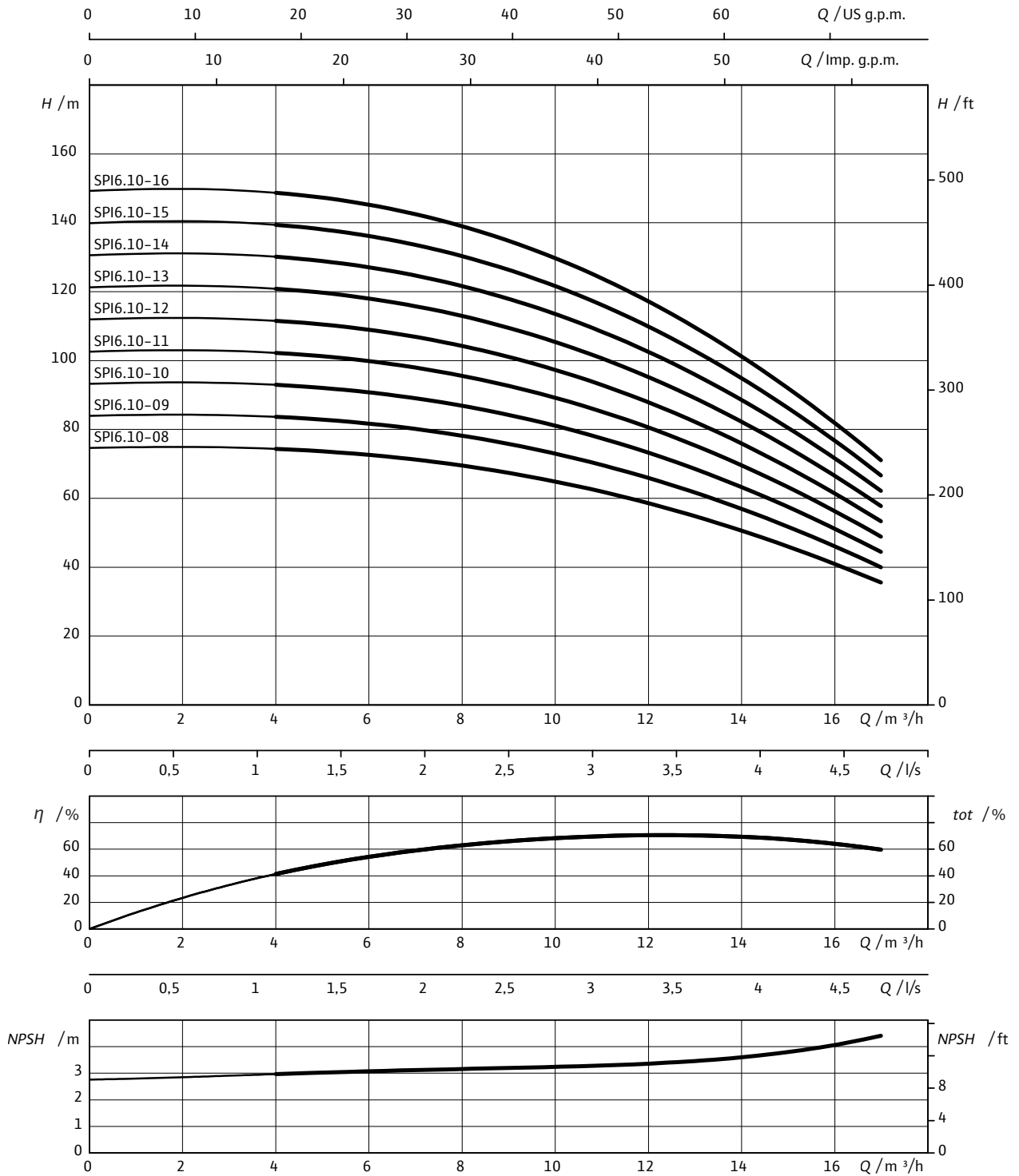
Duty chart

Xiro SPI, 50 Hz



Pump curve

Xiro SPI 6.10



3~400 V, 50 Hz, $\rho = 1 \text{ kg/dm}^3$, $\nu = 1 \times 10^{-6} \text{ m}^2/\text{s}$, ISO 9906 Annex A

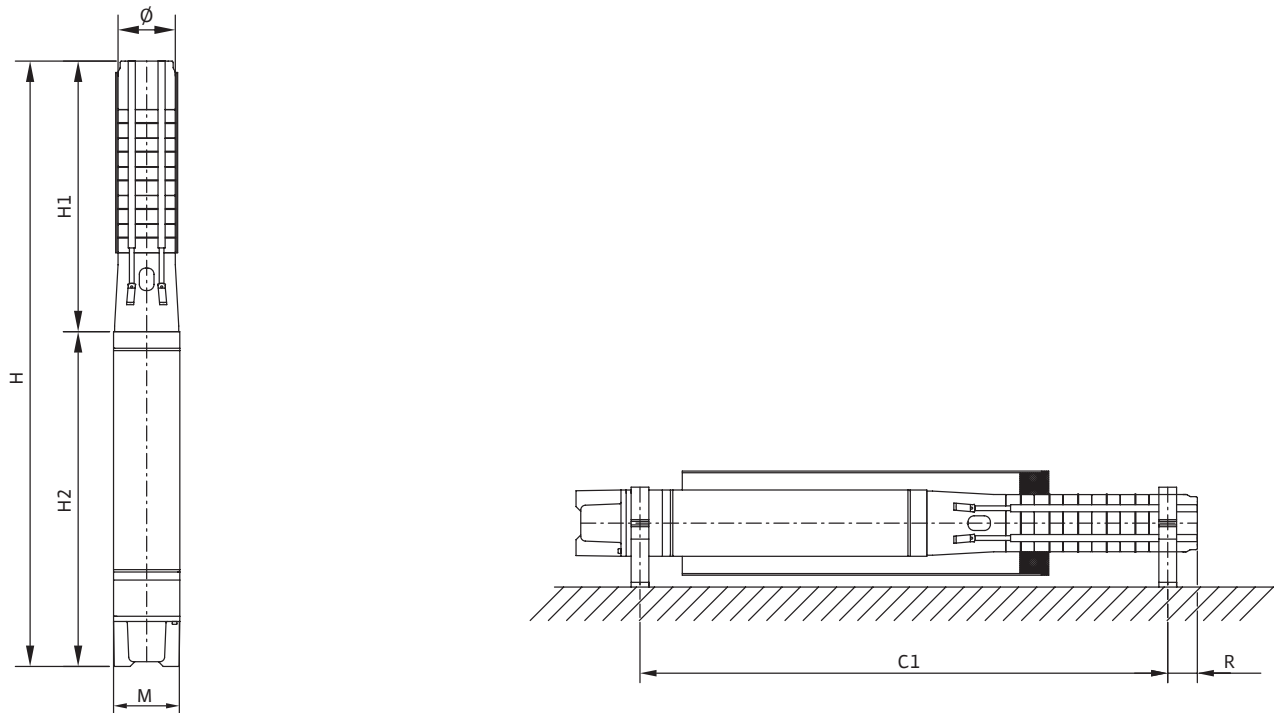
Subject to change without prior notice – Version dated June 2020.

Motor data						
	Motor diameter	Mains connection	Rated power	Rated current	Connection cable length	Cable cross-section
	DM in		P_2 kW	I_N A	D m	mm ²
Xiro SPI6.10-08-A1/ XI6-4,0-B1	6	3~400 V, 50 Hz	4	9.8	4.3	3x2,5
Xiro SPI6.10-09-A1/ XI6-4,0-B1	6	3~400 V, 50 Hz	4	9.8	4.3	3x2,5
Xiro SPI6.10-10-A1/ XI6-4,0-B1	6	3~400 V, 50 Hz	4	9.8	4.3	3x2,5
Xiro SPI6.10-11-A1/ XI6-4,0-B1	6	3~400 V, 50 Hz	4	9.8	4.3	3x2,5
Xiro SPI6.10-12-A1/ XI6-5,5-B1	6	3~400 V, 50 Hz	5.5	12.8	4.3	3x2,5
Xiro SPI6.10-13-A1/ XI6-5,5-B1	6	3~400 V, 50 Hz	5.5	12.8	4.3	3x2,5
Xiro SPI6.10-14-A1/ XI6-5,5-B1	6	3~400 V, 50 Hz	5.5	12.8	4.3	3x2,5
Xiro SPI6.10-15-A1/ XI6-5,5-B1	6	3~400 V, 50 Hz	5.5	12.8	4.3	3x2,5
Xiro SPI6.10-16-A1/ XI6-7,5-B1	6	3~400 V, 50 Hz	7.5	16.5	4.3	3x2,5

Information for order placements				
	Name	Art. no.	Item no. for jacket pipe cooling (vertical)	Item no. for jacket pipe cooling (horizontal)
Xiro SPI6.10-08-A1/ XI6-4,0-B1	XI6-WR-4,0-400-3-50-DOL-B1	6073405	-	-
Xiro SPI6.10-09-A1/ XI6-4,0-B1	XI6-WR-4,0-400-3-50-DOL-B1	6073406	-	-
Xiro SPI6.10-10-A1/ XI6-4,0-B1	XI6-WR-4,0-400-3-50-DOL-B1	6073407	-	-
Xiro SPI6.10-11-A1/ XI6-4,0-B1	XI6-WR-4,0-400-3-50-DOL-B1	6073408	-	-
Xiro SPI6.10-12-A1/ XI6-5,5-B1	XI6-WR-5,5-400-3-50-DOL-B1	6073409	-	-
Xiro SPI6.10-13-A1/ XI6-5,5-B1	XI6-WR-5,5-400-3-50-DOL-B1	6073410	-	-
Xiro SPI6.10-14-A1/ XI6-5,5-B1	XI6-WR-5,5-400-3-50-DOL-B1	6073411	-	-
Xiro SPI6.10-15-A1/ XI6-5,5-B1	XI6-WR-5,5-400-3-50-DOL-B1	6073412	-	-
Xiro SPI6.10-16-A1/ XI6-7,5-B1	XI6-WR-7,5-400-3-50-DOL-B1	6073413	-	-

Dimension drawing (variable)

Wilo-Xiro SPI



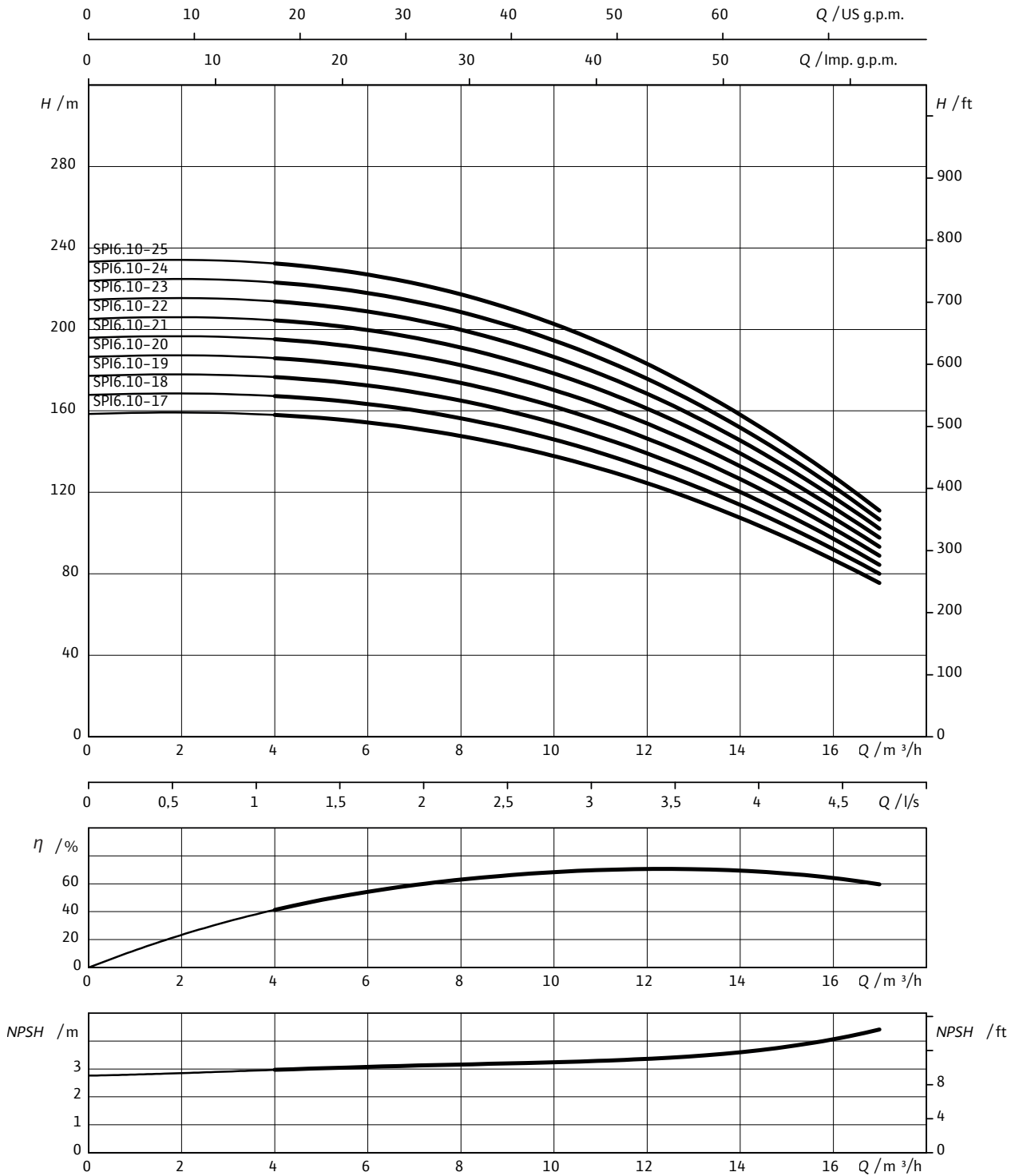
Dimensions, weights

Type	Dimensions						Net weight, approx. m kg	Installation approx. V+H 1)
	H1	H2 mm	H	C1	Ø mm	M		
Xiro SPI6.10-08-A1/ XI6-4,0-B1	753	576	1329	-	132	142	55	V+H 1)
Xiro SPI6.10-09-A1/ XI6-4,0-B1	814	576	1390	-	132	142	57	V+H 1)
Xiro SPI6.10-10-A1/ XI6-4,0-B1	874	576	1450	-	132	142	58	V+H 1)
Xiro SPI6.10-11-A1/ XI6-4,0-B1	935	576	1511	-	132	142	60	V+H 1)
Xiro SPI6.10-12-A1/ XI6-5,5-B1	995	605	1600	-	132	142	65	V+H 1)
Xiro SPI6.10-13-A1/ XI6-5,5-B1	1056	605	1661	-	132	142	67	V+H 1)
Xiro SPI6.10-14-A1/ XI6-5,5-B1	1116	605	1721	-	132	142	68	V+H 1)
Xiro SPI6.10-15-A1/ XI6-5,5-B1	1177	605	1782	-	132	142	70	V+H 1)
Xiro SPI6.10-16-A1/ XI6-7,5-B1	1237	685	1922	-	132	142	77	V+H 1)

Pump with non-return valve, ¹⁾ On request, ³⁾ Max. Ø for power cable configuration in accordance with I_N

Pump curve

Xiro SPI 6.10



3~400 V, 50 Hz, $\rho = 1 \text{ kg/dm}^3$, $\nu = 1 \times 10^{-6} \text{ m}^2/\text{s}$, ISO 9906 Annex A

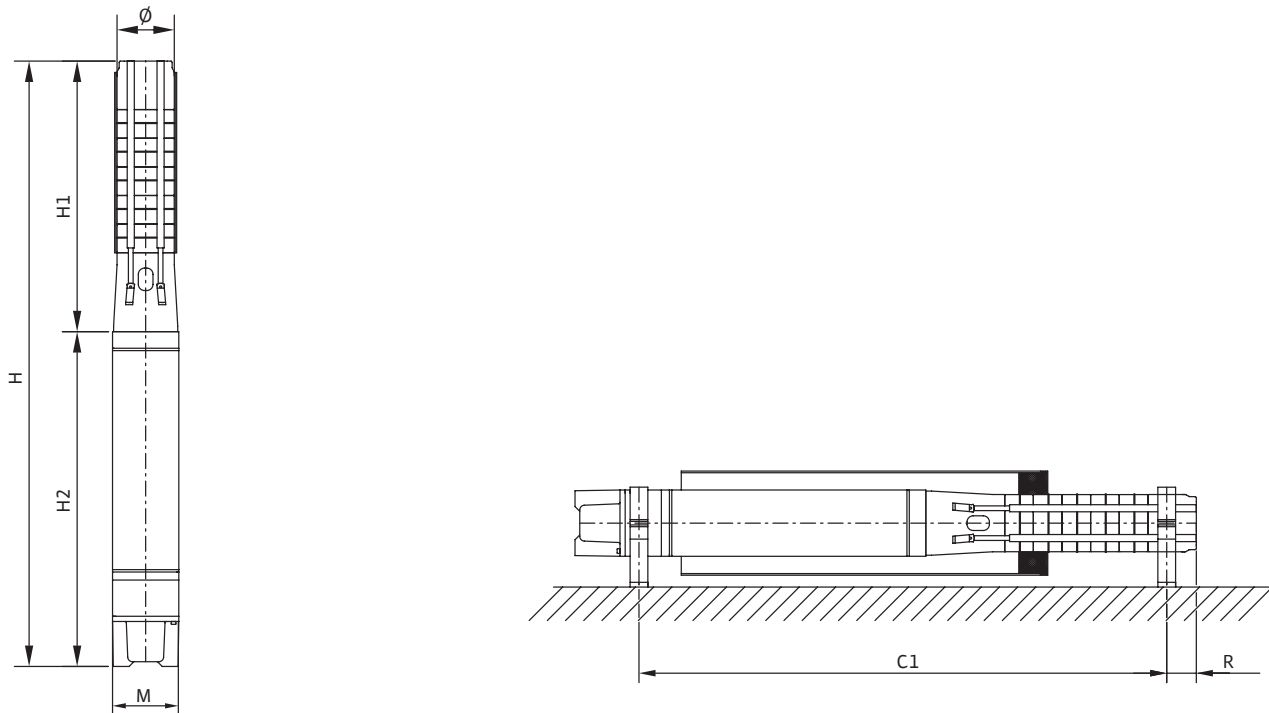
Subject to change without prior notice – Version dated June 2020.

Motor data						
	Motor diameter	Mains connection	Rated power	Rated current	Connection cable length	Cable cross-section
	DM in		P_2 kW	I_N A	D m	mm ²
Xiro SPI6.10-17-A1/ XI6-7,5-B1	6	3~400 V, 50 Hz	7.5	16.5	4.3	3x2,5
Xiro SPI6.10-18-A1/ XI6-7,5-B1	6	3~400 V, 50 Hz	7.5	16.5	4.3	3x2,5
Xiro SPI6.10-19-A1/ XI6-7,5-B1	6	3~400 V, 50 Hz	7.5	16.5	4.3	3x2,5
Xiro SPI6.10-20-A1/ XI6-7,5-B1	6	3~400 V, 50 Hz	7.5	16.5	4.3	3x2,5
Xiro SPI6.10-21-A1/ XI6-7,5-B1	6	3~400 V, 50 Hz	7.5	16.5	4.3	3x2,5
Xiro SPI6.10-22-A1/ XI6-9,3-B1	6	3~400 V, 50 Hz	9.3	20.2	4.3	3x2,5
Xiro SPI6.10-23-A1/ XI6-9,3-B1	6	3~400 V, 50 Hz	9.3	20.2	4.3	3x2,5
Xiro SPI6.10-24-A1/ XI6-9,3-B1	6	3~400 V, 50 Hz	9.3	20.2	4.3	3x2,5
Xiro SPI6.10-25-A1/ XI6-9,3-B1	6	3~400 V, 50 Hz	9.3	20.2	4.3	3x2,5

Information for order placements				
	Name	Art. no.	Item no. for jacket pipe cooling (vertical)	Item no. for jacket pipe cooling (horizontal)
Xiro SPI6.10-17-A1/ XI6-7,5-B1	XI6-WR-7,5-400-3-50-DOL-B1	6073414	-	-
Xiro SPI6.10-18-A1/ XI6-7,5-B1	XI6-WR-7,5-400-3-50-DOL-B1	6073415	-	-
Xiro SPI6.10-19-A1/ XI6-7,5-B1	XI6-WR-7,5-400-3-50-DOL-B1	6073416	-	-
Xiro SPI6.10-20-A1/ XI6-7,5-B1	XI6-WR-7,5-400-3-50-DOL-B1	6073417	-	-
Xiro SPI6.10-21-A1/ XI6-7,5-B1	XI6-WR-7,5-400-3-50-DOL-B1	6073418	-	-
Xiro SPI6.10-22-A1/ XI6-9,3-B1	XI6-WR-9,3-400-3-50-DOL-B1	6073419	-	-
Xiro SPI6.10-23-A1/ XI6-9,3-B1	XI6-WR-9,3-400-3-50-DOL-B1	6073420	-	-
Xiro SPI6.10-24-A1/ XI6-9,3-B1	XI6-WR-9,3-400-3-50-DOL-B1	6073421	-	-
Xiro SPI6.10-25-A1/ XI6-9,3-B1	XI6-WR-9,3-400-3-50-DOL-B1	6073422	-	-

Dimension drawing (variable)

Wilo-Xiro SPI



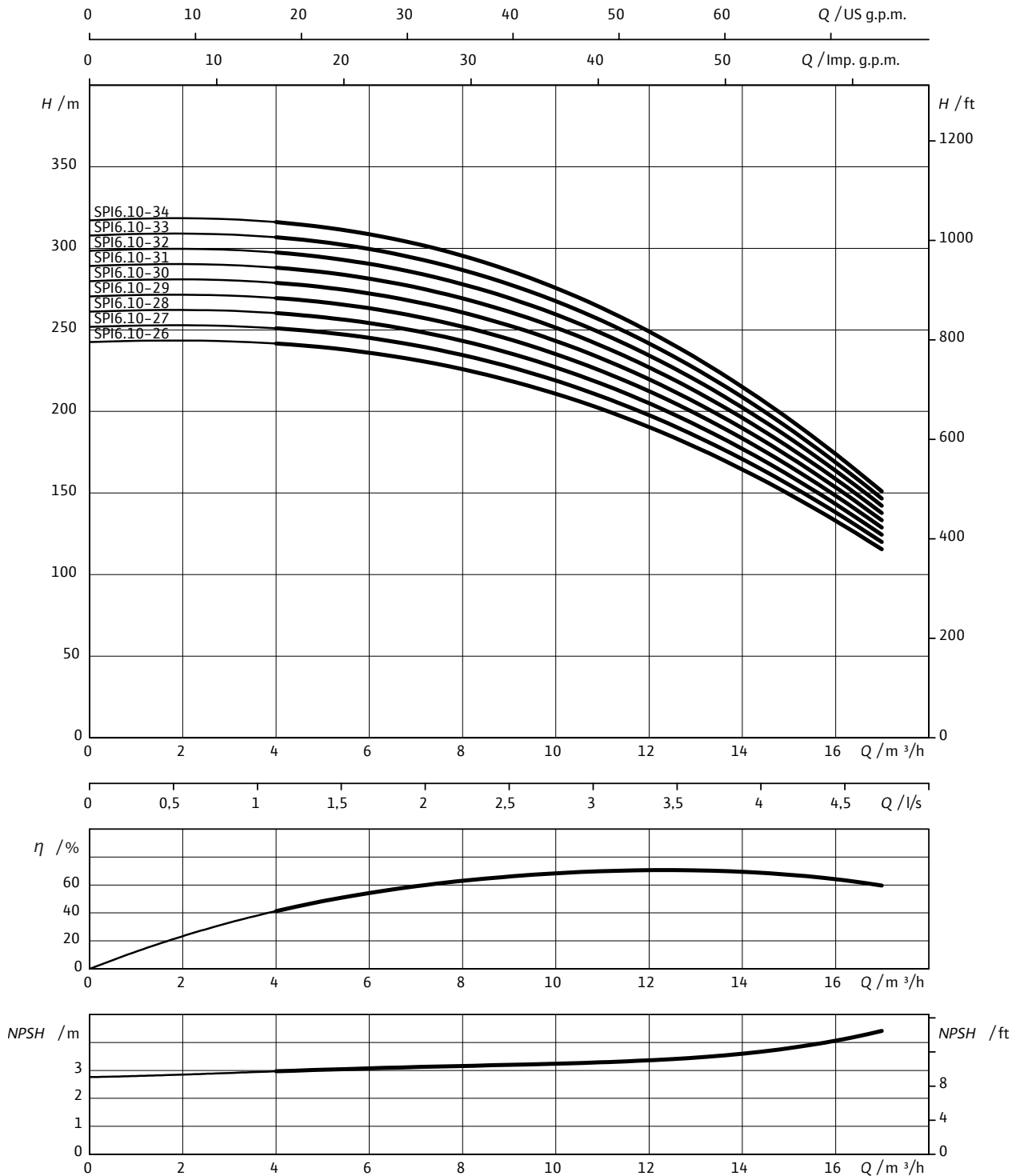
Dimensions, weights

Type	Dimensions						Net weight, approx. m kg	Installation approx.
	H1	H2 mm	H	C1	ϕ mm	M		
Xiro SPI6.10-17-A1/ X16-7,5-B1	1298	685	1938	-	132	142	78	V+H 1)
Xiro SPI6.10-18-A1/ X16-7,5-B1	1358	685	2043	-	132	142	80	V+H 1)
Xiro SPI6.10-19-A1/ X16-7,5-B1	1419	685	2104	-	132	142	81	V+H 1)
Xiro SPI6.10-20-A1/ X16-7,5-B1	1479	685	2164	-	132	142	83	V+H 1)
Xiro SPI6.10-21-A1/ X16-7,5-B1	1540	685	2225	-	132	142	84	V+H 1)
Xiro SPI6.10-22-A1/ X16-9,3-B1	1600	727	2327	-	132	142	91	V+H 1)
Xiro SPI6.10-23-A1/ X16-9,3-B1	1661	727	2388	-	132	142	92	V+H 1)
Xiro SPI6.10-24-A1/ X16-9,3-B1	1721	727	2448	-	132	142	94	V+H 1)
Xiro SPI6.10-25-A1/ X16-9,3-B1	1782	727	2509	-	132	142	95	V+H 1)

Pump with non-return valve, ¹⁾ On request, ³⁾ Max. ϕ for power cable configuration in accordance with I_N

Pump curve

Xiro SPI 6.10



3~400 V, 50 Hz, $\rho = 1 \text{ kg/dm}^3$, $\nu = 1 \times 10^{-6} \text{ m}^2/\text{s}$, ISO 9906 Annex A

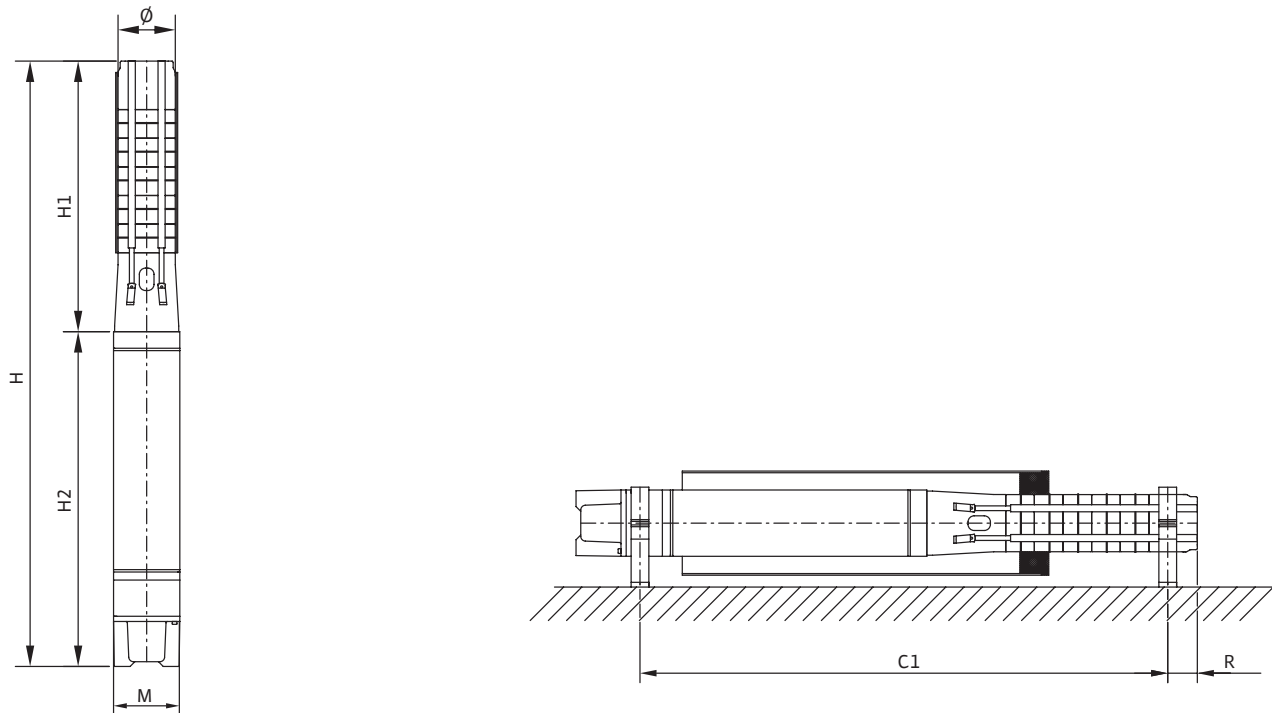
Subject to change without prior notice – Version dated June 2020.

Motor data						
	Motor diameter	Mains connection	Rated power	Rated current	Connection cable length	Cable cross-section
	DM in		P_2 kW	I_N A	D m	mm ²
Xiro SPI6.10-26-A1/ XI6-9,3-B1	6	3~400 V, 50 Hz	9.3	20.2	4.3	3x2,5
Xiro SPI6.10-27-A1/ XI6-11-B1	6	3~400 V, 50 Hz	11	22.8	4.3	3x4
Xiro SPI6.10-28-A1/ XI6-11-B1	6	3~400 V, 50 Hz	11	22.8	4.3	3x4
Xiro SPI6.10-29-A1/ XI6-11-B1	6	3~400 V, 50 Hz	11	22.8	4.3	3x4
Xiro SPI6.10-30-A1/ XI6-11-B1	6	3~400 V, 50 Hz	11	22.8	4.3	3x4
Xiro SPI6.10-31-A1/ XI6-13-B1	6	3~400 V, 50 Hz	13	27.6	4.3	3x4
Xiro SPI6.10-32-A1/ XI6-13-B1	6	3~400 V, 50 Hz	13	27.6	4.3	3x4
Xiro SPI6.10-33-A1/ XI6-13-B1	6	3~400 V, 50 Hz	13	27.6	4.3	3x4
Xiro SPI6.10-34-A1/ XI6-13-B1	6	3~400 V, 50 Hz	13	27.6	4.3	3x4

Information for order placements				
	Name	Art. no.	Item no. for jacket pipe cooling (vertical)	Item no. for jacket pipe cooling (horizontal)
Xiro SPI6.10-26-A1/ XI6-9,3-B1	XI6-WR-9,3-400-3-50-DOL-B1	6073423	-	-
Xiro SPI6.10-27-A1/ XI6-11-B1	XI6-WR-11-400-3-50-DOL-B1	6073424	-	-
Xiro SPI6.10-28-A1/ XI6-11-B1	XI6-WR-11-400-3-50-DOL-B1	6073425	-	-
Xiro SPI6.10-29-A1/ XI6-11-B1	XI6-WR-11-400-3-50-DOL-B1	6073426	-	-
Xiro SPI6.10-30-A1/ XI6-11-B1	XI6-WR-11-400-3-50-DOL-B1	6073427	-	-
Xiro SPI6.10-31-A1/ XI6-13-B1	XI6-WR-13-400-3-50-DOL-B1	6073428	-	-
Xiro SPI6.10-32-A1/ XI6-13-B1	XI6-WR-13-400-3-50-DOL-B1	6073429	-	-
Xiro SPI6.10-33-A1/ XI6-13-B1	XI6-WR-13-400-3-50-DOL-B1	6073430	-	-
Xiro SPI6.10-34-A1/ XI6-13-B1	XI6-WR-13-400-3-50-DOL-B1	6073431	-	-

Dimension drawing (variable)

Wilo-Xiro SPI



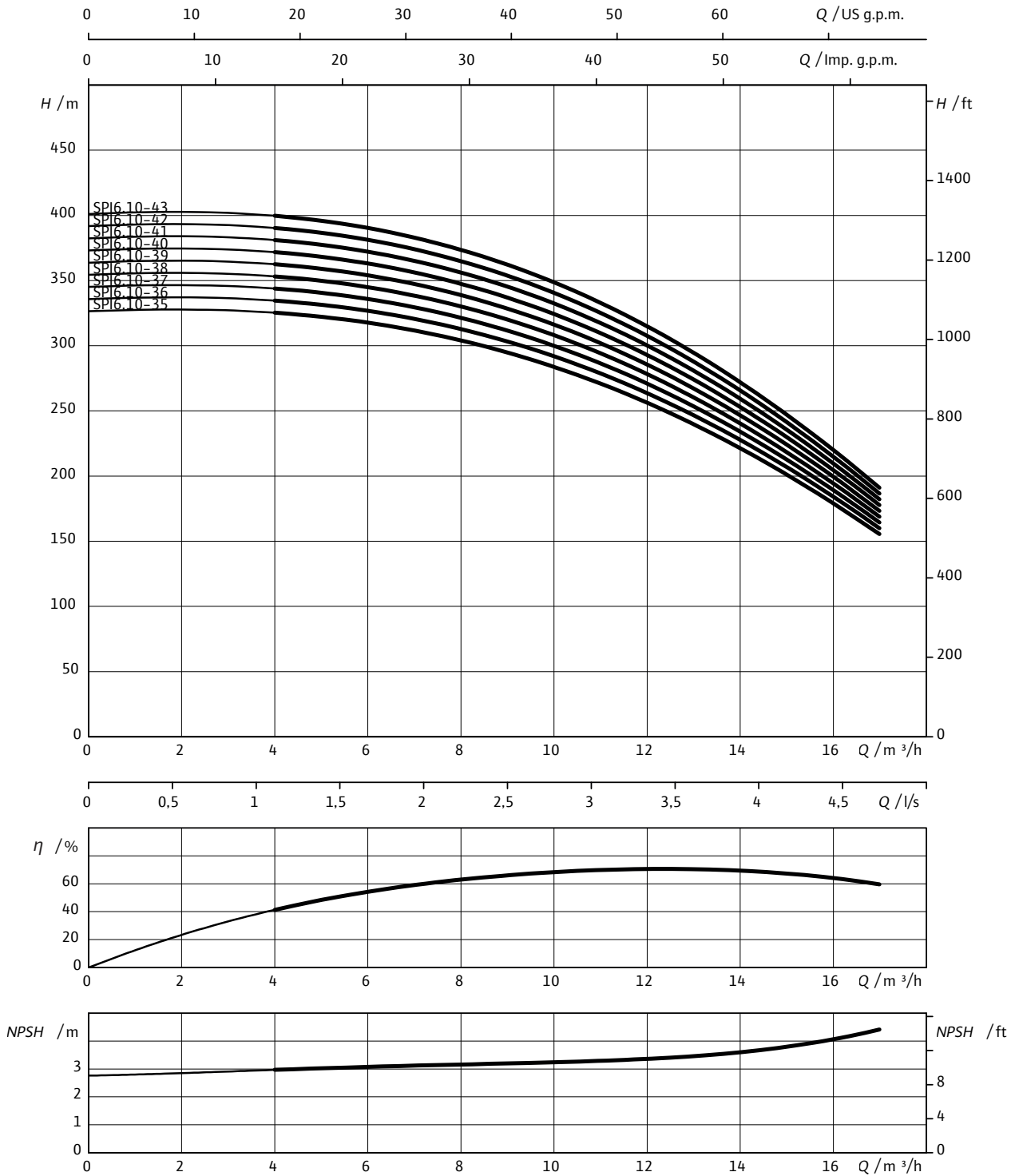
Dimensions, weights

Type	Dimensions						Net weight, approx. m kg	Installation approx. V+H 1)
	H1	H2 mm	H	C1	Ø mm	M		
Xiro SPI6.10-26-A1/ XI6-9,3-B1	1842	727	2569	-	132	142	96	V+H 1)
Xiro SPI6.10-27-A1/ XI6-11-B1	1903	778	2681	-	132	142	103	V+H 1)
Xiro SPI6.10-28-A1/ XI6-11-B1	1963	778	2741	-	132	142	104	V+H 1)
Xiro SPI6.10-29-A1/ XI6-11-B1	2024	778	2802	-	132	142	106	V+H 1)
Xiro SPI6.10-30-A1/ XI6-11-B1	2084	778	2862	-	132	142	107	V+H 1)
Xiro SPI6.10-31-A1/ XI6-13-B1	2145	838	2983	-	132	142	114	V+H 1)
Xiro SPI6.10-32-A1/ XI6-13-B1	2205	838	3043	-	132	142	115	V+H 1)
Xiro SPI6.10-33-A1/ XI6-13-B1	2266	838	3104	-	132	142	117	V+H 1)
Xiro SPI6.10-34-A1/ XI6-13-B1	2326	838	3164	-	132	142	118	V+H 1)

Pump with non-return valve, ¹⁾ On request, ³⁾ Max. Ø for power cable configuration in accordance with I_N

Pump curve

Xiro SPI 6.10



3~400 V, 50 Hz, $\rho = 1 \text{ kg/dm}^3$, $\nu = 1 \times 10^{-6} \text{ m}^2/\text{s}$, ISO 9906 Annex A

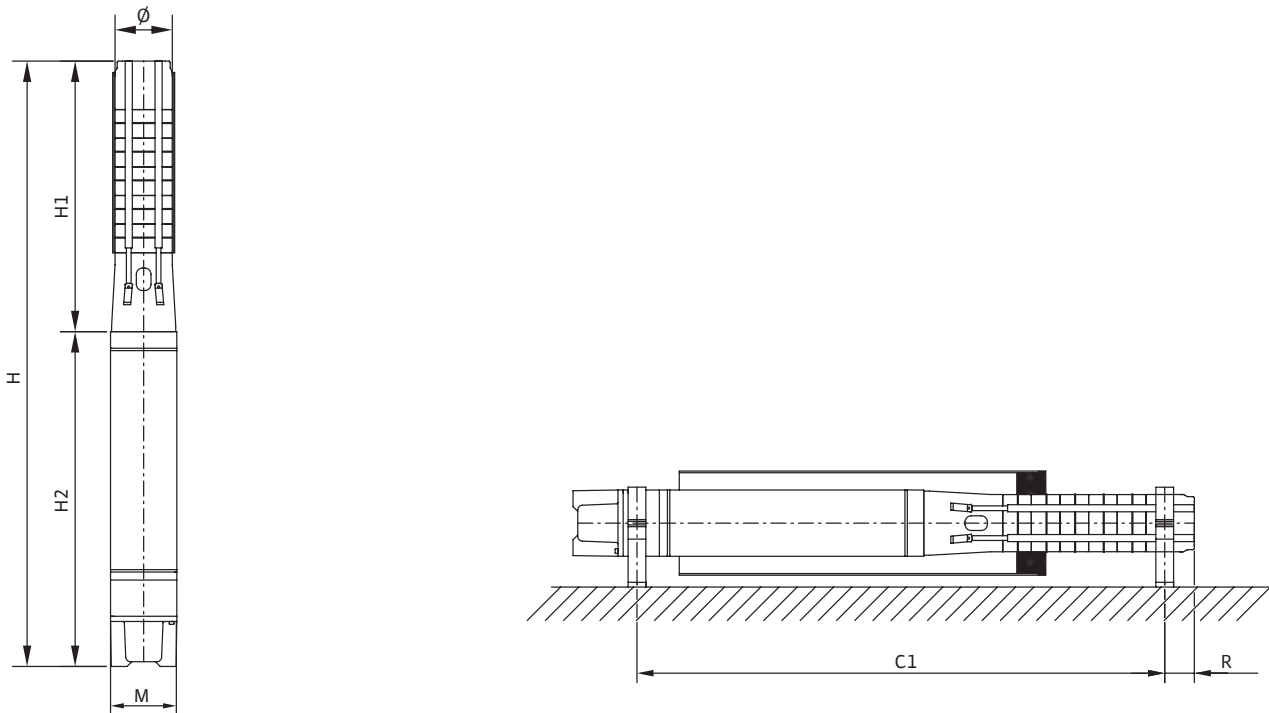
Subject to change without prior notice – Version dated June 2020.

Motor data						
	Motor diameter	Mains connection	Rated power	Rated current	Connection cable length	Cable cross-section
	DM in		P_2 kW	I_N A	D m	mm ²
Xiro SPI6.10-35-A1/ XI6-13-B1	6	3~400 V, 50 Hz	13	27.6	4.3	3x4
Xiro SPI6.10-36-A1/ XI6-13-B1	6	3~400 V, 50 Hz	13	27.6	4.3	3x4
Xiro SPI6.10-37-A1/ XI6-13-B1	6	3~400 V, 50 Hz	13	27.6	4.3	3x4
Xiro SPI6.10-38-A1/ XI6-15-B1	6	3~400 V, 50 Hz	15	32.2	4.3	3x4
Xiro SPI6.10-39-A1/ XI6-15-B1	6	3~400 V, 50 Hz	15	32.2	4.3	3x4
Xiro SPI6.10-40-A1/ XI6-15-B1	6	3~400 V, 50 Hz	15	32.2	4.3	3x4
Xiro SPI6.10-41-A1/ XI6-15-B1	6	3~400 V, 50 Hz	15	32.2	4.3	3x4
Xiro SPI6.10-42-A1/ XI6-18,5-B1	6	3~400 V, 50 Hz	18.5	40.2	4.3	3x4
Xiro SPI6.10-43-A1/ XI6-18,5-B1	6	3~400 V, 50 Hz	18.5	40.2	4.3	3x4

Information for order placements				
	Name	Art. no.	Item no. for jacket pipe cooling (vertical)	Item no. for jacket pipe cooling (horizontal)
Xiro SPI6.10-35-A1/ XI6-13-B1	XI6-WR-13-400-3-50-DOL-B1	6073432	-	-
Xiro SPI6.10-36-A1/ XI6-13-B1	XI6-WR-13-400-3-50-DOL-B1	6073433	-	-
Xiro SPI6.10-37-A1/ XI6-13-B1	XI6-WR-13-400-3-50-DOL-B1	6073434	-	-
Xiro SPI6.10-38-A1/ XI6-15-B1	XI6-WR-15-400-3-50-DOL-B1	6073435	-	-
Xiro SPI6.10-39-A1/ XI6-15-B1	XI6-WR-15-400-3-50-DOL-B1	6073436	-	-
Xiro SPI6.10-40-A1/ XI6-15-B1	XI6-WR-15-400-3-50-DOL-B1	6073437	-	-
Xiro SPI6.10-41-A1/ XI6-15-B1	XI6-WR-15-400-3-50-DOL-B1	6073438	-	-
Xiro SPI6.10-42-A1/ XI6-18,5-B1	XI6-WR-18,5-400-3-50-DOL-B1	6073439	-	-
Xiro SPI6.10-43-A1/ XI6-18,5-B1	XI6-WR-18,5-400-3-50-DOL-B1	6073440	-	-

Dimension drawing (variable)

Wilo-Xiro SPI



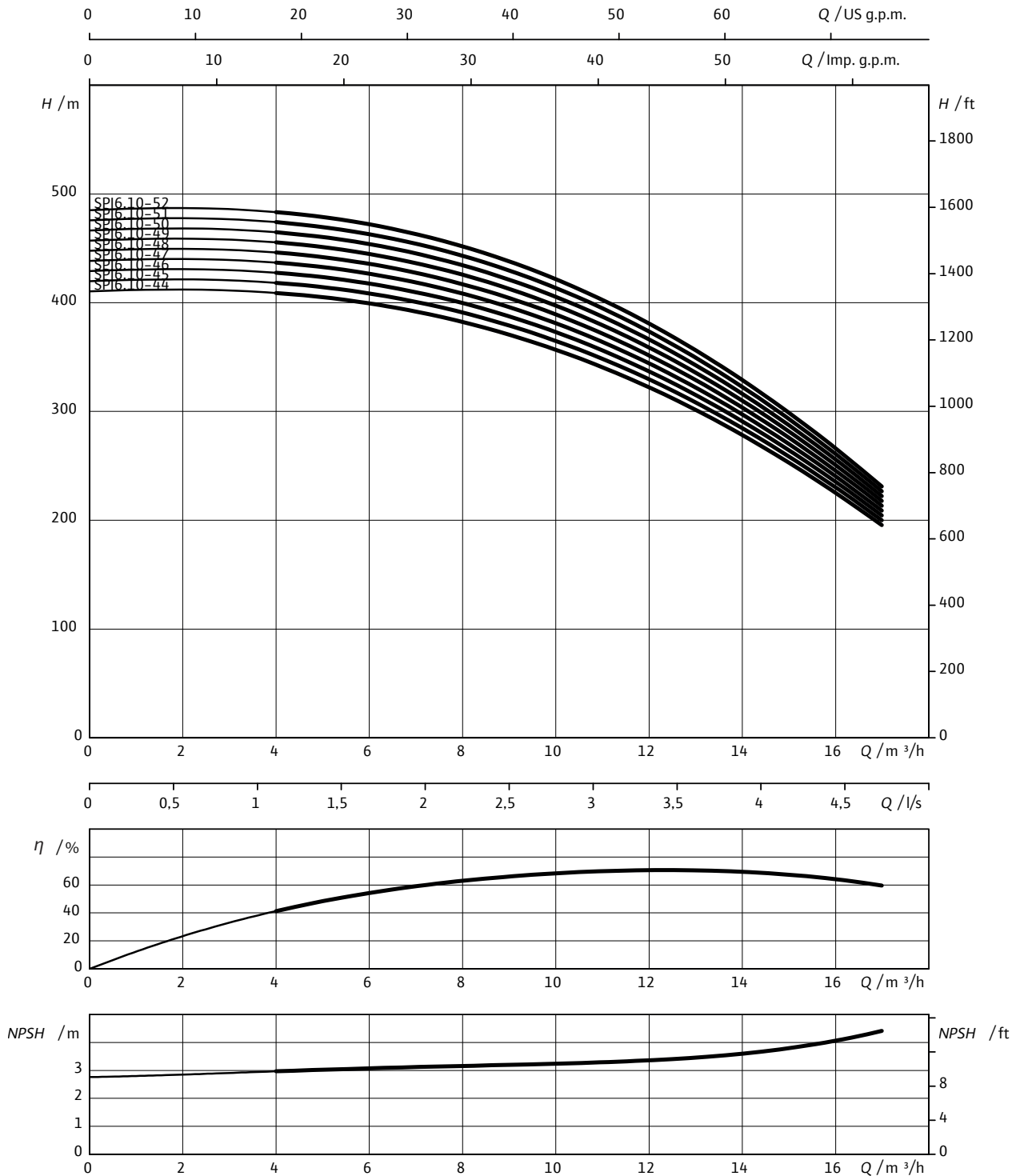
Dimensions, weights

Type	Dimensions						Net weight, approx. m kg	Installation approx.
	H1	H2 mm	H	C1	ϕ mm	M		
Xiro SPI6.10-35-A1/ XI6-13-B1	2387	838	3225	-	132	142	119	V+H 1)
Xiro SPI6.10-36-A1/ XI6-13-B1	2447	838	3285	-	132	142	121	V+H 1)
Xiro SPI6.10-37-A1/ XI6-13-B1	2508	838	3346	-	132	142	122	V+H 1)
Xiro SPI6.10-38-A1/ XI6-15-B1	2568	900	3468	-	132	142	131	V+H 1)
Xiro SPI6.10-39-A1/ XI6-15-B1	2879	900	3779	-	167	142	163	V
Xiro SPI6.10-40-A1/ XI6-15-B1	2939	900	3839	-	167	142	164	V
Xiro SPI6.10-41-A1/ XI6-15-B1	3000	900	3900	-	167	142	166	V
Xiro SPI6.10-42-A1/ XI6-18,5-B1	3060	933	3993	-	167	142	172	V
Xiro SPI6.10-43-A1/ XI6-18,5-B1	3121	933	4054	-	167	142	174	V

Pump with non-return valve, ¹⁾ On request, ³⁾ Max. ϕ for power cable configuration in accordance with I_N

Pump curve

Xiro SPI 6.10



3~400 V, 50 Hz, $\rho = 1 \text{ kg/dm}^3$, $\nu = 1 \times 10^{-6} \text{ m}^2/\text{s}$, ISO 9906 Annex A

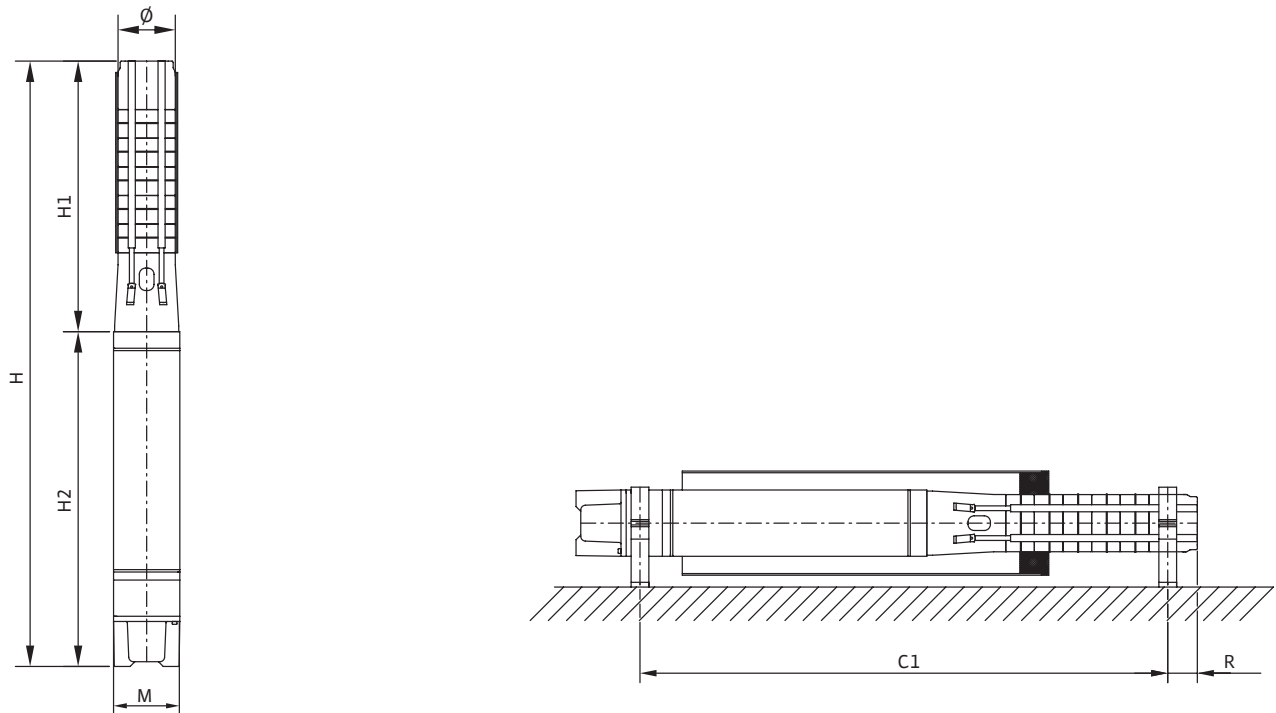
Subject to change without prior notice – Version dated June 2020.

Motor data						
	Motor diameter	Mains connection	Rated power	Rated current	Connection cable length	Cable cross-section
	DM in		P_2 kW	I_N A	D m	mm ²
Xiro SPI6.10-44-A1/ XI6-18,5-B1	6	3~400 V, 50 Hz	18.5	40.2	4.3	3x4
Xiro SPI6.10-45-A1/ XI6-18,5-B1	6	3~400 V, 50 Hz	18.5	40.2	4.3	3x4
Xiro SPI6.10-46-A1/ XI6-18,5-B1	6	3~400 V, 50 Hz	18.5	40.2	4.3	3x4
Xiro SPI6.10-47-A1/ XI6-18,5-B1	6	3~400 V, 50 Hz	18.5	40.2	4.3	3x4
Xiro SPI6.10-48-A1/ XI6-18,5-B1	6	3~400 V, 50 Hz	18.5	40.2	4.3	3x4
Xiro SPI6.10-49-A1/ XI6-18,5-B1	6	3~400 V, 50 Hz	18.5	40.2	4.3	3x4
Xiro SPI6.10-50-A1/ XI6-22-B1	6	3~400 V, 50 Hz	22	46.7	4.3	3x6
Xiro SPI6.10-51-A1/ XI6-22-B1	6	3~400 V, 50 Hz	22	46.7	4.3	3x6
Xiro SPI6.10-52-A1/ XI6-22-B1	6	3~400 V, 50 Hz	22	46.7	4.3	3x6

Information for order placements				
	Name	Art. no.	Item no. for jacket pipe cooling (vertical)	Item no. for jacket pipe cooling (horizontal)
Xiro SPI6.10-44-A1/ XI6-18,5-B1	XI6-WR-18,5-400-3-50-DOL-B1	6073441	-	-
Xiro SPI6.10-45-A1/ XI6-18,5-B1	XI6-WR-18,5-400-3-50-DOL-B1	6073442	-	-
Xiro SPI6.10-46-A1/ XI6-18,5-B1	XI6-WR-18,5-400-3-50-DOL-B1	6073443	-	-
Xiro SPI6.10-47-A1/ XI6-18,5-B1	XI6-WR-18,5-400-3-50-DOL-B1	6073444	-	-
Xiro SPI6.10-48-A1/ XI6-18,5-B1	XI6-WR-18,5-400-3-50-DOL-B1	6073445	-	-
Xiro SPI6.10-49-A1/ XI6-18,5-B1	XI6-WR-18,5-400-3-50-DOL-B1	6073446	-	-
Xiro SPI6.10-50-A1/ XI6-22-B1	XI6-WR-22-400-3-50-DOL-B1	6073447	-	-
Xiro SPI6.10-51-A1/ XI6-22-B1	XI6-WR-22-400-3-50-DOL-B1	6073448	-	-
Xiro SPI6.10-52-A1/ XI6-22-B1	XI6-WR-22-400-3-50-DOL-B1	6073449	-	-

Dimension drawing (variable)

Wilo-Xiro SPI



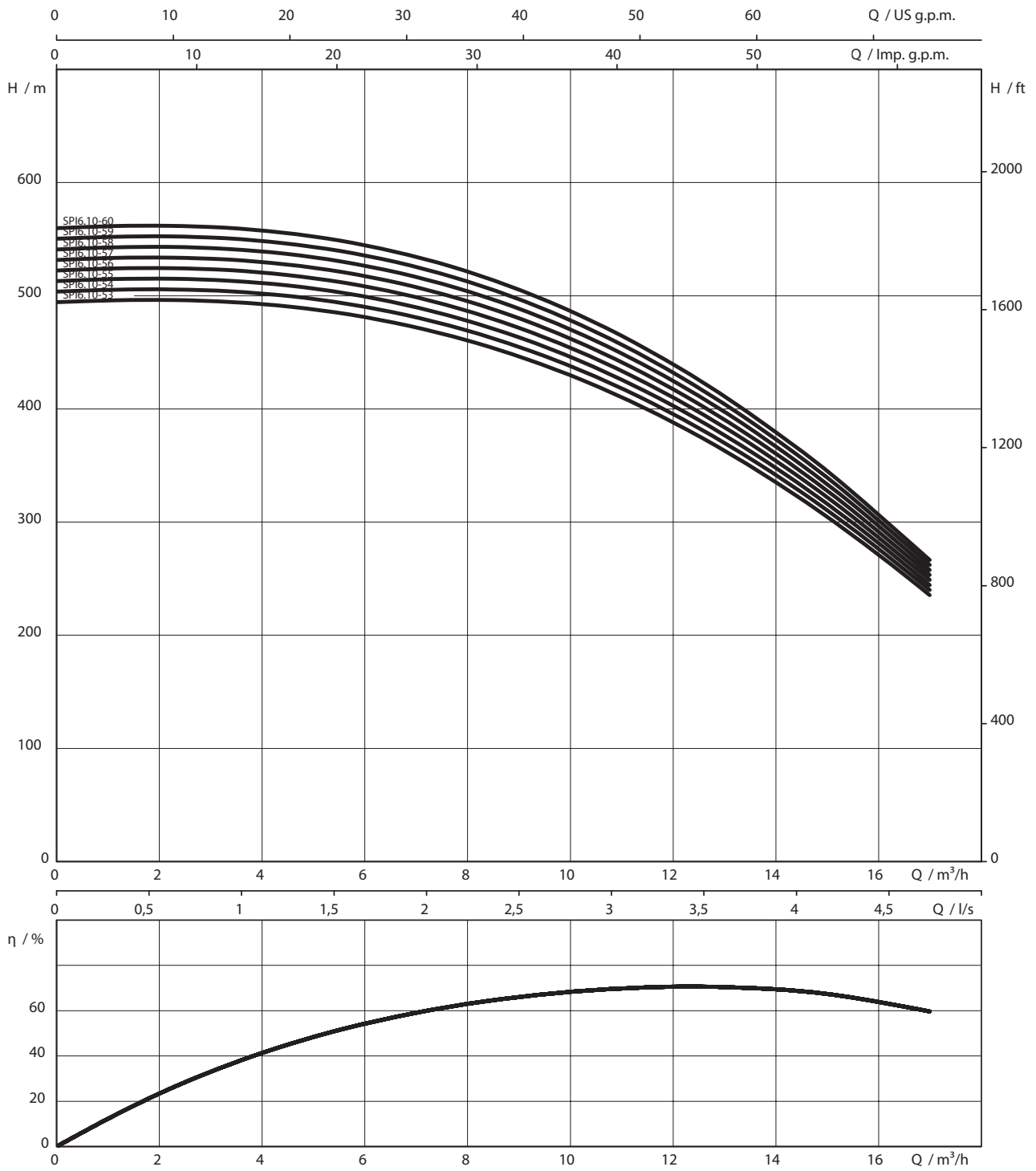
Dimensions, weights

Type	Dimensions						Net weight, approx. m kg	Installation approx.
	H1	H2 mm	H	C1	Ø mm	M		
Xiro SPI6.10-44-A1/ XI6-18,5-B1	3181	933	4114	-	167	142	176	V
Xiro SPI6.10-45-A1/ XI6-18,5-B1	3242	933	4175	-	167	142	177	V
Xiro SPI6.10-46-A1/ XI6-18,5-B1	3302	933	4235	-	167	142	179	V
Xiro SPI6.10-47-A1/ XI6-18,5-B1	3363	933	4296	-	167	142	181	V
Xiro SPI6.10-48-A1/ XI6-18,5-B1	3423	933	4356	-	167	142	183	V
Xiro SPI6.10-49-A1/ XI6-18,5-B1	3484	933	4417	-	167	142	184	V
Xiro SPI6.10-50-A1/ XI6-22-B1	3544	1033	4577	-	167	142	197	V
Xiro SPI6.10-51-A1/ XI6-22-B1	3605	1033	4638	-	167	142	199	V
Xiro SPI6.10-52-A1/ XI6-22-B1	3665	1033	4698	-	167	142	201	V

Pump with non-return valve, ¹⁾ On request, ³⁾ Max. Ø for power cable configuration in accordance with I_N

Pump curve

Xiro SPI 6.10



3~400 V, 50 Hz, $\rho = 1 \text{ kg/dm}^3$, $\nu = 1 \times 10^{-6} \text{ m}^2/\text{s}$, ISO 9906 Annex A

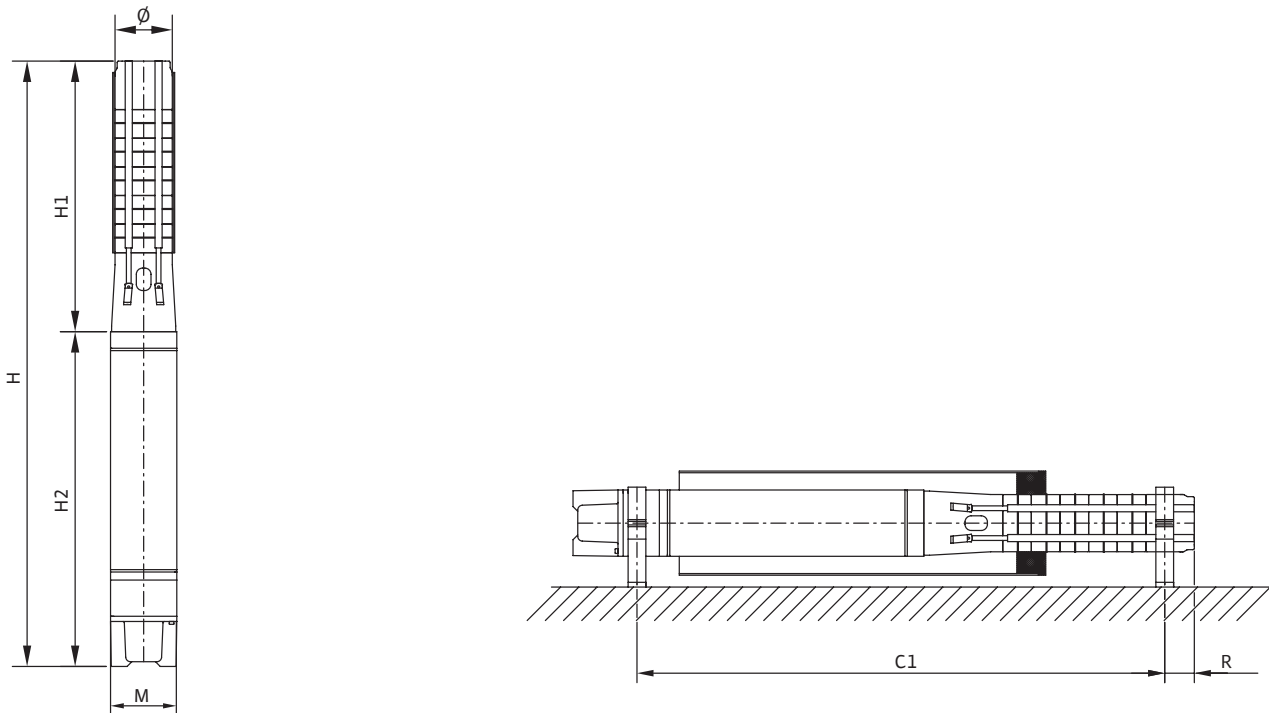
Subject to change without prior notice – Version dated June 2020.

Motor data						
	Motor diameter	Mains connection	Rated power	Rated current	Connection cable length	Cable cross-section
	DM in		P_2 kW	I_N A	D m	mm ²
Xiro SPI6.10-53-A1/ XI6-22-B1	6	3~400 V, 50 Hz	22	46.7	4.3	3x6
Xiro SPI6.10-54-A1/ XI6-22-B1	6	3~400 V, 50 Hz	22	46.7	4.3	3x6
Xiro SPI6.10-55-A1/ XI6-22-B1	6	3~400 V, 50 Hz	22	46.7	4.3	3x6
Xiro SPI6.10-56-A1/ XI6-22-B1	6	3~400 V, 50 Hz	22	46.7	4.3	3x6
Xiro SPI6.10-57-A1/ XI6-22-B1	6	3~400 V, 50 Hz	22	46.7	4.3	3x6
Xiro SPI6.10-58-A1/ XI6-22-B1	6	3~400 V, 50 Hz	22	46.7	4.3	3x6
Xiro SPI6.10-59-A1/ XI6-22-B1	6	3~400 V, 50 Hz	22	46.7	4.3	3x6
Xiro SPI6.10-60-A1/ XI6-22-B1	6	3~400 V, 50 Hz	22	46.7	4.3	3x6

Information for order placements				
	Name	Art. no.	Item no. for jacket pipe cooling (vertical)	Item no. for jacket pipe cooling (horizontal)
Xiro SPI6.10-53-A1/ XI6-22-B1	XI6-WR-22-400-3-50-DOL-B1	6073450	-	-
Xiro SPI6.10-54-A1/ XI6-22-B1	XI6-WR-22-400-3-50-DOL-B1	6073451	-	-
Xiro SPI6.10-55-A1/ XI6-22-B1	XI6-WR-22-400-3-50-DOL-B1	6073452	-	-
Xiro SPI6.10-56-A1/ XI6-22-B1	XI6-WR-22-400-3-50-DOL-B1	6073453	-	-
Xiro SPI6.10-57-A1/ XI6-22-B1	XI6-WR-22-400-3-50-DOL-B1	6073454	-	-
Xiro SPI6.10-58-A1/ XI6-22-B1	XI6-WR-22-400-3-50-DOL-B1	6073455	-	-
Xiro SPI6.10-59-A1/ XI6-22-B1	XI6-WR-22-400-3-50-DOL-B1	6073456	-	-
Xiro SPI6.10-60-A1/ XI6-22-B1	XI6-WR-22-400-3-50-DOL-B1	6073457	-	-

Dimension drawing (variable)

Wilo-Xiro SPI



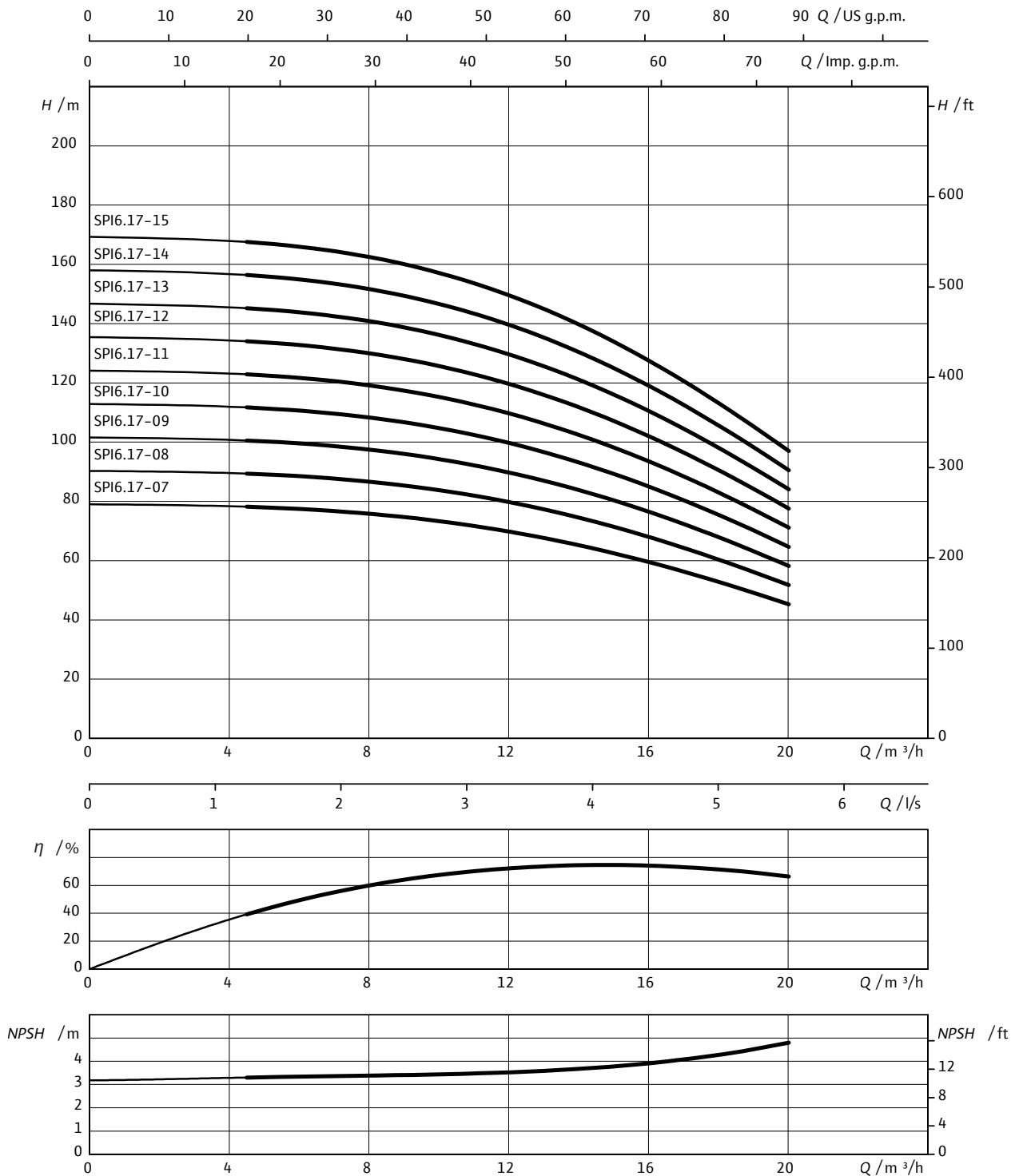
Dimensions, weights

Type	Dimensions						Net weight, approx. m kg	Installation approx.
	H1	H2 mm	H	C1	ϕ mm	M		
Xiro SPI6.10-53-A1/ X16-22-B1	3726	1033	4759	-	167	142	203	V
Xiro SPI6.10-54-A1/ X16-22-B1	3786	1033	4819	-	167	142	204	V
Xiro SPI6.10-55-A1/ X16-22-B1	3847	1033	4880	-	167	142	206	V
Xiro SPI6.10-56-A1/ X16-22-B1	3907	1033	4940	-	167	142	208	V
Xiro SPI6.10-57-A1/ X16-22-B1	3968	1033	5001	-	167	142	210	V
Xiro SPI6.10-58-A1/ X16-22-B1	4028	1033	5061	-	167	142	212	V
Xiro SPI6.10-59-A1/ X16-22-B1	4089	1033	5122	-	167	142	213	V
Xiro SPI6.10-60-A1/ X16-22-B1	4149	1033	5182	-	167	142	215	V

Pump with non-return valve, ³⁾ On request, ³⁾ Max. ϕ for power cable configuration in accordance with I_n

Pump curve

Xiro SPI 6.17



3~400 V, 50 Hz, $\rho = 1 \text{ kg/dm}^3$, $\nu = 1 \times 10^{-6} \text{ m}^2/\text{s}$, ISO 9906 Annex A

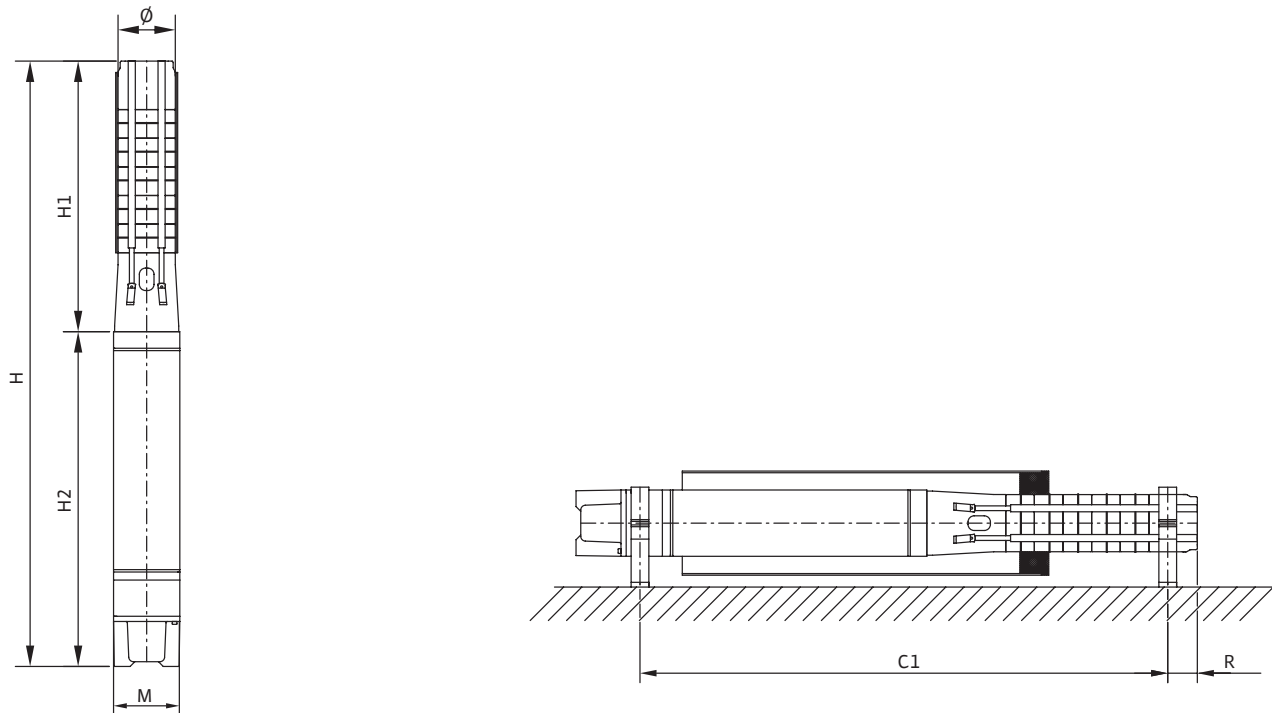
Subject to change without prior notice – Version dated June 2020.

Motor data						
	Motor diameter	Mains connection	Rated power	Rated current	Connection cable length	Cable cross-section
	DM in		P_2 kW	I_N A	D m	mm ²
Xiro SPI6.17-07-A1/ XI6-4,0-B1	6	3~400 V, 50 Hz	4	9.8	4.3	3x2,5
Xiro SPI6.17-08-A1/ XI6-5,5-B1	6	3~400 V, 50 Hz	5.5	12.8	4.3	3x2,5
Xiro SPI6.17-09-A1/ XI6-5,5-B1	6	3~400 V, 50 Hz	5.5	12.8	4.3	3x2,5
Xiro SPI6.17-10-A1/ XI6-5,5-B1	6	3~400 V, 50 Hz	5.5	12.8	4.3	3x2,5
Xiro SPI6.17-11-A1/ XI6-7,5-B1	6	3~400 V, 50 Hz	7.5	16.5	4.3	3x2,5
Xiro SPI6.17-12-A1/ XI6-7,5-B1	6	3~400 V, 50 Hz	7.5	16.5	4.3	3x2,5
Xiro SPI6.17-13-A1/ XI6-7,5-B1	6	3~400 V, 50 Hz	7.5	16.5	4.3	3x2,5
Xiro SPI6.17-14-A1/ XI6-7,5-B1	6	3~400 V, 50 Hz	7.5	16.5	4.3	3x2,5
Xiro SPI6.17-15-A1/ XI6-9,3-B1	6	3~400 V, 50 Hz	9.3	20.2	4.3	3x2,5

Information for order placements				
	Name	Art. no.	Item no. for jacket pipe cooling (vertical)	Item no. for jacket pipe cooling (horizontal)
Xiro SPI6.17-07-A1/ XI6-4,0-B1	XI6-WR-4,0-400-3-50-DOL-B1	6073460	-	-
Xiro SPI6.17-08-A1/ XI6-5,5-B1	XI6-WR-5,5-400-3-50-DOL-B1	6073461	-	-
Xiro SPI6.17-09-A1/ XI6-5,5-B1	XI6-WR-5,5-400-3-50-DOL-B1	6073462	-	-
Xiro SPI6.17-10-A1/ XI6-5,5-B1	XI6-WR-5,5-400-3-50-DOL-B1	6073463	-	-
Xiro SPI6.17-11-A1/ XI6-7,5-B1	XI6-WR-7,5-400-3-50-DOL-B1	6073464	-	-
Xiro SPI6.17-12-A1/ XI6-7,5-B1	XI6-WR-7,5-400-3-50-DOL-B1	6073465	-	-
Xiro SPI6.17-13-A1/ XI6-7,5-B1	XI6-WR-7,5-400-3-50-DOL-B1	6073466	-	-
Xiro SPI6.17-14-A1/ XI6-7,5-B1	XI6-WR-7,5-400-3-50-DOL-B1	6073467	-	-
Xiro SPI6.17-15-A1/ XI6-9,3-B1	XI6-WR-9,3-400-3-50-DOL-B1	6073468	-	-

Dimension drawing (variable)

Wilo-Xiro SPI



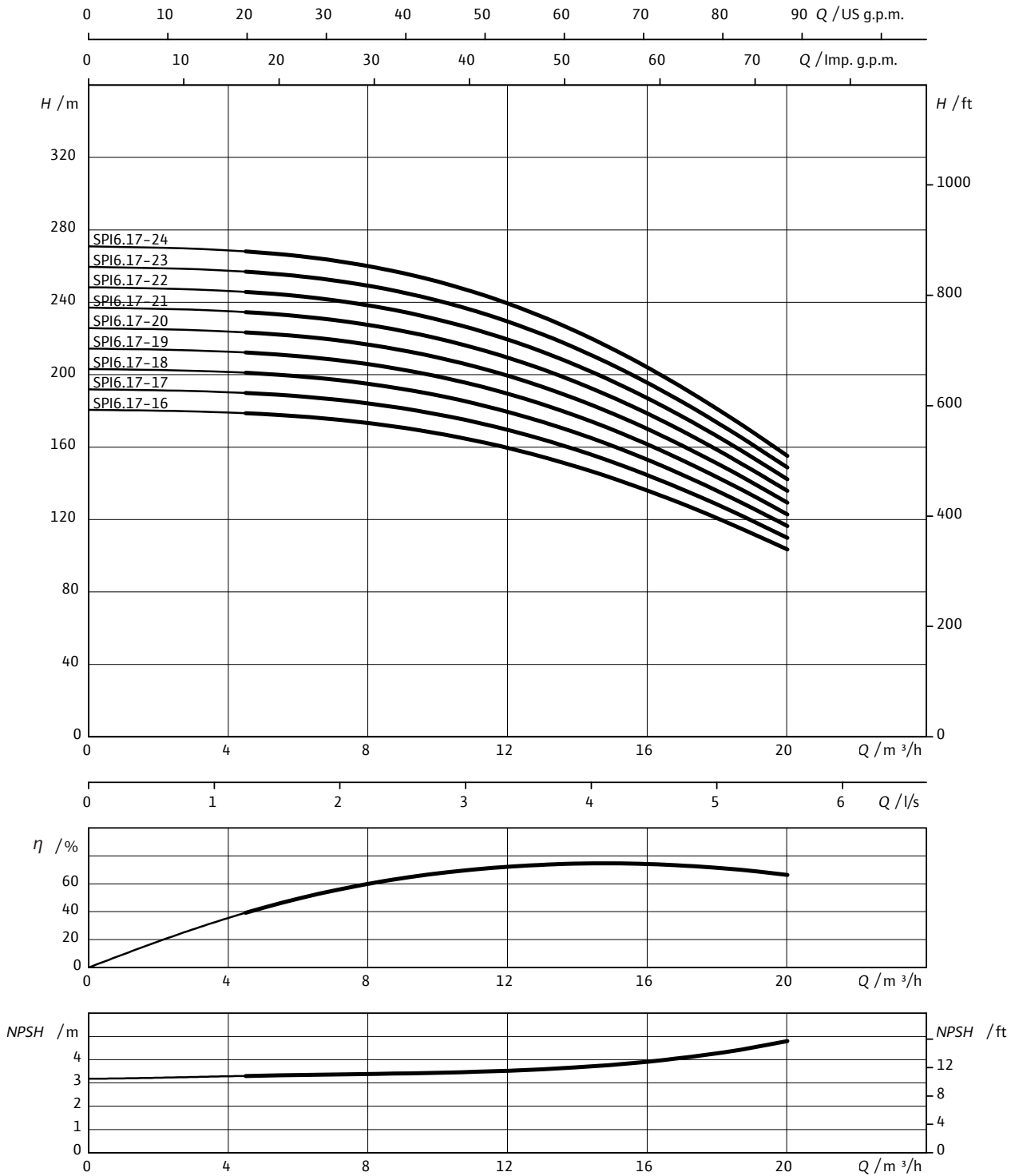
Dimensions, weights

Type	Dimensions						Net weight, approx. m kg	Installation approx.
	H1	H2 mm	H	C1	Ø mm	M		
Xiro SPI6.17-07-A1/ XI6-4,0-B1	693	576	1269	-	132	142	54	V+H 1)
Xiro SPI6.17-08-A1/ XI6-5,5-B1	753	605	1358	-	132	142	60	V+H 1)
Xiro SPI6.17-09-A1/ XI6-5,5-B1	814	605	1419	-	132	142	61	V+H 1)
Xiro SPI6.17-10-A1/ XI6-5,5-B1	874	605	1479	-	132	142	62	V+H 1)
Xiro SPI6.17-11-A1/ XI6-7,5-B1	935	685	1620	-	132	142	70	V+H 1)
Xiro SPI6.17-12-A1/ XI6-7,5-B1	995	685	1680	-	132	142	71	V+H 1)
Xiro SPI6.17-13-A1/ XI6-7,5-B1	1056	685	1741	-	132	142	73	V+H 1)
Xiro SPI6.17-14-A1/ XI6-7,5-B1	1116	685	1801	-	132	142	74	V+H 1)
Xiro SPI6.17-15-A1/ XI6-9,3-B1	1177	727	1904	-	132	142	81	V+H 1)

Pump with non-return valve, ¹⁾ On request, ³⁾ Max. Ø for power cable configuration in accordance with I_N

Pump curve

Xiro SPI 6.17



3~400 V, 50 Hz, $\rho = 1 \text{ kg/dm}^3$, $\nu = 1 \times 10^{-6} \text{ m}^2/\text{s}$, ISO 9906 Annex A

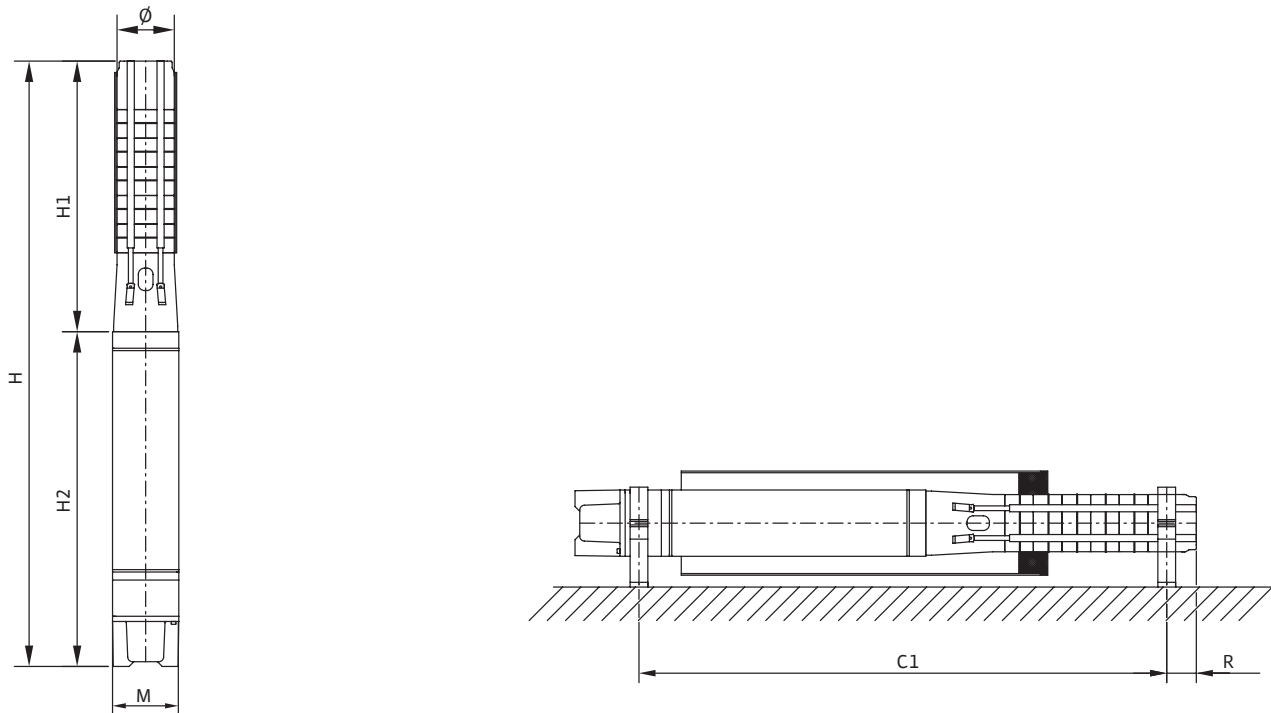
Subject to change without prior notice – Version dated June 2020.

Motor data						
	Motor diameter	Mains connection	Rated power	Rated current	Connection cable length	Cable cross-section
	DM in		P_2 kW	I_N A	D m	mm ²
Xiro SPI6.17-16-A1/ XI6-9,3-B1	6	3~400 V, 50 Hz	9.3	20.2	4.3	3x2,5
Xiro SPI6.17-17-A1/ XI6-9,3-B1	6	3~400 V, 50 Hz	9.3	20.2	4.3	3x2,5
Xiro SPI6.17-18-A1/ XI6-11-B1	6	3~400 V, 50 Hz	11	22.8	4.3	3x4
Xiro SPI6.17-19-A1/ XI6-11-B1	6	3~400 V, 50 Hz	11	22.8	4.3	3x4
Xiro SPI6.17-20-A1/ XI6-11-B1	6	3~400 V, 50 Hz	11	22.8	4.3	3x4
Xiro SPI6.17-21-A1/ XI6-13-B1	6	3~400 V, 50 Hz	13	27.6	4.3	3x4
Xiro SPI6.17-22-A1/ XI6-13-B1	6	3~400 V, 50 Hz	13	27.6	4.3	3x4
Xiro SPI6.17-23-A1/ XI6-13-B1	6	3~400 V, 50 Hz	13	27.6	4.3	3x4
Xiro SPI6.17-24-A1/ XI6-13-B1	6	3~400 V, 50 Hz	13	27.6	4.3	3x4

Information for order placements				
	Name	Art. no.	Item no. for jacket pipe cooling (vertical)	Item no. for jacket pipe cooling (horizontal)
Xiro SPI6.17-16-A1/ XI6-9,3-B1	XI6-WR-9,3-400-3-50-DOL-B1	6073469	-	-
Xiro SPI6.17-17-A1/ XI6-9,3-B1	XI6-WR-9,3-400-3-50-DOL-B1	6073470	-	-
Xiro SPI6.17-18-A1/ XI6-11-B1	XI6-WR-11-400-3-50-DOL-B1	6073471	-	-
Xiro SPI6.17-19-A1/ XI6-11-B1	XI6-WR-11-400-3-50-DOL-B1	6073472	-	-
Xiro SPI6.17-20-A1/ XI6-11-B1	XI6-WR-11-400-3-50-DOL-B1	6073473	-	-
Xiro SPI6.17-21-A1/ XI6-13-B1	XI6-WR-13-400-3-50-DOL-B1	6073474	-	-
Xiro SPI6.17-22-A1/ XI6-13-B1	XI6-WR-13-400-3-50-DOL-B1	6073475	-	-
Xiro SPI6.17-23-A1/ XI6-13-B1	XI6-WR-13-400-3-50-DOL-B1	6073476	-	-
Xiro SPI6.17-24-A1/ XI6-13-B1	XI6-WR-13-400-3-50-DOL-B1	6073477	-	-

Dimension drawing (variable)

Wilo-Xiro SPI



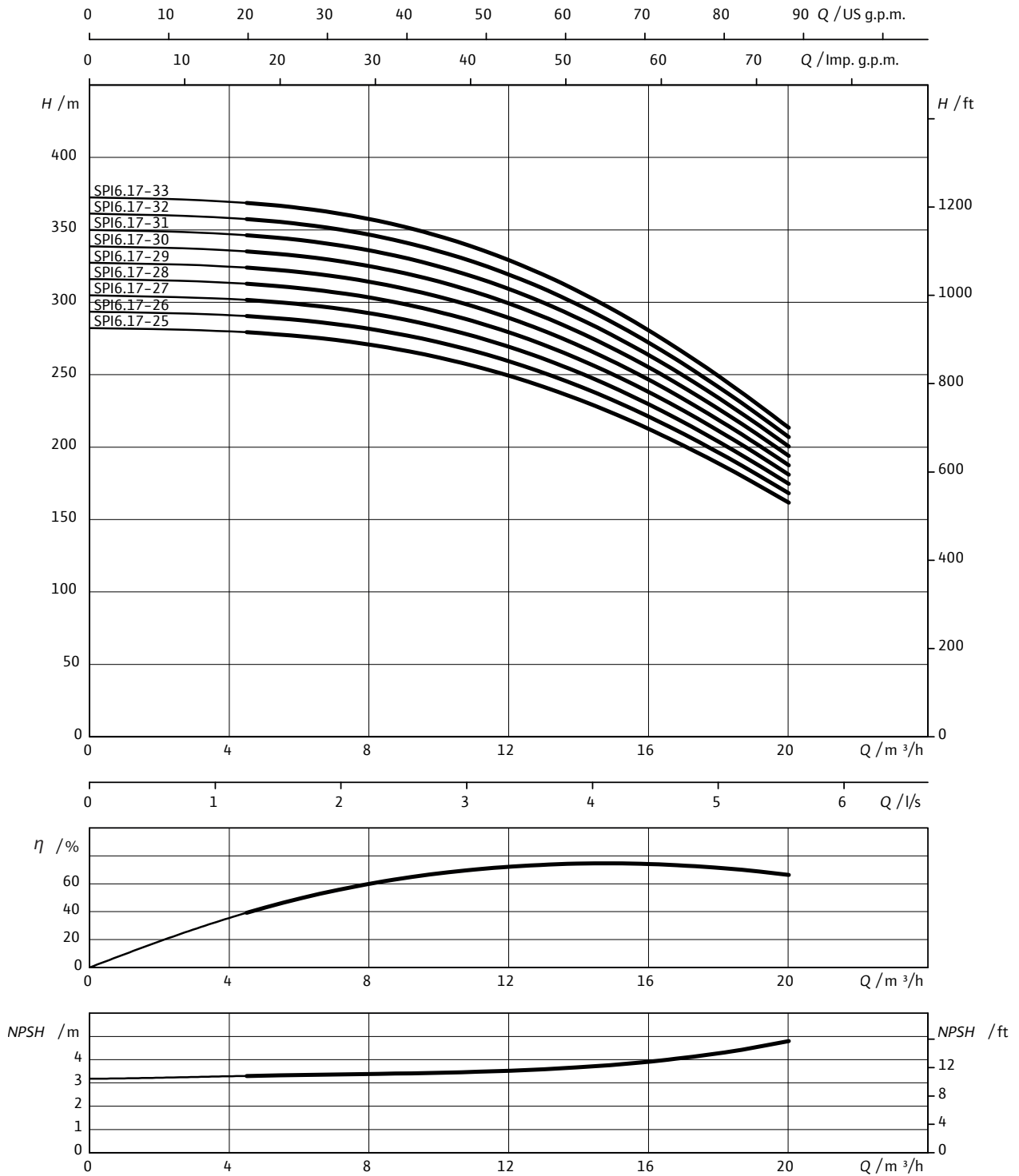
Dimensions, weights

Type	Dimensions						Net weight, approx. m kg	Installation approx.
	H1	H2 mm	H	C1	ϕ mm	M		
Xiro SPI6.17-16-A1/ XI6-9,3-B1	1237	727	1964	-	132	142	82	V+H 1)
Xiro SPI6.17-17-A1/ XI6-9,3-B1	1298	727	2025	-	132	142	84	V+H 1)
Xiro SPI6.17-18-A1/ XI6-11-B1	1358	778	2136	-	132	142	90	V+H 1)
Xiro SPI6.17-19-A1/ XI6-11-B1	1419	778	2197	-	132	142	91	V+H 1)
Xiro SPI6.17-20-A1/ XI6-11-B1	1479	778	2257	-	132	142	93	V+H 1)
Xiro SPI6.17-21-A1/ XI6-13-B1	1540	838	2378	-	132	142	99	V+H 1)
Xiro SPI6.17-22-A1/ XI6-13-B1	1600	838	2438	-	132	142	101	V+H 1)
Xiro SPI6.17-23-A1/ XI6-13-B1	1661	838	2499	-	132	142	102	V+H 1)
Xiro SPI6.17-24-A1/ XI6-13-B1	1721	838	2559	-	132	142	104	V+H 1)

Pump with non-return valve, ¹⁾ On request, ³⁾ Max. ϕ for power cable configuration in accordance with I_N

Pump curve

Xiro SPI 6.17



3~400 V, 50 Hz, $\rho = 1 \text{ kg/dm}^3$, $\nu = 1 \times 10^{-6} \text{ m}^2/\text{s}$, ISO 9906 Annex A

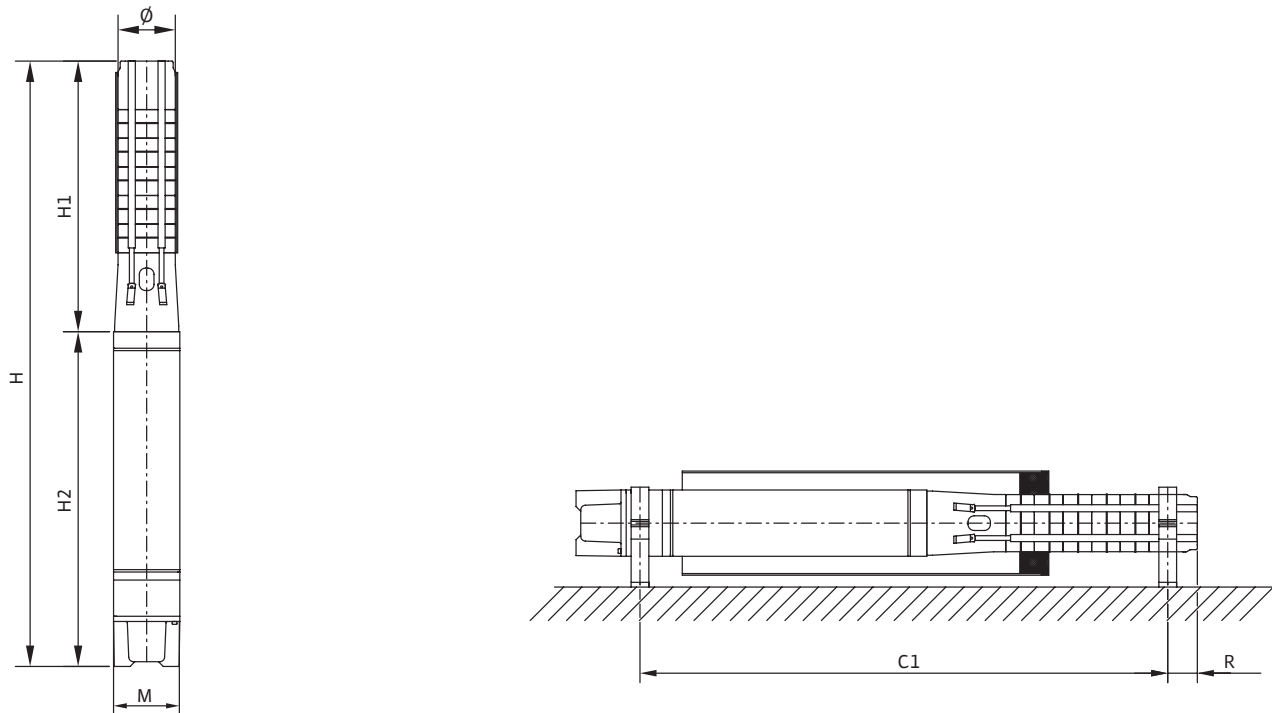
Subject to change without prior notice – Version dated June 2020.

Motor data						
	Motor diameter	Mains connection	Rated power	Rated current	Connection cable length	Cable cross-section
	DM in		P_2 kW	I_N A	D m	mm ²
Xiro SPI6.17-25-A1/ XI6-15-B1	6	3~400 V, 50 Hz	15	32.2	4.3	3x4
Xiro SPI6.17-26-A1/ XI6-15-B1	6	3~400 V, 50 Hz	15	32.2	4.3	3x4
Xiro SPI6.17-27-A1/ XI6-15-B1	6	3~400 V, 50 Hz	15	32.2	4.3	3x4
Xiro SPI6.17-28-A1/ XI6-15-B1	6	3~400 V, 50 Hz	15	32.2	4.3	3x4
Xiro SPI6.17-29-A1/ XI6-18,5-B1	6	3~400 V, 50 Hz	18.5	40.2	4.3	3x4
Xiro SPI6.17-30-A1/ XI6-18,5-B1	6	3~400 V, 50 Hz	18.5	40.2	4.3	3x4
Xiro SPI6.17-31-A1/ XI6-18,5-B1	6	3~400 V, 50 Hz	18.5	40.2	4.3	3x4
Xiro SPI6.17-32-A1/ XI6-18,5-B1	6	3~400 V, 50 Hz	18.5	40.2	4.3	3x4
Xiro SPI6.17-33-A1/ XI6-18,5-B1	6	3~400 V, 50 Hz	18.5	40.2	4.3	3x4

Information for order placements				
	Name	Art. no.	Item no. for jacket pipe cooling (vertical)	Item no. for jacket pipe cooling (horizontal)
Xiro SPI6.17-25-A1/ XI6-15-B1	XI6-WR-15-400-3-50-DOL-B1	6073478	-	-
Xiro SPI6.17-26-A1/ XI6-15-B1	XI6-WR-15-400-3-50-DOL-B1	6073479	-	-
Xiro SPI6.17-27-A1/ XI6-15-B1	XI6-WR-15-400-3-50-DOL-B1	6073480	-	-
Xiro SPI6.17-28-A1/ XI6-15-B1	XI6-WR-15-400-3-50-DOL-B1	6073481	-	-
Xiro SPI6.17-29-A1/ XI6-18,5-B1	XI6-WR-18,5-400-3-50-DOL-B1	6073482	-	-
Xiro SPI6.17-30-A1/ XI6-18,5-B1	XI6-WR-18,5-400-3-50-DOL-B1	6073483	-	-
Xiro SPI6.17-31-A1/ XI6-18,5-B1	XI6-WR-18,5-400-3-50-DOL-B1	6073484	-	-
Xiro SPI6.17-32-A1/ XI6-18,5-B1	XI6-WR-18,5-400-3-50-DOL-B1	6073485	-	-
Xiro SPI6.17-33-A1/ XI6-18,5-B1	XI6-WR-18,5-400-3-50-DOL-B1	6073486	-	-

Dimension drawing (variable)

Wilo-Xiro SPI



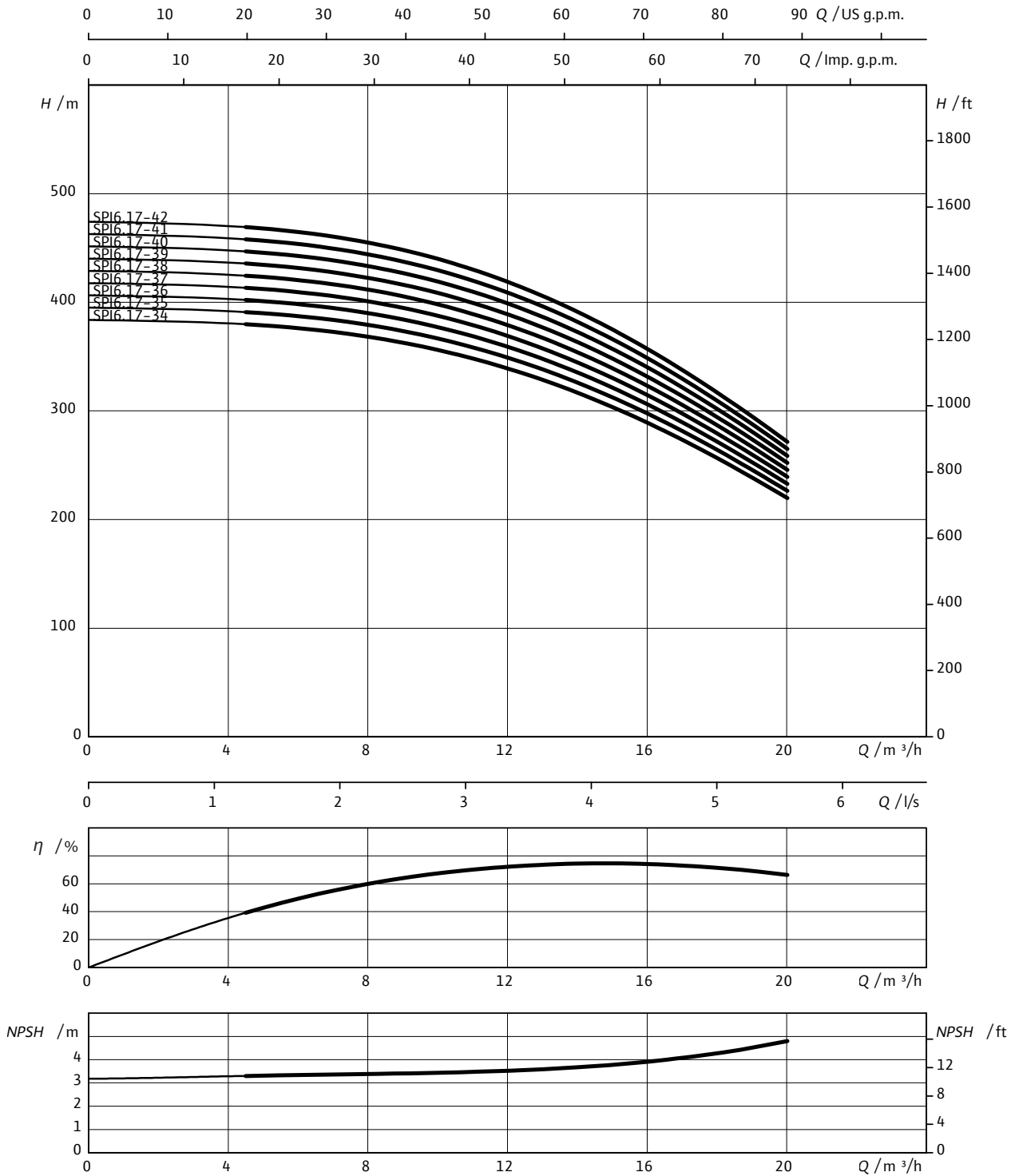
Dimensions, weights

Type	Dimensions						Net weight, approx. m kg	Installation approx. V+H 1)
	H1	H2 mm	H	C1	Ø mm	M		
Xiro SPI6.17-25-A1/ XI6-15-B1	1782	900	2682	-	132	142	112	V+H 1)
Xiro SPI6.17-26-A1/ XI6-15-B1	1842	900	2742	-	132	142	114	V+H 1)
Xiro SPI6.17-27-A1/ XI6-15-B1	1903	900	2803	-	132	142	115	V+H 1)
Xiro SPI6.17-28-A1/ XI6-15-B1	1963	900	2863	-	132	142	117	V+H 1)
Xiro SPI6.17-29-A1/ XI6-18,5-B1	2024	933	2957	-	132	142	122	V+H 1)
Xiro SPI6.17-30-A1/ XI6-18,5-B1	2084	933	3017	-	132	142	123	V+H 1)
Xiro SPI6.17-31-A1/ XI6-18,5-B1	2145	933	3078	-	132	142	125	V+H 1)
Xiro SPI6.17-32-A1/ XI6-18,5-B1	2205	933	3138	-	132	142	126	V+H 1)
Xiro SPI6.17-33-A1/ XI6-18,5-B1	2266	933	3199	-	132	142	128	V+H 1)

Pump with non-return valve, ¹⁾ On request, ³⁾ Max. Ø for power cable configuration in accordance with I_N

Pump curve

Xiro SPI 6.17



3~400 V, 50 Hz, $\rho = 1\ kg/dm^3$, $\nu = 1 \times 10^{-6}\ m^2/s$, ISO 9906 Annex A

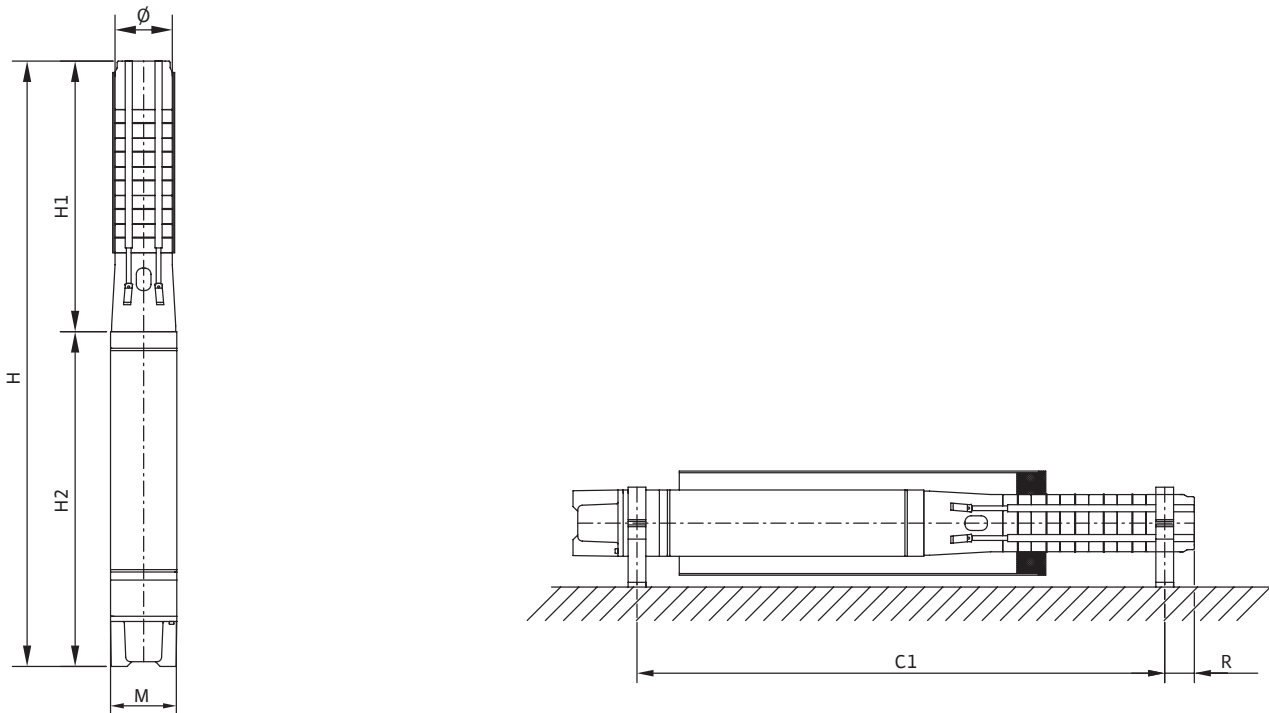
Subject to change without prior notice – Version dated June 2020.

Motor data						
	Motor diameter	Mains connection	Rated power	Rated current	Connection cable length	Cable cross-section
	DM in		P_2 kW	I_N A	D m	mm ²
Xiro SPI6.17-34-A1/ XI6-18,5-B1	6	3~400 V, 50 Hz	18.5	40.2	4.3	3x4
Xiro SPI6.17-35-A1/ XI6-22-B1	6	3~400 V, 50 Hz	22	46.7	4.3	3x6
Xiro SPI6.17-36-A1/ XI6-22-B1	6	3~400 V, 50 Hz	22	46.7	4.3	3x6
Xiro SPI6.17-37-A1/ XI6-22-B1	6	3~400 V, 50 Hz	22	46.7	4.3	3x6
Xiro SPI6.17-38-A1/ XI6-22-B1	6	3~400 V, 50 Hz	22	46.7	4.3	3x6
Xiro SPI6.17-39-A1/ XI6-22-B1	6	3~400 V, 50 Hz	22	46.7	4.3	3x6
Xiro SPI6.17-40-A1/ XI6-22-B1	6	3~400 V, 50 Hz	22	46.7	4.3	3x6
Xiro SPI6.17-41-A1/ XI6-22-B1	6	3~400 V, 50 Hz	22	46.7	4.3	3x6
Xiro SPI6.17-42-A1/ XI6-26,5-B1	6	3~400 V, 50 Hz	26.5	54.9	4.3	3x6

Information for order placements				
	Name	Art. no.	Item no. for jacket pipe cooling (vertical)	Item no. for jacket pipe cooling (horizontal)
Xiro SPI6.17-34-A1/ XI6-18,5-B1	XI6-WR-18,5-400-3-50-DOL-B1	6073487	-	-
Xiro SPI6.17-35-A1/ XI6-22-B1	XI6-WR-22-400-3-50-DOL-B1	6073488	-	-
Xiro SPI6.17-36-A1/ XI6-22-B1	XI6-WR-22-400-3-50-DOL-B1	6073489	-	-
Xiro SPI6.17-37-A1/ XI6-22-B1	XI6-WR-22-400-3-50-DOL-B1	6073490	-	-
Xiro SPI6.17-38-A1/ XI6-22-B1	XI6-WR-22-400-3-50-DOL-B1	6073491	-	-
Xiro SPI6.17-39-A1/ XI6-22-B1	XI6-WR-22-400-3-50-DOL-B1	6073492	-	-
Xiro SPI6.17-40-A1/ XI6-22-B1	XI6-WR-22-400-3-50-DOL-B1	6073493	-	-
Xiro SPI6.17-41-A1/ XI6-22-B1	XI6-WR-22-400-3-50-DOL-B1	6073494	-	-
Xiro SPI6.17-42-A1/ XI6-26,5-B1	XI6-WR-26,5-400-3-50-DOL-B1	6073495	-	-

Dimension drawing (variable)

Wilo-Xiro SPI



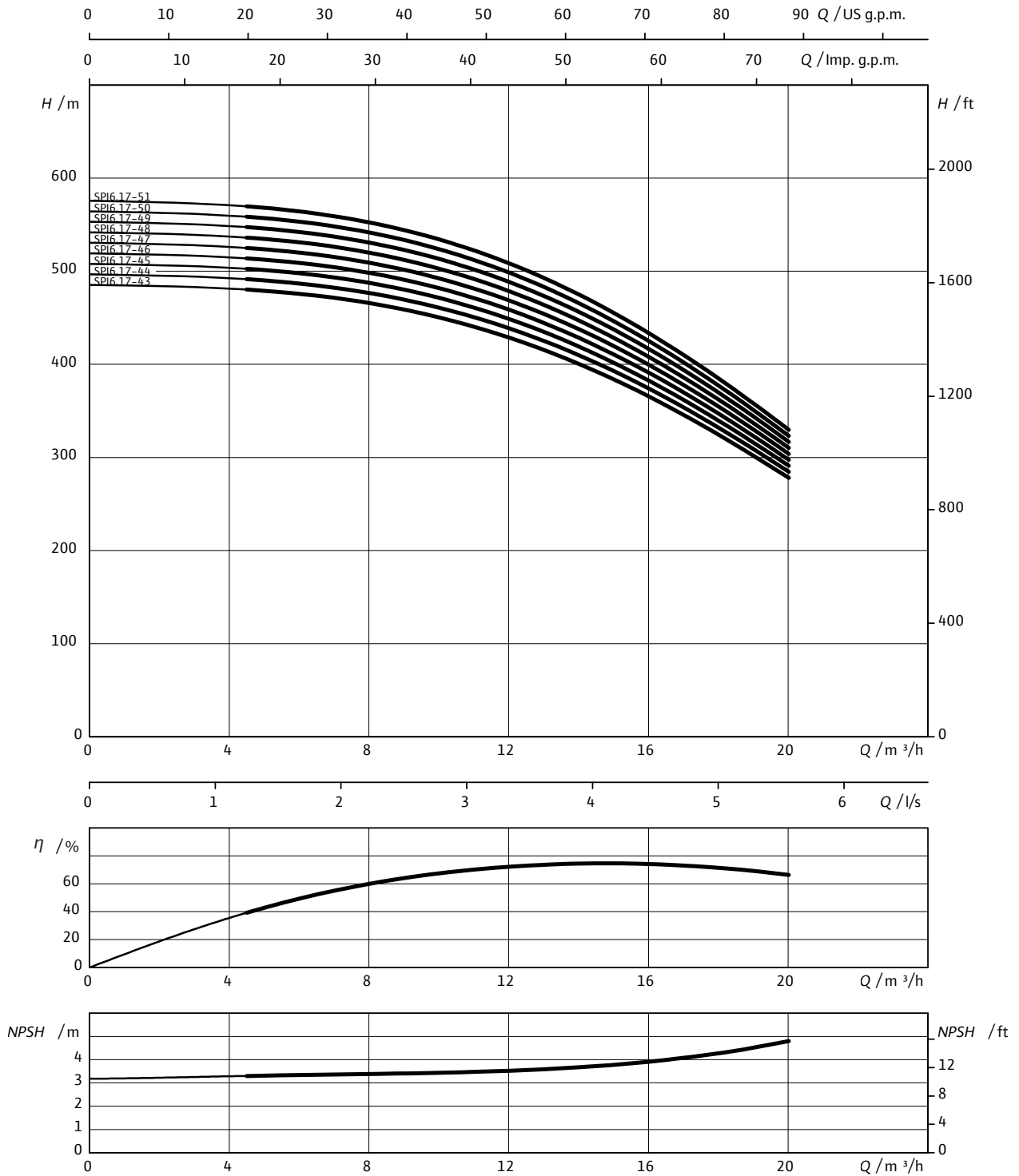
Dimensions, weights

Type	Dimensions						Net weight, approx. m kg	Installation approx.
	H1	H2 mm	H	C1	ϕ mm	M		
Xiro SPI6.17-34-A1/ XI6-18,5-B1	2326	933	3259	-	132	142	129	V+H 1)
Xiro SPI6.17-35-A1/ XI6-22-B1	2387	1033	3420	-	132	142	142	V+H 1)
Xiro SPI6.17-36-A1/ XI6-22-B1	2447	1033	3480	-	132	142	143	V+H 1)
Xiro SPI6.17-37-A1/ XI6-22-B1	2508	1033	3541	-	132	142	145	V+H 1)
Xiro SPI6.17-38-A1/ XI6-22-B1	2568	1033	3601	-	132	142	146	V+H 1)
Xiro SPI6.17-39-A1/ XI6-22-B1	2879	1033	3912	-	167	142	178	V
Xiro SPI6.17-40-A1/ XI6-22-B1	2939	1033	3972	-	167	142	180	V
Xiro SPI6.17-41-A1/ XI6-22-B1	3000	1033	4033	-	167	142	182	V
Xiro SPI6.17-42-A1/ XI6-26,5-B1	3060	1144	4204	-	167	142	194	V

Pump with non-return valve, ¹⁾ On request, ³⁾ Max. ϕ for power cable configuration in accordance with I_N

Pump curve

Xiro SPI 6.17



3~400 V, 50 Hz, $\rho = 1 \text{ kg/dm}^3$, $\nu = 1 \times 10^{-6} \text{ m}^2/\text{s}$, ISO 9906 Annex A

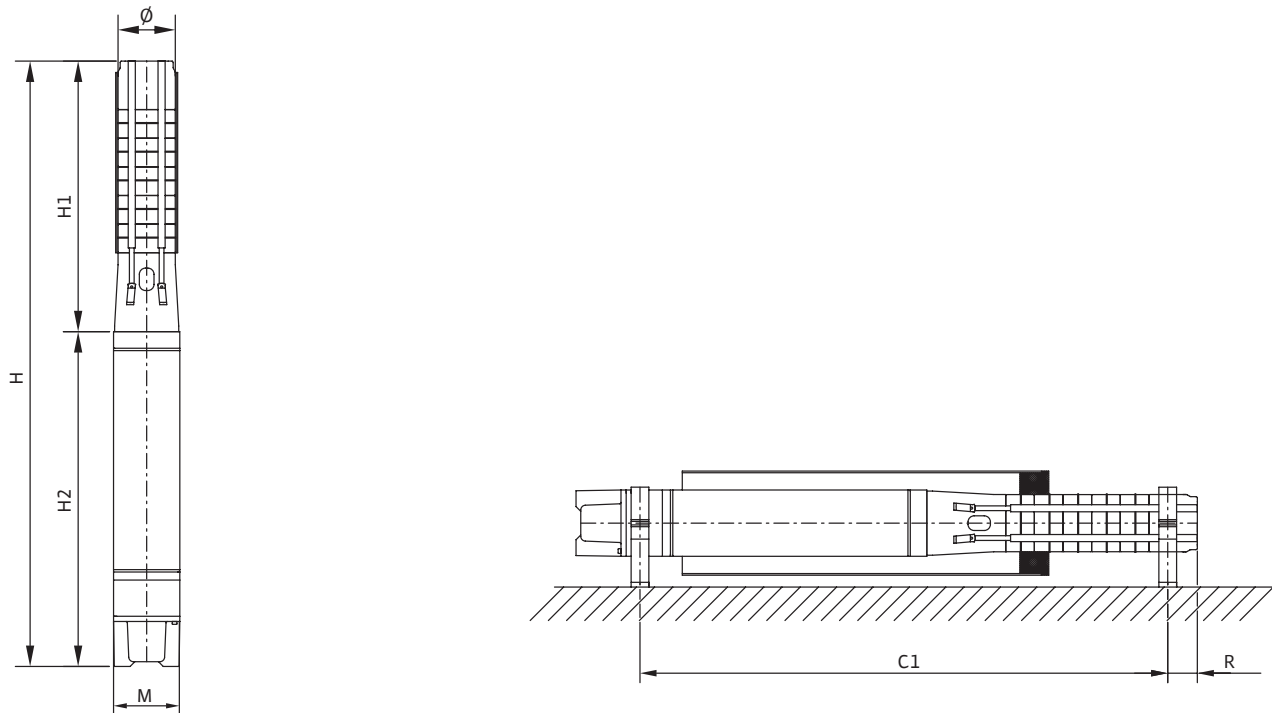
Subject to change without prior notice – Version dated June 2020.

Motor data						
	Motor diameter	Mains connection	Rated power	Rated current	Connection cable length	Cable cross-section
	DM in		P_2 kW	I_N A	D m	mm ²
Xiro SPI6.17-43-A1/ XI6-26,5-B1	6	3~400 V, 50 Hz	26.5	54.9	4.3	3x6
Xiro SPI6.17-44-A1/ XI6-26,5-B1	6	3~400 V, 50 Hz	26.5	54.9	4.3	3x6
Xiro SPI6.17-45-A1/ XI6-26,5-B1	6	3~400 V, 50 Hz	26.5	54.9	4.3	3x6
Xiro SPI6.17-46-A1/ XI6-26,5-B1	6	3~400 V, 50 Hz	26.5	54.9	4.3	3x6
Xiro SPI6.17-47-A1/ XI6-26,5-B1	6	3~400 V, 50 Hz	26.5	54.9	4.3	3x6
Xiro SPI6.17-48-A1/ XI6-26,5-B1	6	3~400 V, 50 Hz	26.5	54.9	4.3	3x6
Xiro SPI6.17-49-A1/ XI6-30-B1	6	3~400 V, 50 Hz	30	62.1	4.3	3x6
Xiro SPI6.17-50-A1/ XI6-30-B1	6	3~400 V, 50 Hz	30	62.1	4.3	3x6
Xiro SPI6.17-51-A1/ XI6-30-B1	6	3~400 V, 50 Hz	30	62.1	4.3	3x6

Information for order placements				
	Name	Art. no.	Item no. for jacket pipe cooling (vertical)	Item no. for jacket pipe cooling (horizontal)
Xiro SPI6.17-43-A1/ XI6-26,5-B1	XI6-WR-26,5-400-3-50-DOL-B1	6073496	-	-
Xiro SPI6.17-44-A1/ XI6-26,5-B1	XI6-WR-26,5-400-3-50-DOL-B1	6073497	-	-
Xiro SPI6.17-45-A1/ XI6-26,5-B1	XI6-WR-26,5-400-3-50-DOL-B1	6073498	-	-
Xiro SPI6.17-46-A1/ XI6-26,5-B1	XI6-WR-26,5-400-3-50-DOL-B1	6073499	-	-
Xiro SPI6.17-47-A1/ XI6-26,5-B1	XI6-WR-26,5-400-3-50-DOL-B1	6073500	-	-
Xiro SPI6.17-48-A1/ XI6-26,5-B1	XI6-WR-26,5-400-3-50-DOL-B1	6073501	-	-
Xiro SPI6.17-49-A1/ XI6-30-B1	XI6-WR-30-400-3-50-DOL-B1	6073502	-	-
Xiro SPI6.17-50-A1/ XI6-30-B1	XI6-WR-30-400-3-50-DOL-B1	6073503	-	-
Xiro SPI6.17-51-A1/ XI6-30-B1	XI6-WR-30-400-3-50-DOL-B1	6073504	-	-

Dimension drawing (variable)

Wilo-Xiro SPI



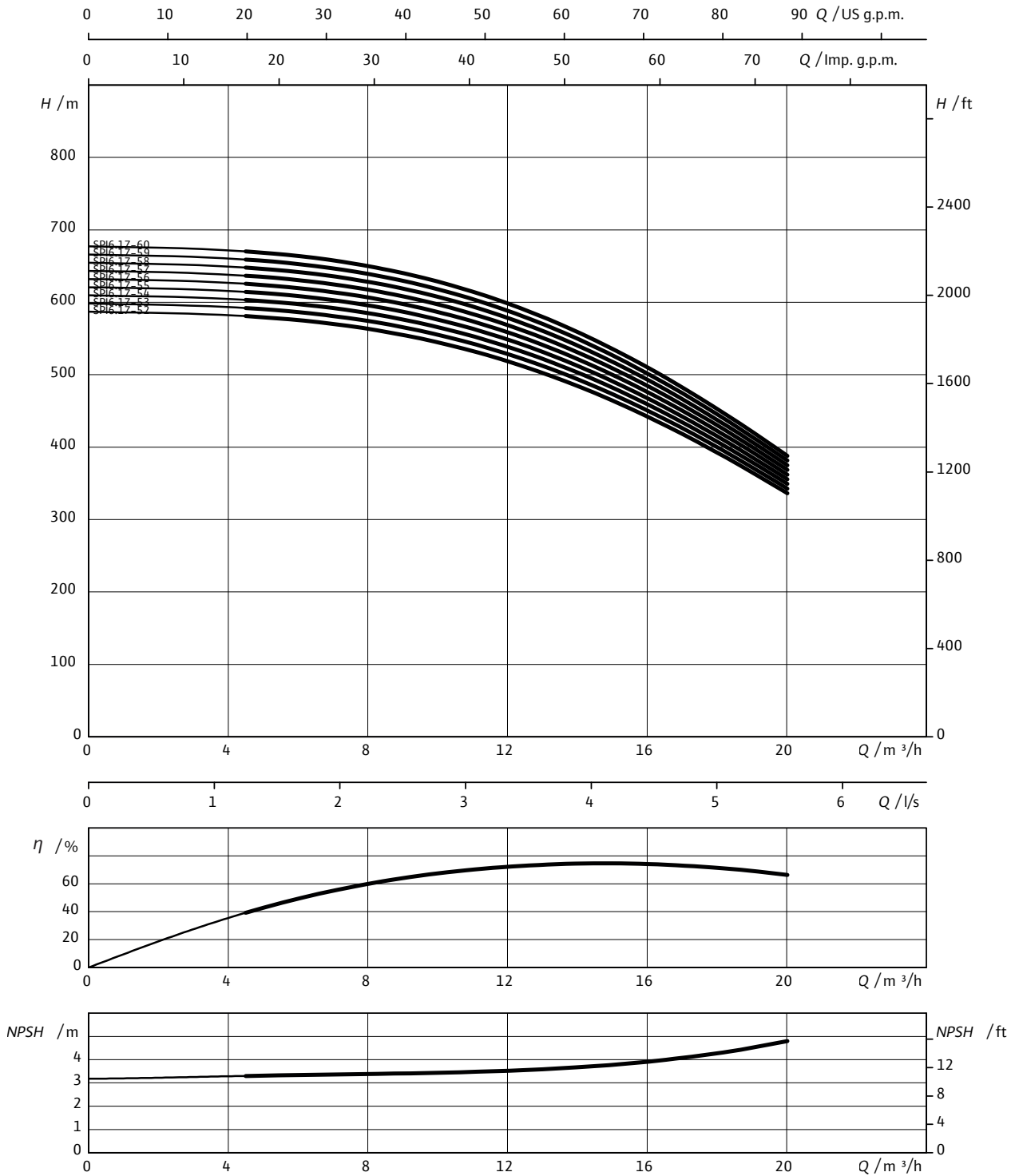
Dimensions, weights

Type	Dimensions						Net weight, approx. m kg	Installation approx.
	H1	H2 mm	H	C1	Ø mm	M		
Xiro SPI6.17-43-A1/ XI6-26,5-B1	3121	1144	4265	-	167	142	196	V
Xiro SPI6.17-44-A1/ XI6-26,5-B1	3181	1144	4325	-	167	142	198	V
Xiro SPI6.17-45-A1/ XI6-26,5-B1	3242	1144	4386	-	167	142	200	V
Xiro SPI6.17-46-A1/ XI6-26,5-B1	3302	1144	4446	-	167	142	201	V
Xiro SPI6.17-47-A1/ XI6-26,5-B1	3363	1144	4507	-	167	142	203	V
Xiro SPI6.17-48-A1/ XI6-26,5-B1	3423	1144	4567	-	167	142	205	V
Xiro SPI6.17-49-A1/ XI6-30-B1	3484	1174	4658	-	167	142	212	V
Xiro SPI6.17-50-A1/ XI6-30-B1	3544	1174	4718	-	167	142	214	V
Xiro SPI6.17-51-A1/ XI6-30-B1	3605	1174	4779	-	167	142	215	V

Pump with non-return valve, ¹⁾ On request, ³⁾ Max. Ø for power cable configuration in accordance with I_N

Pump curve

Xiro SPI 6.17



3~400 V, 50 Hz, $\rho = 1 \text{ kg/dm}^3$, $\nu = 1 \times 10^{-6} \text{ m}^2/\text{s}$, ISO 9906 Annex A

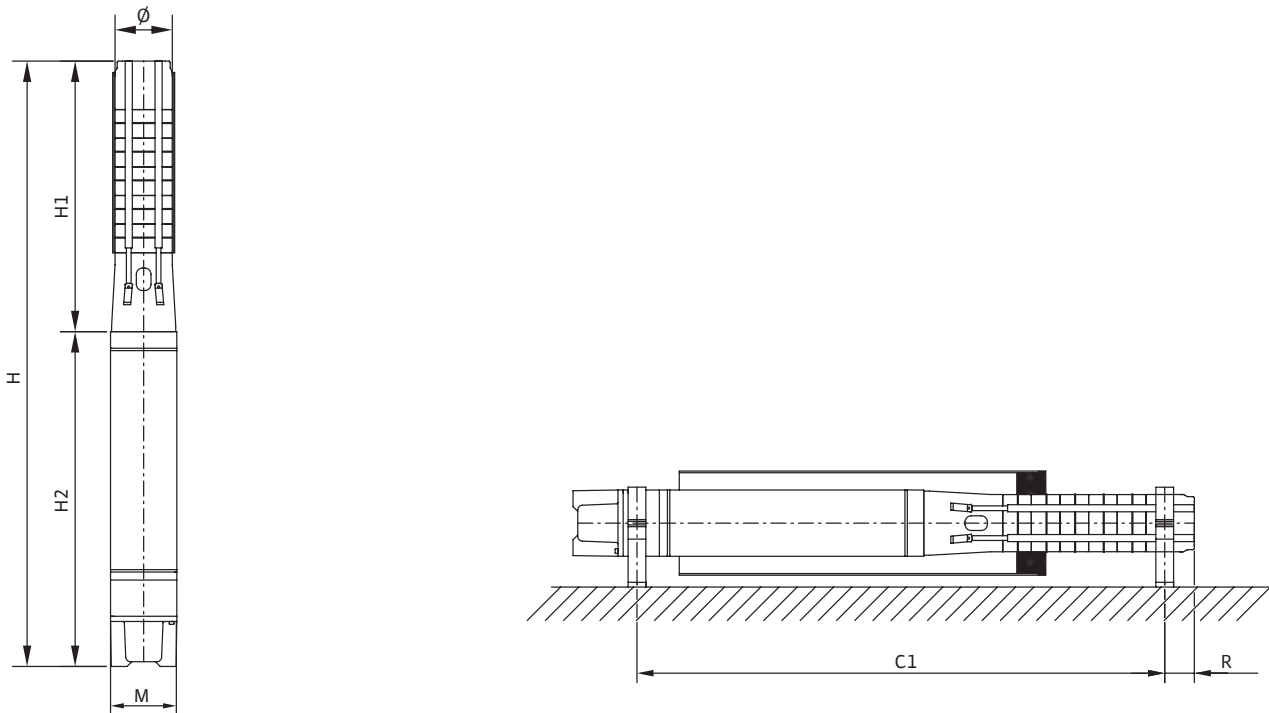
Subject to change without prior notice – Version dated June 2020.

Motor data						
	Motor diameter	Mains connection	Rated power	Rated current	Connection cable length	Cable cross-section
	DM in		P_2 kW	I_N A	D m	mm ²
Xiro SPI6.17-52-A1/ XI6-30-B1	6	3~400 V, 50 Hz	30	62.1	4.3	3x6
Xiro SPI6.17-53-A1/ XI6-30-B1	6	3~400 V, 50 Hz	30	62.1	4.3	3x6
Xiro SPI6.17-54-A1/ XI6-30-B1	6	3~400 V, 50 Hz	30	62.1	4.3	3x6
Xiro SPI6.17-55-A1/ XI6-30-B1	6	3~400 V, 50 Hz	30	62.1	4.3	3x6
Xiro SPI6.17-56-A1/ XI6-30-B1	6	3~400 V, 50 Hz	30	62.1	4.3	3x6
Xiro SPI6.17-57-A1/ XI6-37-B1	6	3~400 V, 50 Hz	37	76.7	4.3	3x6
Xiro SPI6.17-58-A1/ XI6-37-B1	6	3~400 V, 50 Hz	37	76.7	4.3	3x6
Xiro SPI6.17-59-A1/ XI6-37-B1	6	3~400 V, 50 Hz	37	76.7	4.3	3x6
Xiro SPI6.17-60-A1/ XI6-37-B1	6	3~400 V, 50 Hz	37	76.7	4.3	3x6

Information for order placements				
	Name	Art. no.	Item no. for jacket pipe cooling (vertical)	Item no. for jacket pipe cooling (horizontal)
Xiro SPI6.17-52-A1/ XI6-30-B1	XI6-WR-30-400-3-50-DOL-B1	6073505	-	-
Xiro SPI6.17-53-A1/ XI6-30-B1	XI6-WR-30-400-3-50-DOL-B1	6073506	-	-
Xiro SPI6.17-54-A1/ XI6-30-B1	XI6-WR-30-400-3-50-DOL-B1	6073507	-	-
Xiro SPI6.17-55-A1/ XI6-30-B1	XI6-WR-30-400-3-50-DOL-B1	6073508	-	-
Xiro SPI6.17-56-A1/ XI6-30-B1	XI6-WR-30-400-3-50-DOL-B1	6073509	-	-
Xiro SPI6.17-57-A1/ XI6-37-B1	XI6-WR-37-400-3-50-DOL-B1	6073510	-	-
Xiro SPI6.17-58-A1/ XI6-37-B1	XI6-WR-37-400-3-50-DOL-B1	6073511	-	-
Xiro SPI6.17-59-A1/ XI6-37-B1	XI6-WR-37-400-3-50-DOL-B1	6073512	-	-
Xiro SPI6.17-60-A1/ XI6-37-B1	XI6-WR-37-400-3-50-DOL-B1	6073513	-	-

Dimension drawing (variable)

Wilo-Xiro SPI



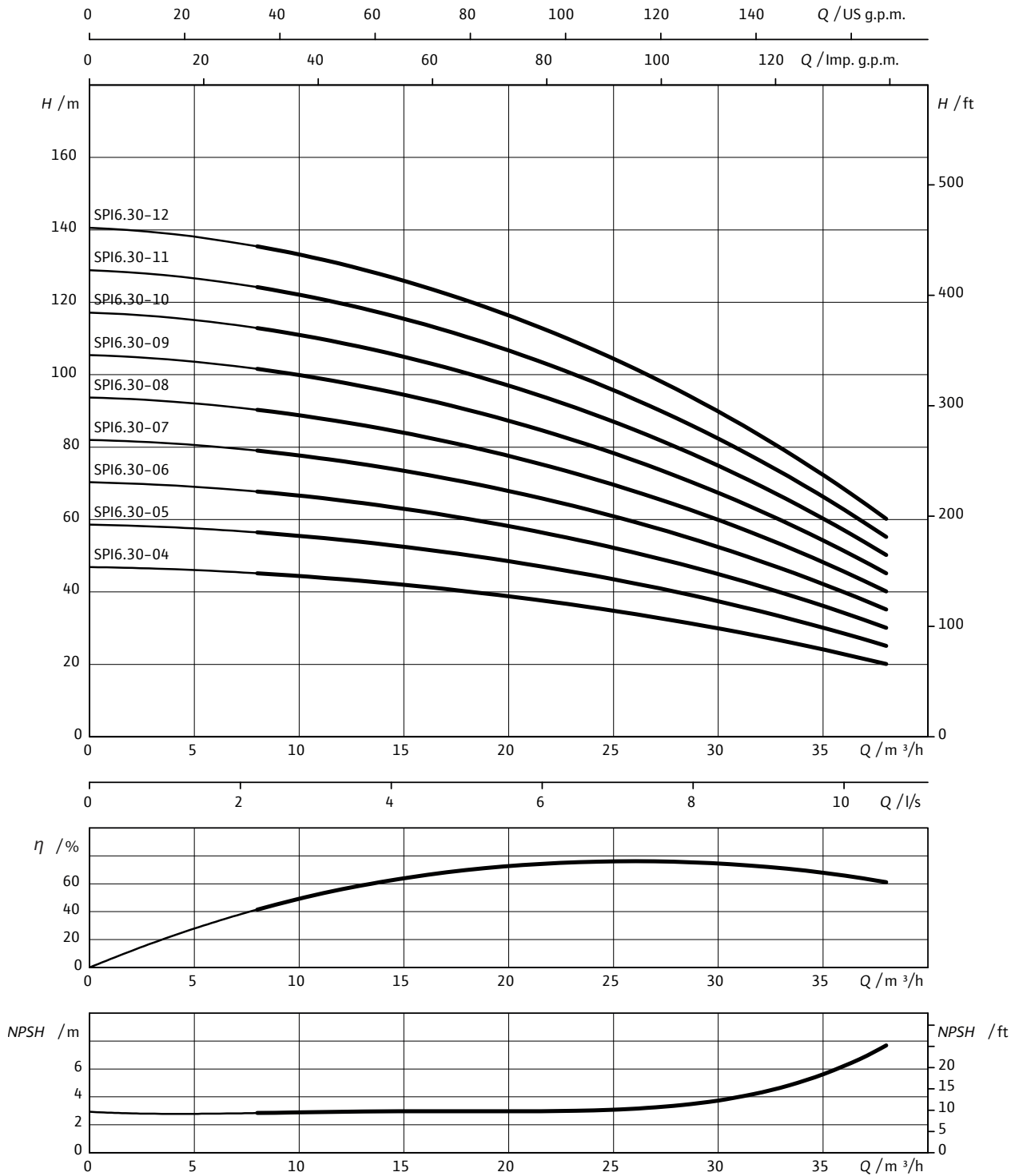
Dimensions, weights

Type	Dimensions						Net weight, approx. m kg	Installation approx.
	H1	H2 mm	H	C1	ϕ mm	M		
Xiro SPI6.17-52-A1/ X16-30-B1	3665	1174	4839	-	167	142	217	V
Xiro SPI6.17-53-A1/ X16-30-B1	3726	1174	4900	-	167	142	219	V
Xiro SPI6.17-54-A1/ X16-30-B1	3786	1174	4960	-	167	142	221	V
Xiro SPI6.17-55-A1/ X16-30-B1	3847	1174	5021	-	167	142	223	V
Xiro SPI6.17-56-A1/ X16-30-B1	3907	1174	5081	-	167	142	224	V
Xiro SPI6.17-57-A1/ X16-37-B1	3968	1274	5242	-	167	142	233	V
Xiro SPI6.17-58-A1/ X16-37-B1	4028	1274	5302	-	167	142	235	V
Xiro SPI6.17-59-A1/ X16-37-B1	4089	1274	5363	-	167	142	237	V
Xiro SPI6.17-60-A1/ X16-37-B1	4149	1274	5423	-	167	142	239	V

Pump with non-return valve, ¹⁾ On request, ³⁾ Max. ϕ for power cable configuration in accordance with I_N

Pump curve

Xiro SPI 6.30



3~400 V, 50 Hz, $\rho = 1 \text{ kg/dm}^3$, $\nu = 1 \times 10^{-6} \text{ m}^2/\text{s}$, ISO 9906 Annex A

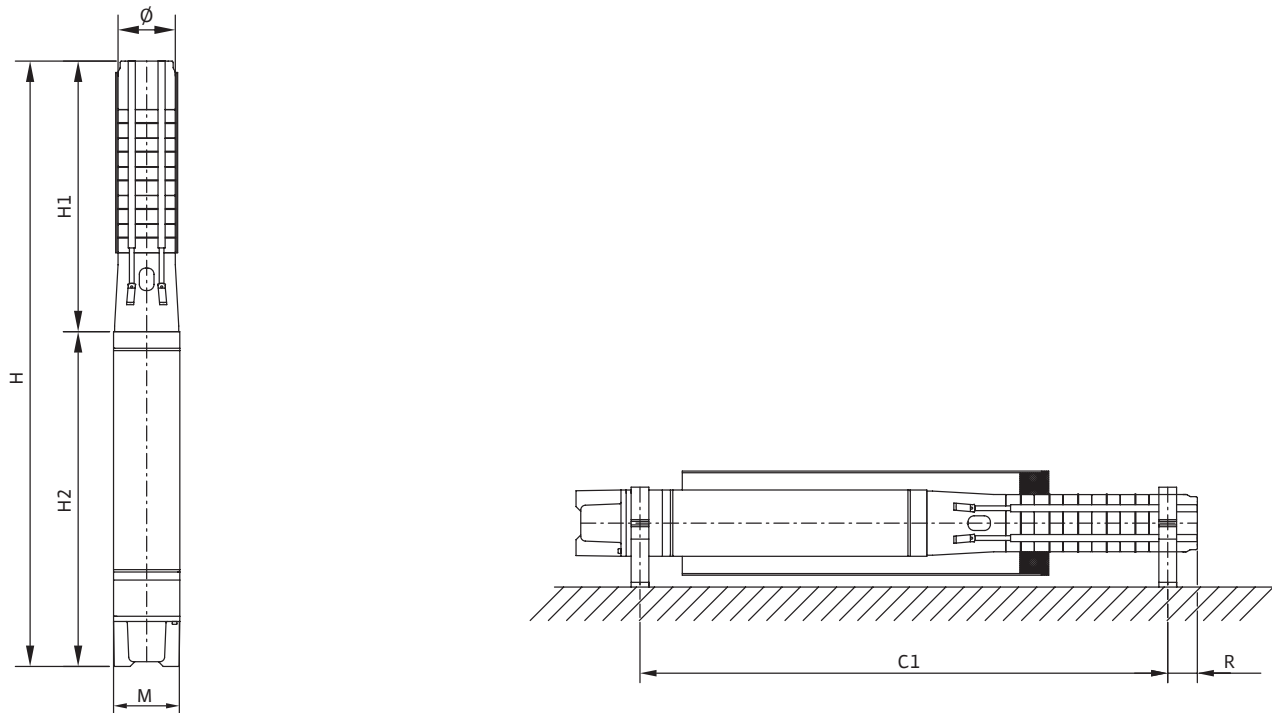
Subject to change without prior notice – Version dated June 2020.

Motor data						
	Motor diameter	Mains connection	Rated power	Rated current	Connection cable length	Cable cross-section
	DM in		P_2 kW	I_N A	D m	mm ²
Xiro SPI6.30-04-A1/ XI6-4,0-B1	6	3~400 V, 50 Hz	4	9.8	4.3	3x2,5
Xiro SPI6.30-05-A1/ XI6-5,5-B1	6	3~400 V, 50 Hz	5.5	12.8	4.3	3x2,5
Xiro SPI6.30-06-A1/ XI6-5,5-B1	6	3~400 V, 50 Hz	5.5	12.8	4.3	3x2,5
Xiro SPI6.30-07-A1/ XI6-7,5-B1	6	3~400 V, 50 Hz	7.5	16.5	4.3	3x2,5
Xiro SPI6.30-08-A1/ XI6-7,5-B1	6	3~400 V, 50 Hz	7.5	16.5	4.3	3x2,5
Xiro SPI6.30-09-A1/ XI6-9,3-B1	6	3~400 V, 50 Hz	9.3	20.2	4.3	3x2,5
Xiro SPI6.30-10-A1/ XI6-9,3-B1	6	3~400 V, 50 Hz	9.3	20.2	4.3	3x2,5
Xiro SPI6.30-11-A1/ XI6-9,3-B1	6	3~400 V, 50 Hz	9.3	20.2	4.3	3x2,5
Xiro SPI6.30-12-A1/ XI6-11-B1	6	3~400 V, 50 Hz	11	22.8	4.3	3x4

Information for order placements				
	Name	Art. no.	Item no. for jacket pipe cooling (vertical)	Item no. for jacket pipe cooling (horizontal)
Xiro SPI6.30-04-A1/ XI6-4,0-B1	XI6-WR-4,0-400-3-50-DOL-B1	6073514	-	-
Xiro SPI6.30-05-A1/ XI6-5,5-B1	XI6-WR-5,5-400-3-50-DOL-B1	6073515	-	-
Xiro SPI6.30-06-A1/ XI6-5,5-B1	XI6-WR-5,5-400-3-50-DOL-B1	6073516	-	-
Xiro SPI6.30-07-A1/ XI6-7,5-B1	XI6-WR-7,5-400-3-50-DOL-B1	6073517	-	-
Xiro SPI6.30-08-A1/ XI6-7,5-B1	XI6-WR-7,5-400-3-50-DOL-B1	6073518	-	-
Xiro SPI6.30-09-A1/ XI6-9,3-B1	XI6-WR-9,3-400-3-50-DOL-B1	6073519	-	-
Xiro SPI6.30-10-A1/ XI6-9,3-B1	XI6-WR-9,3-400-3-50-DOL-B1	6073520	-	-
Xiro SPI6.30-11-A1/ XI6-9,3-B1	XI6-WR-9,3-400-3-50-DOL-B1	6073521	-	-
Xiro SPI6.30-12-A1/ XI6-11-B1	XI6-WR-11-400-3-50-DOL-B1	6073522	-	-

Dimension drawing (variable)

Wilo-Xiro SPI



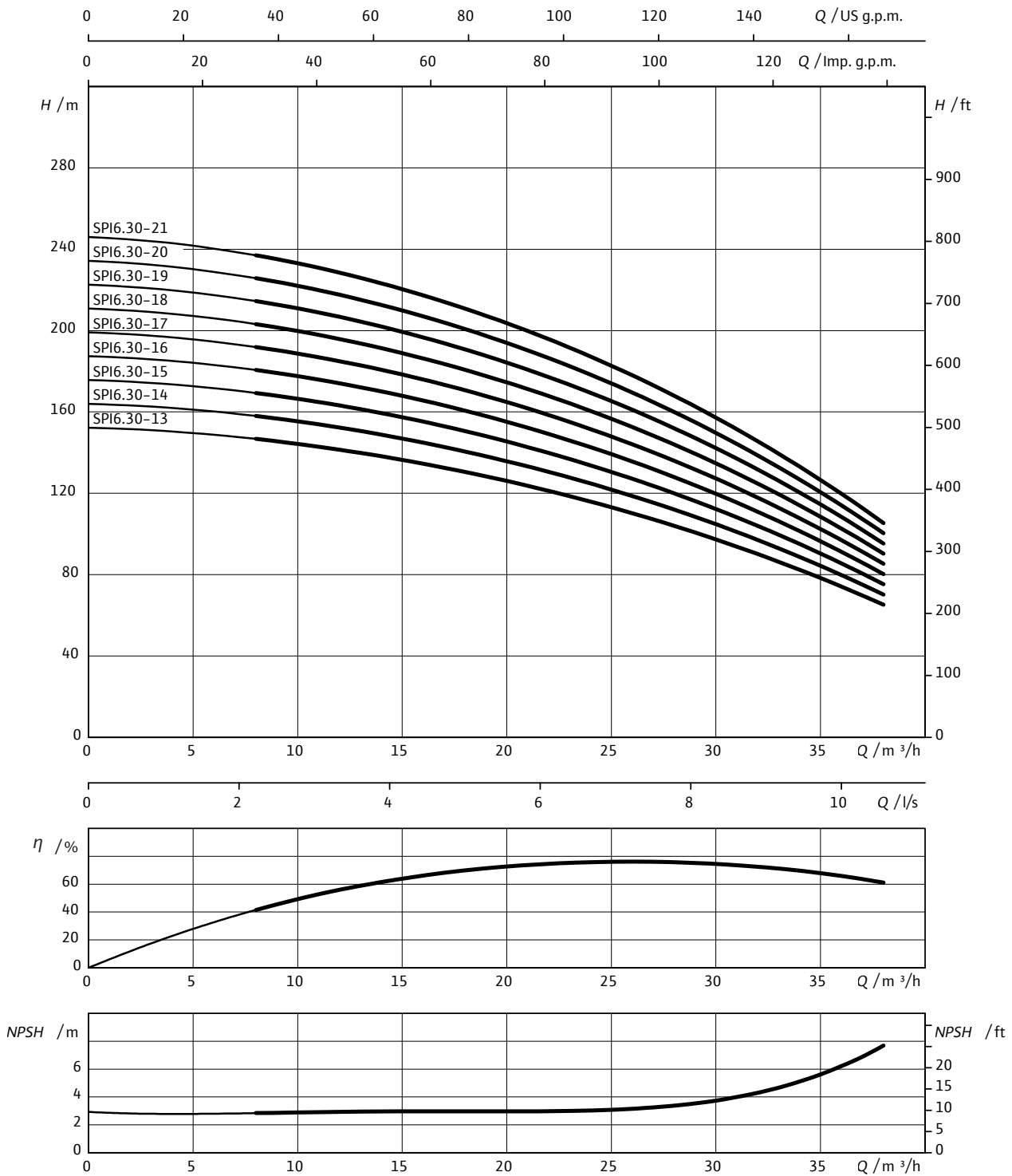
Dimensions, weights

Type	Dimensions						Net weight, approx. m kg	Installation approx. V+H 1)
	H1	H2 mm	H	C1	Ø mm	M		
Xiro SPI6.30-04-A1/ XI6-4,0-B1	649	576	1225	-	132	142	53	V+H 1)
Xiro SPI6.30-05-A1/ XI6-5,5-B1	744	605	1349	-	132	142	59	V+H 1)
Xiro SPI6.30-06-A1/ XI6-5,5-B1	839	605	1444	-	132	142	61	V+H 1)
Xiro SPI6.30-07-A1/ XI6-7,5-B1	934	685	1619	-	132	142	69	V+H 1)
Xiro SPI6.30-08-A1/ XI6-7,5-B1	1029	685	1714	-	132	142	71	V+H 1)
Xiro SPI6.30-09-A1/ XI6-9,3-B1	1124	727	1851	-	132	142	76	V+H 1)
Xiro SPI6.30-10-A1/ XI6-9,3-B1	1219	727	1946	-	132	142	80	V+H 1)
Xiro SPI6.30-11-A1/ XI6-9,3-B1	1314	727	2041	-	132	142	82	V+H 1)
Xiro SPI6.30-12-A1/ XI6-11-B1	1409	778	2187	-	132	142	89	V+H 1)

Pump with non-return valve, ¹⁾ On request, ³⁾ Max. Ø for power cable configuration in accordance with I_N

Pump curve

Xiro SPI 6.30



3~400 V, 50 Hz, $\rho = 1 \text{ kg/dm}^3$, $\nu = 1 \times 10^{-6} \text{ m}^2/\text{s}$, ISO 9906 Annex A

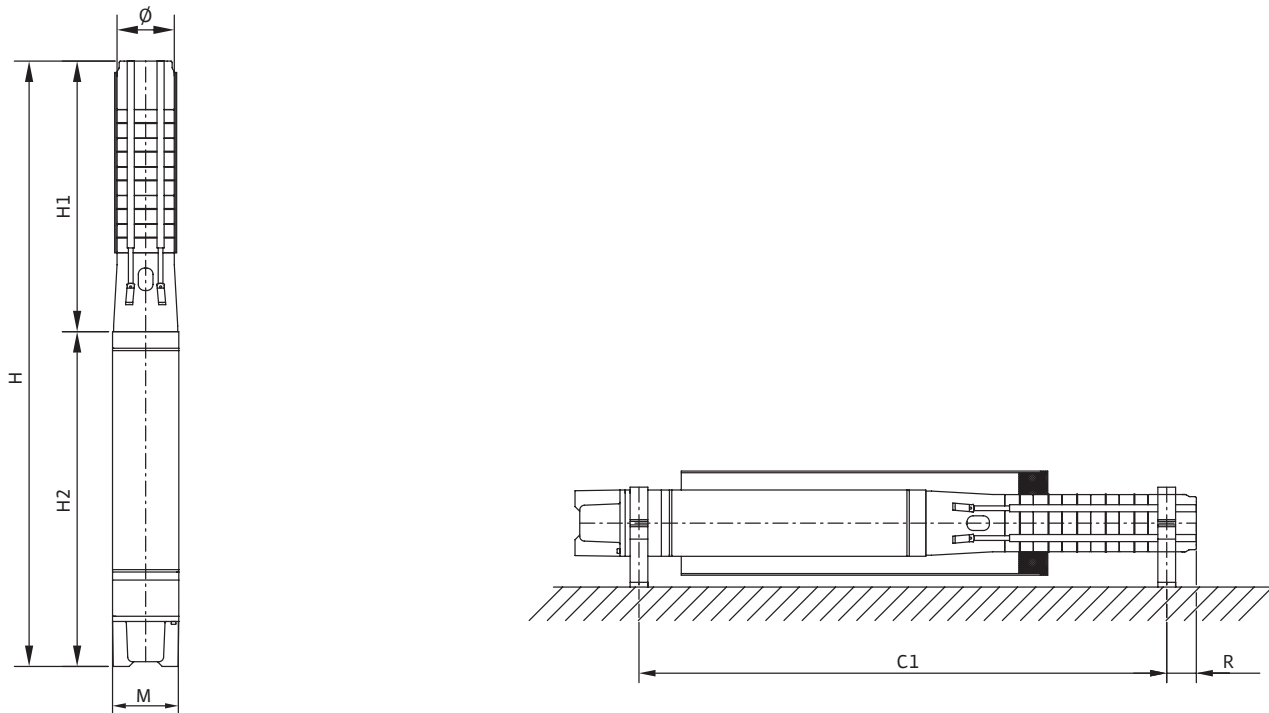
Subject to change without prior notice – Version dated June 2020.

Motor data						
	Motor diameter	Mains connection	Rated power	Rated current	Connection cable length	Cable cross-section
	DM in		P_2 kW	I_N A	D m	mm ²
Xiro SPI6.30-13-A1/ XI6-11-B1	6	3~400 V, 50 Hz	11	22.8	4.3	3x4
Xiro SPI6.30-14-A1/ XI6-13-B1	6	3~400 V, 50 Hz	13	27.6	4.3	3x4
Xiro SPI6.30-15-A1/ XI6-13-B1	6	3~400 V, 50 Hz	13	27.6	4.3	3x4
Xiro SPI6.30-16-A1/ XI6-15-B1	6	3~400 V, 50 Hz	15	32.2	4.3	3x4
Xiro SPI6.30-17-A1/ XI6-15-B1	6	3~400 V, 50 Hz	15	32.2	4.3	3x4
Xiro SPI6.30-18-A1/ XI6-18,5-B1	6	3~400 V, 50 Hz	18.5	40.2	4.3	3x4
Xiro SPI6.30-19-A1/ XI6-18,5-B1	6	3~400 V, 50 Hz	18.5	40.2	4.3	3x4
Xiro SPI6.30-20-A1/ XI6-18,5-B1	6	3~400 V, 50 Hz	18.5	40.2	4.3	3x4
Xiro SPI6.30-21-A1/ XI6-18,5-B1	6	3~400 V, 50 Hz	18.5	40.2	4.3	3x4

Information for order placements				
	Name	Art. no.	Item no. for jacket pipe cooling (vertical)	Item no. for jacket pipe cooling (horizontal)
Xiro SPI6.30-13-A1/ XI6-11-B1	XI6-WR-11-400-3-50-DOL-B1	6073523	-	-
Xiro SPI6.30-14-A1/ XI6-13-B1	XI6-WR-13-400-3-50-DOL-B1	6073524	-	-
Xiro SPI6.30-15-A1/ XI6-13-B1	XI6-WR-13-400-3-50-DOL-B1	6073525	-	-
Xiro SPI6.30-16-A1/ XI6-15-B1	XI6-WR-15-400-3-50-DOL-B1	6073526	-	-
Xiro SPI6.30-17-A1/ XI6-15-B1	XI6-WR-15-400-3-50-DOL-B1	6073527	-	-
Xiro SPI6.30-18-A1/ XI6-18,5-B1	XI6-WR-18,5-400-3-50-DOL-B1	6073528	-	-
Xiro SPI6.30-19-A1/ XI6-18,5-B1	XI6-WR-18,5-400-3-50-DOL-B1	6073529	-	-
Xiro SPI6.30-20-A1/ XI6-18,5-B1	XI6-WR-18,5-400-3-50-DOL-B1	6073530	-	-
Xiro SPI6.30-21-A1/ XI6-18,5-B1	XI6-WR-18,5-400-3-50-DOL-B1	6073531	-	-

Dimension drawing (variable)

Wilo-Xiro SPI



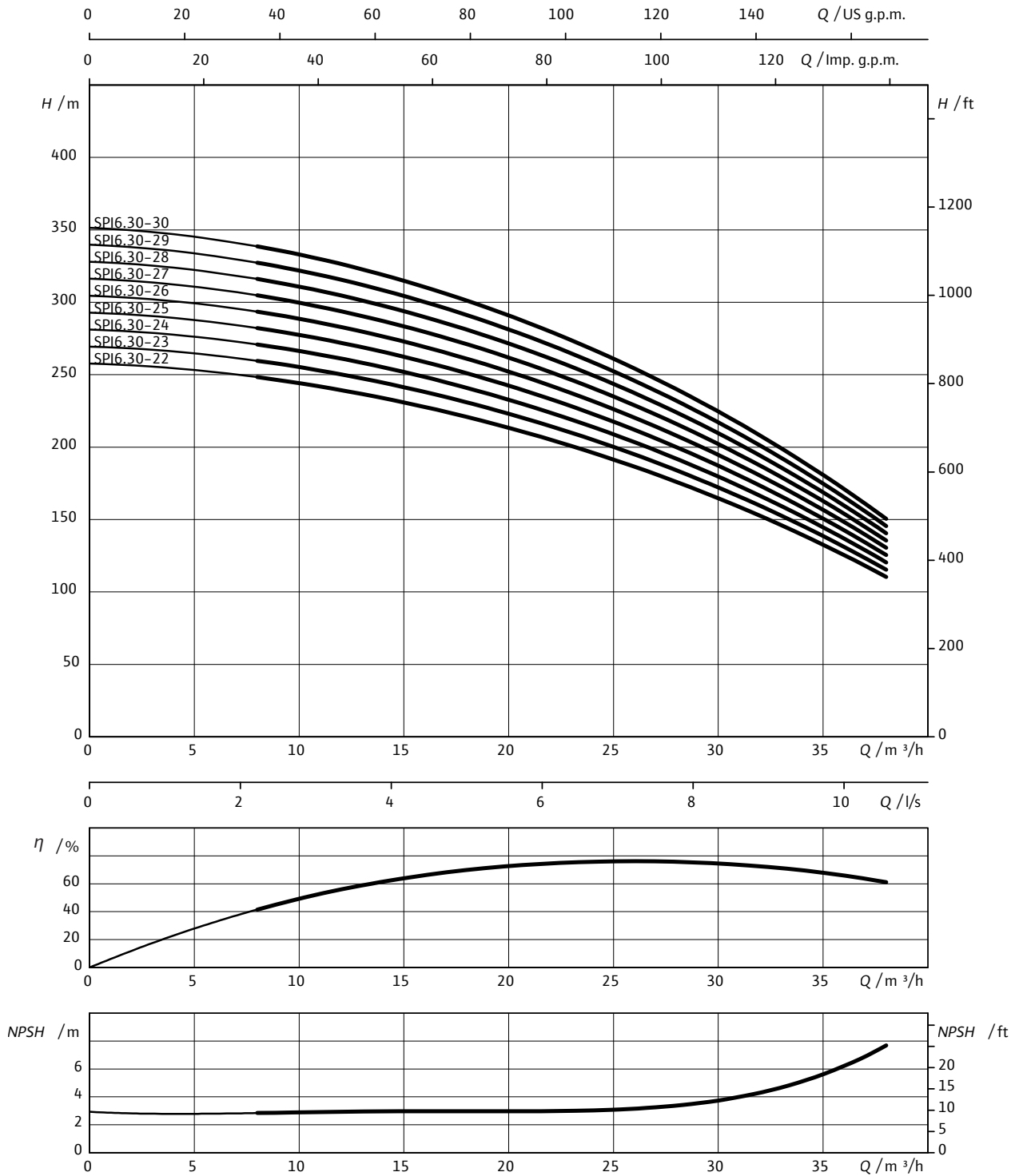
Dimensions, weights

Type	Dimensions						Net weight, approx. m kg	Installation approx.
	H1	H2 mm	H	C1	Ø mm	M		
Xiro SPI6.30-13-A1/ XI6-11-B1	1504	778	2282	-	132	142	91	V+H 1)
Xiro SPI6.30-14-A1/ XI6-13-B1	1599	838	2437	-	132	142	98	V+H 1)
Xiro SPI6.30-15-A1/ XI6-13-B1	1694	838	2532	-	132	142	101	V+H 1)
Xiro SPI6.30-16-A1/ XI6-15-B1	1789	900	2689	-	132	142	110	V+H 1)
Xiro SPI6.30-17-A1/ XI6-15-B1	1884	900	2784	-	132	142	112	V+H 1)
Xiro SPI6.30-18-A1/ XI6-18,5-B1	1979	933	2912	-	132	142	118	V+H 1)
Xiro SPI6.30-19-A1/ XI6-18,5-B1	2074	933	3007	-	132	142	120	V+H 1)
Xiro SPI6.30-20-A1/ XI6-18,5-B1	2169	933	3102	-	132	142	122	V+H 1)
Xiro SPI6.30-21-A1/ XI6-18,5-B1	2264	933	3197	-	132	142	124	V+H 1)

Pump with non-return valve, ¹⁾ On request, ³⁾ Max. Ø for power cable configuration in accordance with I_n

Pump curve

Xiro SPI 6.30



3~400 V, 50 Hz, $\rho = 1 \text{ kg/dm}^3$, $\nu = 1 \times 10^{-6} \text{ m}^2/\text{s}$, ISO 9906 Annex A

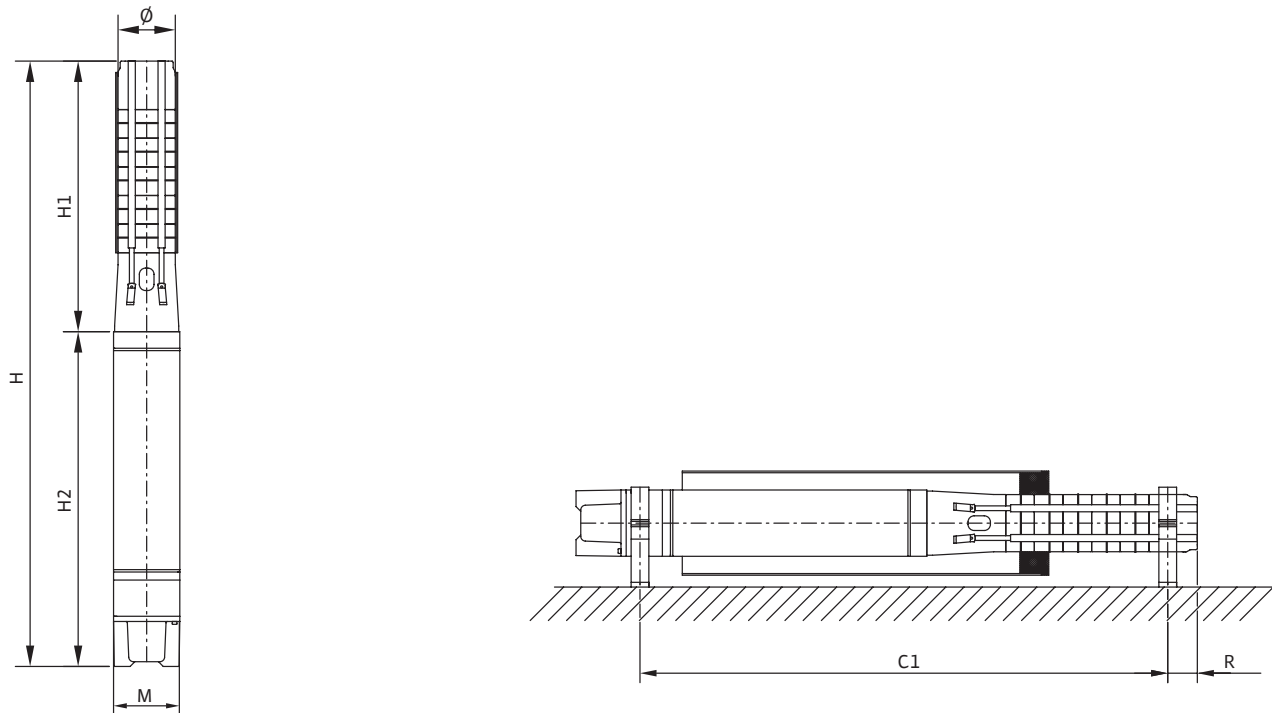
Subject to change without prior notice – Version dated June 2020.

Motor data						
	Motor diameter	Mains connection	Rated power	Rated current	Connection cable length	Cable cross-section
	DM in		P_2 kW	I_N A	D m	mm ²
Xiro SPI6.30-22-A1/ XI6-22-B1	6	3~400 V, 50 Hz	22	46.7	4.3	3x6
Xiro SPI6.30-23-A1/ XI6-22-B1	6	3~400 V, 50 Hz	22	46.7	4.3	3x6
Xiro SPI6.30-24-A1/ XI6-22-B1	6	3~400 V, 50 Hz	22	46.7	4.3	3x6
Xiro SPI6.30-25-A1/ XI6-22-B1	6	3~400 V, 50 Hz	22	46.7	4.3	3x6
Xiro SPI6.30-26-A1/ XI6-22-B1	6	3~400 V, 50 Hz	22	46.7	4.3	3x6
Xiro SPI6.30-27-A1/ XI6-26,5-B1	6	3~400 V, 50 Hz	26.5	54.9	4.3	3x6
Xiro SPI6.30-28-A1/ XI6-26,5-B1	6	3~400 V, 50 Hz	26.5	54.9	4.3	3x6
Xiro SPI6.30-29-A1/ XI6-26,5-B1	6	3~400 V, 50 Hz	26.5	54.9	4.3	3x6
Xiro SPI6.30-30-A1/ XI6-26,5-B1	6	3~400 V, 50 Hz	26.5	54.9	4.3	3x6

Information for order placements				
	Name	Art. no.	Item no. for jacket pipe cooling (vertical)	Item no. for jacket pipe cooling (horizontal)
Xiro SPI6.30-22-A1/ XI6-22-B1	XI6-WR-22-400-3-50-DOL-B1	6073532	-	-
Xiro SPI6.30-23-A1/ XI6-22-B1	XI6-WR-22-400-3-50-DOL-B1	6073533	-	-
Xiro SPI6.30-24-A1/ XI6-22-B1	XI6-WR-22-400-3-50-DOL-B1	6073534	-	-
Xiro SPI6.30-25-A1/ XI6-22-B1	XI6-WR-22-400-3-50-DOL-B1	6073535	-	-
Xiro SPI6.30-26-A1/ XI6-22-B1	XI6-WR-22-400-3-50-DOL-B1	6073536	-	-
Xiro SPI6.30-27-A1/ XI6-26,5-B1	XI6-WR-26,5-400-3-50-DOL-B1	6073537	-	-
Xiro SPI6.30-28-A1/ XI6-26,5-B1	XI6-WR-26,5-400-3-50-DOL-B1	6073538	-	-
Xiro SPI6.30-29-A1/ XI6-26,5-B1	XI6-WR-26,5-400-3-50-DOL-B1	6073539	-	-
Xiro SPI6.30-30-A1/ XI6-26,5-B1	XI6-WR-26,5-400-3-50-DOL-B1	6073540	-	-

Dimension drawing (variable)

Wilo-Xiro SPI



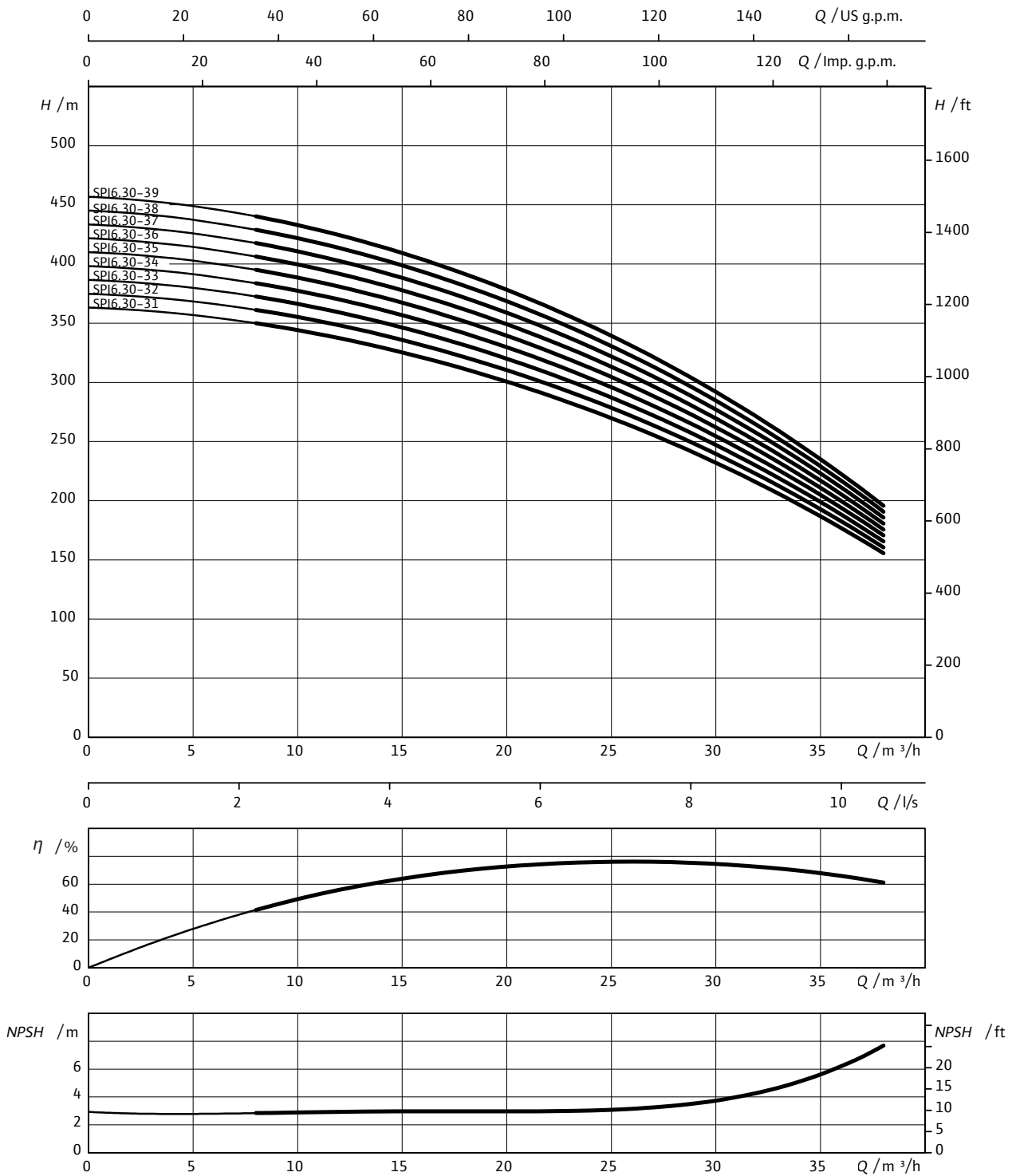
Dimensions, weights

Type	Dimensions						Net weight, approx. m kg	Installation approx.
	H1	H2 mm	H	C1	Ø mm	M		
Xiro SPI6.30-22-A1/ XI6-22-B1	2359	1033	3392	-	132	142	137	V+H 1)
Xiro SPI6.30-23-A1/ XI6-22-B1	2454	1033	3487	-	132	142	139	V+H 1)
Xiro SPI6.30-24-A1/ XI6-22-B1	2549	1033	3582	-	132	142	141	V+H 1)
Xiro SPI6.30-25-A1/ XI6-22-B1	2644	1033	3677	-	132	142	143	V+H 1)
Xiro SPI6.30-26-A1/ XI6-22-B1	2739	1033	3772	-	132	142	145	V+H 1)
Xiro SPI6.30-27-A1/ XI6-26,5-B1	2834	1144	3978	-	132	142	158	V+H 1)
Xiro SPI6.30-28-A1/ XI6-26,5-B1	2929	1144	4073	-	132	142	161	V+H 1)
Xiro SPI6.30-29-A1/ XI6-26,5-B1	3024	1144	4168	-	132	142	163	V+H 1)
Xiro SPI6.30-30-A1/ XI6-26,5-B1	3119	1144	4263	-	132	142	165	V+H 1)

Pump with non-return valve, ¹⁾ On request, ³⁾ Max. Ø for power cable configuration in accordance with I_N

Pump curve

Xiro SPI 6.30



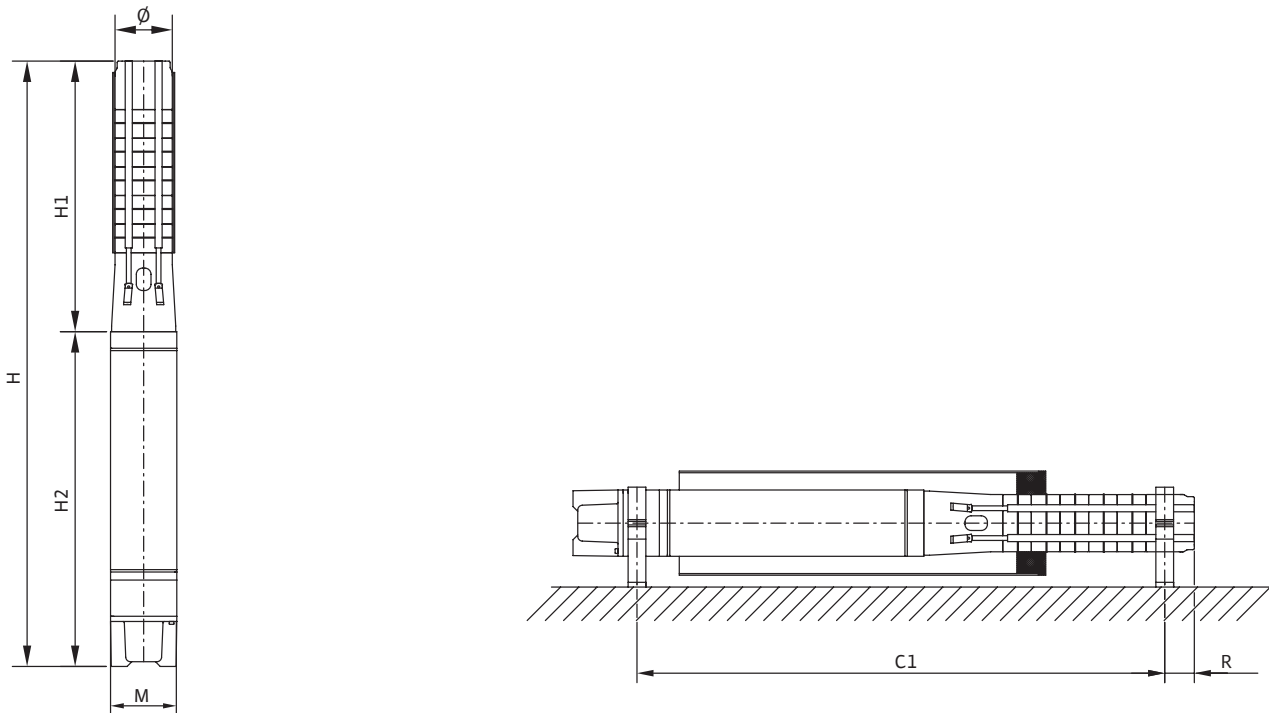
3~400 V, 50 Hz, $\rho = 1 \text{ kg/dm}^3$, $\nu = 1 \times 10^{-6} \text{ m}^2/\text{s}$, ISO 9906 Annex A

Motor data						
	Motor diameter	Mains connection	Rated power	Rated current	Connection cable length	Cable cross-section
	DM in		P_2 kW	I_N A	D m	mm ²
Xiro SPI6.30-31-A1/ XI6-30-B1	6	3~400 V, 50 Hz	30	62.1	4.3	3x6
Xiro SPI6.30-32-A1/ XI6-30-B1	6	3~400 V, 50 Hz	30	62.1	4.3	3x6
Xiro SPI6.30-33-A1/ XI6-30-B1	6	3~400 V, 50 Hz	30	62.1	4.3	3x6
Xiro SPI6.30-34-A1/ XI6-30-B1	6	3~400 V, 50 Hz	30	62.1	4.3	3x6
Xiro SPI6.30-35-A1/ XI6-30-B1	6	3~400 V, 50 Hz	30	62.1	4.3	3x6
Xiro SPI6.30-36-A1/ XI6-30-B1	6	3~400 V, 50 Hz	30	62.1	4.3	3x6
Xiro SPI6.30-37-A1/ XI6-30-B1	6	3~400 V, 50 Hz	30	62.1	4.3	3x6
Xiro SPI6.30-38-A1/ XI6-30-B1	6	3~400 V, 50 Hz	30	62.1	4.3	3x6
Xiro SPI6.30-39-A1/ XI6-37-B1	6	3~400 V, 50 Hz	37	76.7	4.3	3x6

Information for order placements				
	Name	Art. no.	Item no. for jacket pipe cooling (vertical)	Item no. for jacket pipe cooling (horizontal)
Xiro SPI6.30-31-A1/ XI6-30-B1	XI6-WR-30-400-3-50-DOL-B1	6073541	-	-
Xiro SPI6.30-32-A1/ XI6-30-B1	XI6-WR-30-400-3-50-DOL-B1	6073542	-	-
Xiro SPI6.30-33-A1/ XI6-30-B1	XI6-WR-30-400-3-50-DOL-B1	6073543	-	-
Xiro SPI6.30-34-A1/ XI6-30-B1	XI6-WR-30-400-3-50-DOL-B1	6073544	-	-
Xiro SPI6.30-35-A1/ XI6-30-B1	XI6-WR-30-400-3-50-DOL-B1	6073545	-	-
Xiro SPI6.30-36-A1/ XI6-30-B1	XI6-WR-30-400-3-50-DOL-B1	6073546	-	-
Xiro SPI6.30-37-A1/ XI6-30-B1	XI6-WR-30-400-3-50-DOL-B1	6073547	-	-
Xiro SPI6.30-38-A1/ XI6-30-B1	XI6-WR-30-400-3-50-DOL-B1	6073548	-	-
Xiro SPI6.30-39-A1/ XI6-37-B1	XI6-WR-37-400-3-50-DOL-B1	6073549	-	-

Dimension drawing (variable)

Wilo-Xiro SPI



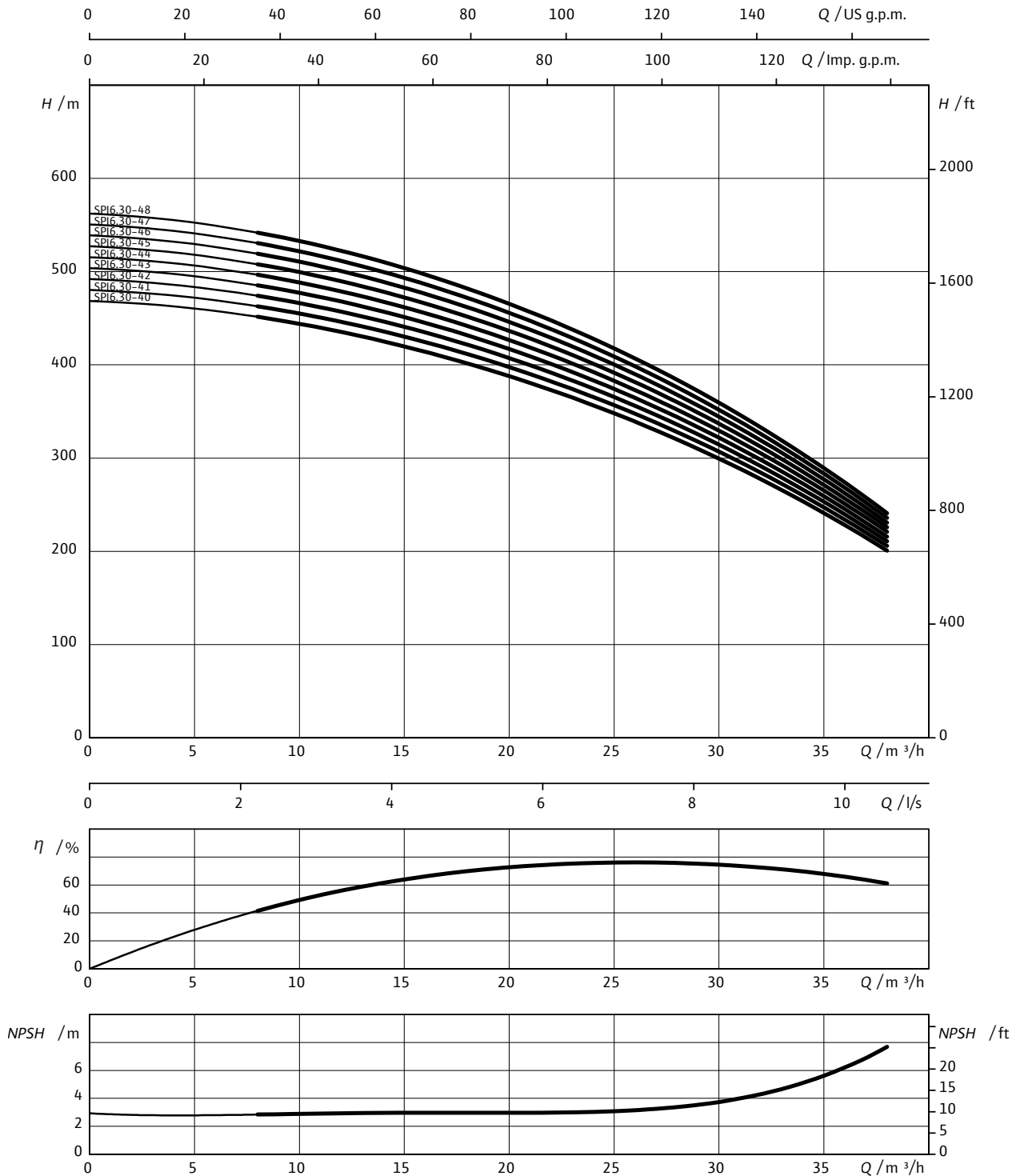
Dimensions, weights

Type	Dimensions						Net weight, approx. m kg	Installation approx.
	H1	H2 mm	H	C1	Ø mm	M		
Xiro SPI6.30-31-A1/ XI6-30-B1	3214	1174	4388	-	132	142	172	V+H 1)
Xiro SPI6.30-32-A1/ XI6-30-B1	3309	1174	4383	-	132	142	174	V+H 1)
Xiro SPI6.30-33-A1/ XI6-30-B1	3404	1174	4578	-	132	142	176	V+H 1)
Xiro SPI6.30-34-A1/ XI6-30-B1	3499	1174	4673	-	132	142	178	V+H 1)
Xiro SPI6.30-35-A1/ XI6-30-B1	3594	1174	4768	-	132	142	180	V+H 1)
Xiro SPI6.30-36-A1/ XI6-30-B1	3689	1174	4863	-	132	142	182	V+H 1)
Xiro SPI6.30-37-A1/ XI6-30-B1	3784	1174	4958	-	132	142	184	V+H 1)
Xiro SPI6.30-38-A1/ XI6-30-B1	3879	1174	5053	-	132	142	186	V+H 1)
Xiro SPI6.30-39-A1/ XI6-37-B1	4224	1274	5498	-	167	142	234	V

Pump with non-return valve, ¹⁾ On request, ³⁾ Max. Ø for power cable configuration in accordance with I_n

Pump curve

Xiro SPI 6.30



3~400 V, 50 Hz, $\rho = 1 \text{ kg/dm}^3$, $\nu = 1 \times 10^{-6} \text{ m}^2/\text{s}$, ISO 9906 Annex A

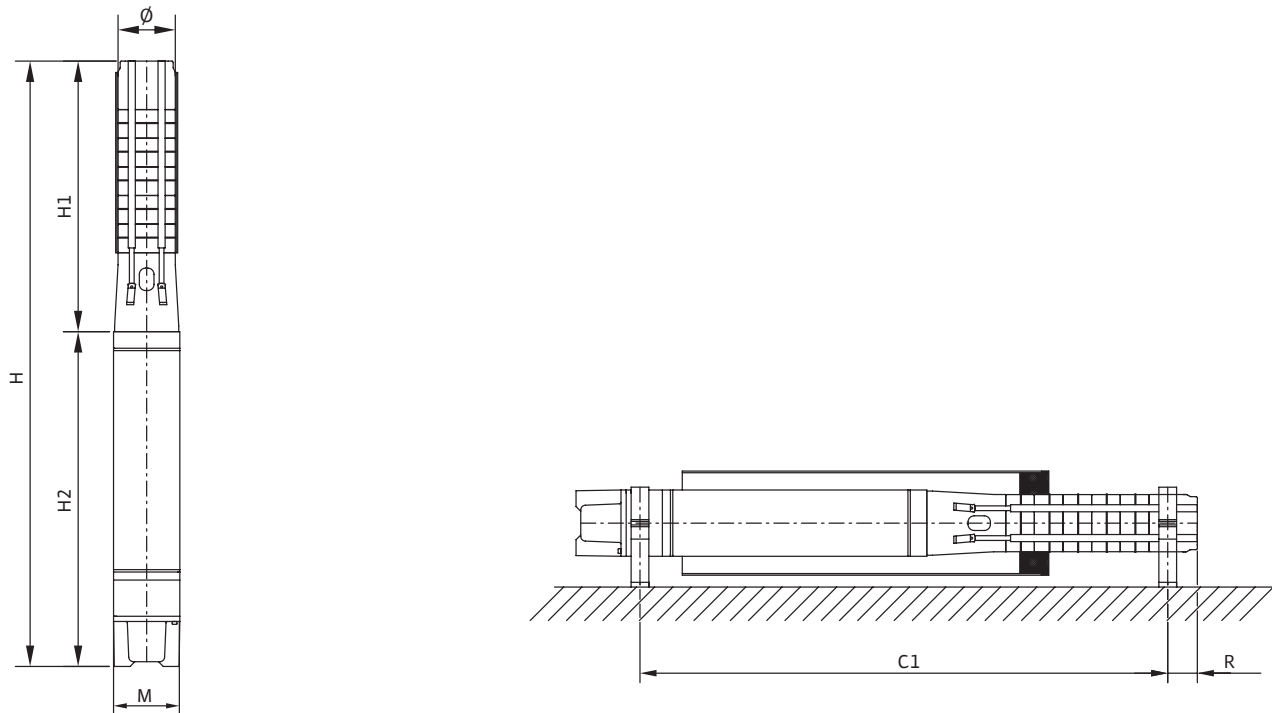
Subject to change without prior notice – Version dated June 2020.

Motor data						
	Motor diameter	Mains connection	Rated power	Rated current	Connection cable length	Cable cross-section
	DM in		P_2 kW	I_N A	D m	mm ²
Xiro SPI6.30-40-A1/ XI6-37-B1	6	3~400 V, 50 Hz	37	76.7	4.3	3x6
Xiro SPI6.30-41-A1/ XI6-37-B1	6	3~400 V, 50 Hz	37	76.7	4.3	3x6
Xiro SPI6.30-42-A1/ XI6-37-B1	6	3~400 V, 50 Hz	37	76.7	4.3	3x6
Xiro SPI6.30-43-A1/ XI7-45-B1	7	3~400 V, 50 Hz	45	87.8	4.3	3x16
Xiro SPI6.30-44-A1/ XI7-45-B1	7	3~400 V, 50 Hz	45	87.8	4.3	3x16
Xiro SPI6.30-45-A1/ XI7-45-B1	7	3~400 V, 50 Hz	45	87.8	4.3	3x16
Xiro SPI6.30-46-A1/ XI7-45-B1	7	3~400 V, 50 Hz	45	87.8	4.3	3x16
Xiro SPI6.30-47-A1/ XI7-45-B1	7	3~400 V, 50 Hz	45	87.8	4.3	3x16
Xiro SPI6.30-48-A1/ XI7-45-B1	7	3~400 V, 50 Hz	45	87.8	4.3	3x16

Information for order placements				
	Name	Art. no.	Item no. for jacket pipe cooling (vertical)	Item no. for jacket pipe cooling (horizontal)
Xiro SPI6.30-40-A1/ XI6-37-B1	XI6-WR-37-400-3-50-DOL-B1	6073550	-	-
Xiro SPI6.30-41-A1/ XI6-37-B1	XI6-WR-37-400-3-50-DOL-B1	6073551	-	-
Xiro SPI6.30-42-A1/ XI6-37-B1	XI6-WR-37-400-3-50-DOL-B1	6073552	-	-
Xiro SPI6.30-43-A1/ XI7-45-B1	XI7-WR-45-400-3-50-DOL-B1	6073553	-	-
Xiro SPI6.30-44-A1/ XI7-45-B1	XI7-WR-45-400-3-50-DOL-B1	6073554	-	-
Xiro SPI6.30-45-A1/ XI7-45-B1	XI7-WR-45-400-3-50-DOL-B1	6073555	-	-
Xiro SPI6.30-46-A1/ XI7-45-B1	XI7-WR-45-400-3-50-DOL-B1	6073556	-	-
Xiro SPI6.30-47-A1/ XI7-45-B1	XI7-WR-45-400-3-50-DOL-B1	6073557	-	-
Xiro SPI6.30-48-A1/ XI7-45-B1	XI7-WR-45-400-3-50-DOL-B1	6073558	-	-

Dimension drawing (variable)

Wilo-Xiro SPI



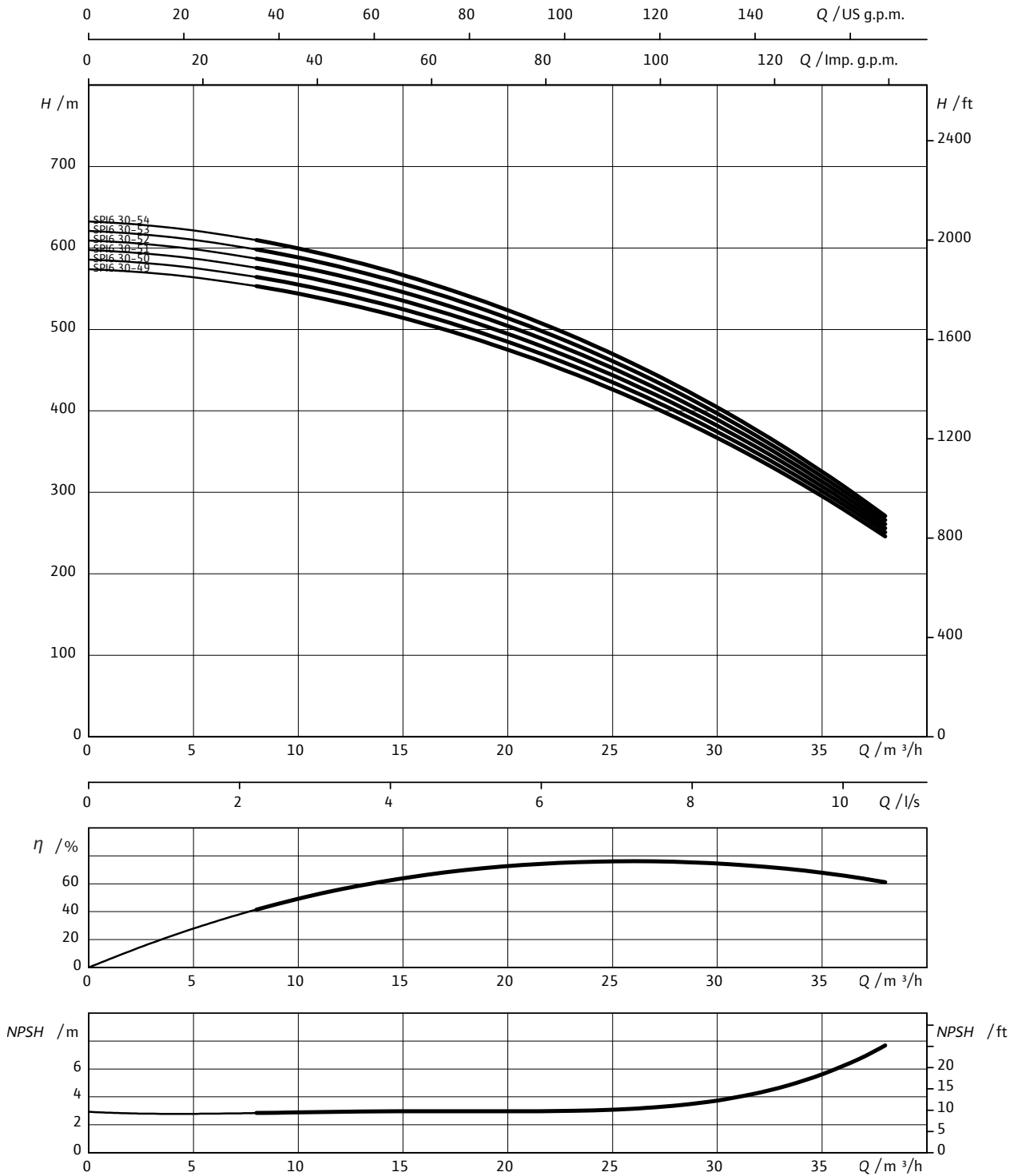
Dimensions, weights

Type	Dimensions						Net weight, approx. m kg	Installation approx.
	H1	H2 mm	H	C1	Ø mm	M		
Xiro SPI6.30-40-A1/ XI6-37-B1	4319	1274	5593	-	167	142	236	V
Xiro SPI6.30-41-A1/ XI6-37-B1	4414	1274	5688	-	167	142	239	V
Xiro SPI6.30-42-A1/ XI6-37-B1	4509	1274	5783	-	167	142	242	V
Xiro SPI6.30-43-A1/ XI7-45-B1	4604	1066	5670	-	167	172	261	V
Xiro SPI6.30-44-A1/ XI7-45-B1	4699	1066	5765	-	167	172	264	V
Xiro SPI6.30-45-A1/ XI7-45-B1	4794	1066	5860	-	167	172	266	V
Xiro SPI6.30-46-A1/ XI7-45-B1	4889	1066	5955	-	167	172	269	V
Xiro SPI6.30-47-A1/ XI7-45-B1	4984	1066	6050	-	167	172	272	V
Xiro SPI6.30-48-A1/ XI7-45-B1	5079	1066	6145	-	167	172	274	V

Pump with non-return valve, ¹⁾ On request, ³⁾ Max. Ø for power cable configuration in accordance with I_N

Pump curve

Xiro SPI 6.30



3~400 V, 50 Hz, $\rho = 1 \text{ kg/dm}^3$, $\nu = 1 \times 10^{-6} \text{ m}^2/\text{s}$, ISO 9906 Annex A

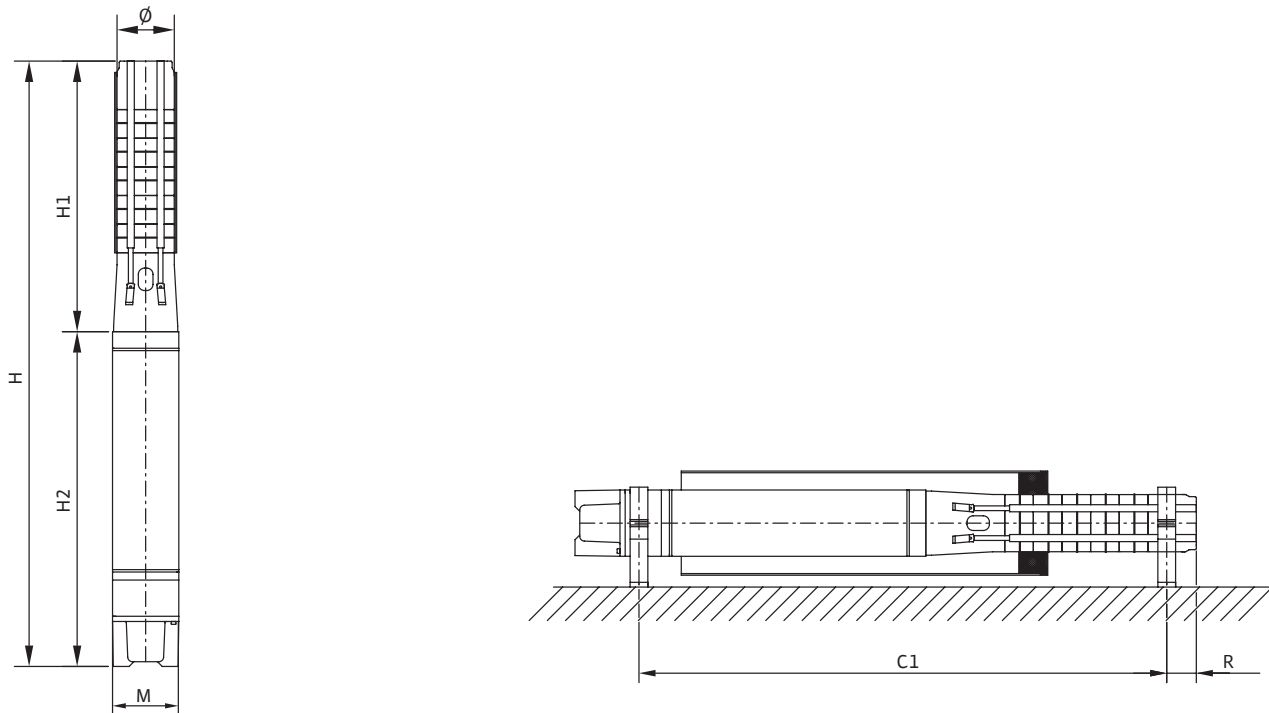
Subject to change without prior notice – Version dated June 2020.

Motor data						
	Motor diameter	Mains connection	Rated power	Rated current	Connection cable length	Cable cross-section
	DM in		P_2 kW	I_N A	D m	mm ²
Xiro SPI6.30-49-A1/ XI7-45-B1	7	3~400 V, 50 Hz	45	87.8	4.3	3x16
Xiro SPI6.30-50-A1/ XI7-45-B1	7	3~400 V, 50 Hz	45	87.8	4.3	3x16
Xiro SPI6.30-51-A1/ XI7-45-B1	7	3~400 V, 50 Hz	45	87.8	4.3	3x16
Xiro SPI6.30-52-A1/ XI7-52-B1	7	3~400 V, 50 Hz	52	102.7	4.3	3x16
Xiro SPI6.30-53-A1/ XI7-52-B1	7	3~400 V, 50 Hz	52	102.7	4.3	3x16
Xiro SPI6.30-54-A1/ XI7-52-B1	7	3~400 V, 50 Hz	52	102.7	4.3	3x16

Information for order placements				
	Name	Art. no.	Item no. for jacket pipe cooling (vertical)	Item no. for jacket pipe cooling (horizontal)
Xiro SPI6.30-49-A1/ XI7-45-B1	XI7-WR-45-400-3-50-DOL-B1	6073559	-	-
Xiro SPI6.30-50-A1/ XI7-45-B1	XI7-WR-45-400-3-50-DOL-B1	6073560	-	-
Xiro SPI6.30-51-A1/ XI7-45-B1	XI7-WR-45-400-3-50-DOL-B1	6073561	-	-
Xiro SPI6.30-52-A1/ XI7-52-B1	XI7-WR-52-400-3-50-DOL-B1	6073562	-	-
Xiro SPI6.30-53-A1/ XI7-52-B1	XI7-WR-52-400-3-50-DOL-B1	6073563	-	-
Xiro SPI6.30-54-A1/ XI7-52-B1	XI7-WR-52-400-3-50-DOL-B1	6073564	-	-

Dimension drawing (variable)

Wilo-Xiro SPI



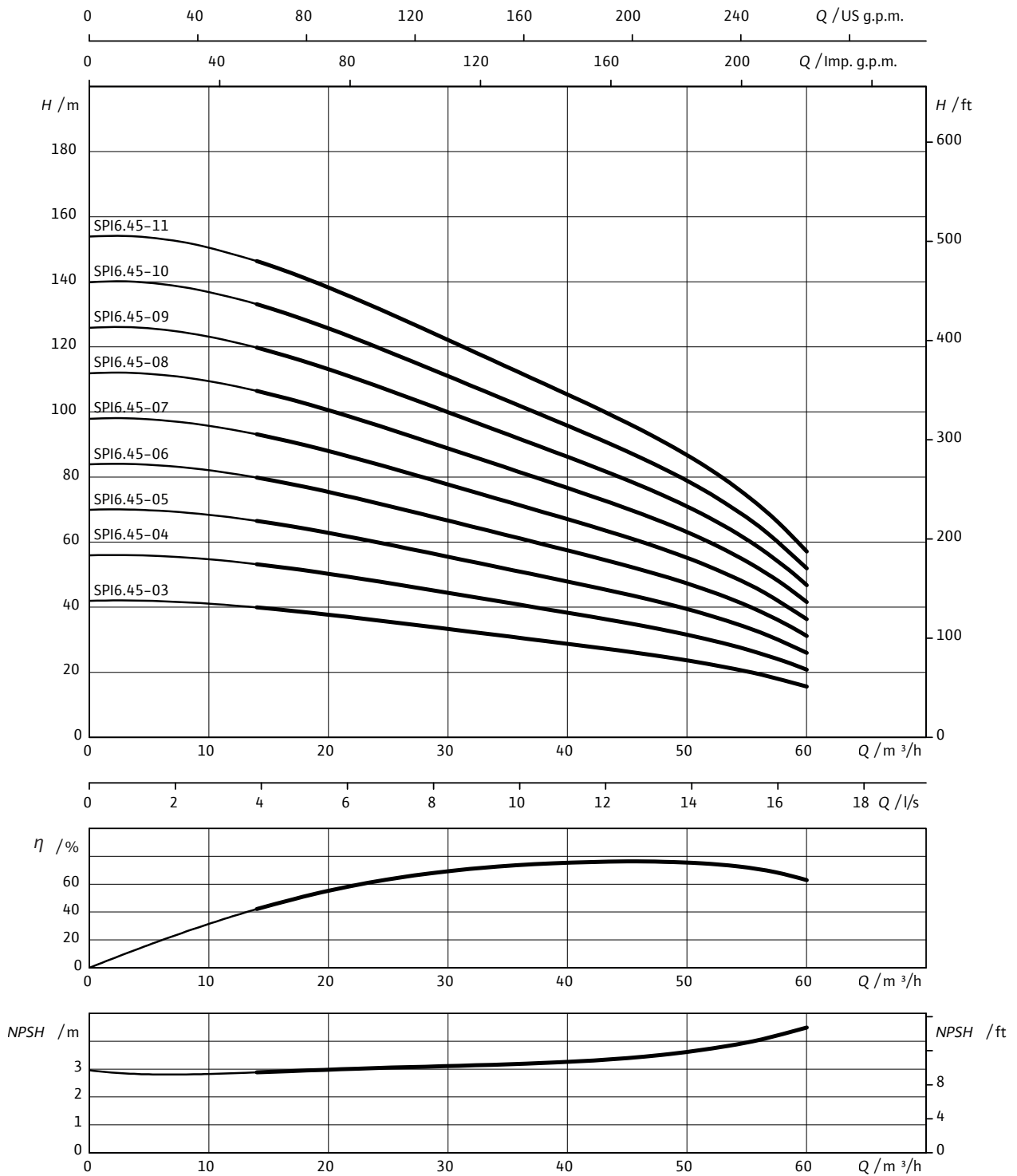
Dimensions, weights

Type	Dimensions						Net weight, approx. m kg	Installation approx.
	H1	H2 mm	H	C1	ϕ mm	M		
Xiro SPI6.30-49-A1/ XI7-45-B1	5174	1066	6240	-	167	172	277	V
Xiro SPI6.30-50-A1/ XI7-45-B1	5269	1066	6335	-	167	172	279	V
Xiro SPI6.30-51-A1/ XI7-45-B1	5364	1066	6430	-	167	172	282	V
Xiro SPI6.30-52-A1/ XI7-52-B1	5459	1145	6604	-	167	172	296	V
Xiro SPI6.30-53-A1/ XI7-52-B1	5554	1145	6699	-	167	172	298	V
Xiro SPI6.30-54-A1/ XI7-52-B1	5649	1145	6794	-	167	172	301	V

Pump with non-return valve, ³⁾ On request, ³⁾ Max. ϕ for power cable configuration in accordance with I_n

Pump curve

Xiro SPI 6.45



3~400 V, 50 Hz, $\rho = 1 \text{ kg/dm}^3$, $\nu = 1 \times 10^{-6} \text{ m}^2/\text{s}$, ISO 9906 Annex A

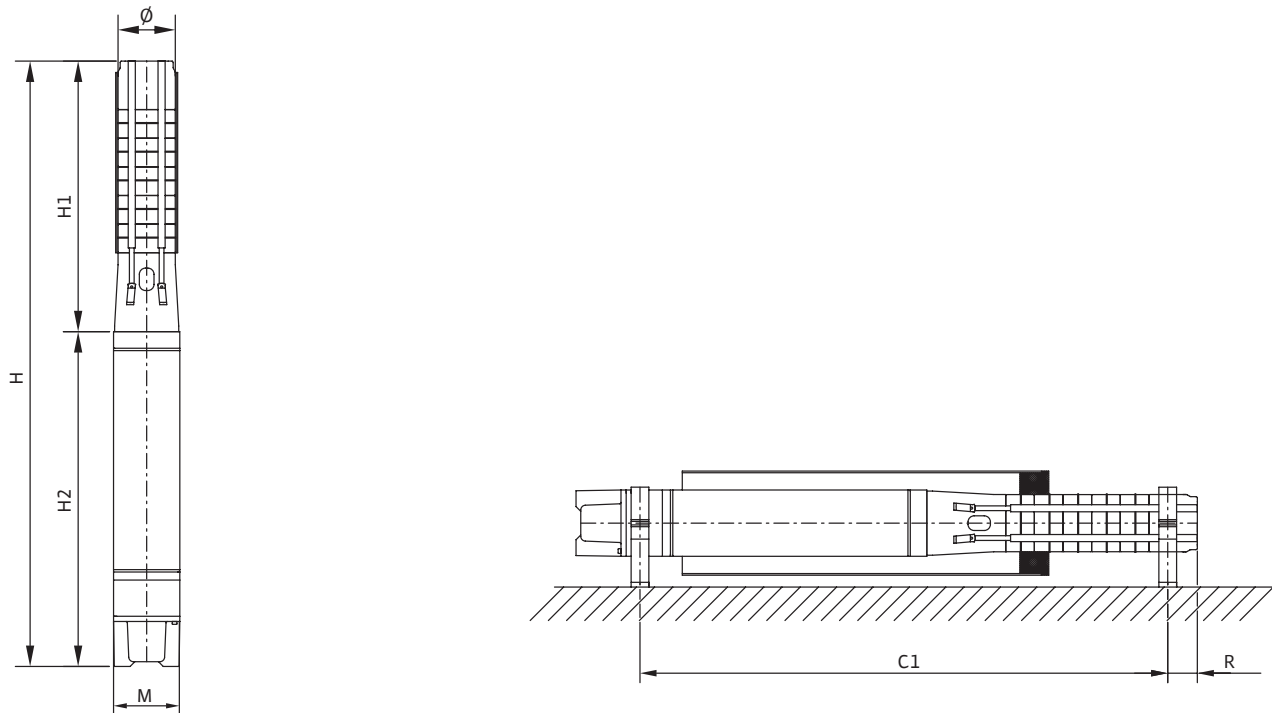
Subject to change without prior notice – Version dated June 2020.

Motor data						
	Motor diameter	Mains connection	Rated power	Rated current	Connection cable length	Cable cross-section
	DM in		P_2 kW	I_N A	D m	mm ²
Xiro SPI6.45-03-A1/ XI6-5,5-B1	6	3~400 V, 50 Hz	5.5	12.8	4.3	3x2,5
Xiro SPI6.45-04-A1/ XI6-7,5-B1	6	3~400 V, 50 Hz	7.5	16.5	4.3	3x2,5
Xiro SPI6.45-05-A1/ XI6-7,5-B1	6	3~400 V, 50 Hz	7.5	16.5	4.3	3x2,5
Xiro SPI6.45-06-A1/ XI6-9,3-B1	6	3~400 V, 50 Hz	9.3	20.2	4.3	3x2,5
Xiro SPI6.45-07-A1/ XI6-11-B1	6	3~400 V, 50 Hz	11	22.8	4.3	3x4
Xiro SPI6.45-08-A1/ XI6-13-B1	6	3~400 V, 50 Hz	13	27.6	4.3	3x4
Xiro SPI6.45-09-A1/ XI6-15-B1	6	3~400 V, 50 Hz	15	32.2	4.3	3x4
Xiro SPI6.45-10-A1/ XI6-18,5-B1	6	3~400 V, 50 Hz	18.5	40.2	4.3	3x4
Xiro SPI6.45-11-A1/ XI6-18,5-B1	6	3~400 V, 50 Hz	18.5	40.2	4.3	3x4

Information for order placements				
	Name	Art. no.	Item no. for jacket pipe cooling (vertical)	Item no. for jacket pipe cooling (horizontal)
Xiro SPI6.45-03-A1/ XI6-5,5-B1	XI6-WR-5,5-400-3-50-DOL-B1	6073568	-	-
Xiro SPI6.45-04-A1/ XI6-7,5-B1	XI6-WR-7,5-400-3-50-DOL-B1	6073569	-	-
Xiro SPI6.45-05-A1/ XI6-7,5-B1	XI6-WR-7,5-400-3-50-DOL-B1	6073570	-	-
Xiro SPI6.45-06-A1/ XI6-9,3-B1	XI6-WR-9,3-400-3-50-DOL-B1	6073571	-	-
Xiro SPI6.45-07-A1/ XI6-11-B1	XI6-WR-11-400-3-50-DOL-B1	6073572	-	-
Xiro SPI6.45-08-A1/ XI6-13-B1	XI6-WR-13-400-3-50-DOL-B1	6073573	-	-
Xiro SPI6.45-09-A1/ XI6-15-B1	XI6-WR-15-400-3-50-DOL-B1	6073574	-	-
Xiro SPI6.45-10-A1/ XI6-18,5-B1	XI6-WR-18,5-400-3-50-DOL-B1	6073575	-	-
Xiro SPI6.45-11-A1/ XI6-18,5-B1	XI6-WR-18,5-400-3-50-DOL-B1	6073576	-	-

Dimension drawing (variable)

Wilo-Xiro SPI



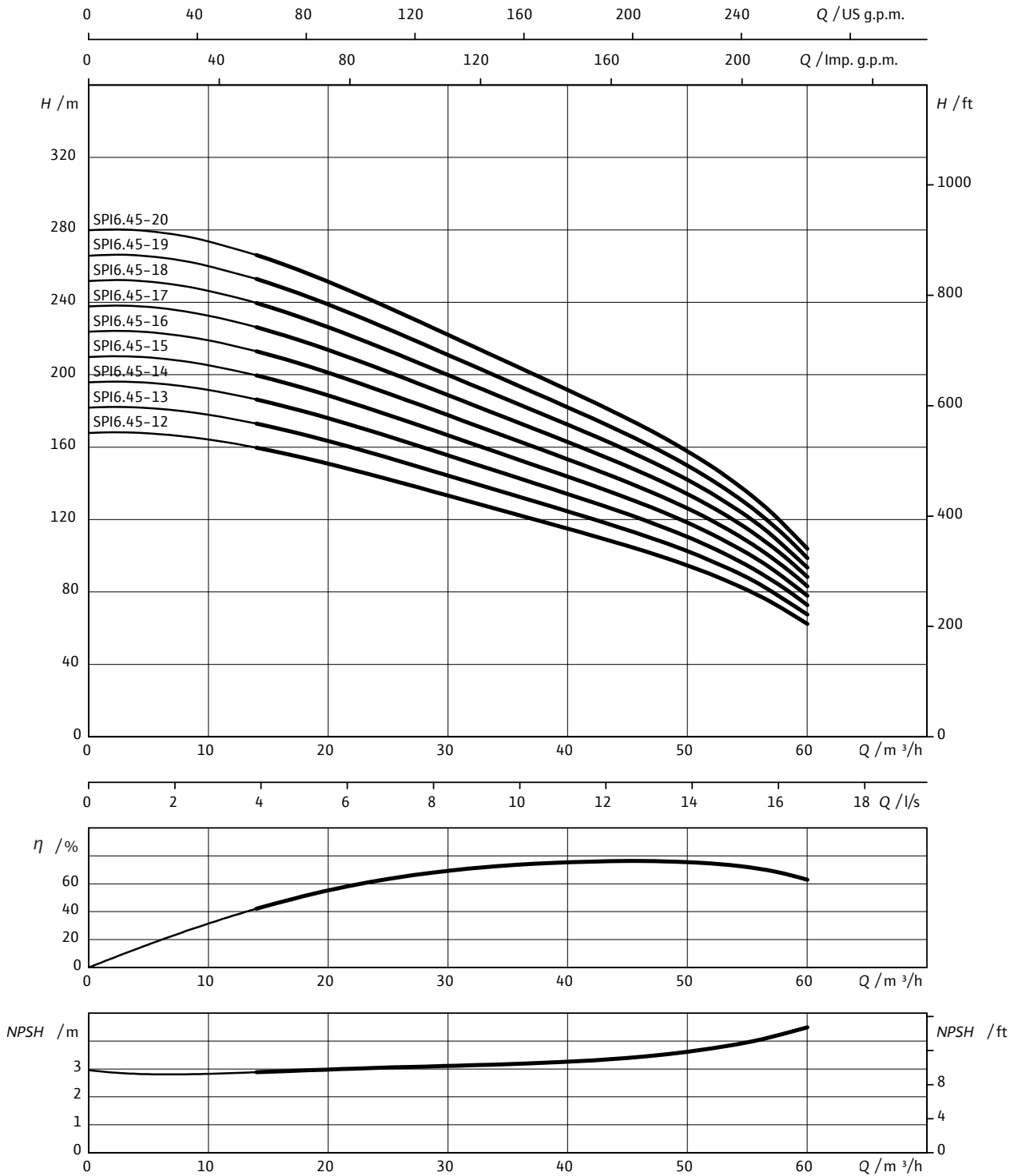
Dimensions, weights

Type	Dimensions						Net weight, approx. m kg	Installation approx.
	H1	H2 mm	H	C1	Ø mm	M		
Xiro SPI6.45-03-A1/ XI6-5,5-B1	606	605	1211	-	144	142	56	V+H 1)
Xiro SPI6.45-04-A1/ XI6-7,5-B1	718	685	1403	-	144	142	65	V+H 1)
Xiro SPI6.45-05-A1/ XI6-7,5-B1	830	685	1515	-	144	142	68	V+H 1)
Xiro SPI6.45-06-A1/ XI6-9,3-B1	942	727	1669	-	144	142	75	V+H 1)
Xiro SPI6.45-07-A1/ XI6-11-B1	1054	778	1832	-	144	142	83	V+H 1)
Xiro SPI6.45-08-A1/ XI6-13-B1	1166	838	2004	-	144	142	91	V+H 1)
Xiro SPI6.45-09-A1/ XI6-15-B1	1278	900	2178	-	144	142	100	V+H 1)
Xiro SPI6.45-10-A1/ XI6-18,5-B1	1390	933	2323	-	144	142	107	V+H 1)
Xiro SPI6.45-11-A1/ XI6-18,5-B1	1502	933	2435	-	144	142	110	V+H 1)

Pump with non-return valve, ¹⁾ On request, ³⁾ Max. Ø for power cable configuration in accordance with I_N

Pump curve

Xiro SPI 6.45



3~400 V, 50 Hz, $\rho = 1 \text{ kg/dm}^3$, $\nu = 1 \times 10^{-6} \text{ m}^2/\text{s}$, ISO 9906 Annex A

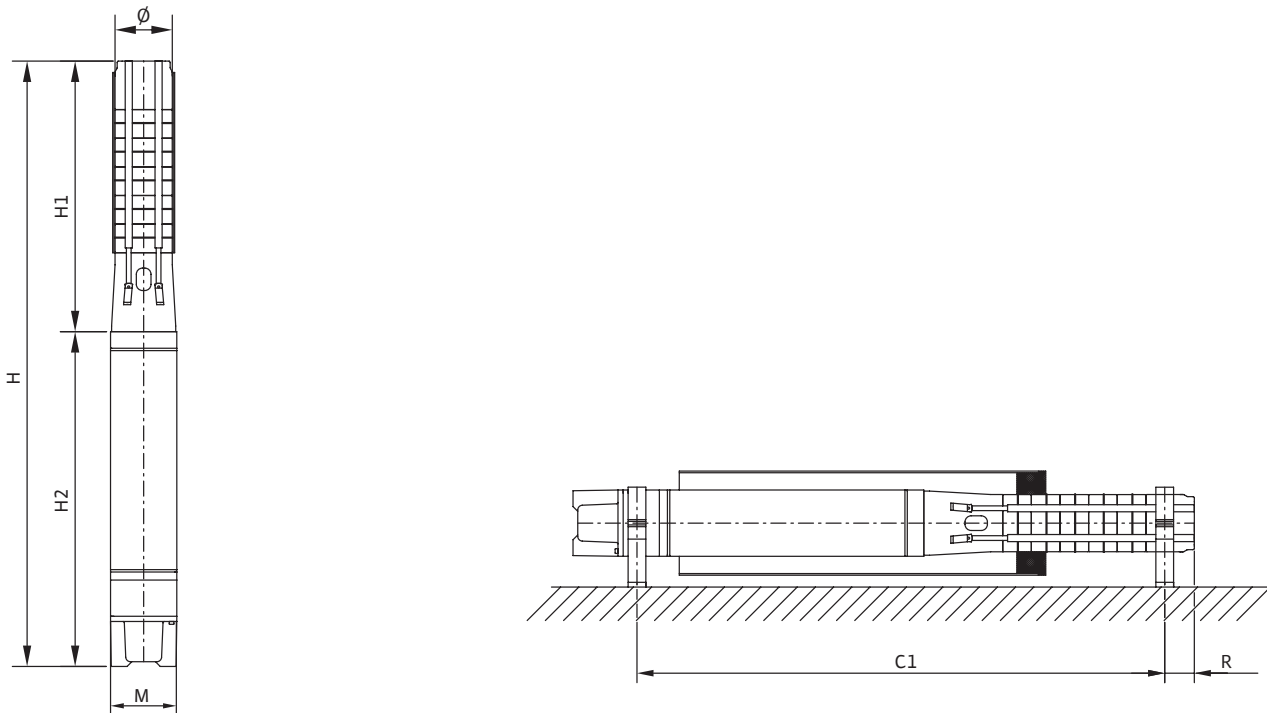
Subject to change without prior notice – Version dated June 2020.

Motor data						
	Motor diameter	Mains connection	Rated power	Rated current	Connection cable length	Cable cross-section
	DM in		P_2 kW	I_N A	D m	mm ²
Xiro SPI6.45-12-A1/ XI6-22-B1	6	3~400 V, 50 Hz	22	46.7	4.3	3x6
Xiro SPI6.45-13-A1/ XI6-22-B1	6	3~400 V, 50 Hz	22	46.7	4.3	3x6
Xiro SPI6.45-14-A1/ XI6-22-B1	6	3~400 V, 50 Hz	22	46.7	4.3	3x6
Xiro SPI6.45-15-A1/ XI6-26,5-B1	6	3~400 V, 50 Hz	26.5	54.9	4.3	3x6
Xiro SPI6.45-16-A1/ XI6-26,5-B1	6	3~400 V, 50 Hz	26.5	54.9	4.3	3x6
Xiro SPI6.45-17-A1/ XI6-30-B1	6	3~400 V, 50 Hz	30	62.1	4.3	3x6
Xiro SPI6.45-18-A1/ XI6-30-B1	6	3~400 V, 50 Hz	30	62.1	4.3	3x6
Xiro SPI6.45-19-A1/ XI6-37-B1	6	3~400 V, 50 Hz	37	76.7	4.3	3x6
Xiro SPI6.45-20-A1/ XI6-37-B1	6	3~400 V, 50 Hz	37	76.7	4.3	3x6

Information for order placements				
	Name	Art. no.	Item no. for jacket pipe cooling (vertical)	Item no. for jacket pipe cooling (horizontal)
Xiro SPI6.45-12-A1/ XI6-22-B1	XI6-WR-22-400-3-50-DOL-B1	6073577	-	-
Xiro SPI6.45-13-A1/ XI6-22-B1	XI6-WR-22-400-3-50-DOL-B1	6073578	-	-
Xiro SPI6.45-14-A1/ XI6-22-B1	XI6-WR-22-400-3-50-DOL-B1	6073579	-	-
Xiro SPI6.45-15-A1/ XI6-26,5-B1	XI6-WR-26,5-400-3-50-DOL-B1	6073580	-	-
Xiro SPI6.45-16-A1/ XI6-26,5-B1	XI6-WR-26,5-400-3-50-DOL-B1	6073581	-	-
Xiro SPI6.45-17-A1/ XI6-30-B1	XI6-WR-30-400-3-50-DOL-B1	6073582	-	-
Xiro SPI6.45-18-A1/ XI6-30-B1	XI6-WR-30-400-3-50-DOL-B1	6073583	-	-
Xiro SPI6.45-19-A1/ XI6-37-B1	XI6-WR-37-400-3-50-DOL-B1	6073584	-	-
Xiro SPI6.45-20-A1/ XI6-37-B1	XI6-WR-37-400-3-50-DOL-B1	6073585	-	-

Dimension drawing (variable)

Wilo-Xiro SPI



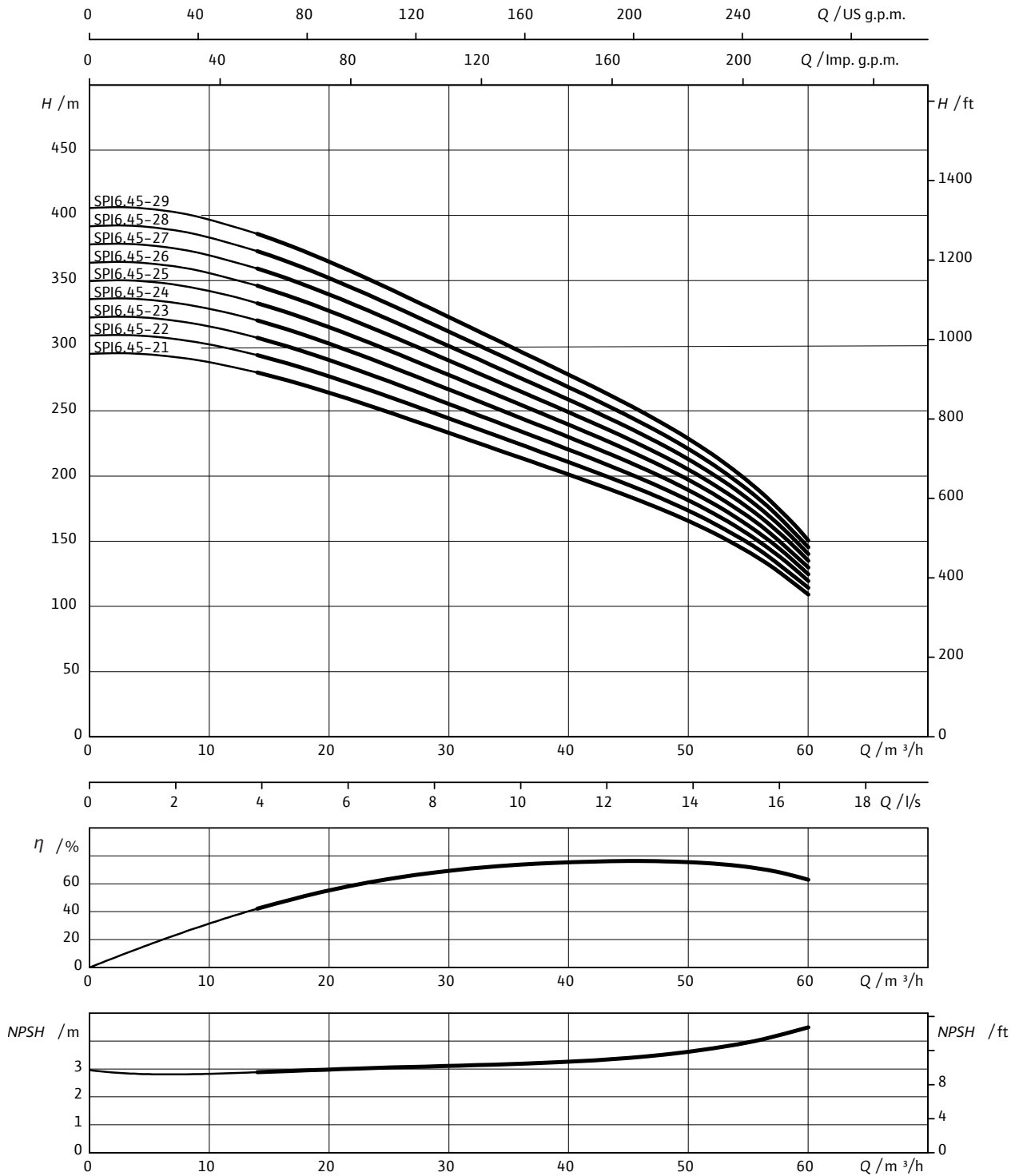
Dimensions, weights

Type	Dimensions						Net weight, approx. m kg	Installation approx.
	H1	H2 mm	H	C1	Ø mm	M		
Xiro SPI6.45-12-A1/ XI6-22-B1	1614	1033	2647	-	144	142	123	V+H 1)
Xiro SPI6.45-13-A1/ XI6-22-B1	1726	1033	2759	-	144	142	126	V+H 1)
Xiro SPI6.45-14-A1/ XI6-22-B1	1838	1033	2871	-	144	142	129	V+H 1)
Xiro SPI6.45-15-A1/ XI6-26,5-B1	1950	1144	3094	-	144	142	142	V+H 1)
Xiro SPI6.45-16-A1/ XI6-26,5-B1	2062	1144	3206	-	144	142	145	V+H 1)
Xiro SPI6.45-17-A1/ XI6-30-B1	2174	1174	3348	-	144	142	152	V+H 1)
Xiro SPI6.45-18-A1/ XI6-30-B1	2286	1174	3460	-	144	142	155	V+H 1)
Xiro SPI6.45-19-A1/ XI6-37-B1	2398	1274	3672	-	144	142	165	V+H 1)
Xiro SPI6.45-20-A1/ XI6-37-B1	2510	1274	3784	-	144	142	167	V+H 1)

Pump with non-return valve, ¹⁾ On request, ³⁾ Max. Ø for power cable configuration in accordance with I_N

Pump curve

Xiro SPI 6.45



3~400 V, 50 Hz, $\rho = 1 \text{ kg/dm}^3$, $\nu = 1 \times 10^{-6} \text{ m}^2/\text{s}$, ISO 9906 Annex A

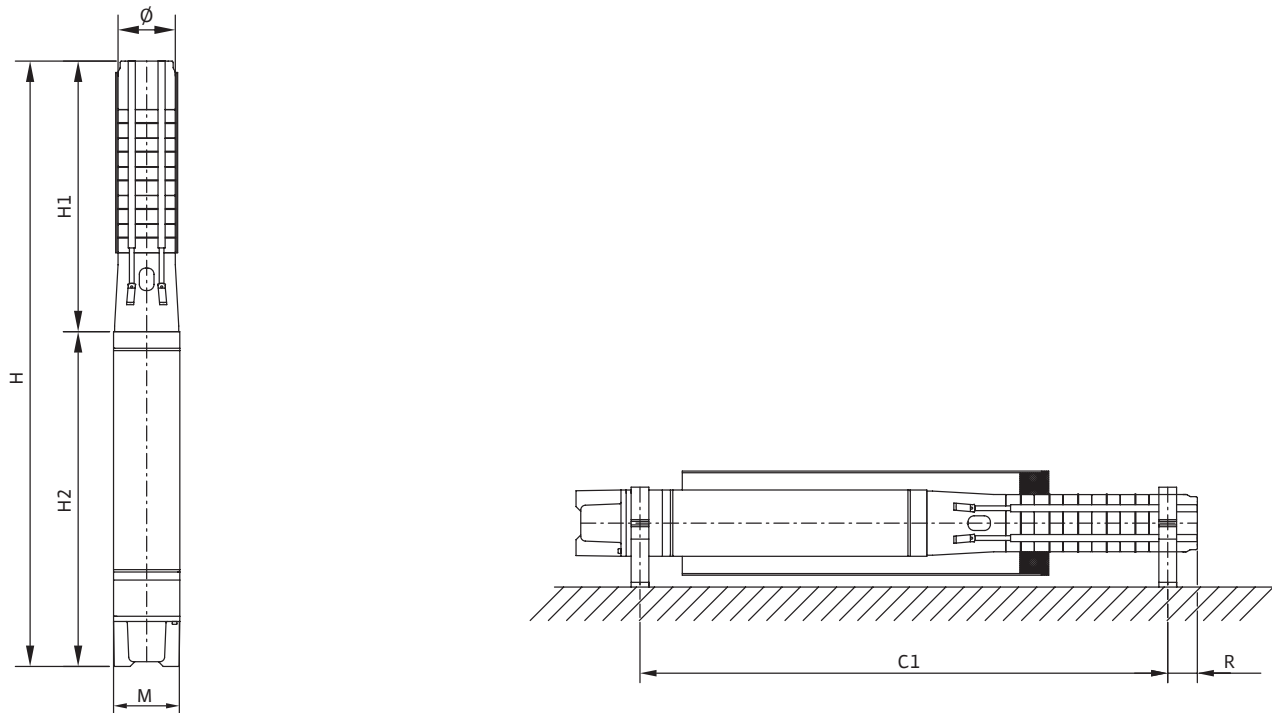
Subject to change without prior notice – Version dated June 2020.

Motor data						
	Motor diameter	Mains connection	Rated power	Rated current	Connection cable length	Cable cross-section
	DM in		P_2 kW	I_N A	D m	mm ²
Xiro SPI6.45-21-A1/ XI6-37-B1	6	3~400 V, 50 Hz	37	76.7	4.3	3x6
Xiro SPI6.45-22-A1/ XI6-37-B1	6	3~400 V, 50 Hz	37	76.7	4.3	3x6
Xiro SPI6.45-23-A1/ XI6-37-B1	6	3~400 V, 50 Hz	37	76.7	4.3	3x6
Xiro SPI6.45-24-A1/ XI7-45-B1	7	3~400 V, 50 Hz	45	87.8	4.3	3x16
Xiro SPI6.45-25-A1/ XI7-45-B1	7	3~400 V, 50 Hz	45	87.8	4.3	3x16
Xiro SPI6.45-26-A1/ XI7-45-B1	7	3~400 V, 50 Hz	45	87.8	4.3	3x16
Xiro SPI6.45-27-A1/ XI7-45-B1	7	3~400 V, 50 Hz	45	87.8	4.3	3x16
Xiro SPI6.45-28-A1/ XI7-45-B1	7	3~400 V, 50 Hz	45	87.8	4.3	3x16
Xiro SPI6.45-29-A1/ XI7-45-B1	7	3~400 V, 50 Hz	45	87.8	4.3	3x16

Information for order placements				
	Name	Art. no.	Item no. for jacket pipe cooling (vertical)	Item no. for jacket pipe cooling (horizontal)
Xiro SPI6.45-21-A1/ XI6-37-B1	XI6-WR-37-400-3-50-DOL-B1	6073586	-	-
Xiro SPI6.45-22-A1/ XI6-37-B1	XI6-WR-37-400-3-50-DOL-B1	6073587	-	-
Xiro SPI6.45-23-A1/ XI6-37-B1	XI6-WR-37-400-3-50-DOL-B1	6073588	-	-
Xiro SPI6.45-24-A1/ XI7-45-B1	XI7-WR-45-400-3-50-DOL-B1	6073589	-	-
Xiro SPI6.45-25-A1/ XI7-45-B1	XI7-WR-45-400-3-50-DOL-B1	6073590	-	-
Xiro SPI6.45-26-A1/ XI7-45-B1	XI7-WR-45-400-3-50-DOL-B1	6073591	-	-
Xiro SPI6.45-27-A1/ XI7-45-B1	XI7-WR-45-400-3-50-DOL-B1	6073592	-	-
Xiro SPI6.45-28-A1/ XI7-45-B1	XI7-WR-45-400-3-50-DOL-B1	6073593	-	-
Xiro SPI6.45-29-A1/ XI7-45-B1	XI7-WR-45-400-3-50-DOL-B1	6073594	-	-

Dimension drawing (variable)

Wilo-Xiro SPI



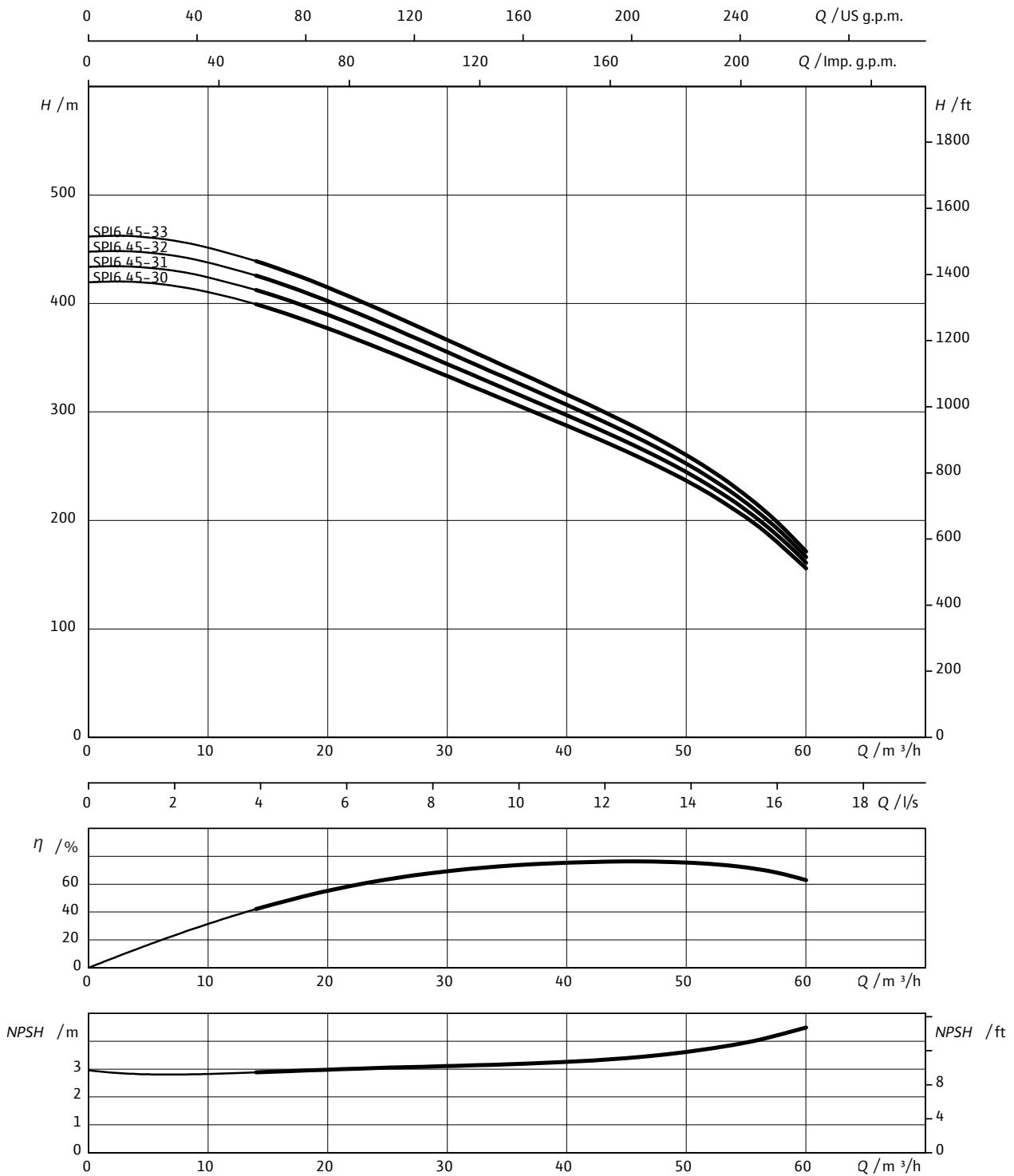
Dimensions, weights

Type	Dimensions						Net weight, approx. m kg	Installation approx.
	H1	H2 mm	H	C1	Ø mm	M		
Xiro SPI6.45-21-A1/ XI6-37-B1	2622	1274	3896	-	144	142	170	V+H 1)
Xiro SPI6.45-22-A1/ XI6-37-B1	2734	1274	4008	-	144	142	173	V+H 1)
Xiro SPI6.45-23-A1/ XI6-37-B1	2846	1274	4120	-	144	142	175	V+H 1)
Xiro SPI6.45-24-A1/ XI7-45-B1	2958	1066	4024	-	144	172	195	V+H 1)
Xiro SPI6.45-25-A1/ XI7-45-B1	3070	1066	4136	-	144	172	198	V+H 1)
Xiro SPI6.45-26-A1/ XI7-45-B1	3182	1066	4248	-	144	172	200	V+H 1)
Xiro SPI6.45-27-A1/ XI7-45-B1	3294	1066	4360	-	144	172	203	V+H 1)
Xiro SPI6.45-28-A1/ XI7-45-B1	3406	1066	4472	-	144	172	206	V+H 1)
Xiro SPI6.45-29-A1/ XI7-45-B1	3518	1066	4584	-	144	172	208	V+H 1)

Pump with non-return valve, ¹⁾ On request, ³⁾ Max. Ø for power cable configuration in accordance with I_N

Pump curve

Xiro SPI 6.45



3~400 V, 50 Hz, $\rho = 1 \text{ kg/dm}^3$, $\nu = 1 \times 10^{-6} \text{ m}^2/\text{s}$, ISO 9906 Annex A

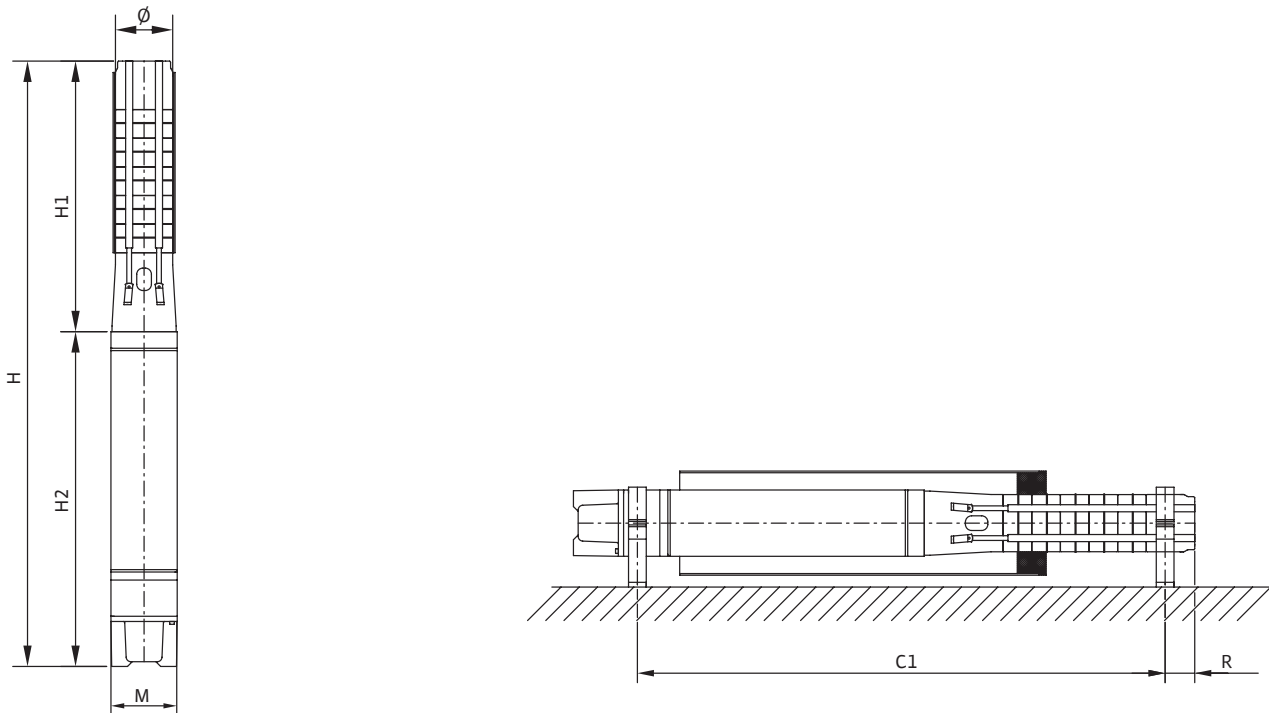
Subject to change without prior notice – Version dated June 2020.

Motor data						
	Motor diameter	Mains connection	Rated power	Rated current	Connection cable length	Cable cross-section
	DM in		P_2 kW	I_N A	D m	mm ²
Xiro SPI6.45-30-A1/ XI7-45-B1	7	3~400 V, 50 Hz	45	87.8	4.3	3x16
Xiro SPI6.45-31-A1/ XI7-55-B1	7	3~400 V, 50 Hz	55	109.8	4.3	3x16
Xiro SPI6.45-32-A1/ XI7-55-B1	7	3~400 V, 50 Hz	55	109.8	4.3	3x16
Xiro SPI6.45-33-A1/ XI7-55-B1	7	3~400 V, 50 Hz	55	109.8	4.3	3x16

Information for order placements				
	Name	Art. no.	Item no. for jacket pipe cooling (vertical)	Item no. for jacket pipe cooling (horizontal)
Xiro SPI6.45-30-A1/ XI7-45-B1	XI7-WR-45-400-3-50-DOL-B1	6073595	-	-
Xiro SPI6.45-31-A1/ XI7-55-B1	XI7-WR-55-400-3-50-DOL-B1	6073596	-	-
Xiro SPI6.45-32-A1/ XI7-55-B1	XI7-WR-55-400-3-50-DOL-B1	6073597	-	-
Xiro SPI6.45-33-A1/ XI7-55-B1	XI7-WR-55-400-3-50-DOL-B1	6073598	-	-

Dimension drawing (variable)

Wilo-Xiro SPI



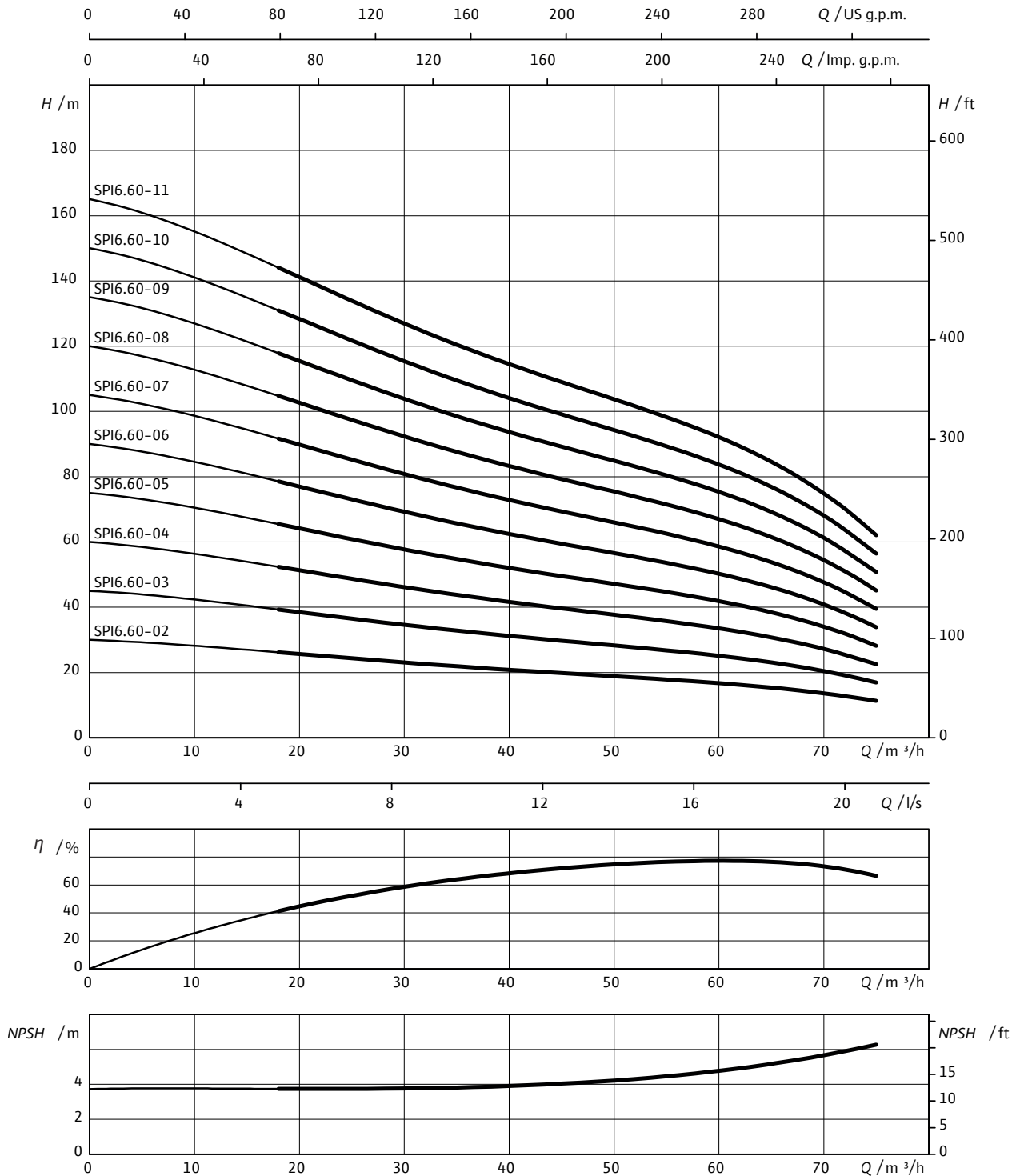
Dimensions, weights

Type	Dimensions						Net weight, approx. m kg	Installation V+H 1)
	H1	H2 mm	H	C1	ϕ mm	M		
Xiro SPI6.45-30-A1/ XI7-45-B1	3630	1066	4696	-	144	172	211	V+H 1)
Xiro SPI6.45-31-A1/ XI7-55-B1	3742	1250	4992	-	144	172	224	V+H 1)
Xiro SPI6.45-32-A1/ XI7-55-B1	3854	1250	5104	-	144	172	227	V+H 1)
Xiro SPI6.45-33-A1/ XI7-55-B1	3966	1250	5216	-	144	172	230	V+H 1)

Pump with non-return valve, ¹⁾ On request, ³⁾ Max. ϕ for power cable configuration in accordance with I_n

Pump curve

Xiro SPI 6.60



3~400 V, 50 Hz, $\rho = 1 \text{ kg/dm}^3$, $\nu = 1 \times 10^{-6} \text{ m}^2/\text{s}$, ISO 9906 Annex A

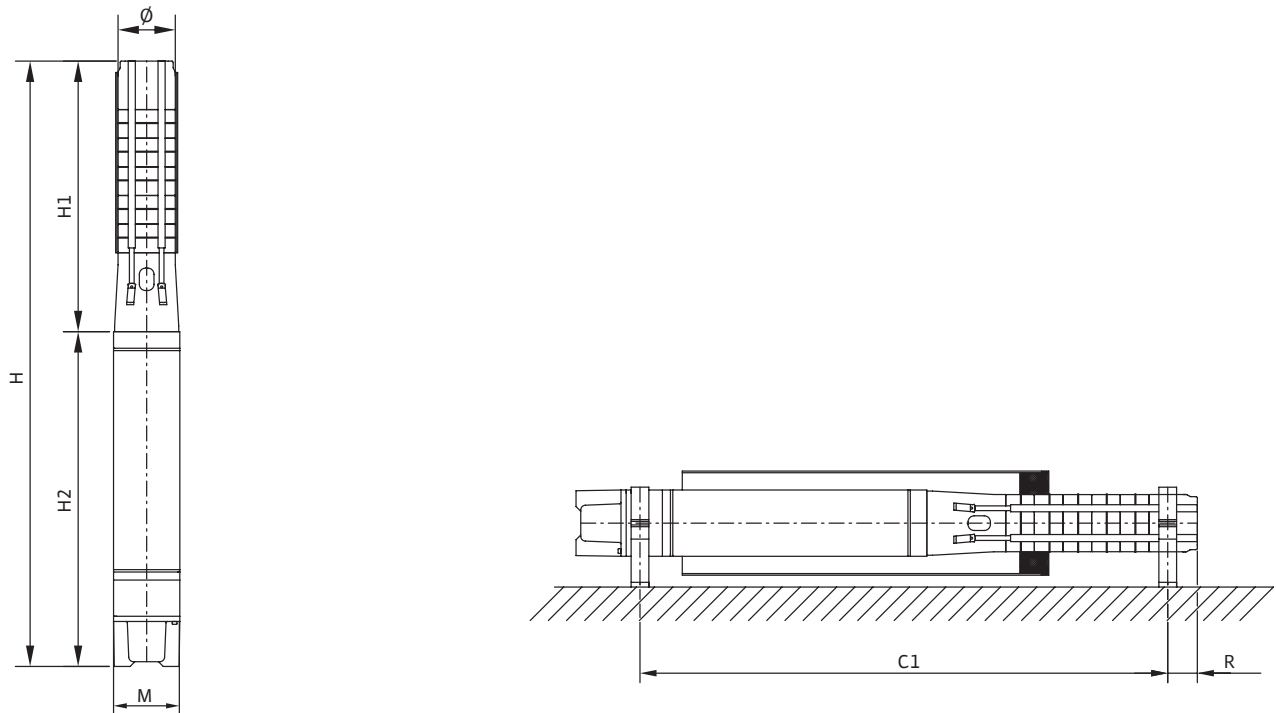
Subject to change without prior notice – Version dated June 2020.

Motor data						
	Motor diameter	Mains connection	Rated power	Rated current	Connection cable length	Cable cross-section
	DM in		P_2 kW	I_N A	D m	mm ²
Xiro SPI6.60-02-A1/ XI6-4-B1	6	3~400 V, 50 Hz	4	9.8	4.3	3x2,5
Xiro SPI6.60-03-A1/ XI6-5,5-B1	6	3~400 V, 50 Hz	5.5	12.8	4.3	3x2,5
Xiro SPI6.60-04-A1/ XI6-7,5-B1	6	3~400 V, 50 Hz	7.5	16.5	4.3	3x2,5
Xiro SPI6.60-05-A1/ XI6-9,3-B1	6	3~400 V, 50 Hz	9.3	20.2	4.3	3x2,5
Xiro SPI6.60-06-A1/ XI6-11-B1	6	3~400 V, 50 Hz	11	22.8	4.3	3x4
Xiro SPI6.60-07-A1/ XI6-13-B1	6	3~400 V, 50 Hz	13	27.6	4.3	3x4
Xiro SPI6.60-08-A1/ XI6-15-B1	6	3~400 V, 50 Hz	15	32.2	4.3	3x4
Xiro SPI6.60-09-A1/ XI6-18,5-B1	6	3~400 V, 50 Hz	18.5	40.2	4.3	3x4
Xiro SPI6.60-10-A1/ XI6-18,5-B1	6	3~400 V, 50 Hz	18.5	40.2	4.3	3x4
Xiro SPI6.60-11-A1/ XI6-22-B1	6	3~400 V, 50 Hz	22	46.7	4.3	3x6

Information for order placements				
	Name	Art. no.	Item no. for jacket pipe cooling (vertical)	Item no. for jacket pipe cooling (horizontal)
Xiro SPI6.60-02-A1/ XI6-4-B1	XI6-WR-4,0-400-3-50-DOL-B1	6073615	-	-
Xiro SPI6.60-03-A1/ XI6-5,5-B1	XI6-WR-5,5-400-3-50-DOL-B1	6073616	-	-
Xiro SPI6.60-04-A1/ XI6-7,5-B1	XI6-WR-7,5-400-3-50-DOL-B1	6073617	-	-
Xiro SPI6.60-05-A1/ XI6-9,3-B1	XI6-WR-9,3-400-3-50-DOL-B1	6073618	-	-
Xiro SPI6.60-06-A1/ XI6-11-B1	XI6-WR-11-400-3-50-DOL-B1	6073619	-	-
Xiro SPI6.60-07-A1/ XI6-13-B1	XI6-WR-13-400-3-50-DOL-B1	6073620	-	-
Xiro SPI6.60-08-A1/ XI6-15-B1	XI6-WR-15-400-3-50-DOL-B1	6073621	-	-
Xiro SPI6.60-09-A1/ XI6-18,5-B1	XI6-WR-18,5-400-3-50-DOL-B1	6073622	-	-
Xiro SPI6.60-10-A1/ XI6-18,5-B1	XI6-WR-18,5-400-3-50-DOL-B1	6073623	-	-
Xiro SPI6.60-11-A1/ XI6-22-B1	XI6-WR-22-400-3-50-DOL-B1	6073624	-	-

Dimension drawing (variable)

Wilo-Xiro SPI



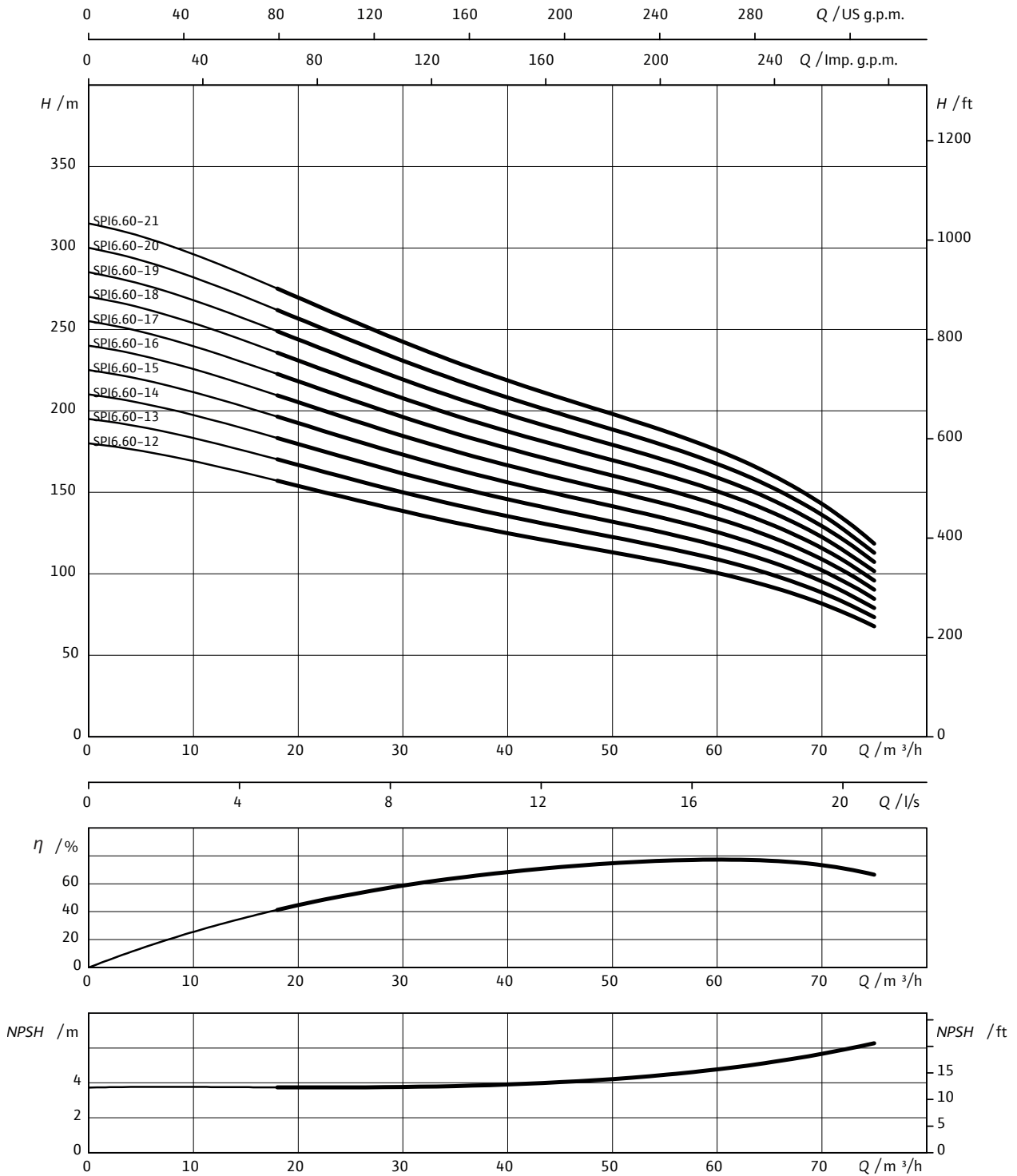
Dimensions, weights

Type	Dimensions						Net weight, approx. m kg	Installation approx. V+H 1)
	H1	H2 mm	H	C1	Ø mm	M		
Xiro SPI6.60-02-A1/ XI6-4-B1	494	576	1070	-	144	142	50	V+H 1)
Xiro SPI6.60-03-A1/ XI6-5,5-B1	606	605	1211	-	144	142	56	V+H 1)
Xiro SPI6.60-04-A1/ XI6-7,5-B1	718	685	1403	-	144	142	65	V+H 1)
Xiro SPI6.60-05-A1/ XI6-9,3-B1	830	727	1557	-	144	142	73	V+H 1)
Xiro SPI6.60-06-A1/ XI6-11-B1	942	778	1720	-	144	142	80	V+H 1)
Xiro SPI6.60-07-A1/ XI6-13-B1	1054	838	1892	-	144	142	88	V+H 1)
Xiro SPI6.60-08-A1/ XI6-15-B1	1166	900	2066	-	144	142	98	V+H 1)
Xiro SPI6.60-09-A1/ XI6-18,5-B1	1278	933	2211	-	144	142	104	V+H 1)
Xiro SPI6.60-10-A1/ XI6-18,5-B1	1390	933	2323	-	144	142	107	V+H 1)
Xiro SPI6.60-11-A1/ XI6-22-B1	1502	1033	2535	-	144	142	121	V+H 1)

Pump with non-return valve, ¹⁾ On request, ³⁾ Max. Ø for power cable configuration in accordance with I_n

Pump curve

Xiro SPI 6.60



3~400 V, 50 Hz, $\rho = 1 \text{ kg/dm}^3$, $\nu = 1 \times 10^{-6} \text{ m}^2/\text{s}$, ISO 9906 Annex A

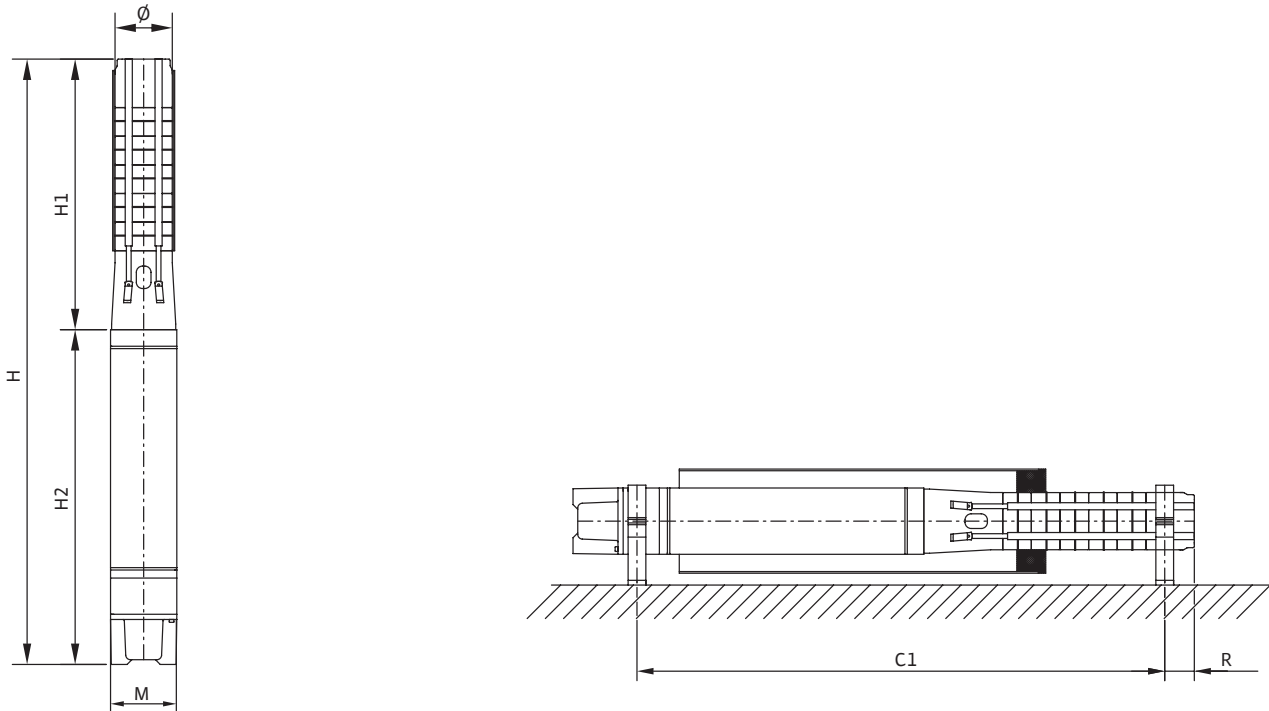
Subject to change without prior notice – Version dated June 2020.

Motor data						
	Motor diameter	Mains connection	Rated power	Rated current	Connection cable length	Cable cross-section
	DM in		P_2 kW	I_N A	D m	mm ²
Xiro SPI6.60-12-A1/ XI6-22-B1	6	3~400 V, 50 Hz	22	46.7	4.3	3x6
Xiro SPI6.60-13-A1/ XI6-26,5-B1	6	3~400 V, 50 Hz	26.5	54.9	4.3	3x6
Xiro SPI6.60-14-A1/ XI6-26,5-B1	6	3~400 V, 50 Hz	26.5	54.9	4.3	3x6
Xiro SPI6.60-15-A1/ XI6-30-B1	6	3~400 V, 50 Hz	30	62.1	4.3	3x6
Xiro SPI6.60-16-A1/ XI6-30-B1	6	3~400 V, 50 Hz	30	62.1	4.3	3x6
Xiro SPI6.60-17-A1/ XI6-30-B1	6	3~400 V, 50 Hz	30	62.1	4.3	3x6
Xiro SPI6.60-18-A1/ XI6-37-B1	6	3~400 V, 50 Hz	37	76.7	4.3	3x6
Xiro SPI6.60-19-A1/ XI6-37-B1	6	3~400 V, 50 Hz	37	76.7	4.3	3x6
Xiro SPI6.60-20-A1/ XI6-37-B1	6	3~400 V, 50 Hz	37	76.7	4.3	3x6
Xiro SPI6.60-21-A1/ XI6-37-B1	6	3~400 V, 50 Hz	37	76.7	4.3	3x6

Information for order placements				
	Name	Art. no.	Item no. for jacket pipe cooling (vertical)	Item no. for jacket pipe cooling (horizontal)
Xiro SPI6.60-12-A1/ XI6-22-B1	XI6-WR-22-400-3-50-DOL-B1	6073625	-	-
Xiro SPI6.60-13-A1/ XI6-26,5-B1	XI6-WR-26,5-400-3-50-DOL-B1	6073626	-	-
Xiro SPI6.60-14-A1/ XI6-26,5-B1	XI6-WR-26,5-400-3-50-DOL-B1	6073627	-	-
Xiro SPI6.60-15-A1/ XI6-30-B1	XI6-WR-30-400-3-50-DOL-B1	6073628	-	-
Xiro SPI6.60-16-A1/ XI6-30-B1	XI6-WR-30-400-3-50-DOL-B1	6073629	-	-
Xiro SPI6.60-17-A1/ XI6-30-B1	XI6-WR-30-400-3-50-DOL-B1	6073630	-	-
Xiro SPI6.60-18-A1/ XI6-37-B1	XI6-WR-37-400-3-50-DOL-B1	6073631	-	-
Xiro SPI6.60-19-A1/ XI6-37-B1	XI6-WR-37-400-3-50-DOL-B1	6073632	-	-
Xiro SPI6.60-20-A1/ XI6-37-B1	XI6-WR-37-400-3-50-DOL-B1	6073633	-	-
Xiro SPI6.60-21-A1/ XI6-37-B1	XI6-WR-37-400-3-50-DOL-B1	6073634	-	-

Dimension drawing (variable)

Wilo-Xiro SPI



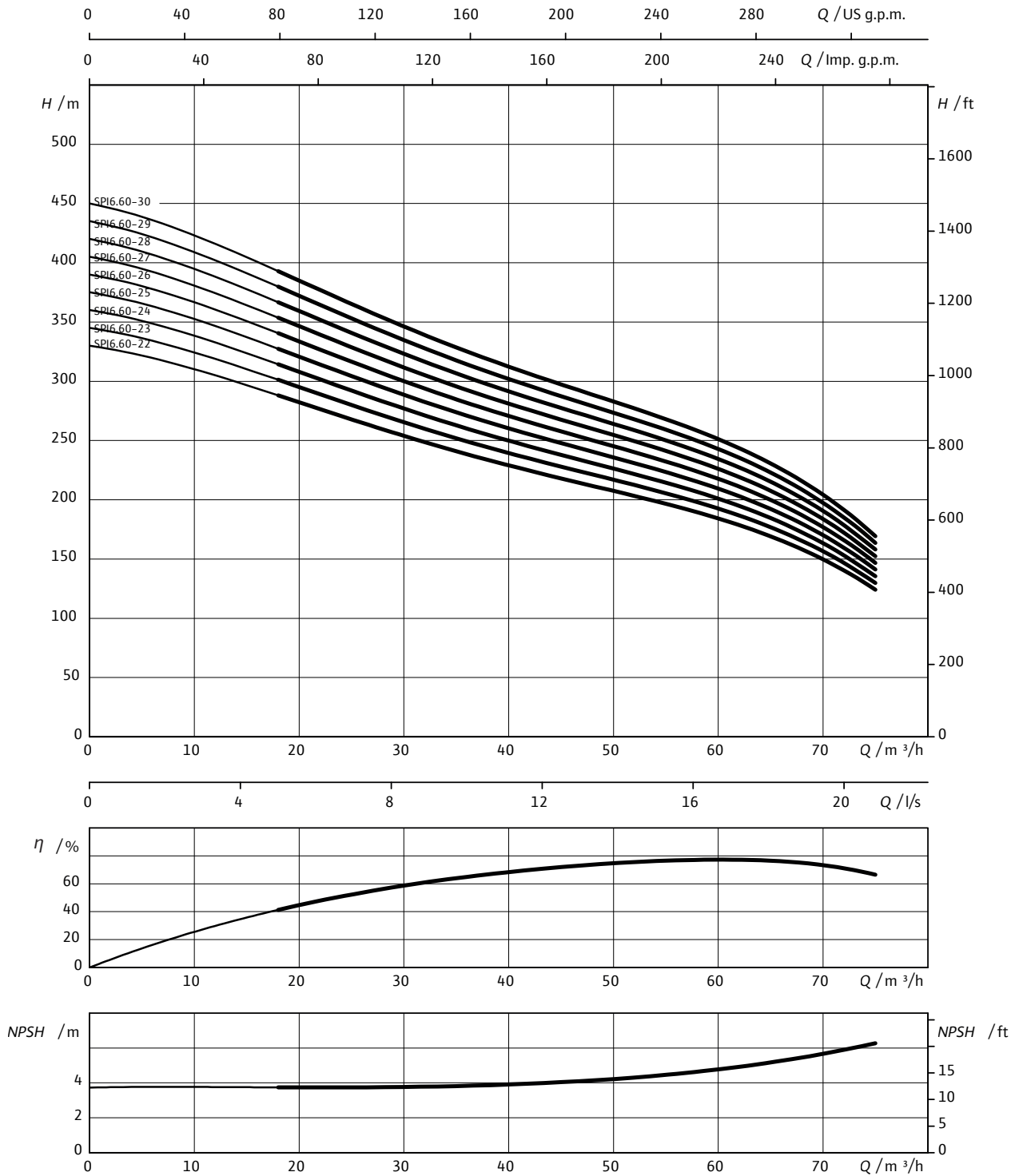
Dimensions, weights

Type	Dimensions						Net weight, approx. m kg	Installation approx.
	$H1$	$H2$ mm	H	$C1$	ϕ mm	M		
Xiro SPI6.60-12-A1/ XI6-22-B1	1614	1033	2647	-	144	142	123	V+H 1)
Xiro SPI6.60-13-A1/ XI6-26,5-B1	1726	1144	2870	-	144	142	137	V+H 1)
Xiro SPI6.60-14-A1/ XI6-26,5-B1	1838	1144	2982	-	144	142	140	V+H 1)
Xiro SPI6.60-15-A1/ XI6-30-B1	1950	1174	3124	-	144	142	147	V+H 1)
Xiro SPI6.60-16-A1/ XI6-30-B1	2062	1174	3236	-	144	142	150	V+H 1)
Xiro SPI6.60-17-A1/ XI6-30-B1	2174	1174	3348	-	144	142	153	V+H 1)
Xiro SPI6.60-18-A1/ XI6-37-B1	2286	1274	3560	-	144	142	162	V+H 1)
Xiro SPI6.60-19-A1/ XI6-37-B1	2398	1274	3672	-	144	142	165	V+H 1)
Xiro SPI6.60-20-A1/ XI6-37-B1	2510	1274	3784	-	144	142	168	V+H 1)
Xiro SPI6.60-21-A1/ XI6-37-B1	2622	1274	3896	-	144	142	170	V+H 1)

Pump with non-return valve, ¹⁾ On request, ³⁾ Max. ϕ for power cable configuration in accordance with I_n

Pump curve

Xiro SPI 6.60



3~400 V, 50 Hz, $\rho = 1 \text{ kg/dm}^3$, $\nu = 1 \times 10^{-6} \text{ m}^2/\text{s}$, ISO 9906 Annex A

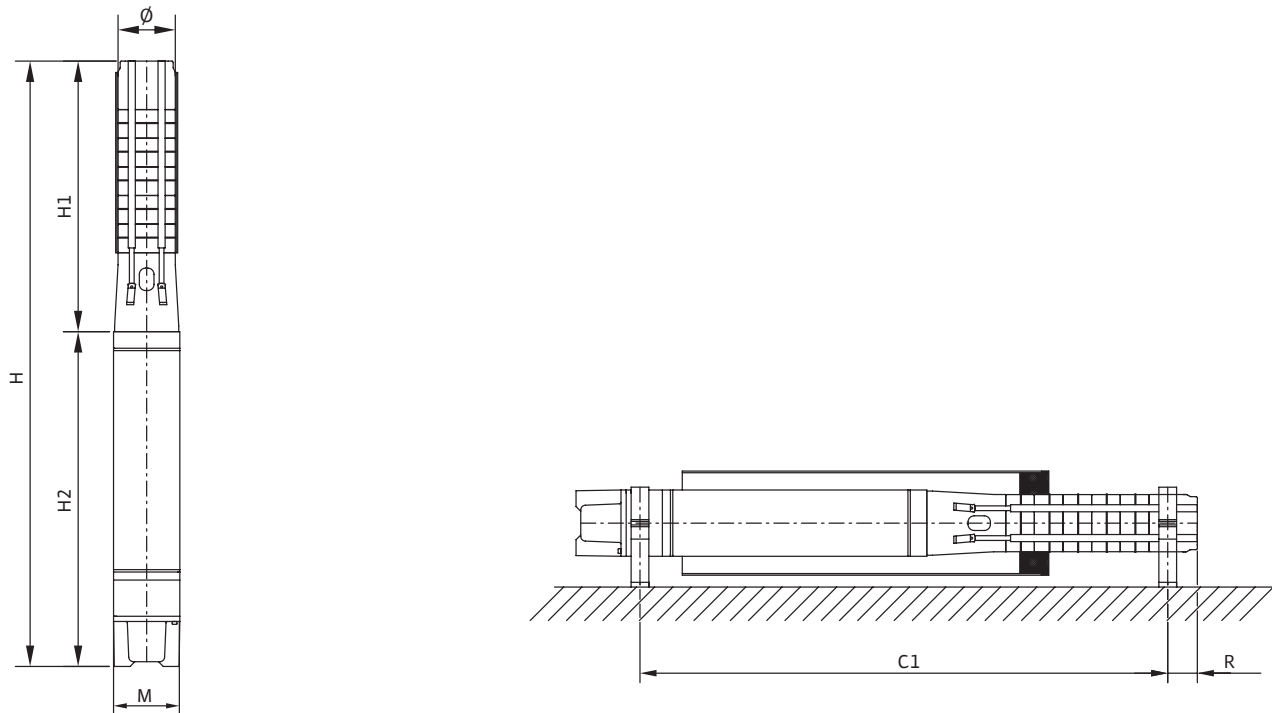
Subject to change without prior notice – Version dated June 2020.

Motor data						
	Motor diameter	Mains connection	Rated power	Rated current	Connection cable length	Cable cross-section
	DM in		P_2 kW	I_N A	D m	mm ²
Xiro SPI6.60-22-A1/ XI7-45-B1	7	3~400 V, 50 Hz	45	87.8	4.3	3x16
Xiro SPI6.60-23-A1/ XI7-45-B1	7	3~400 V, 50 Hz	45	87.8	4.3	3x16
Xiro SPI6.60-24-A1/ XI7-45-B1	7	3~400 V, 50 Hz	45	87.8	4.3	3x16
Xiro SPI6.60-25-A1/ XI7-52-B1	7	3~400 V, 50 Hz	52	102.7	4.3	3x16
Xiro SPI6.60-26-A1/ XI7-52-B1	7	3~400 V, 50 Hz	52	102.7	4.3	3x16
Xiro SPI6.60-27-A1/ XI7-52-B1	7	3~400 V, 50 Hz	52	102.7	4.3	3x16
Xiro SPI6.60-28-A1/ XI7-52-B1	7	3~400 V, 50 Hz	52	102.7	4.3	3x16
Xiro SPI6.60-29-A1/ XI7-55-B1	7	3~400 V, 50 Hz	55	109.8	4.3	3x16
Xiro SPI6.60-30-A1/ XI7-55-B1	7	3~400 V, 50 Hz	55	109.8	4.3	3x16

Information for order placements				
	Name	Art. no.	Item no. for jacket pipe cooling (vertical)	Item no. for jacket pipe cooling (horizontal)
Xiro SPI6.60-22-A1/ XI7-45-B1	XI7-WR-45-400-3-50-DOL-B1	6073635	-	-
Xiro SPI6.60-23-A1/ XI7-45-B1	XI7-WR-45-400-3-50-DOL-B1	6073636	-	-
Xiro SPI6.60-24-A1/ XI7-45-B1	XI7-WR-45-400-3-50-DOL-B1	6073637	-	-
Xiro SPI6.60-25-A1/ XI7-52-B1	XI7-WR-52-400-3-50-DOL-B1	6073638	-	-
Xiro SPI6.60-26-A1/ XI7-52-B1	XI7-WR-52-400-3-50-DOL-B1	6073639	-	-
Xiro SPI6.60-27-A1/ XI7-52-B1	XI7-WR-52-400-3-50-DOL-B1	6073640	-	-
Xiro SPI6.60-28-A1/ XI7-52-B1	XI7-WR-52-400-3-50-DOL-B1	6073641	-	-
Xiro SPI6.60-29-A1/ XI7-55-B1	XI7-WR-55-400-3-50-DOL-B1	6073642	-	-
Xiro SPI6.60-30-A1/ XI7-55-B1	XI7-WR-55-400-3-50-DOL-B1	6073643	-	-

Dimension drawing (variable)

Wilo-Xiro SPI



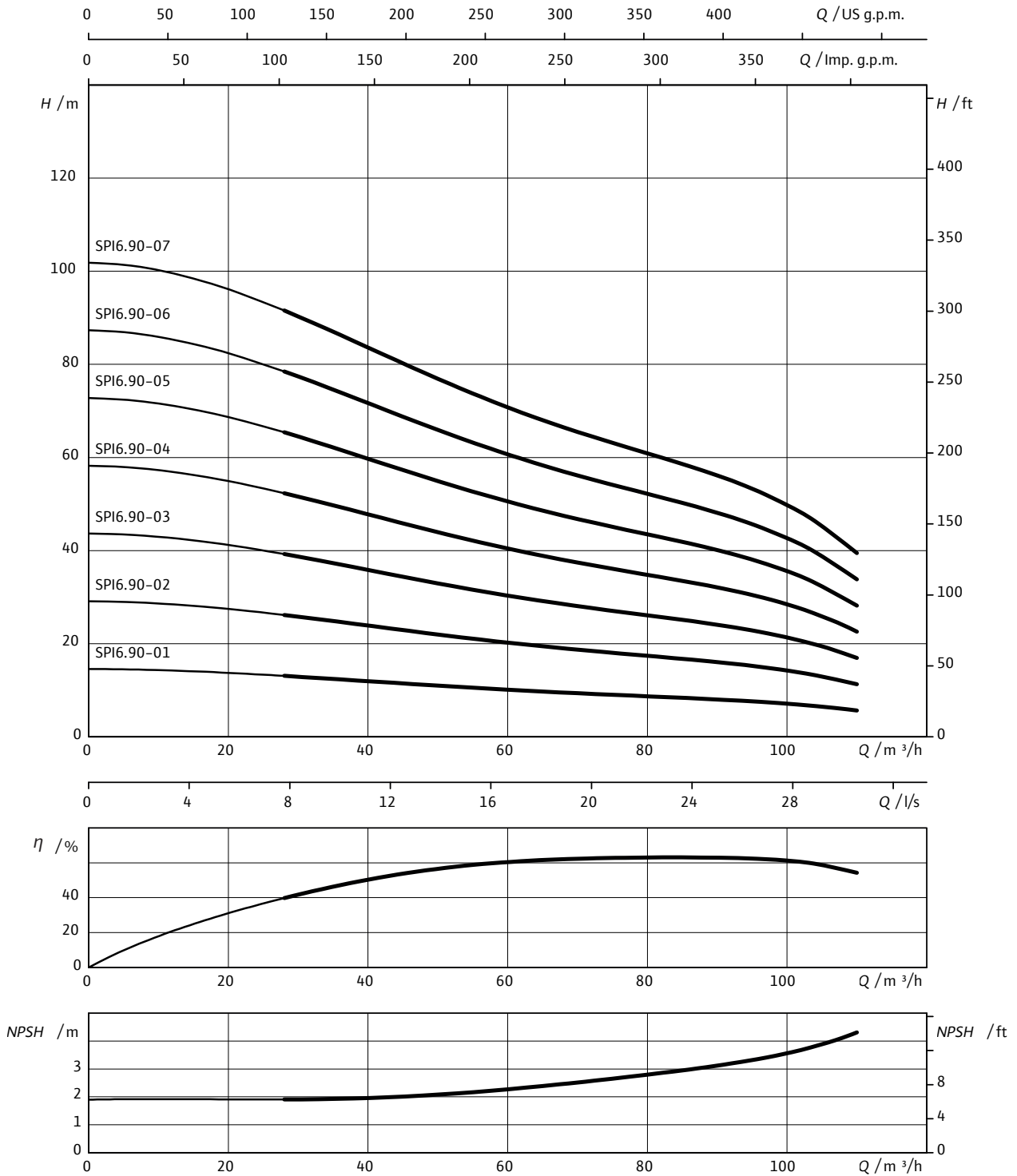
Dimensions, weights

Type	Dimensions						Net weight, approx.	Installation approx.
	H1	H2 mm	H	C1	Ø mm	M		
Xiro SPI6.60-22-A1/ XI7-45-B1	2734	1066	3800	-	144	172	190	V+H 1)
Xiro SPI6.60-23-A1/ XI7-45-B1	2846	1066	3912	-	144	172	192	V+H 1)
Xiro SPI6.60-24-A1/ XI7-45-B1	2958	1066	4024	-	144	172	195	V+H 1)
Xiro SPI6.60-25-A1/ XI7-52-B1	3070	1145	4215	-	144	172	209	V+H 1)
Xiro SPI6.60-26-A1/ XI7-52-B1	3182	1145	4327	-	144	172	211	V+H 1)
Xiro SPI6.60-27-A1/ XI7-52-B1	3294	1145	4439	-	144	172	214	V+H 1)
Xiro SPI6.60-28-A1/ XI7-52-B1	3406	1145	4551	-	144	172	217	V+H 1)
Xiro SPI6.60-29-A1/ XI7-55-B1	3518	1250	4768	-	144	172	219	V+H 1)
Xiro SPI6.60-30-A1/ XI7-55-B1	3630	1250	4880	-	144	172	222	V+H 1)

Pump with non-return valve, ¹⁾ On request, ³⁾ Max. Ø for power cable configuration in accordance with I_N

Pump curve

Xiro SPI6.90-01-07



3~400 V, 50 Hz, $\rho = 1 \text{ kg/dm}^3$, $\nu = 1 \times 10^{-6} \text{ m}^2/\text{s}$, ISO 9906 Annex A

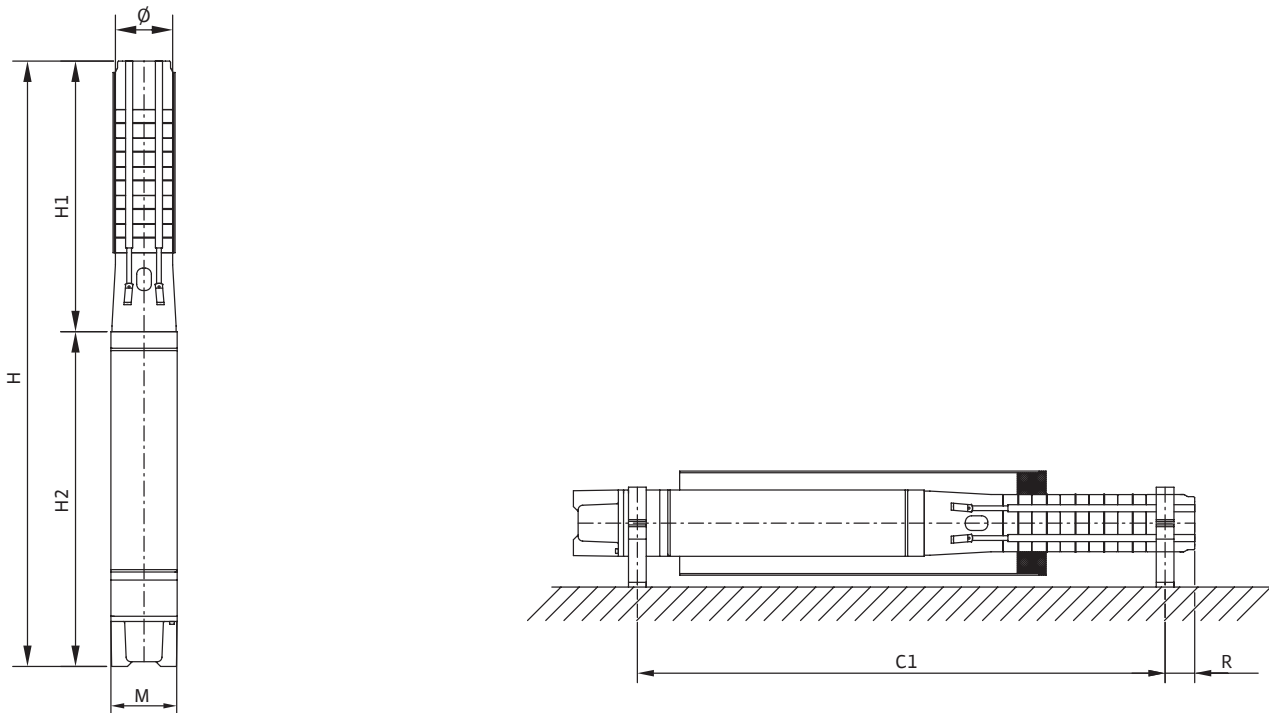
Subject to change without prior notice – Version dated June 2020.

Motor data						
	Motor diameter	Mains connection	Rated power	Rated current	Connection cable length	Cable cross-section
	DM in		P_2 kW	I_N A	D m	mm ²
Xiro SPI6.90-01-A1/ XI6-4-B1	6	3~400 V, 50 Hz	4	9.8	4.3	3x2,5
Xiro SPI6.90-02-A1/ XI6-7,5-B1	6	3~400 V, 50 Hz	7.5	16.5	4.3	3x2,5
Xiro SPI6.90-03-A1/ XI6-11-B1	6	3~400 V, 50 Hz	11	22.8	4.3	3x4
Xiro SPI6.90-04-A1/ XI6-15-B1	6	3~400 V, 50 Hz	15	32.2	4.3	3x4
Xiro SPI6.90-05-A1/ XI6-18,5-B1	6	3~400 V, 50 Hz	18.5	40.2	4.3	3x4
Xiro SPI6.90-06-A1/ XI6-22-B1	6	3~400 V, 50 Hz	22	46.7	4.3	3x6
Xiro SPI6.90-07-A1/ XI6-30-B1	6	3~400 V, 50 Hz	30	62.1	4.3	3x6

Information for order placements				
	Name	Art. no.	Item no. for jacket pipe cooling (vertical)	Item no. for jacket pipe cooling (horizontal)
Xiro SPI6.90-01-A1/ XI6-4-B1	XI6-WR-4,0-400-3-50-DOL-B1	6089333	-	-
Xiro SPI6.90-02-A1/ XI6-7,5-B1	XI6-WR-7,5-400-3-50-DOL-B1	6089334	-	-
Xiro SPI6.90-03-A1/ XI6-11-B1	XI6-WR-11-400-3-50-DOL-B1	6089335	-	-
Xiro SPI6.90-04-A1/ XI6-15-B1	XI6-WR-15-400-3-50-DOL-B1	6089336	-	-
Xiro SPI6.90-05-A1/ XI6-18,5-B1	XI6-WR-18,5-400-3-50-DOL-B1	6089337	-	-
Xiro SPI6.90-06-A1/ XI6-22-B1	XI6-WR-22-400-3-50-DOL-B1	6089338	-	-
Xiro SPI6.90-07-A1/ XI6-30-B1	XI6-WR-30-400-3-50-DOL-B1	6089339	-	-

Dimension drawing (variable)

Wilo-Xiro SPI



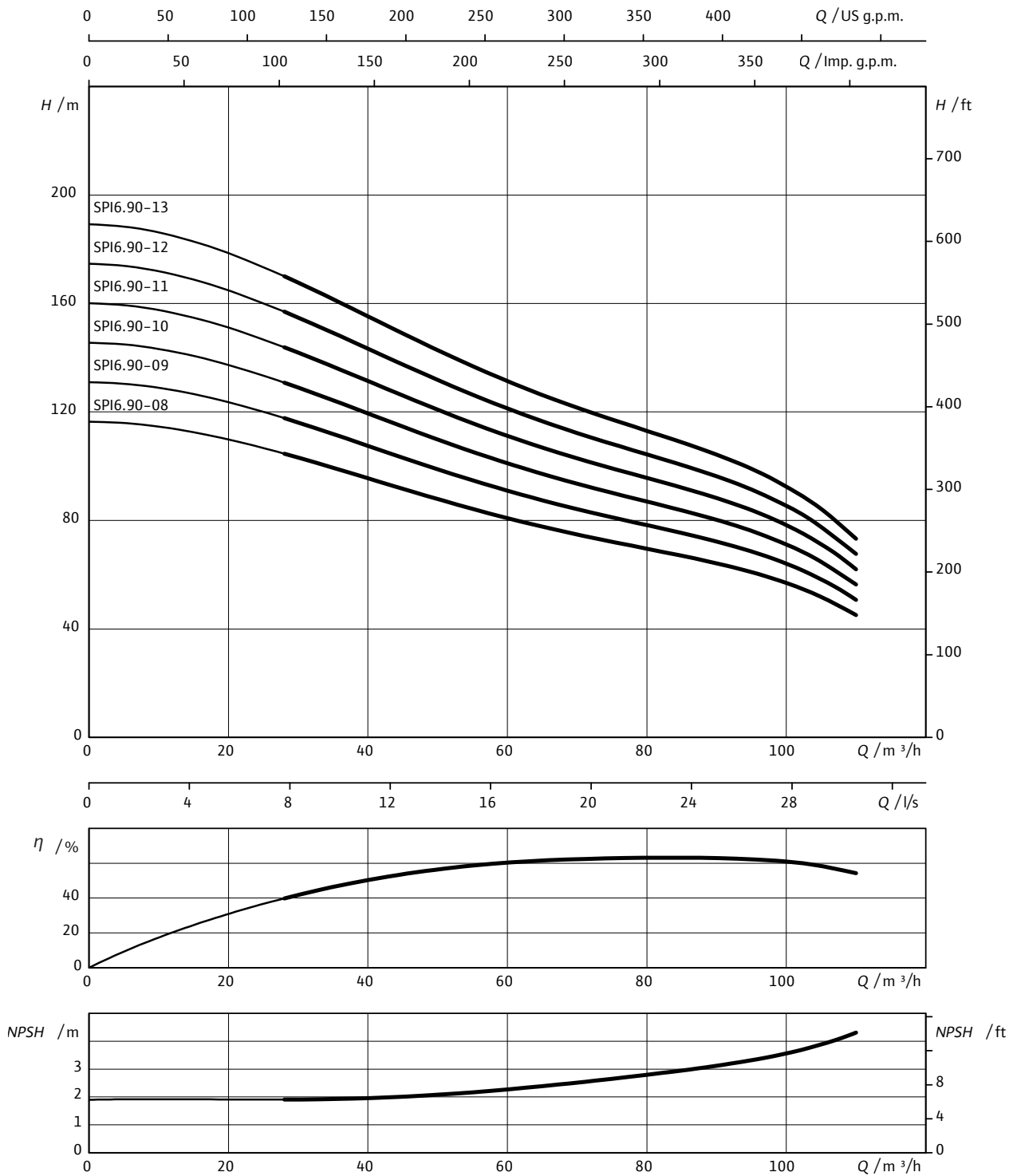
Dimensions, weights

Type	Dimensions						Net weight, approx. m kg	Installation approx.
	H1	H2 mm	H	C1	ϕ mm	M		
Xiro SPI6.90-01-A1/ XI6-4-B1	408	576	1057	-	144	142	49	V+H 1)
Xiro SPI6.90-02-A1/ XI6-7,5-B1	532	685	1210	-	144	142	56	V+H 1)
Xiro SPI6.90-03-A1/ XI6-11-B1	656	778	1456	-	144	142	70	V+H 1)
Xiro SPI6.90-04-A1/ XI6-15-B1	780	900	1691	-	144	142	83	V+H 1)
Xiro SPI6.90-05-A1/ XI6-18,5-B1	904	933	1877	-	144	142	93	V+H 1)
Xiro SPI6.90-06-A1/ XI6-22-B1	1028	1033	2034	-	144	142	100	V+H 1)
Xiro SPI6.90-07-A1/ XI6-30-B1	1152	1174	2369	-	144	142	125	V+H 1)

Pump with non-return valve, ¹⁾ On request, ³⁾ Max. ϕ for power cable configuration in accordance with I_n

Pump curve

Xiro SPI6.90-08-13



3~400 V, 50 Hz, $\rho = 1 \text{ kg/dm}^3$, $\nu = 1 \times 10^{-6} \text{ m}^2/\text{s}$, ISO 9906 Annex A

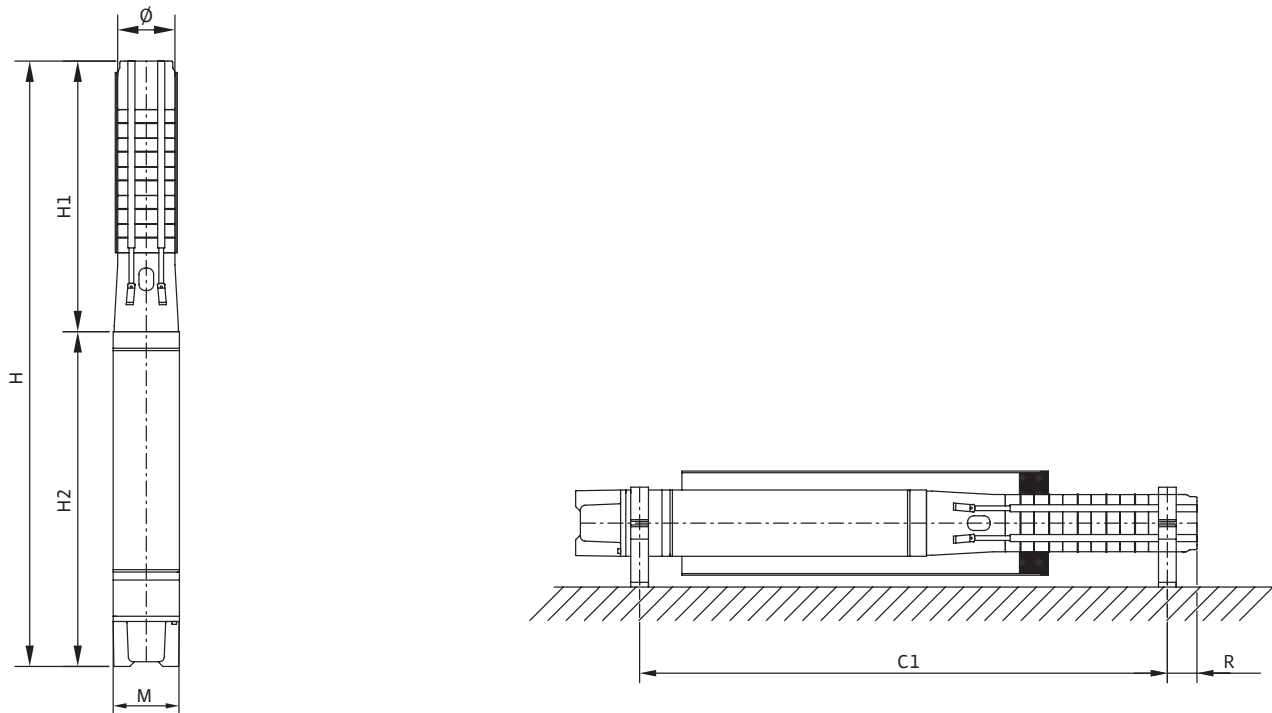
Subject to change without prior notice – Version dated June 2020.

Motor data						
	Motor diameter	Mains connection	Rated power	Rated current	Connection cable length	Cable cross-section
	DM in		P_2 kW	I_N A	D m	mm ²
Xiro SPI6.90-08-A1/ XI6-30-B1	6	3~400 V, 50 Hz	30	62.1	4.3	3x6
Xiro SPI6.90-09-A1/ XI6-37-B1	6	3~400 V, 50 Hz	37	76.7	4.3	3x6
Xiro SPI6.90-10-A1/ XI6-37-B1	6	3~400 V, 50 Hz	37	76.7	4.3	3x6
Xiro SPI6.90-11-A1/ XI6-45-B1	6	3~400 V, 50 Hz	45	96.9	4.3	3x6
Xiro SPI6.90-12-A1/ XI6-45-B1	6	3~400 V, 50 Hz	45	96.9	4.3	3x6
Xiro SPI6.90-13-A1/ XI6-45-B1	6	3~400 V, 50 Hz	45	96.9	4.3	3x6

Information for order placements				
	Name	Art. no.	Item no. for jacket pipe cooling (vertical)	Item no. for jacket pipe cooling (horizontal)
Xiro SPI6.90-08-A1/ XI6-30-B1	XI6-WR-30-400-3-50-DOL-B1	6089340	-	-
Xiro SPI6.90-09-A1/ XI6-37-B1	XI6-WR-37-400-3-50-DOL-B1	6089341	-	-
Xiro SPI6.90-10-A1/ XI6-37-B1	XI6-WR-37-400-3-50-DOL-B1	6089342	-	-
Xiro SPI6.90-11-A1/ XI6-45-B1	XI6-WR-45-400-3-50-DOL-B1	6089343	-	-
Xiro SPI6.90-12-A1/ XI6-45-B1	XI6-WR-45-400-3-50-DOL-B1	6089344	-	-
Xiro SPI6.90-13-A1/ XI6-45-B1	XI6-WR-45-400-3-50-DOL-B1	6089345	-	-

Dimension drawing (variable)

Wilo-Xiro SPI



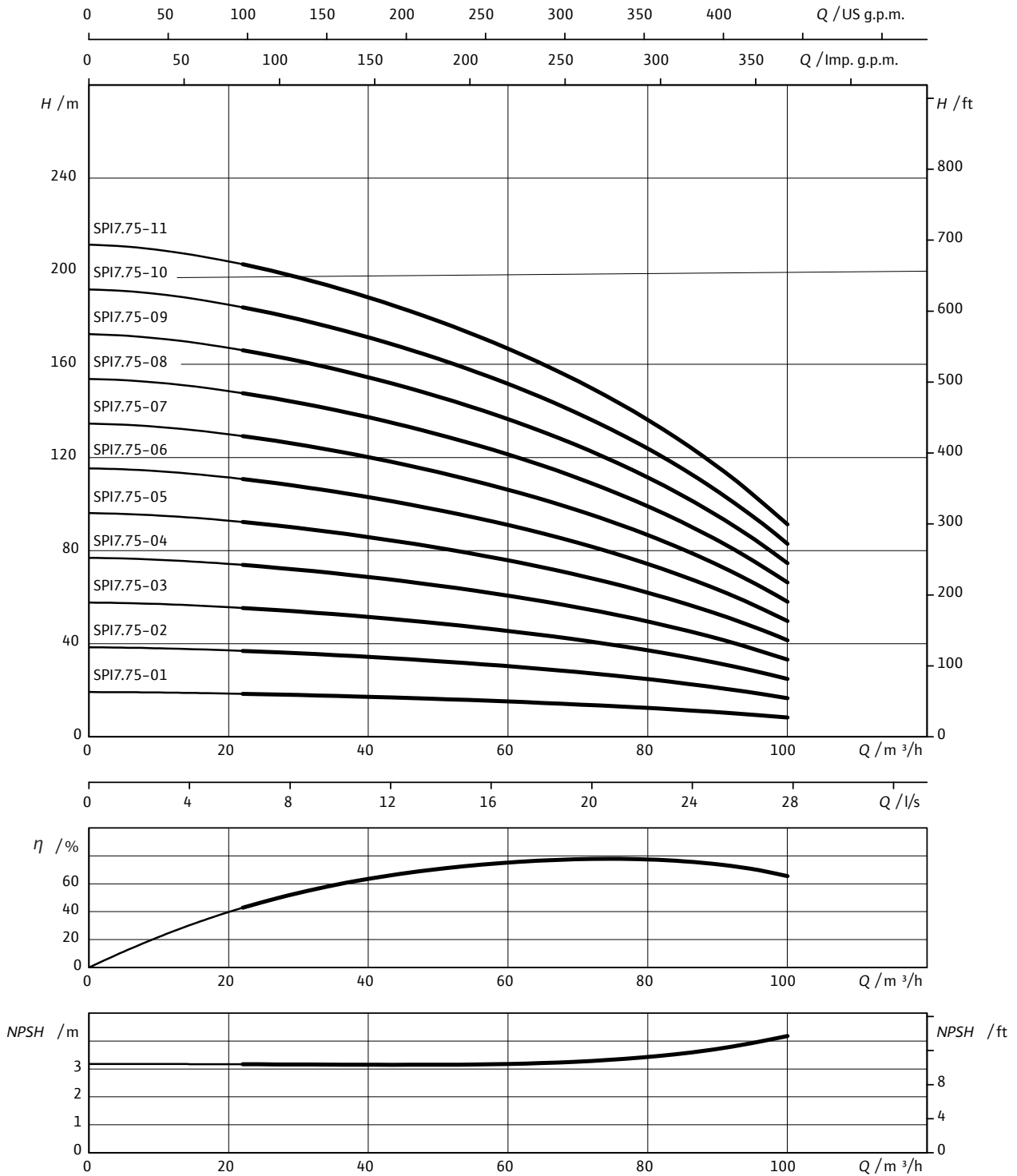
Dimensions, weights

Type	Dimensions						Net weight, approx. m kg	Installation approx. V+H 1)
	H1	H2 mm	H	C1	Ø mm	M		
Xiro SPI6.90-08-A1/ XI6-30-B1	1276	1174	2493	-	144	142	128	V+H 1)
Xiro SPI6.90-09-A1/ XI6-37-B1	1400	1274	2617	-	144	142	131	V+H 1)
Xiro SPI6.90-10-A1/ XI6-37-B1	1524	1274	2771	-	144	142	139	V+H 1)
Xiro SPI6.90-11-A1/ XI6-45-B1	1648	1374	2895	-	144	142	142	V+H 1)
Xiro SPI6.90-12-A1/ XI6-45-B1	1772	1374	3119	-	144	142	152	V+H 1)
Xiro SPI6.90-13-A1/ XI6-45-B1	1896	1374	3243	-	144	142	155	V+H 1)

Pump with non-return valve, ¹⁾ On request, ³⁾ Max. Ø for power cable configuration in accordance with I_n

Pump curve

Xiro SPI 7.75



3~400 V, 50 Hz, $\rho = 1 \text{ kg/dm}^3$, $\nu = 1 \times 10^{-6} \text{ m}^2/\text{s}$, ISO 9906 Annex A

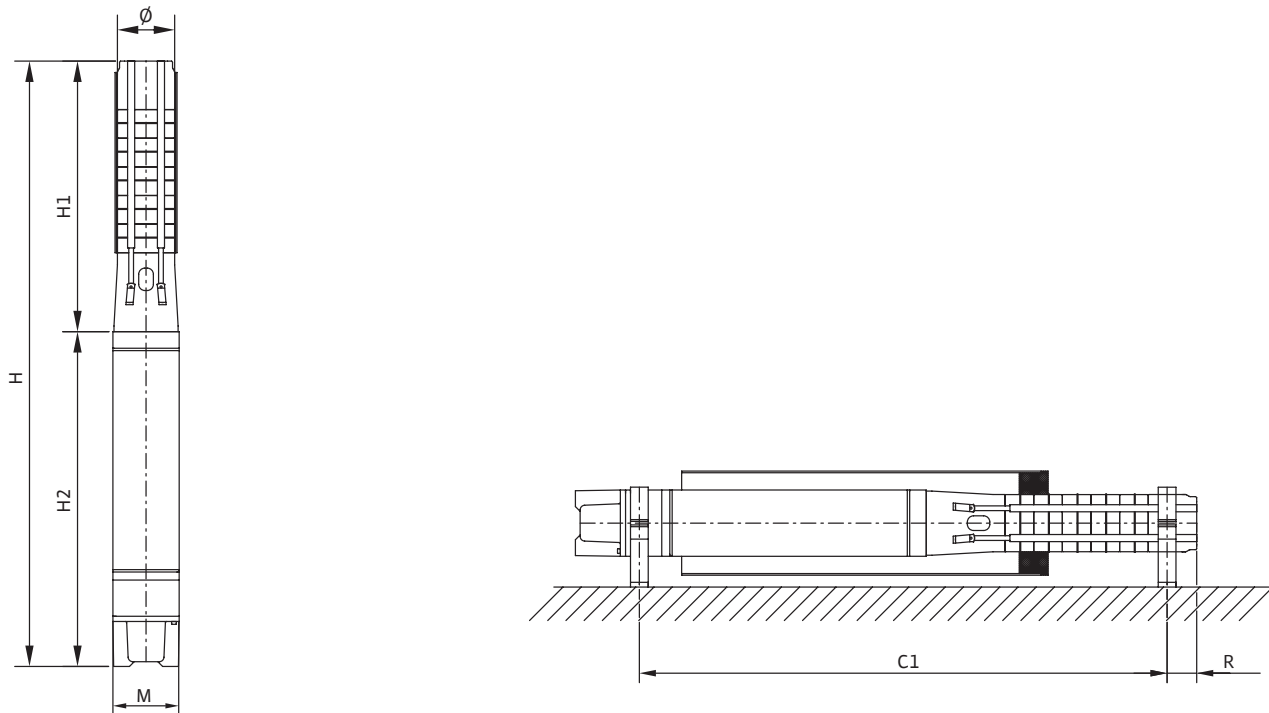
Subject to change without prior notice – Version dated June 2020.

Motor data						
	Motor diameter	Mains connection	Rated power	Rated current	Connection cable length	Cable cross-section
	DM in		P_2 kW	I_N A	D m	mm ²
Xiro SPI7.75-01-A1/ XI6-4-B1	6	3~400 V, 50 Hz	4	9.8	4.3	3x2,5
Xiro SPI7.75-02-A1/ XI6-7,5-B1	6	3~400 V, 50 Hz	7.5	16.5	4.3	3x2,5
Xiro SPI7.75-03-A1/ XI6-11-B1	6	3~400 V, 50 Hz	11	22.8	4.3	3x4
Xiro SPI7.75-04-A1/ XI6-15-B1	6	3~400 V, 50 Hz	15	32.2	4.3	3x4
Xiro SPI7.75-05-A1/ XI6-18,5-B1	6	3~400 V, 50 Hz	18.5	40.2	4.3	3x4
Xiro SPI7.75-06-A1/ XI6-22-B1	6	3~400 V, 50 Hz	22	46.7	4.3	3x6
Xiro SPI7.75-07-A1/ XI6-26,5-B1	6	3~400 V, 50 Hz	26.5	54.9	4.3	3x6
Xiro SPI7.75-08-A1/ XI6-30-B1	6	3~400 V, 50 Hz	30	62.1	4.3	3x6
Xiro SPI7.75-09-A1/ XI6-37-B1	6	3~400 V, 50 Hz	37	76.7	4.3	3x6
Xiro SPI7.75-10-A1/ XI6-37-B1	6	3~400 V, 50 Hz	37	76.7	4.3	3x6
Xiro SPI7.75-11-A1/ XI7-45-B1	7	3~400 V, 50 Hz	45	87.8	4.3	3x16

Information for order placements				
	Name	Art. no.	Item no. for jacket pipe cooling (vertical)	Item no. for jacket pipe cooling (horizontal)
Xiro SPI7.75-01-A1/ XI6-4-B1	XI6-WR-4,0-400-3-50-DOL-B1	6073646	-	-
Xiro SPI7.75-02-A1/ XI6-7,5-B1	XI6-WR-7,5-400-3-50-DOL-B1	6073647	-	-
Xiro SPI7.75-03-A1/ XI6-11-B1	XI6-WR-11-400-3-50-DOL-B1	6073648	-	-
Xiro SPI7.75-04-A1/ XI6-15-B1	XI6-WR-15-400-3-50-DOL-B1	6073649	-	-
Xiro SPI7.75-05-A1/ XI6-18,5-B1	XI6-WR-18,5-400-3-50-DOL-B1	6073650	-	-
Xiro SPI7.75-06-A1/ XI6-22-B1	XI6-WR-22-400-3-50-DOL-B1	6073651	-	-
Xiro SPI7.75-07-A1/ XI6-26,5-B1	XI6-WR-26,5-400-3-50-DOL-B1	6073652	-	-
Xiro SPI7.75-08-A1/ XI6-30-B1	XI6-WR-30-400-3-50-DOL-B1	6073653	-	-
Xiro SPI7.75-09-A1/ XI6-37-B1	XI6-WR-37-400-3-50-DOL-B1	6073654	-	-
Xiro SPI7.75-10-A1/ XI6-37-B1	XI6-WR-37-400-3-50-DOL-B1	6073655	-	-
Xiro SPI7.75-11-A1/ XI7-45-B1	XI7-WR-45-400-3-50-DOL-B1	6073656	-	-

Dimension drawing (variable)

Wilo-Xiro SPI



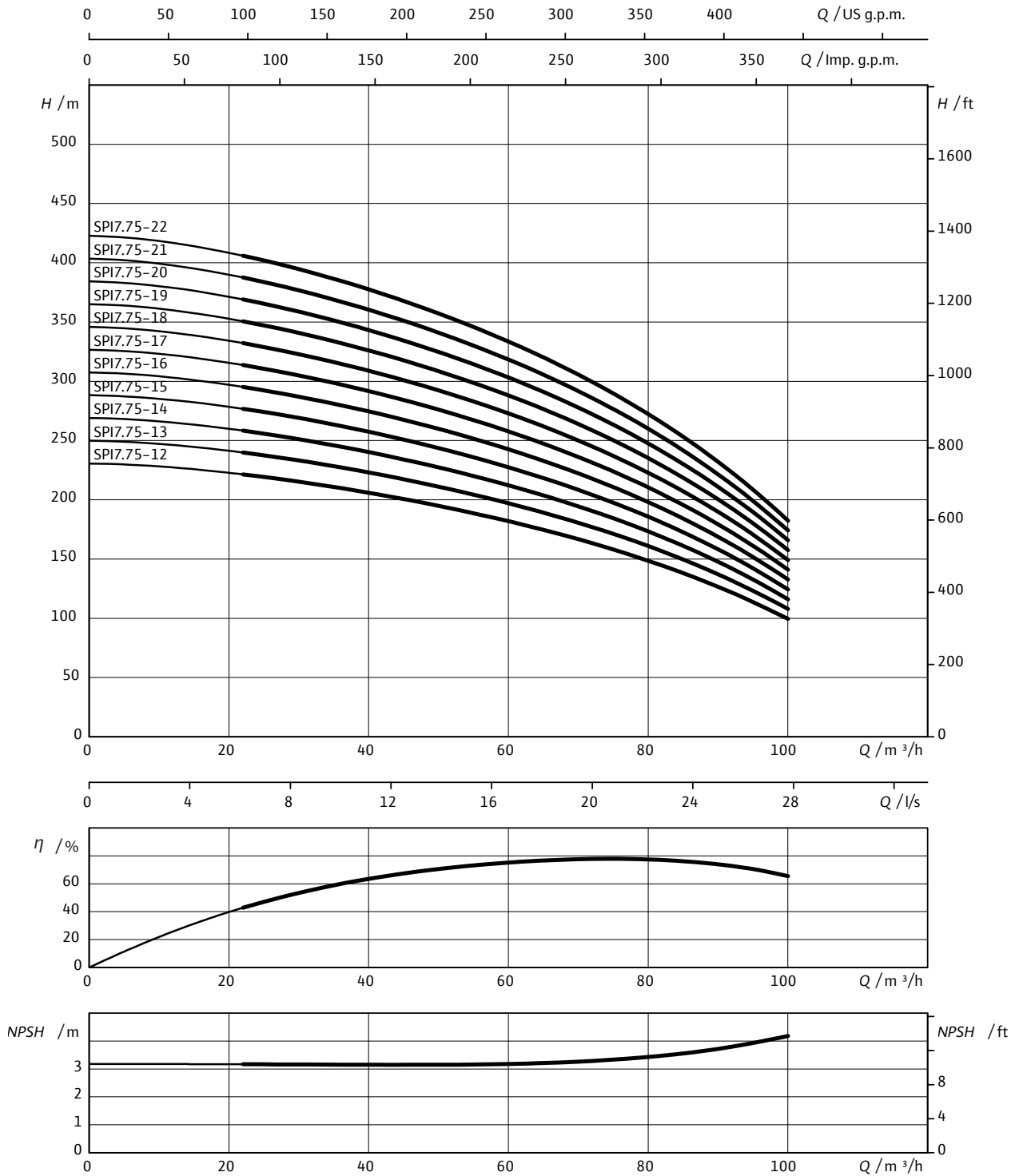
Dimensions, weights

Type	Dimensions						Net weight, approx. m kg	Installation approx.
	$H1$	$H2$ mm	H	$C1$	ϕ mm	M		
Xiro SPI7.75-01-A1/ X16-4-B1	571	576	1147	-	172	142	66	V+H 1)
Xiro SPI7.75-02-A1/ X16-7,5-B1	699	685	1384	-	172	142	80	V+H 1)
Xiro SPI7.75-03-A1/ X16-11-B1	827	778	1605	-	172	142	94	V+H 1)
Xiro SPI7.75-04-A1/ X16-15-B1	955	900	1855	-	172	142	110	V+H 1)
Xiro SPI7.75-05-A1/ X16-18,5-B1	1083	933	2016	-	172	142	118	V+H 1)
Xiro SPI7.75-06-A1/ X16-22-B1	1211	1033	2244	-	172	142	133	V+H 1)
Xiro SPI7.75-07-A1/ X16-26,5-B1	1339	1144	2483	-	172	142	148	V+H 1)
Xiro SPI7.75-08-A1/ X16-30-B1	1467	1174	2641	-	172	142	157	V+H 1)
Xiro SPI7.75-09-A1/ X16-37-B1	1595	1274	2869	-	172	142	168	V+H 1)
Xiro SPI7.75-10-A1/ X16-37-B1	1723	1274	2997	-	172	142	172	V+H 1)
Xiro SPI7.75-11-A1/ X17-45-B1	1851	1066	2917	-	172	172	193	V+H 1)

Pump with non-return valve, ¹⁾ On request, ³⁾ Max. ϕ for power cable configuration in accordance with I_n

Pump curve

Xiro SPI 7.75



3~400 V, 50 Hz, $\rho = 1 \text{ kg/dm}^3$, $\nu = 1 \times 10^{-6} \text{ m}^2/\text{s}$, ISO 9906 Annex A

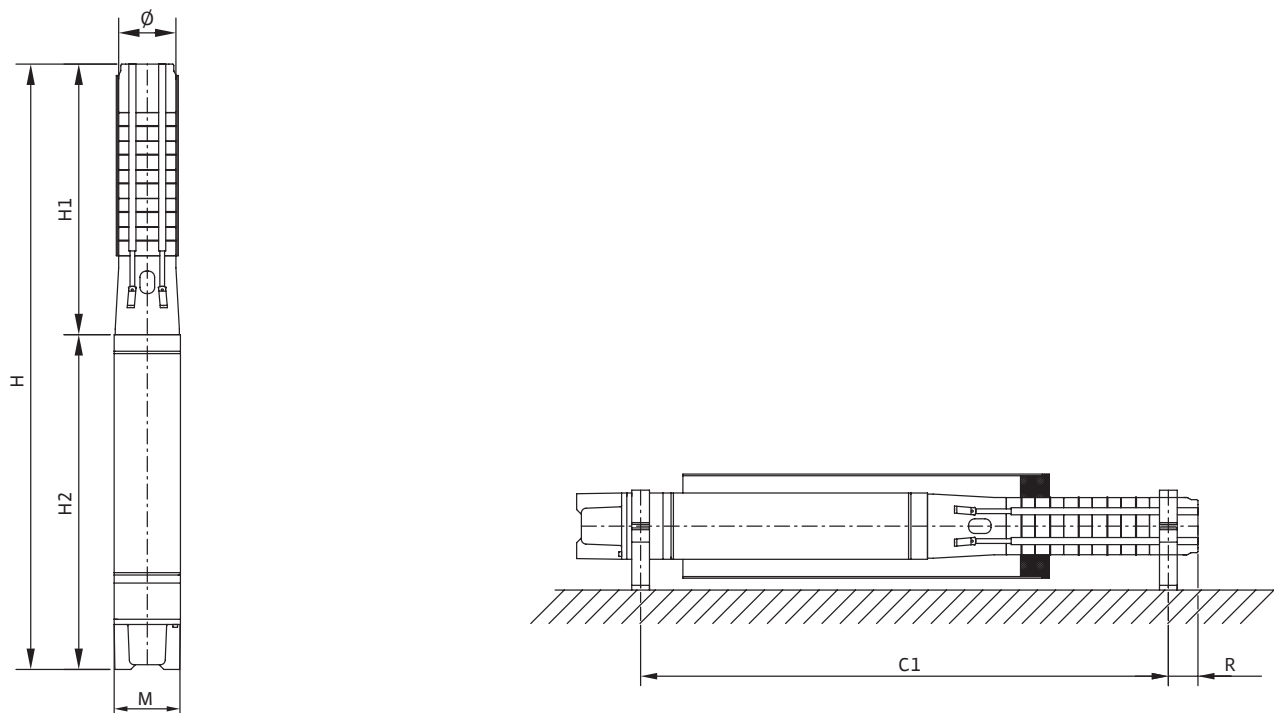
Subject to change without prior notice – Version dated June 2020.

Motor data						
	Motor diameter	Mains connection	Rated power	Rated current	Connection cable length	Cable cross-section
	DM in		P_2 kW	I_N A	D m	mm ²
Xiro SPI7.75-12-A1/ XI7-45-B1	7	3~400 V, 50 Hz	45	87.8	4.3	3x16
Xiro SPI7.75-13-A1/ XI7-52-B1	7	3~400 V, 50 Hz	52	102.7	4.3	3x16
Xiro SPI7.75-14-A1/ XI7-52-B1	7	3~400 V, 50 Hz	52	102.7	4.3	3x16
Xiro SPI7.75-15-A1/ XI7-55-B1	7	3~400 V, 50 Hz	55	109.8	4.3	3x16
Xiro SPI7.75-16-A1/ XI8-60-B1	8	3~400 V, 50 Hz	60	115.7	4.3	3x10
Xiro SPI7.75-17-A1/ XI8-67-B1	8	3~400 V, 50 Hz	67	129.3	4.3	3x16
Xiro SPI7.75-18-A1/ XI8-67-B1	8	3~400 V, 50 Hz	67	129.3	4.3	3x16
Xiro SPI7.75-19-A1/ XI8-67-B1	8	3~400 V, 50 Hz	67	129.3	4.3	3x16
Xiro SPI7.75-20-A1/ XI8-75-B1	8	3~400 V, 50 Hz	75	144.7	4.3	3x16
Xiro SPI7.75-21-A1/ XI8-75-B1	8	3~400 V, 50 Hz	75	144.7	4.3	3x16
Xiro SPI7.75-22-A1/ XI8-81-B1	8	3~400 V, 50 Hz	81	156.3	4.3	3x16

Information for order placements				
	Name	Art. no.	Item no. for jacket pipe cooling (vertical)	Item no. for jacket pipe cooling (horizontal)
Xiro SPI7.75-12-A1/ XI7-45-B1	XI7-WR-45-400-3-50-DOL-B1	6073657	-	-
Xiro SPI7.75-13-A1/ XI7-52-B1	XI7-WR-52-400-3-50-DOL-B1	6073658	-	-
Xiro SPI7.75-14-A1/ XI7-52-B1	XI7-WR-52-400-3-50-DOL-B1	6073659	-	-
Xiro SPI7.75-15-A1/ XI7-55-B1	XI7-WR-55-400-3-50-DOL-B1	6073660	-	-
Xiro SPI7.75-16-A1/ XI8-60-B1	XI8-WR-60-400-3-50-DOL-B1	6073661	-	-
Xiro SPI7.75-17-A1/ XI8-67-B1	XI8-WR-67-400-3-50-DOL-B1	6073662	-	-
Xiro SPI7.75-18-A1/ XI8-67-B1	XI8-WR-67-400-3-50-DOL-B1	6073663	-	-
Xiro SPI7.75-19-A1/ XI8-67-B1	XI8-WR-67-400-3-50-DOL-B1	6073664	-	-
Xiro SPI7.75-20-A1/ XI8-75-B1	XI8-WR-75-400-3-50-DOL-B1	6073665	-	-
Xiro SPI7.75-21-A1/ XI8-75-B1	XI8-WR-75-400-3-50-DOL-B1	6073666	-	-
Xiro SPI7.75-22-A1/ XI8-81-B1	XI8-WR-81-400-3-50-DOL-B1	6073667	-	-

Dimension drawing (variable)

Wilo-Xiro SPI



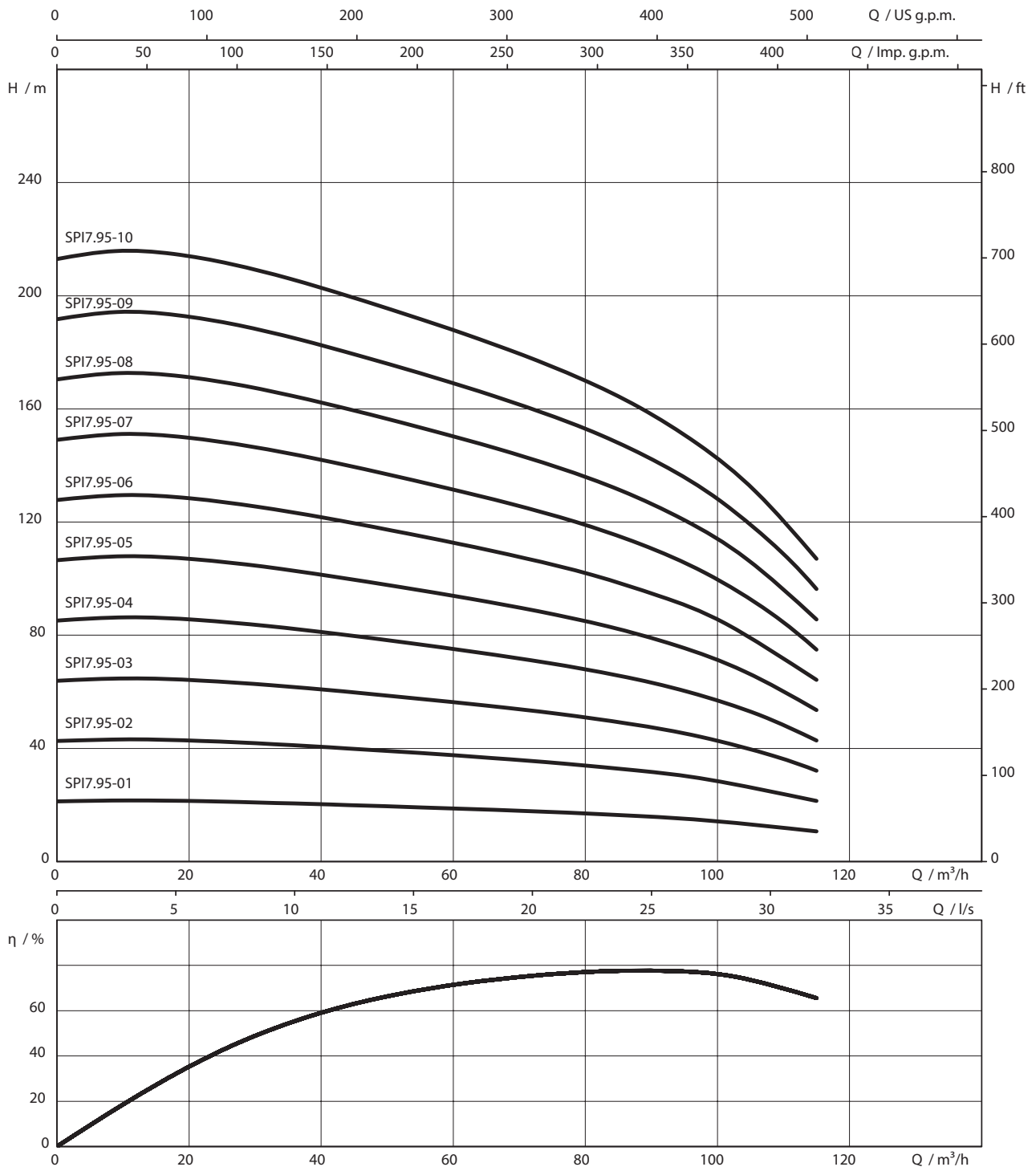
Dimensions, weights

Type	Dimensions						Net weight, approx. m kg	Installation approx.
	H1	H2 mm	H	C1	Ø mm	M		
Xiro SPI7.75-12-A1/ XI7-45-B1	1979	1066	3045	-	172	172	197	V+H 1)
Xiro SPI7.75-13-A1/ XI7-52-B1	2107	1145	3252	-	172	172	212	V+H 1)
Xiro SPI7.75-14-A1/ XI7-52-B1	2235	1145	3380	-	172	172	216	V+H 1)
Xiro SPI7.75-15-A1/ XI7-55-B1	2363	1250	3613	-	172	172	220	V+H 1)
Xiro SPI7.75-16-A1/ XI8-60-B1	2491	1240	3731	-	172	192	271	V+H 1)
Xiro SPI7.75-17-A1/ XI8-67-B1	2619	1265	3884	-	172	192	275	V+H 1)
Xiro SPI7.75-18-A1/ XI8-67-B1	2747	1265	4012	-	172	192	279	V+H 1)
Xiro SPI7.75-19-A1/ XI8-67-B1	2875	1265	4140	-	172	192	283	V+H 1)
Xiro SPI7.75-20-A1/ XI8-75-B1	3003	1290	4293	-	172	192	296	V+H 1)
Xiro SPI7.75-21-A1/ XI8-75-B1	3131	1290	4421	-	172	192	300	V+H 1)
Xiro SPI7.75-22-A1/ XI8-81-B1	3259	1370	4629	-	172	192	319	V+H 1)

Pump with non-return valve, ¹⁾ On request, ³⁾ Max. Ø for power cable configuration in accordance with I_n

Pump curve

Xiro SPI 7.95



3~400 V, 50 Hz, $\rho = 1 \text{ kg/dm}^3$, $\nu = 1 \times 10^{-6} \text{ m}^2/\text{s}$, ISO 9906 Annex A

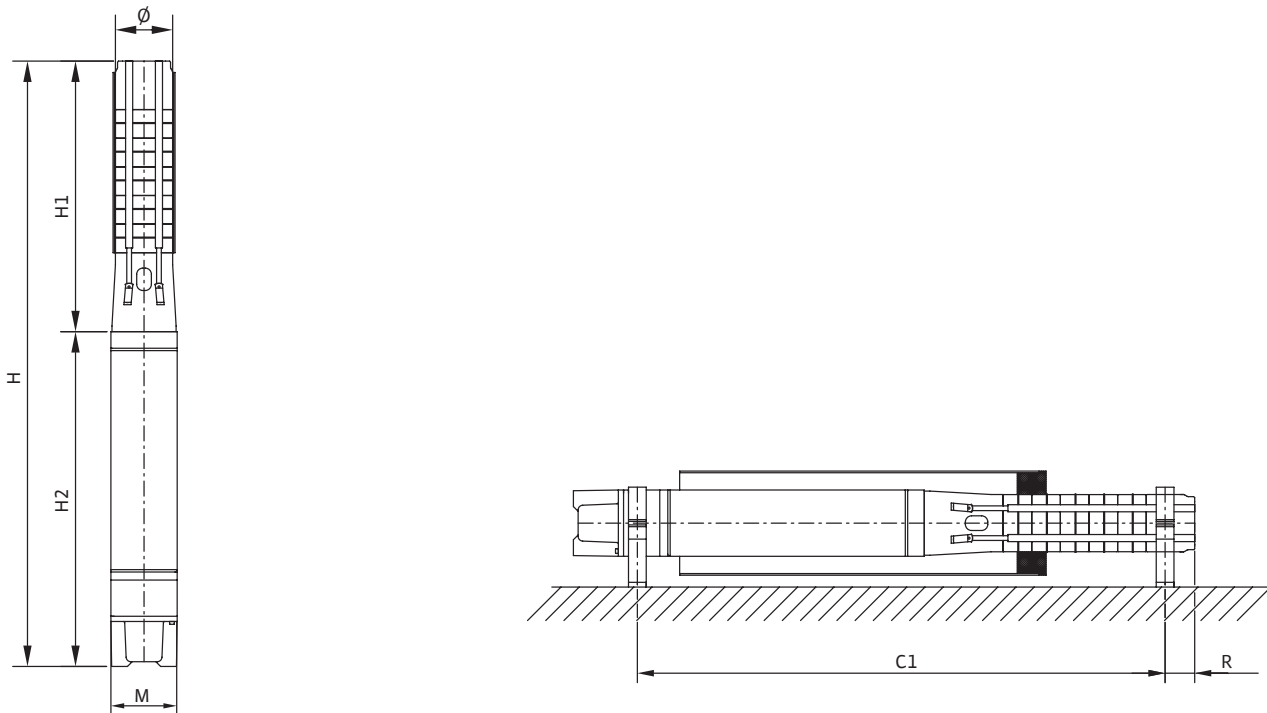
Subject to change without prior notice – Version dated June 2020.

Motor data						
	Motor diameter	Mains connection	Rated power	Rated current	Connection cable length	Cable cross-section
	DM in		P_2 kW	I_N A	D m	mm ²
Xiro SPI7.95-01-A1/ X16-5,5-B1	6	3~400 V, 50 Hz	5.5	12.8	4.3	3x2,5
Xiro SPI7.95-02-A1/ X16-11-B1	6	3~400 V, 50 Hz	11	22.8	4.3	3x4
Xiro SPI7.95-03-A1/ X16-15-B1	6	3~400 V, 50 Hz	15	32.2	4.3	3x4
Xiro SPI7.95-04-A1/ X16-22-B1	6	3~400 V, 50 Hz	22	46.7	4.3	3x6
Xiro SPI7.95-05-A1/ X16-30-B1	6	3~400 V, 50 Hz	30	62.1	4.3	3x6
Xiro SPI7.95-06-A1/ X16-37-B1	6	3~400 V, 50 Hz	37	76.7	4.3	3x6
Xiro SPI7.95-07-A1/ X16-37-B1	6	3~400 V, 50 Hz	37	76.7	4.3	3x6
Xiro SPI7.95-08-A1/ X17-45-B1	7	3~400 V, 50 Hz	45	87.8	4.3	3x16
Xiro SPI7.95-09-A1/ X17-45-B1	7	3~400 V, 50 Hz	45	87.8	4.3	3x16
Xiro SPI7.95-10-A1/ X17-55-B1	7	3~400 V, 50 Hz	55	109.8	4.3	3x16

Information for order placements				
	Name	Art. no.	Item no. for jacket pipe cooling (vertical)	Item no. for jacket pipe cooling (horizontal)
Xiro SPI7.95-01-A1/ X16-5,5-B1	X16-WR-5,5-400-3-50-DOL-B1	6073668	-	-
Xiro SPI7.95-02-A1/ X16-11-B1	X16-WR-11-400-3-50-DOL-B1	6073669	-	-
Xiro SPI7.95-03-A1/ X16-15-B1	X16-WR-15-400-3-50-DOL-B1	6073670	-	-
Xiro SPI7.95-04-A1/ X16-22-B1	X16-WR-22-400-3-50-DOL-B1	6073671	-	-
Xiro SPI7.95-05-A1/ X16-30-B1	X16-WR-30-400-3-50-DOL-B1	6073672	-	-
Xiro SPI7.95-06-A1/ X16-37-B1	X16-WR-37-400-3-50-DOL-B1	6073673	-	-
Xiro SPI7.95-07-A1/ X16-37-B1	X16-WR-37-400-3-50-DOL-B1	6073674	-	-
Xiro SPI7.95-08-A1/ X17-45-B1	X17-WR-45-400-3-50-DOL-B1	6073675	-	-
Xiro SPI7.95-09-A1/ X17-45-B1	X17-WR-45-400-3-50-DOL-B1	6073676	-	-
Xiro SPI7.95-10-A1/ X17-55-B1	X17-WR-55-400-3-50-DOL-B1	6073677	-	-

Dimension drawing (variable)

Wilo-Xiro SPI



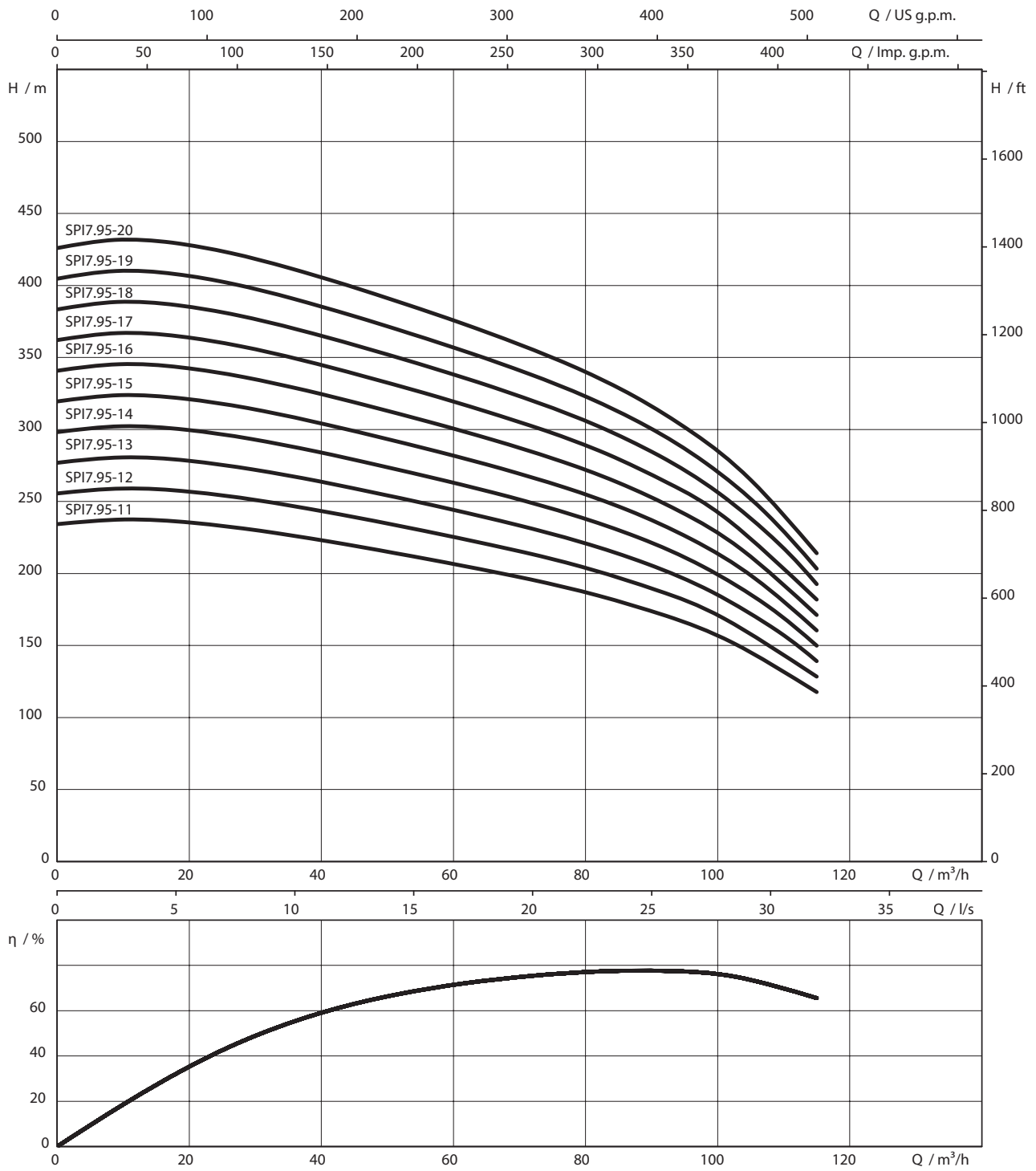
Dimensions, weights

Type	Dimensions						Net weight, approx. m kg	Installation approx.
	H1	H2 mm	H	C1	Ø mm	M		
Xiro SPI7.95-01-A1/ XI6-5,5-B1	571	605	1176	-	172	142	70	V+H 1)
Xiro SPI7.95-02-A1/ XI6-11-B1	699	778	1477	-	172	142	90	V+H 1)
Xiro SPI7.95-03-A1/ XI6-15-B1	827	900	1727	-	172	142	106	V+H 1)
Xiro SPI7.95-04-A1/ XI6-22-B1	955	1033	1988	-	172	142	125	V+H 1)
Xiro SPI7.95-05-A1/ XI6-30-B1	1083	1174	2257	-	172	142	145	V+H 1)
Xiro SPI7.95-06-A1/ XI6-37-B1	1211	1274	2485	-	172	142	156	V+H 1)
Xiro SPI7.95-07-A1/ XI6-37-B1	1339	1274	2613	-	172	142	160	V+H 1)
Xiro SPI7.95-08-A1/ XI7-45-B1	1469	1066	2533	-	172	172	181	V+H 1)
Xiro SPI7.95-09-A1/ XI7-45-B1	1595	1066	2661	-	172	172	185	V+H 1)
Xiro SPI7.95-10-A1/ XI7-55-B1	1723	1250	2973	-	172	172	200	V+H 1)

Pump with non-return valve, ¹⁾ On request, ³⁾ Max. Ø for power cable configuration in accordance with I_n

Pump curve

Xiro SPI 7.95



3~400 V, 50 Hz, $\rho = 1 \text{ kg/dm}^3$, $\nu = 1 \times 10^{-6} \text{ m}^2/\text{s}$, ISO 9906 Annex A

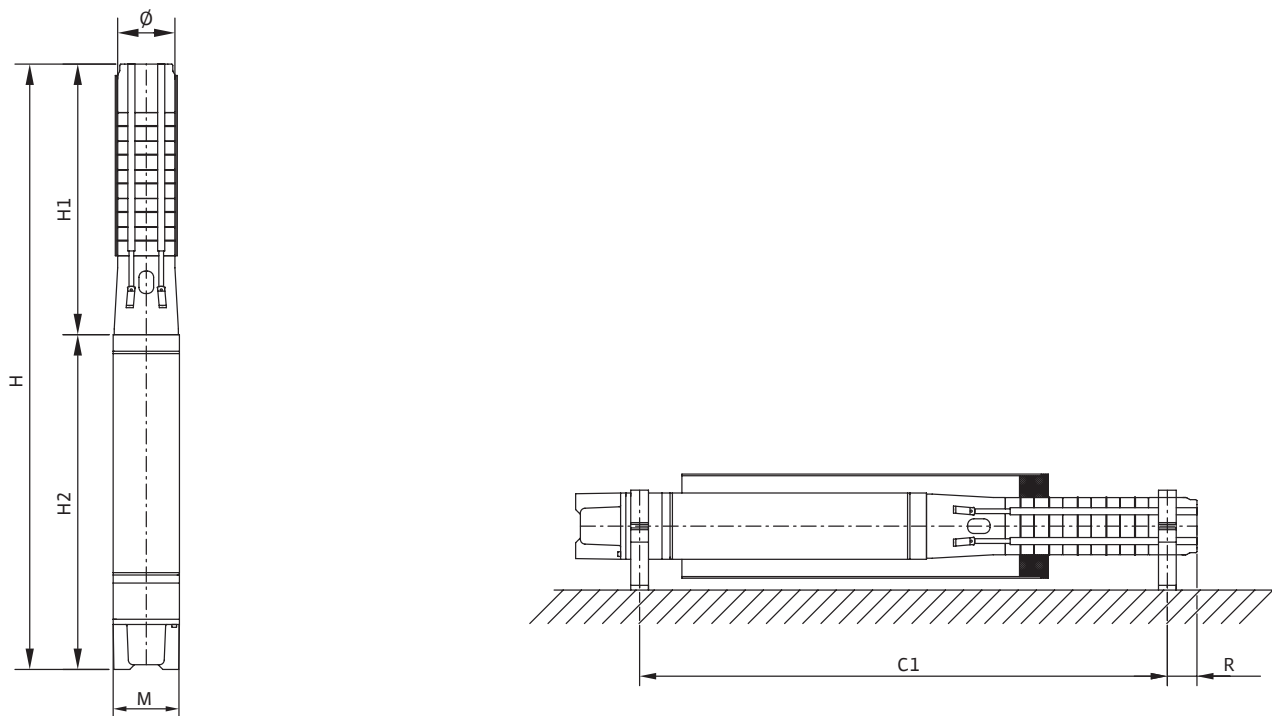
Subject to change without prior notice – Version dated June 2020.

Motor data						
	Motor diameter	Mains connection	Rated power	Rated current	Connection cable length	Cable cross-section
	DM in		P_2 kW	I_N A	D m	mm ²
Xiro SPI7.95-11-A1/ X18-60-B1	8	3~400 V, 50 Hz	60	115.7	4.3	3x10
Xiro SPI7.95-12-A1/ X18-67-B1	8	3~400 V, 50 Hz	67	129.3	4.3	3x16
Xiro SPI7.95-13-A1/ X18-75-B1	8	3~400 V, 50 Hz	75	144.7	4.3	3x16
Xiro SPI7.95-14-A1/ X18-75-B1	8	3~400 V, 50 Hz	75	144.7	4.3	3x16
Xiro SPI7.95-15-A1/ X18-81-B1	8	3~400 V, 50 Hz	81	156.3	4.3	3x16
Xiro SPI7.95-16-A1/ X18-92-B1	8	3~400 V, 50 Hz	92	177.5	4.3	3x16
Xiro SPI7.95-17-A1/ X18-92-B1	8	3~400 V, 50 Hz	92	177.5	4.3	3x16
Xiro SPI7.95-18-A1/ XC10-110-A1	10	3~400 V, 50 Hz	110	210	4.3	3x25
Xiro SPI7.95-19-A1/ XC10-110-A1	10	3~400 V, 50 Hz	110	210	4.3	3x25
Xiro SPI7.95-20-A1/ XC10-110-A1	10	3~400 V, 50 Hz	110	210	4.3	3x25

Information for order placements				
	Name	Art. no.	Item no. for jacket pipe cooling (vertical)	Item no. for jacket pipe cooling (horizontal)
Xiro SPI7.95-11-A1/ X18-60-B1	X18-WR-60-400-3-50-DOL-B1	6073678	-	-
Xiro SPI7.95-12-A1/ X18-67-B1	X18-WR-67-400-3-50-DOL-B1	6073679	-	-
Xiro SPI7.95-13-A1/ X18-75-B1	X18-WR-75-400-3-50-DOL-B1	6073680	-	-
Xiro SPI7.95-14-A1/ X18-75-B1	X18-WR-75-400-3-50-DOL-B1	6073681	-	-
Xiro SPI7.95-15-A1/ X18-81-B1	X18-WR-81-400-3-50-DOL-B1	6073682	-	-
Xiro SPI7.95-16-A1/ X18-92-B1	X18-WR-92-400-3-50-DOL-B1	6073683	-	-
Xiro SPI7.95-17-A1/ X18-92-B1	X18-WR-92-400-3-50-DOL-B1	6073684	-	-
Xiro SPI7.95-18-A1/ XC10-110-A1	XC10-WR-110-400-3-50-DOL-A1	6073685	-	-
Xiro SPI7.95-19-A1/ XC10-110-A1	XC10-WR-110-400-3-50-DOL-A1	6073686	-	-
Xiro SPI7.95-20-A1/ XC10-110-A1	XC10-WR-110-400-3-50-DOL-A1	6073687	-	-

Dimension drawing (variable)

Wilo-Xiro SPI



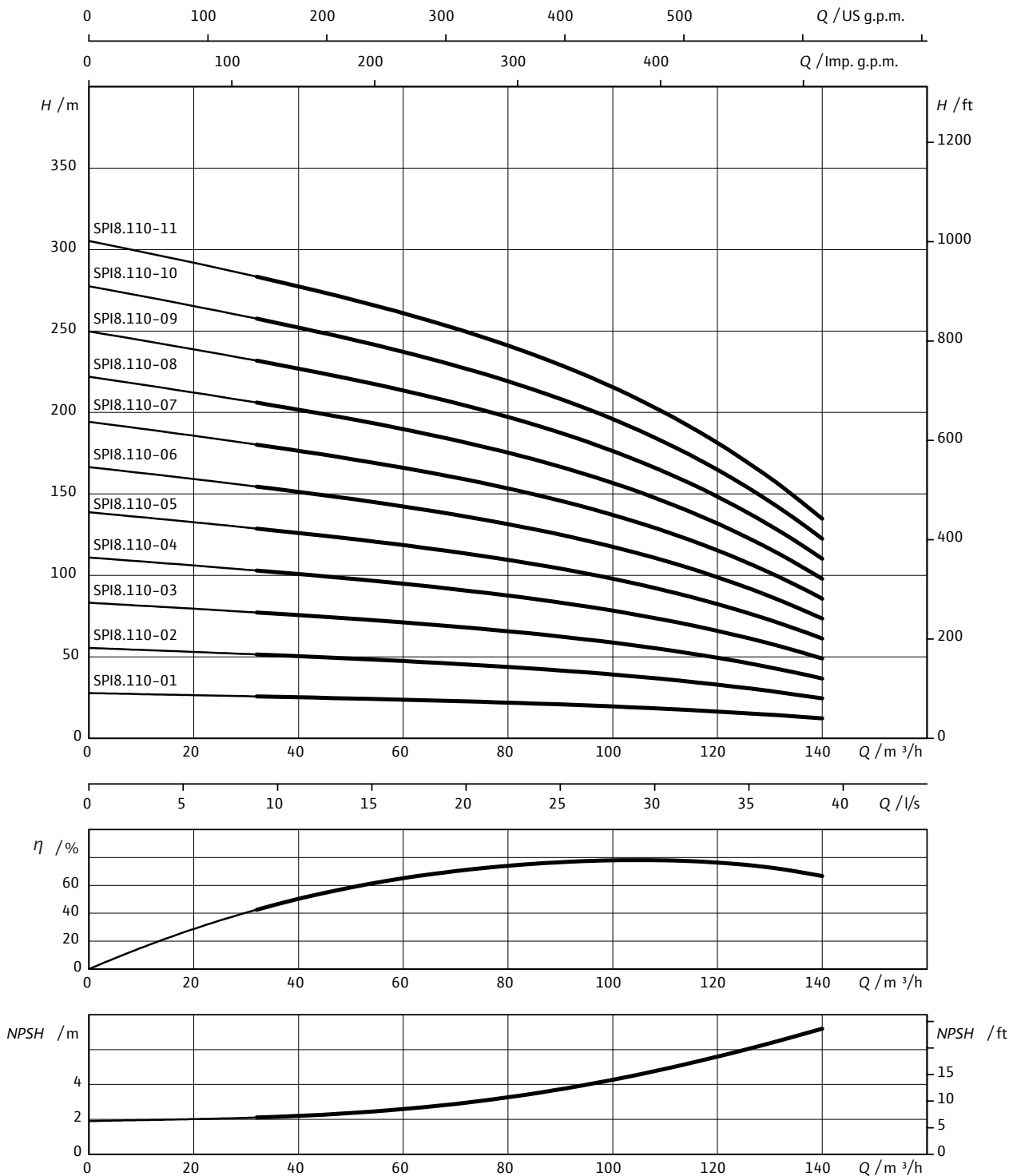
Dimensions, weights

Type	Dimensions						Net weight, approx. m kg	Installation approx.
	H1	H2 mm	H	C1	Ø mm	M		
Xiro SPI7.95-11-A1/ XI8-60-B1	1851	1240	3091	-	172	192	66	V+H 1)
Xiro SPI7.95-12-A1/ XI8-67-B1	1979	1265	3244	-	172	192	70	V+H 1)
Xiro SPI7.95-13-A1/ XI8-75-B1	2107	1290	3397	-	172	192	74	V+H 1)
Xiro SPI7.95-14-A1/ XI8-75-B1	2235	1290	3525	-	172	192	78	V+H 1)
Xiro SPI7.95-15-A1/ XI8-81-B1	2363	1370	3733	-	172	192	82	V+H 1)
Xiro SPI7.95-16-A1/ XI8-92-B1	2491	1435	3926	-	172	192	86	V+H 1)
Xiro SPI7.95-17-A1/ XI8-92-B1	2619	1435	4054	-	172	192	90	V+H 1)
Xiro SPI7.95-18-A1/ XC10-110-A1	2747	1329	4156	-	172	231	94	V+H 1)
Xiro SPI7.95-19-A1/ XC10-110-A1	2875	1329	4284	-	172	231	98	V+H 1)
Xiro SPI7.95-20-A1/ XC10-110-A1	3003	1329	4412	-	172	231	102	V+H 1)

Pump with non-return valve, ¹⁾ On request, ³⁾ Max. Ø for power cable configuration in accordance with I_n

Pump curve

Xiro SPI 8.110



3~400 V, 50 Hz, $\rho = 1 \text{ kg/dm}^3$, $\nu = 1 \times 10^{-6} \text{ m}^2/\text{s}$, ISO 9906 Annex A

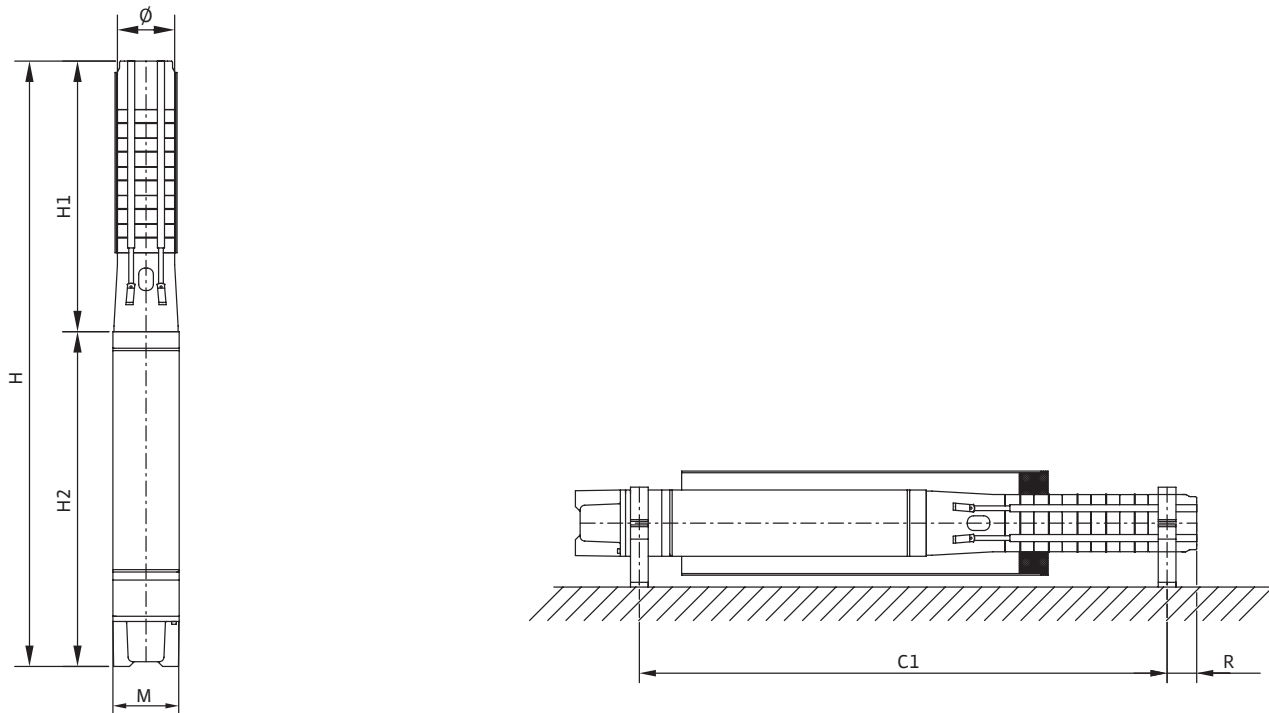
Subject to change without prior notice – Version dated June 2020.

Motor data						
	Motor diameter	Mains connection	Rated power	Rated current	Connection cable length	Cable cross-section
	DM in		P_2 kW	I_N A	D m	mm ²
Xiro SPI8.110-01-A1/ XI6-7,5-B1	6	3~400 V, 50 Hz	7.5	16.5	4.3	3x2,5
Xiro SPI8.110-02-A1/ XI6-15-B1	6	3~400 V, 50 Hz	15	32.2	4.3	3x4
Xiro SPI8.110-03-A1/ XI6-22-B1	6	3~400 V, 50 Hz	22	46.7	4.3	3x6
Xiro SPI8.110-04-A1/ XI6-30-B1	6	3~400 V, 50 Hz	30	62.1	4.3	3x6
Xiro SPI8.110-05-A1/ XI6-37-B1	6	3~400 V, 50 Hz	37	76.7	4.3	3x6
Xiro SPI8.110-06-A1/ XI7-45-B1	7	3~400 V, 50 Hz	45	87.8	4.3	3x16
Xiro SPI8.110-07-A1/ XI7-52-B1	7	3~400 V, 50 Hz	52	102.7	4.3	3x16
Xiro SPI8.110-08-A1/ XI8-60-B1	8	3~400 V, 50 Hz	60	115.7	4.3	3x10
Xiro SPI8.110-09-A1/ XI8-67-B1	8	3~400 V, 50 Hz	67	129.3	4.3	3x16
Xiro SPI8.110-10-A1/ XI8-75-B1	8	3~400 V, 50 Hz	75	144.7	4.3	3x16
Xiro SPI8.110-11-A1/ XI8-81-B1	8	3~400 V, 50 Hz	81	156.3	4.3	3x16

Information for order placements				
	Name	Art. no.	Item no. for jacket pipe cooling (vertical)	Item no. for jacket pipe cooling (horizontal)
Xiro SPI8.110-01-A1/ XI6-7,5-B1	XI6-WR-7,5-400-3-50-DOL-B1	6073688	-	-
Xiro SPI8.110-02-A1/ XI6-15-B1	XI6-WR-15-400-3-50-DOL-B1	6073689	-	-
Xiro SPI8.110-03-A1/ XI6-22-B1	XI6-WR-22-400-3-50-DOL-B1	6073690	-	-
Xiro SPI8.110-04-A1/ XI6-30-B1	XI6-WR-30-400-3-50-DOL-B1	6073691	-	-
Xiro SPI8.110-05-A1/ XI6-37-B1	XI6-WR-37-400-3-50-DOL-B1	6073692	-	-
Xiro SPI8.110-06-A1/ XI7-45-B1	XI7-WR-45-400-3-50-DOL-B1	6073693	-	-
Xiro SPI8.110-07-A1/ XI7-52-B1	XI7-WR-52-400-3-50-DOL-B1	6073694	-	-
Xiro SPI8.110-08-A1/ XI8-60-B1	XI8-WR-60-400-3-50-DOL-B1	6073695	-	-
Xiro SPI8.110-09-A1/ XI8-67-B1	XI8-WR-67-400-3-50-DOL-B1	6073696	-	-
Xiro SPI8.110-10-A1/ XI8-75-B1	XI8-WR-75-400-3-50-DOL-B1	6073697	-	-
Xiro SPI8.110-11-A1/ XI8-81-B1	XI8-WR-81-400-3-50-DOL-B1	6073698	-	-

Dimension drawing (variable)

Wilo-Xiro SPI



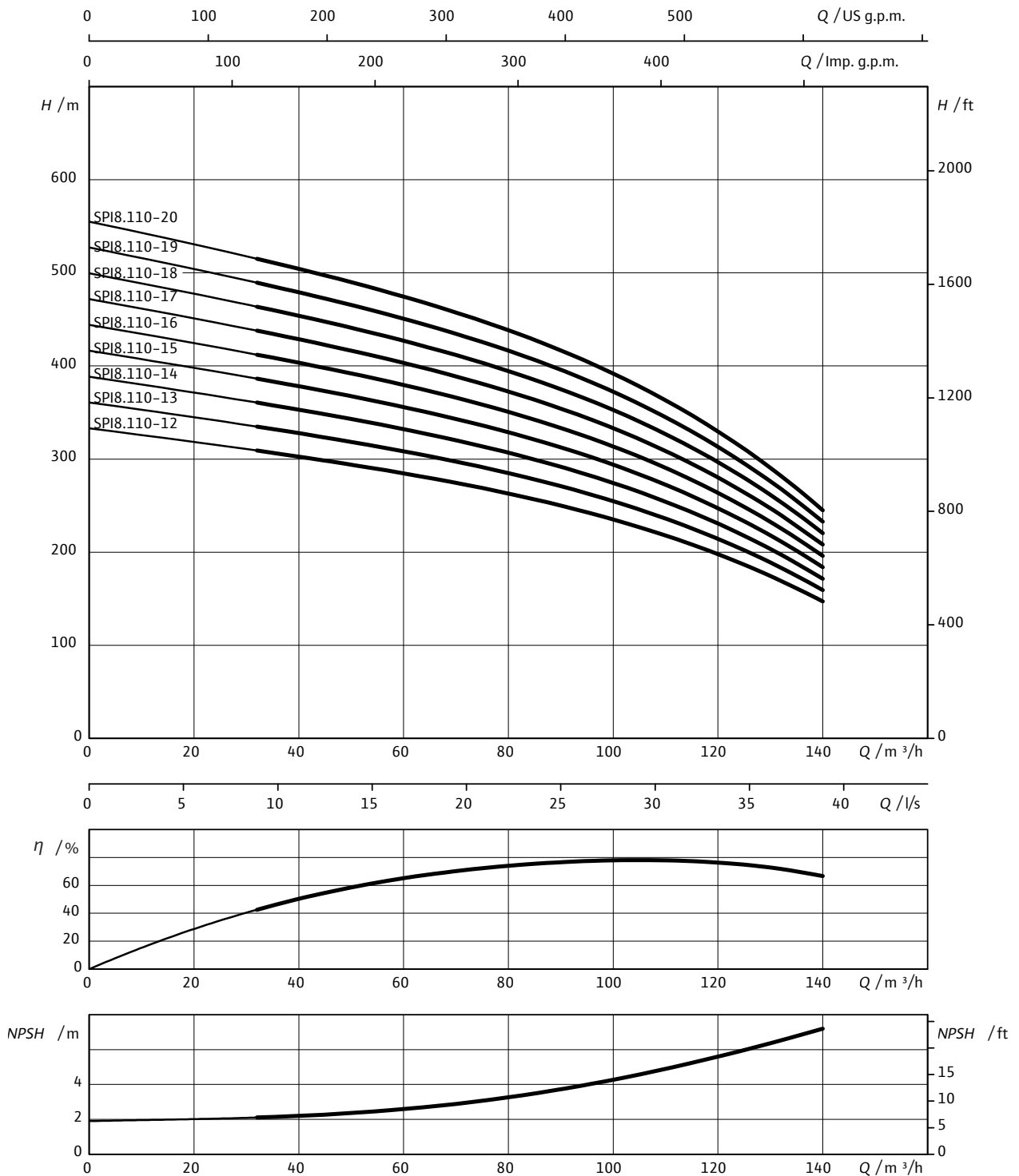
Dimensions, weights

Type	Dimensions						Net weight, approx. m kg	Installation approx.
	H1	H2 mm	H	C1	Ø mm	M		
Xiro SPI8.110-01-A1/ X16-7,5-B1	686	685	1371	-	213	142	82	V+H 1)
Xiro SPI8.110-02-A1/ X16-15-B1	842	900	1742	-	213	142	110	V+H 1)
Xiro SPI8.110-03-A1/ X16-22-B1	997	1033	2030	-	213	142	132	V+H 1)
Xiro SPI8.110-04-A1/ X16-30-B1	1153	1174	2327	-	213	142	154	V+H 1)
Xiro SPI8.110-05-A1/ X16-37-B1	1309	1274	2583	-	213	142	167	V+H 1)
Xiro SPI8.110-06-A1/ X17-45-B1	1465	1066	2531	-	213	172	191	V+H 1)
Xiro SPI8.110-07-A1/ X17-52-B1	1620	1145	2765	-	213	172	208	V+H 1)
Xiro SPI8.110-08-A1/ X18-60-B1	1776	1240	3016	-	213	192	261	V+H 1)
Xiro SPI8.110-09-A1/ X18-67-B1	1932	1265	3197	-	213	192	269	V+H 1)
Xiro SPI8.110-10-A1/ X18-75-B1	2087	1290	3377	-	213	192	284	V+H 1)
Xiro SPI8.110-11-A1/ X18-81-B1	2243	1370	3613	-	213	192	305	V+H 1)

Pump with non-return valve, ¹⁾ On request, ³⁾ Max. Ø for power cable configuration in accordance with I_n

Pump curve

Xiro SPI 8.110



3~400 V, 50 Hz, $\rho = 1 \text{ kg/dm}^3$, $\nu = 1 \times 10^{-6} \text{ m}^2/\text{s}$, ISO 9906 Annex A

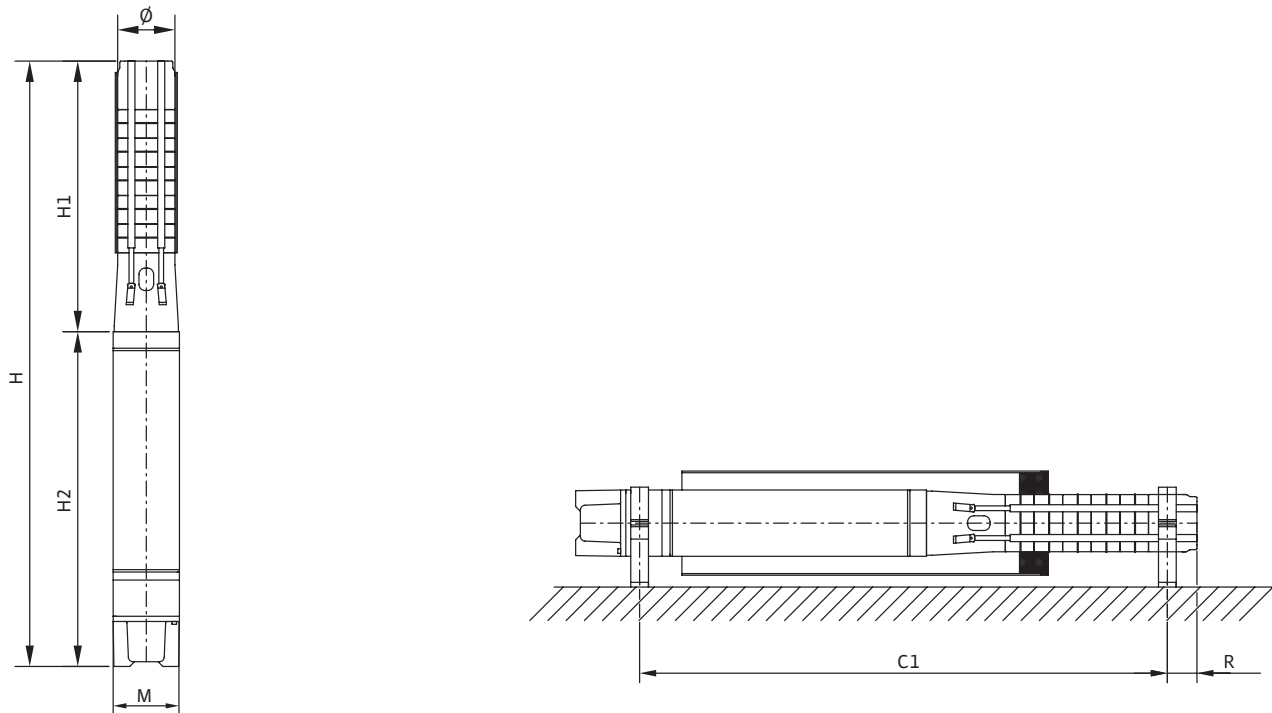
Subject to change without prior notice – Version dated June 2020.

Motor data						
	Motor diameter	Mains connection	Rated power	Rated current	Connection cable length	Cable cross-section
	DM in		P_2 kW	I_N A	D m	mm ²
Xiro SPI8.110-12-A1/ XI8-92-B1	8	3~400 V, 50 Hz	92	177.5	4.3	3x16
Xiro SPI8.110-13-A1/ XI8-92-B1	8	3~400 V, 50 Hz	92	177.5	4.3	3x16
Xiro SPI8.110-14-A1/ XC10-110-A1	10	3~400 V, 50 Hz	110	210	4.3	3x25
Xiro SPI8.110-15-A1/ XC10-110-A1	10	3~400 V, 50 Hz	110	210	4.3	3x25
Xiro SPI8.110-16-A1/ XC10-129-A1	10	3~400 V, 50 Hz	129	238	4.3	3x25
Xiro SPI8.110-17-A1/ XC10-129-A1	10	3~400 V, 50 Hz	129	238	4.3	3x25
Xiro SPI8.110-18-A1/ XC10-129-A1	10	3~400 V, 50 Hz	129	238	4.3	3x25
Xiro SPI8.110-19-A1/ XC10-147-A1	10	3~400 V, 50 Hz	147	274	4.3	3x35
Xiro SPI8.110-20-A1/ XC10-147-A1	10	3~400 V, 50 Hz	147	274	4.3	3x35

Information for order placements				
	Name	Art. no.	Item no. for jacket pipe cooling (vertical)	Item no. for jacket pipe cooling (horizontal)
Xiro SPI8.110-12-A1/ XI8-92-B1	XI8-WR-92-400-3-50-DOL-B1	6073699	-	-
Xiro SPI8.110-13-A1/ XI8-92-B1	XI8-WR-92-400-3-50-DOL-B1	6073900	-	-
Xiro SPI8.110-14-A1/ XC10-110-A1	XC10-WR-110-400-3-50-DOL-A1	6073901	-	-
Xiro SPI8.110-15-A1/ XC10-110-A1	XC10-WR-110-400-3-50-DOL-A1	6073902	-	-
Xiro SPI8.110-16-A1/ XC10-129-A1	XC10-WR-129-400-3-50-DOL-A1	6073903	-	-
Xiro SPI8.110-17-A1/ XC10-129-A1	XC10-WR-129-400-3-50-DOL-A1	6073904	-	-
Xiro SPI8.110-18-A1/ XC10-129-A1	XC10-WR-129-400-3-50-DOL-A1	6073905	-	-
Xiro SPI8.110-19-A1/ XC10-147-A1	XC10-WR-147-400-3-50-DOL-A1	6073906	-	-
Xiro SPI8.110-20-A1/ XC10-147-A1	XC10-WR-147-400-3-50-DOL-A1	6073907	-	-

Dimension drawing (variable)

Wilo-Xiro SPI



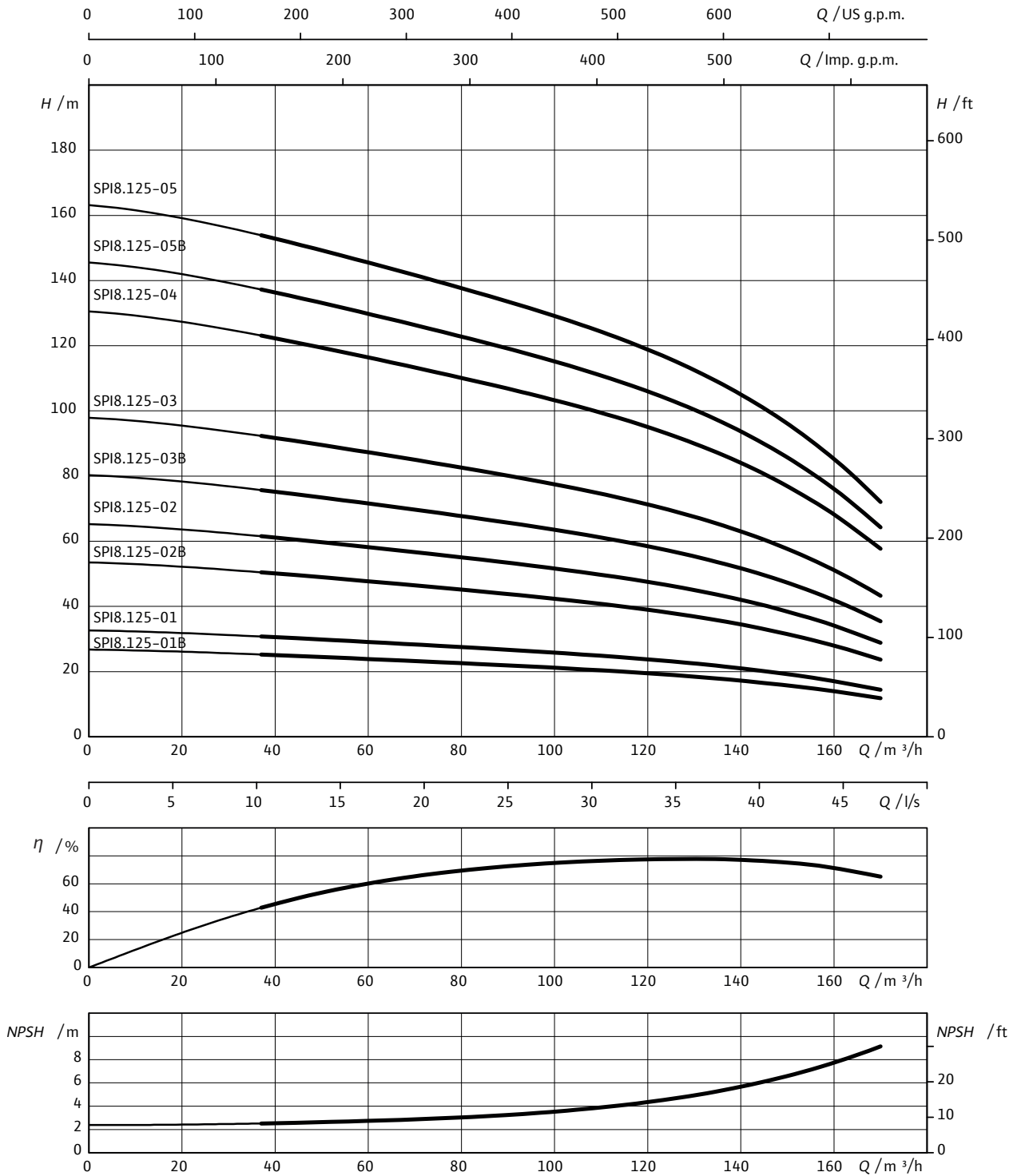
Dimensions, weights

Type	Dimensions						Net weight, approx. m kg	Installation approx.
	H1	H2 mm	H	C1	Ø mm	M		
Xiro SPI8.110-12-A1/ XI8-92-B1	2399	1435	3834	-	213	192	313	V+H 1)
Xiro SPI8.110-13-A1/ XI8-92-B1	2554	1435	3989	-	213	192	320	V+H 1)
Xiro SPI8.110-14-A1/ XC10-110-A1	2710	1329	4119	-	213	231	425	V+H 1)
Xiro SPI8.110-15-A1/ XC10-110-A1	2866	1329	4275	-	213	231	431	V+H 1)
Xiro SPI8.110-16-A1/ XC10-129-A1	3022	1409	4531	-	213	231	465	V+H 1)
Xiro SPI8.110-17-A1/ XC10-129-A1	3177	1409	4686	-	213	231	471	V+H 1)
Xiro SPI8.110-18-A1/ XC10-129-A1	3333	1409	4842	-	213	231	477	V+H 1)
Xiro SPI8.110-19-A1/ XC10-147-A1	3489	1509	5128	-	213	231	515	V+H 1)
Xiro SPI8.110-20-A1/ XC10-147-A1	3644	1509	5283	-	213	231	522	V+H 1)

Pump with non-return valve, ¹⁾ On request, ³⁾ Max. Ø for power cable configuration in accordance with I_N

Pump curve

Xiro SPI 8.125



3~400 V, 50 Hz, $\rho = 1 \text{ kg/dm}^3$, $\nu = 1 \times 10^{-6} \text{ m}^2/\text{s}$, ISO 9906 Annex A

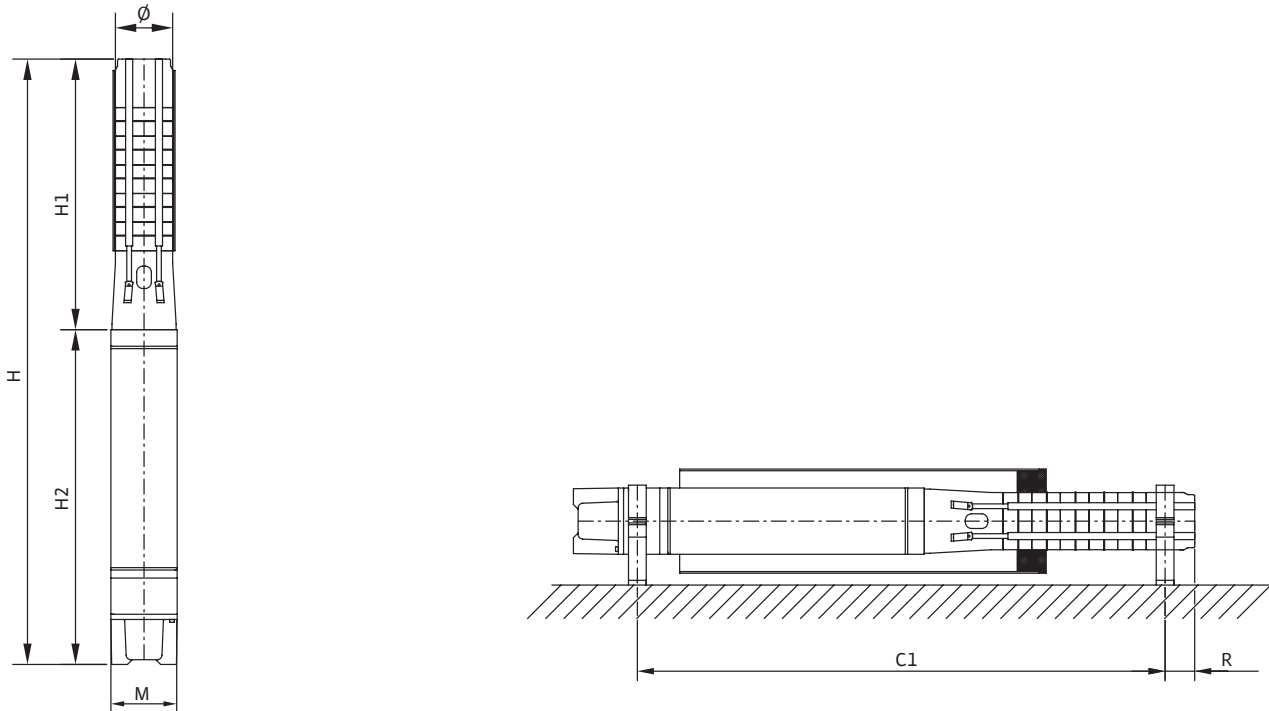
Subject to change without prior notice – Version dated June 2020.

Motor data						
	Motor diameter	Mains connection	Rated power	Rated current	Connection cable length	Cable cross-section
	DM in		P_2 kW	I_N A	D m	mm ²
Xiro SPI8.125-01-A1/ XI6-11-B1	6	3~400 V, 50 Hz	11	22.8	4.3	3x4
Xiro SPI8.125-01B- A1/XI6-9,3-B1	6	3~400 V, 50 Hz	9.3	20.2	4.3	3x2,5
Xiro SPI8.125-02-A1/ XI6-22-B1	6	3~400 V, 50 Hz	22	46.7	4.3	3x6
Xiro SPI8.125-02B- A1/XI6-18,5-B1	6	3~400 V, 50 Hz	18.5	40.2	4.3	3x4
Xiro SPI8.125-03-A1/ XI6-37-B1	6	3~400 V, 50 Hz	37	76.7	4.3	3x6
Xiro SPI8.125-03B- A1/XI6-30-B1	6	3~400 V, 50 Hz	30	62.1	4.3	3x6
Xiro SPI8.125-04-A1/ XI7-45-B1	7	3~400 V, 50 Hz	45	87.8	4.3	3x16
Xiro SPI8.125-05-A1/ XI7-55-B1	7	3~400 V, 50 Hz	55	109.8	4.3	3x16
Xiro SPI8.125-05B- A1/XI7-52-B1	7	3~400 V, 50 Hz	52	102.7	4.3	3x16

Information for order placements				
	Name	Art. no.	Item no. for jacket pipe cooling (vertical)	Item no. for jacket pipe cooling (horizontal)
Xiro SPI8.125-01-A1/ XI6-11-B1	XI6-WR-11-400-3-50-DOL-B1	6073864	-	-
Xiro SPI8.125-01B- A1/XI6-9,3-B1	XI6-WR-9,3-400-3-50-DOL-B1	6073863	-	-
Xiro SPI8.125-02-A1/ XI6-22-B1	XI6-WR-22-400-3-50-DOL-B1	6073866	-	-
Xiro SPI8.125-02B- A1/XI6-18,5-B1	XI6-WR-18,5-400-3-50-DOL-B1	6073865	-	-
Xiro SPI8.125-03-A1/ XI6-37-B1	XI6-WR-37-400-3-50-DOL-B1	6073868	-	-
Xiro SPI8.125-03B- A1/XI6-30-B1	XI6-WR-30-400-3-50-DOL-B1	6073867	-	-
Xiro SPI8.125-04-A1/ XI7-45-B1	XI7-WR-45-400-3-50-DOL-B1	6073869	-	-
Xiro SPI8.125-05-A1/ XI7-55-B1	XI7-WR-55-400-3-50-DOL-B1	6073871	-	-
Xiro SPI8.125-05B- A1/XI7-52-B1	XI7-WR-52-400-3-50-DOL-B1	6073870	-	-

Dimension drawing (variable)

Wilo-Xiro SPI



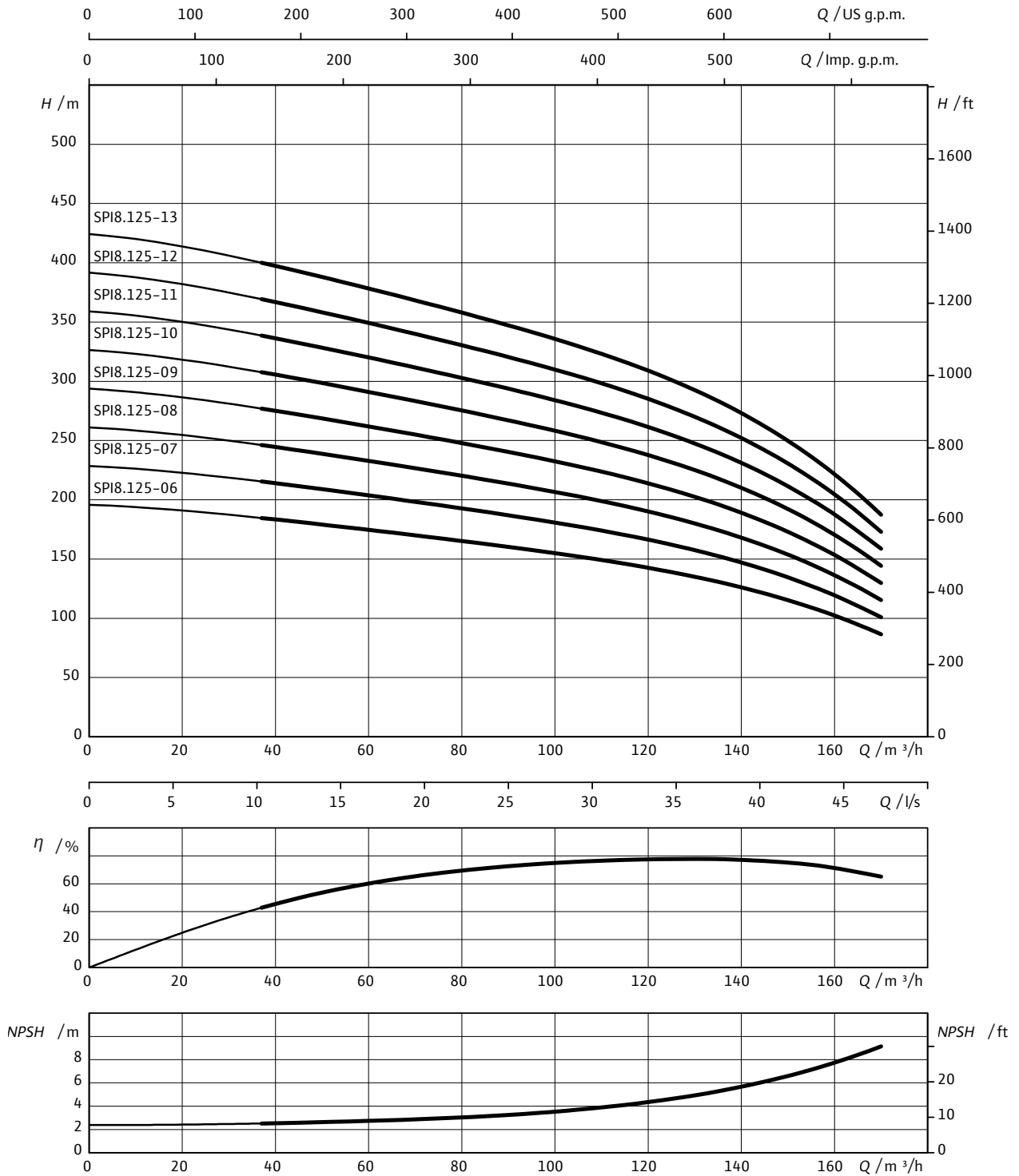
Dimensions, weights

Type	Dimensions						Net weight, approx. m kg	Installation approx.
	H1	H2 mm	H	C1	Ø mm	M		
Xiro SPI8.125-01-A1/ X16-11-B1	686	778	1464	-	213	142	92	V+H 1)
Xiro SPI8.125-01B-A1/ X16-9,3-B1	686	727	1413	-	213	142	87	V+H 1)
Xiro SPI8.125-02-A1/ X16-22-B1	842	1033	1875	-	213	142	126	V+H 1)
Xiro SPI8.125-02B-A1/ X16-18,5-B1	842	933	1775	-	213	142	115	V+H 1)
Xiro SPI8.125-03-A1/ X16-37-B1	997	1274	2271	-	213	142	155	V+H 1)
Xiro SPI8.125-03B-A1/ X16-30-B1	997	1174	2171	-	213	142	148	V+H 1)
Xiro SPI8.125-04-A1/ X17-45-B1	1153	1066	2219	-	213	172	179	V+H 1)
Xiro SPI8.125-05-A1/ X17-55-B1	1309	1250	2559	-	213	172	196	V+H 1)
Xiro SPI8.125-05B-A1/ X17-52-B1	1309	1145	2454	-	213	172	196	V+H 1)

Pump with non-return valve, ¹⁾ On request, ³⁾ Max. Ø for power cable configuration in accordance with I_N

Pump curve

Xiro SPI 8.125



3~400 V, 50 Hz, $\rho = 1 \text{ kg/dm}^3$, $\nu = 1 \times 10^{-6} \text{ m}^2/\text{s}$, ISO 9906 Annex A

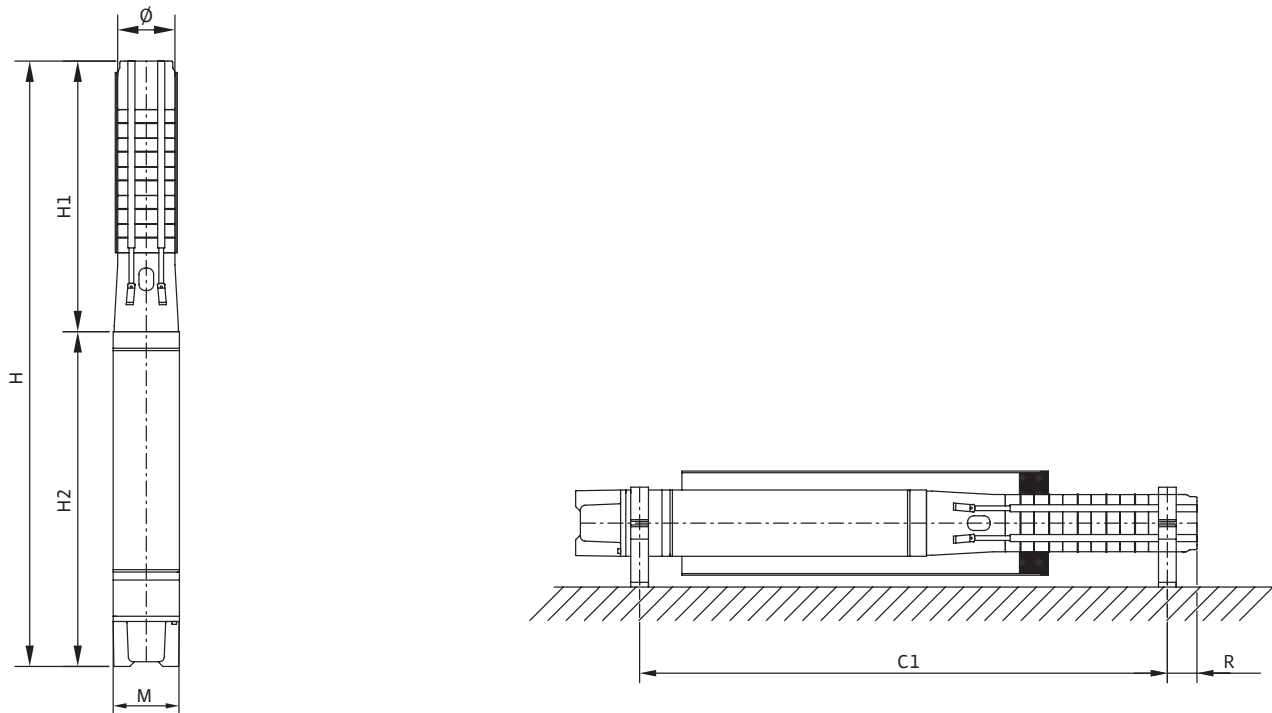
Subject to change without prior notice – Version dated June 2020.

Motor data						
	Motor diameter	Mains connection	Rated power	Rated current	Connection cable length	Cable cross-section
	DM in		P_2 kW	I_N A	D m	mm ²
Xiro SPI8.125-06-A1/ XI8-67-B1	8	3~400 V, 50 Hz	67	129.3	4.3	3x16
Xiro SPI8.125-07-A1/ XI8-75-B1	8	3~400 V, 50 Hz	75	144.7	4.3	3x16
Xiro SPI8.125-08-A1/ XI8-92-B1	8	3~400 V, 50 Hz	92	177.5	4.3	3x16
Xiro SPI8.125-09-A1/ XC10-110-A1	10	3~400 V, 50 Hz	110	210	4.3	3x25
Xiro SPI8.125-10-A1/ XC10-110-A1	10	3~400 V, 50 Hz	110	210	4.3	3x25
Xiro SPI8.125-11-A1/ XC10-129-A1	10	3~400 V, 50 Hz	129	238	4.3	3x25
Xiro SPI8.125-12-A1/ XC10-129-A1	10	3~400 V, 50 Hz	129	238	4.3	3x25
Xiro SPI8.125-13-A1/ XC10-147-A1	10	3~400 V, 50 Hz	147	274	4.3	3x35

Information for order placements				
	Name	Art. no.	Item no. for jacket pipe cooling (vertical)	Item no. for jacket pipe cooling (horizontal)
Xiro SPI8.125-06-A1/ XI8-67-B1	XI8-WR-67-400-3-50-DOL-B1	6073872	-	-
Xiro SPI8.125-07-A1/ XI8-75-B1	XI8-WR-75-400-3-50-DOL-B1	6073873	-	-
Xiro SPI8.125-08-A1/ XI8-92-B1	XI8-WR-92-400-3-50-DOL-B1	6073874	-	-
Xiro SPI8.125-09-A1/ XC10-110-A1	XC10-WR-110-400-3-50-DOL-A1	6073875	-	-
Xiro SPI8.125-10-A1/ XC10-110-A1	XC10-WR-110-400-3-50-DOL-A1	6073876	-	-
Xiro SPI8.125-11-A1/ XC10-129-A1	XC10-WR-129-400-3-50-DOL-A1	6073877	-	-
Xiro SPI8.125-12-A1/ XC10-129-A1	XC10-WR-129-400-3-50-DOL-A1	6073878	-	-
Xiro SPI8.125-13-A1/ XC10-147-A1	XC10-WR-147-400-3-50-DOL-A1	6073879	-	-

Dimension drawing (variable)

Wilo-Xiro SPI



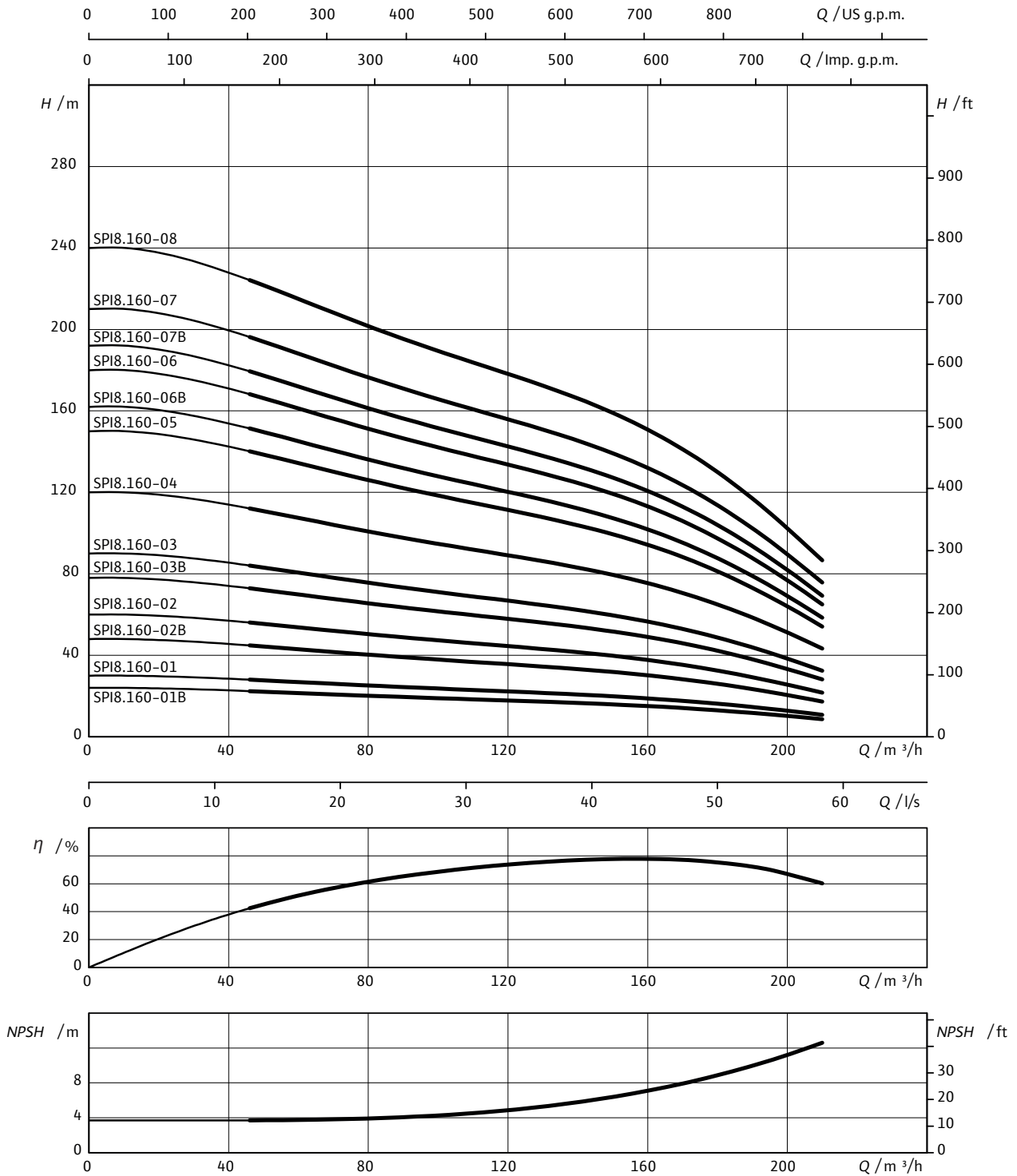
Dimensions, weights

Type	Dimensions						Net weight, approx. m kg	Installation approx.
	H1	H2 mm	H	C1	Ø mm	M		
Xiro SPI8.125-06-A1/ XI8-67-B1	1465	1265	2730	-	213	192	251	V+H 1)
Xiro SPI8.125-07-A1/ XI8-75-B1	1620	1290	2910	-	213	192	266	V+H 1)
Xiro SPI8.125-08-A1/ XI8-92-B1	1776	1435	3211	-	213	192	290	V+H 1)
Xiro SPI8.125-09-A1/ XC10-110-A1	1932	1329	3341	-	213	231	395	V+H 1)
Xiro SPI8.125-10-A1/ XC10-110-A1	2087	1329	3496	-	213	231	402	V+H 1)
Xiro SPI8.125-11-A1/ XC10-129-A1	2243	1409	3752	-	213	231	435	V+H 1)
Xiro SPI8.125-12-A1/ XC10-129-A1	2399	1409	3908	-	213	231	442	V+H 1)
Xiro SPI8.125-13-A1/ XC10-147-A1	2554	1509	4193	-	213	231	480	V+H 1)

Pump with non-return valve, ³¹ On request, ³² Max. Ø for power cable configuration in accordance with I_n

Pump curve

Xiro SPI 8.160



3~400 V, 50 Hz, $\rho = 1 \text{ kg/dm}^3$, $\nu = 1 \times 10^{-6} \text{ m}^2/\text{s}$, ISO 9906 Annex A

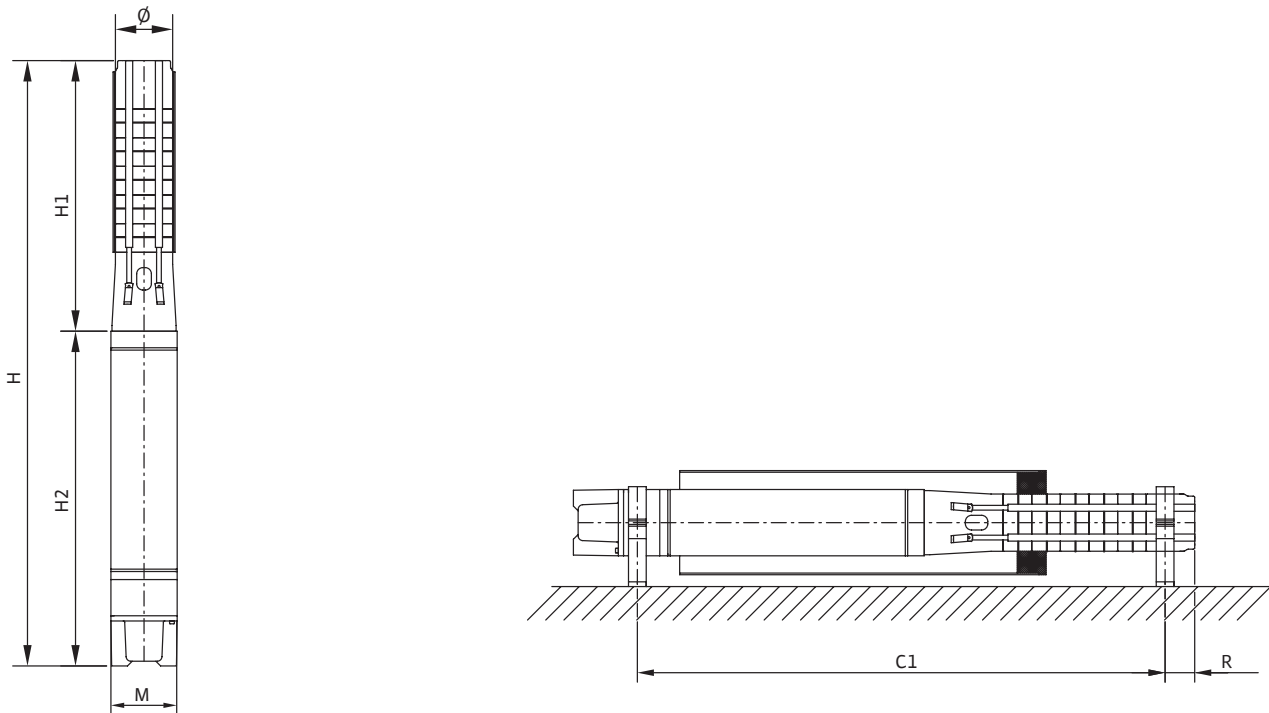
Subject to change without prior notice – Version dated June 2020.

Motor data						
	Motor diameter	Mains connection	Rated power	Rated current	Connection cable length	Cable cross-section
	DM in		P_2 kW	I_N A	D m	mm ²
Xiro SPI8.160-01-A1/ XI6-9,3-B1	6	3~400 V, 50 Hz	9.3	20.2	4.3	3x2,5
Xiro SPI8.160-01-A1/ XI6-11-B1	6	3~400 V, 50 Hz	11	22.8	4.3	3x4
Xiro SPI8.160-02-A1/ XI6-18,5-B1	6	3~400 V, 50 Hz	18.5	40.2	4.3	3x4
Xiro SPI8.160-02-A1/ XI6-22-B1	6	3~400 V, 50 Hz	22	46.7	4.3	3x6
Xiro SPI8.160-03-A1/ XI6-30-B1	6	3~400 V, 50 Hz	30	62.1	4.3	3x6
Xiro SPI8.160-03-A1/ XI6-37-B1	6	3~400 V, 50 Hz	37	76.7	4.3	3x6
Xiro SPI8.160-04-A1/ XI7-45-B1	7	3~400 V, 50 Hz	45	87.8	4.3	3x16
Xiro SPI8.160-05-A1/ XI7-55-B1	7	3~400 V, 50 Hz	55	109.8	4.3	3x16
Xiro SPI8.160-06-A1/ XI8-60-B1	8	3~400 V, 50 Hz	60	115.7	4.3	3x10
Xiro SPI8.160-06-A1/ XI8-67-B1	8	3~400 V, 50 Hz	67	129.3	4.3	3x16
Xiro SPI8.160-07-A1/ XI8-75-B1	8	3~400 V, 50 Hz	75	144.7	4.3	3x16
Xiro SPI8.160-07-A1/ XI8-81-B1	8	3~400 V, 50 Hz	81	156.3	4.3	3x16
Xiro SPI8.160-08-A1/ XI8-92-B1	8	3~400 V, 50 Hz	92	177.5	4.3	3x16

Information for order placements				
	Name	Art. no.	Item no. for jacket pipe cooling (vertical)	Item no. for jacket pipe cooling (horizontal)
Xiro SPI8.160-01-A1/ XI6-9,3-B1	XI6-WR-9,3-400-3-50-DOL-B1	6074003	-	-
Xiro SPI8.160-01-A1/ XI6-11-B1	XI6-WR-11-400-3-50-DOL-B1	6074004	-	-
Xiro SPI8.160-02-A1/ XI6-18,5-B1	XI6-WR-18,5-400-3-50-DOL-B1	6074005	-	-
Xiro SPI8.160-02-A1/ XI6-22-B1	XI6-WR-22-400-3-50-DOL-B1	6074006	-	-
Xiro SPI8.160-03-A1/ XI6-30-B1	XI6-WR-30-400-3-50-DOL-B1	6074007	-	-
Xiro SPI8.160-03-A1/ XI6-37-B1	XI6-WR-37-400-3-50-DOL-B1	6074023	-	-
Xiro SPI8.160-04-A1/ XI7-45-B1	XI7-WR-45-400-3-50-DOL-B1	6074008	-	-
Xiro SPI8.160-05-A1/ XI7-55-B1	XI7-WR-55-400-3-50-DOL-B1	6074009	-	-
Xiro SPI8.160-06-A1/ XI8-60-B1	XI8-WR-60-400-3-50-DOL-B1	6074010	-	-
Xiro SPI8.160-06-A1/ XI8-67-B1	XI8-WR-67-400-3-50-DOL-B1	6074011	-	-
Xiro SPI8.160-07-A1/ XI8-75-B1	XI8-WR-75-400-3-50-DOL-B1	6074012	-	-
Xiro SPI8.160-07-A1/ XI8-81-B1	XI8-WR-81-400-3-50-DOL-B1	6074013	-	-
Xiro SPI8.160-08-A1/ XI8-92-B1	XI8-WR-92-400-3-50-DOL-B1	6074014	-	-

Dimension drawing (variable)

Wilo-Xiro SPI



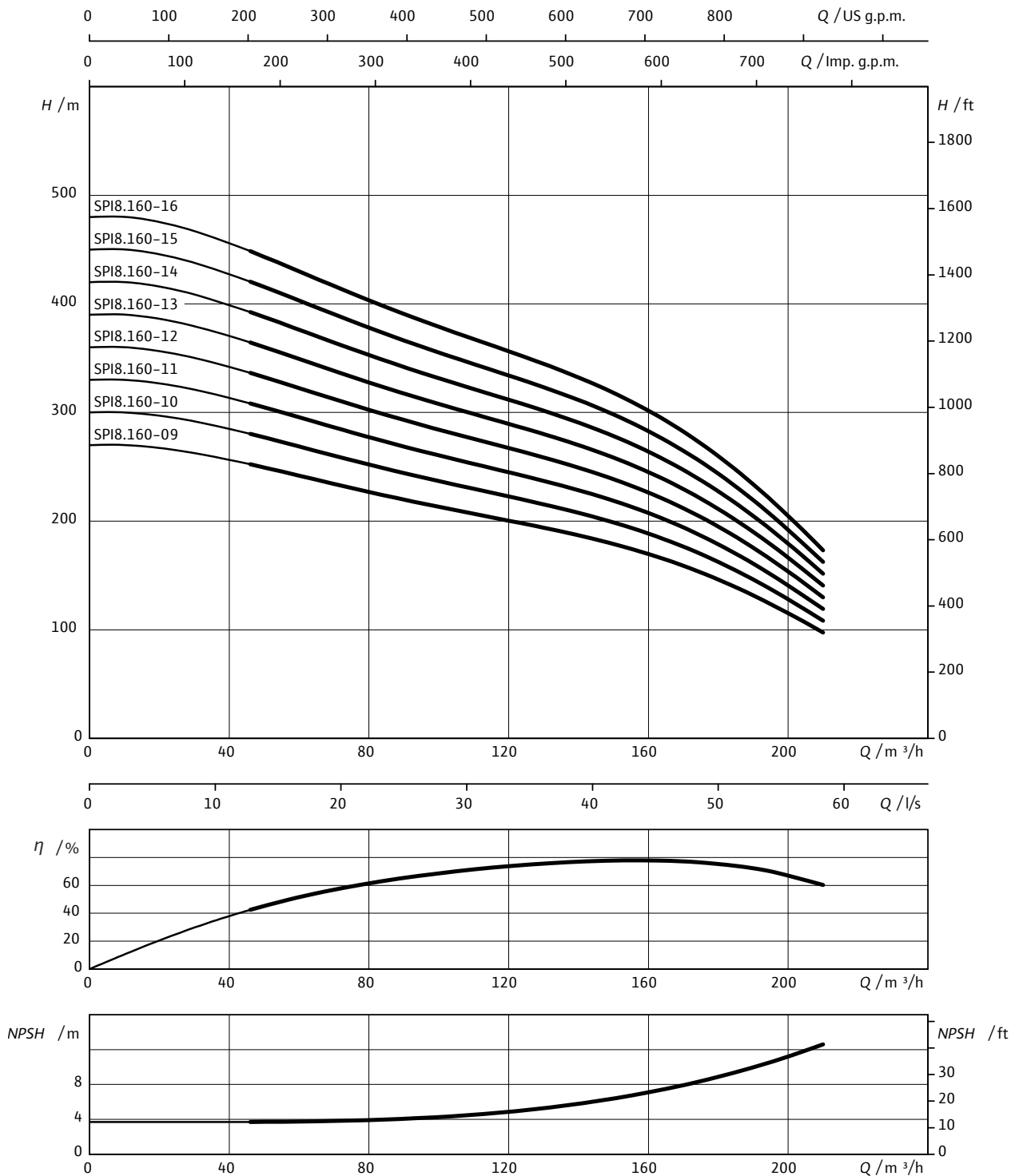
Dimensions, weights

Type	Dimensions						Net weight, approx. m kg	Installation
	H1	H2 mm	H	C1	Ø mm	M		
Xiro SPI8.160-01-A1/ X16-9,3-B1	686	727	1413	-	226	142	89	V+H 1)
Xiro SPI8.160-01-A1/ X16-11-B1	686	778	1464	-	226	142	94	V+H 1)
Xiro SPI8.160-02-A1/ X16-18,5-B1	842	933	1775	-	226	142	116	V+H 1)
Xiro SPI8.160-02-A1/ X16-22-B1	842	1033	1875	-	226	142	127	V+H 1)
Xiro SPI8.160-03-A1/ X16-30-B1	997	1174	2171	-	226	142	150	V+H 1)
Xiro SPI8.160-03-A1/ X16-37-B1	997	1274	2271	-	226	142	157	V+H 1)
Xiro SPI8.160-04-A1/ X17-45-B1	1153	1066	2219	-	226	172	180	V+H 1)
Xiro SPI8.160-05-A1/ X17-55-B1	1309	1250	2559	-	226	172	198	V+H 1)
Xiro SPI8.160-06-A1/ X18-60-B1	1465	1240	2705	-	226	192	251	V+H 1)
Xiro SPI8.160-06-A1/ X18-67-B1	1465	1265	2730	-	226	192	252	V+H 1)
Xiro SPI8.160-07-A1/ X18-75-B1	1620	1290	2910	-	226	192	268	V+H 1)
Xiro SPI8.160-07-A1/ X18-81-B1	1620	1370	2990	-	226	192	283	V+H 1)
Xiro SPI8.160-08-A1/ X18-92-B1	1776	1435	3211	-	226	192	291	V+H 1)

Pump with non-return valve, ¹⁾ On request, ³⁾ Max. Ø for power cable configuration in accordance with I_n

Pump curve

Xiro SPI 8.160



3~400 V, 50 Hz, $\rho = 1 \text{ kg/dm}^3$, $\nu = 1 \times 10^{-6} \text{ m}^2/\text{s}$, ISO 9906 Annex A

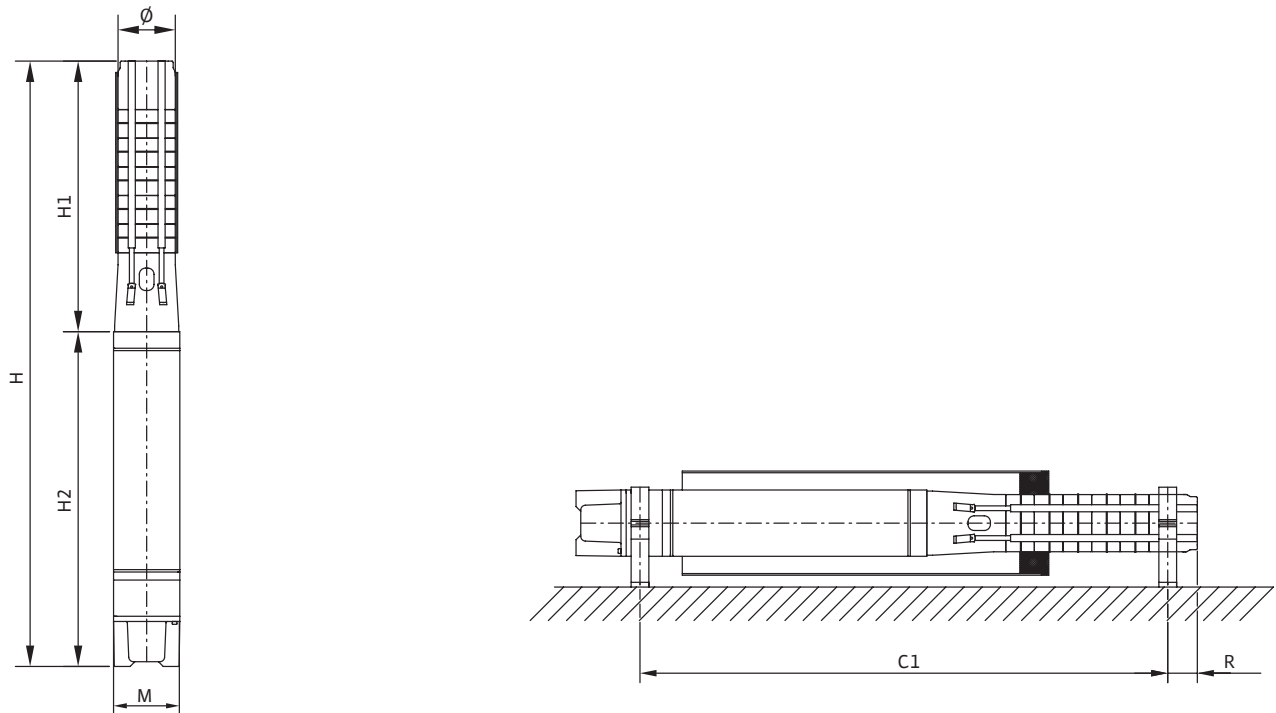
Subject to change without prior notice – Version dated June 2020.

Motor data						
	Motor diameter	Mains connection	Rated power	Rated current	Connection cable length	Cable cross-section
	DM in		P_2 kW	I_N A	D m	mm ²
Xiro SPI8.160-09-A1/ XC10-110-A1	10	3~400 V, 50 Hz	110	210	4.3	3x25
Xiro SPI8.160-10-A1/ XC10-110-A1	10	3~400 V, 50 Hz	110	210	4.3	3x25
Xiro SPI8.160-11-A1/ XC10-129-A1	10	3~400 V, 50 Hz	129	238	4.3	3x25
Xiro SPI8.160-12-A1/ XC10-147-A1	10	3~400 V, 50 Hz	147	274	4.3	3x35
Xiro SPI8.160-13-A1/ XC10-147-A1	10	3~400 V, 50 Hz	147	274	4.3	3x35
Xiro SPI8.160-14-A1/ XC10-166-A1	10	3~400 V, 50 Hz	166	309	4.3	3x35
Xiro SPI8.160-15-A1/ XC10-185-A1	10	3~400 V, 50 Hz	185	349	4.3	3x35
Xiro SPI8.160-16-A1/ XC10-185-A1	10	3~400 V, 50 Hz	185	349	4.3	3x35

Information for order placements				
	Name	Art. no.	Item no. for jacket pipe cooling (vertical)	Item no. for jacket pipe cooling (horizontal)
Xiro SPI8.160-09-A1/ XC10-110-A1	XC10-WR-110-400-3-50-DOL-A1	6074015	-	-
Xiro SPI8.160-10-A1/ XC10-110-A1	XC10-WR-110-400-3-50-DOL-A1	6074016	-	-
Xiro SPI8.160-11-A1/ XC10-129-A1	XC10-WR-129-400-3-50-DOL-A1	6074017	-	-
Xiro SPI8.160-12-A1/ XC10-147-A1	XC10-WR-147-400-3-50-DOL-A1	6074018	-	-
Xiro SPI8.160-13-A1/ XC10-147-A1	XC10-WR-147-400-3-50-DOL-A1	6074019	-	-
Xiro SPI8.160-14-A1/ XC10-166-A1	XC10-WR-166-400-3-50-DOL-A1	6074020	-	-
Xiro SPI8.160-15-A1/ XC10-185-A1	XC10-WR-185-400-3-50-DOL-A1	6074021	-	-
Xiro SPI8.160-16-A1/ XC10-185-A1	XC10-WR-185-400-3-50-DOL-A1	6074022	-	-

Dimension drawing (variable)

Wilo-Xiro SPI



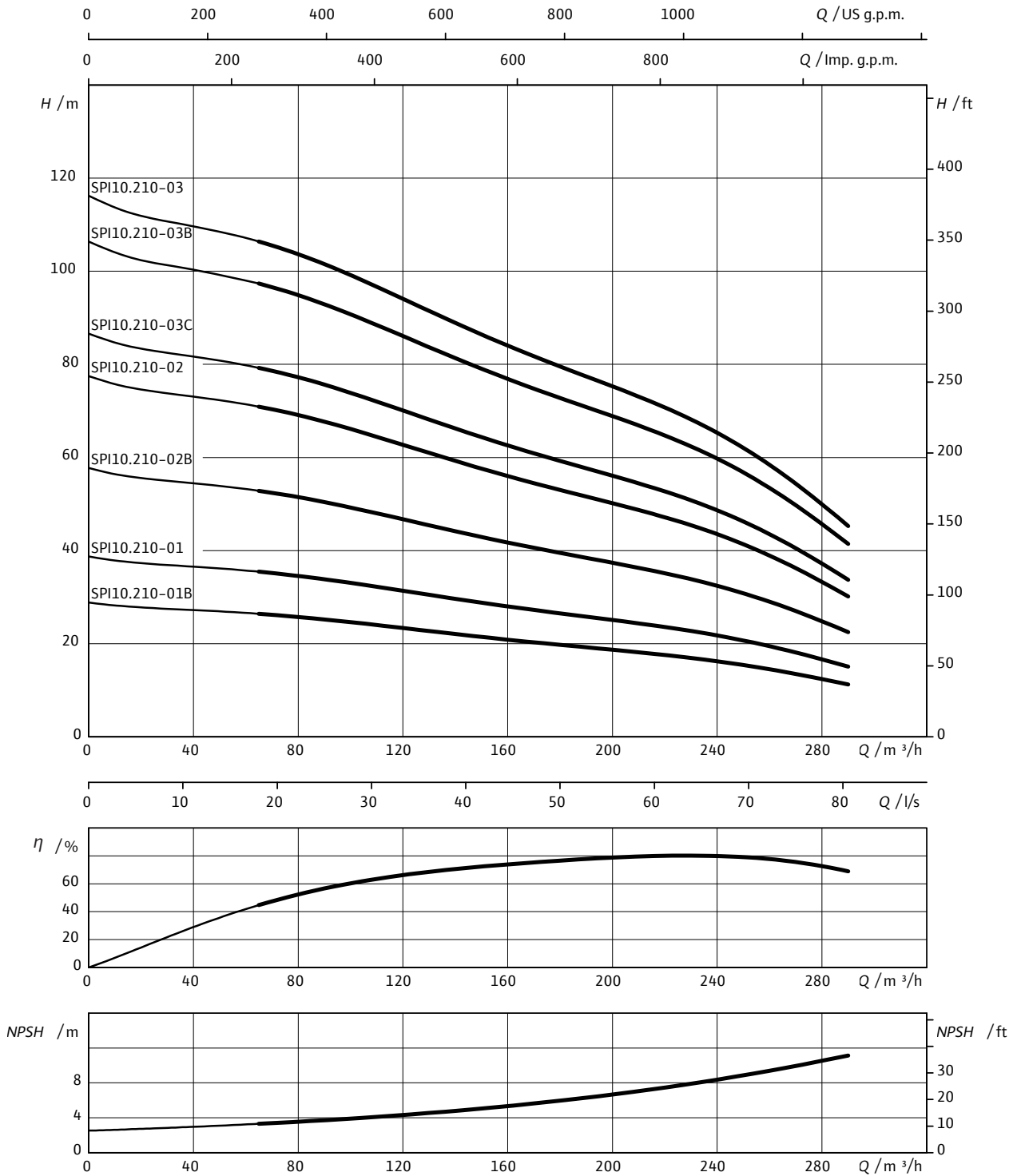
Dimensions, weights

Type	Dimensions						Net weight, approx. m kg	Installation approx.
	H1	H2 mm	H	C1	Ø mm	M		
Xiro SPI8.160-09-A1/ XC10-110-A1	1932	1329	3341	-	226	231	397	V+H 1)
Xiro SPI8.160-10-A1/ XC10-110-A1	2087	1329	3496	-	226	231	403	V+H 1)
Xiro SPI8.160-11-A1/ XC10-129-A1	2243	1409	3752	-	226	231	437	V+H 1)
Xiro SPI8.160-12-A1/ XC10-147-A1	2399	1509	4038	-	226	231	475	V+H 1)
Xiro SPI8.160-13-A1/ XC10-147-A1	2554	1509	4193	-	226	231	482	V+H 1)
Xiro SPI8.160-14-A1/ XC10-166-A1	2710	1639	4429	-	226	231	518	V+H 1)
Xiro SPI8.160-15-A1/ XC10-185-A1	2866	1719	4585	-	226	231	529	V+H 1)
Xiro SPI8.160-16-A1/ XC10-185-A1	3022	1719	4741	-	226	231	536	V+H 1)

Pump with non-return valve, ¹⁾ On request, ³⁾ Max. Ø for power cable configuration in accordance with I_n

Pump curve

Xiro SPI 10.210



3~400 V, 50 Hz, $\rho = 1 \text{ kg/dm}^3$, $\nu = 1 \times 10^{-6} \text{ m}^2/\text{s}$, ISO 9906 Annex A

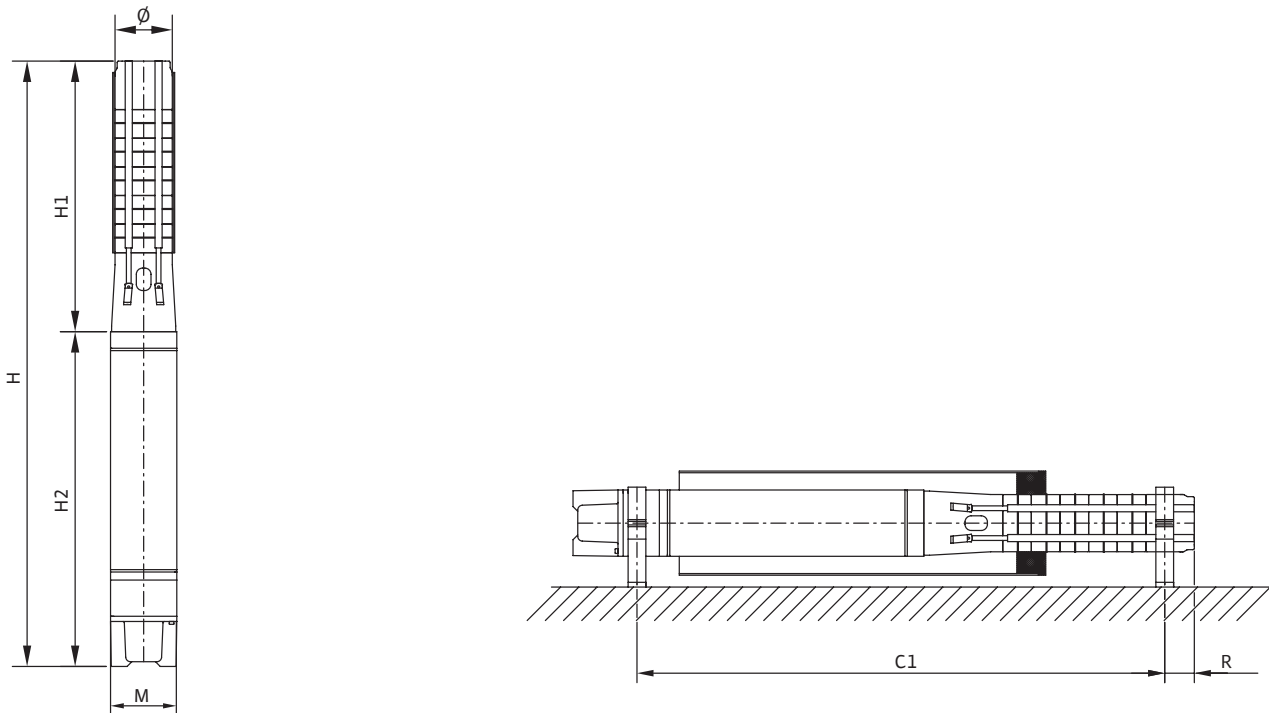
Subject to change without prior notice – Version dated June 2020.

Motor data						
	Motor diameter	Mains connection	Rated power	Rated current	Connection cable length	Cable cross-section
	DM in		P_2 kW	I_N A	D m	mm ²
Xiro SPI10.210-01-A1/XI6-18,5-B1	6	3~400 V, 50 Hz	18.5	40.2	4.3	3x4
Xiro SPI10.210-1B-A1/XI6-15-B1	6	3~400 V, 50 Hz	15	32.2	4.3	3x4
Xiro SPI10.210-02-A1/XI6-37-B1	6	3~400 V, 50 Hz	37	76.7	4.3	3x6
Xiro SPI10.210-2B-A1/XI6-30-B1	6	3~400 V, 50 Hz	30	62.1	4.3	3x6
Xiro SPI10.210-03-A1/XI8-60-B1	8	3~400 V, 50 Hz	60	115.7	4.3	3x10
Xiro SPI10.210-3B-A1/XI7-55-B1	7	3~400 V, 50 Hz	55	109.8	4.3	3x16
Xiro SPI10.210-3C-A1/XI7-45-B1	7	3~400 V, 50 Hz	45	87.8	4.3	3x16

Information for order placements				
	Name	Art. no.	Item no. for jacket pipe cooling (vertical)	Item no. for jacket pipe cooling (horizontal)
Xiro SPI10.210-01-A1/XI6-18,5-B1	XI6-WR-18,5-400-3-50-DOL-B1	6073910	-	-
Xiro SPI10.210-1B-A1/XI6-15-B1	XI6-WR-15-400-3-50-DOL-B1	6073909	-	-
Xiro SPI10.210-02-A1/XI6-37-B1	XI6-WR-37-400-3-50-DOL-B1	6073912	-	-
Xiro SPI10.210-2B-A1/XI6-30-B1	XI6-WR-30-400-3-50-DOL-B1	6073911	-	-
Xiro SPI10.210-03-A1/XI8-60-B1	XI8-WR-60-400-3-50-DOL-B1	6073915	-	-
Xiro SPI10.210-3B-A1/XI7-55-B1	XI7-WR-55-400-3-50-DOL-B1	6073914	-	-
Xiro SPI10.210-3C-A1/XI7-45-B1	XI7-WR-45-400-3-50-DOL-B1	6073913	-	-

Dimension drawing (variable)

Wilo-Xiro SPI



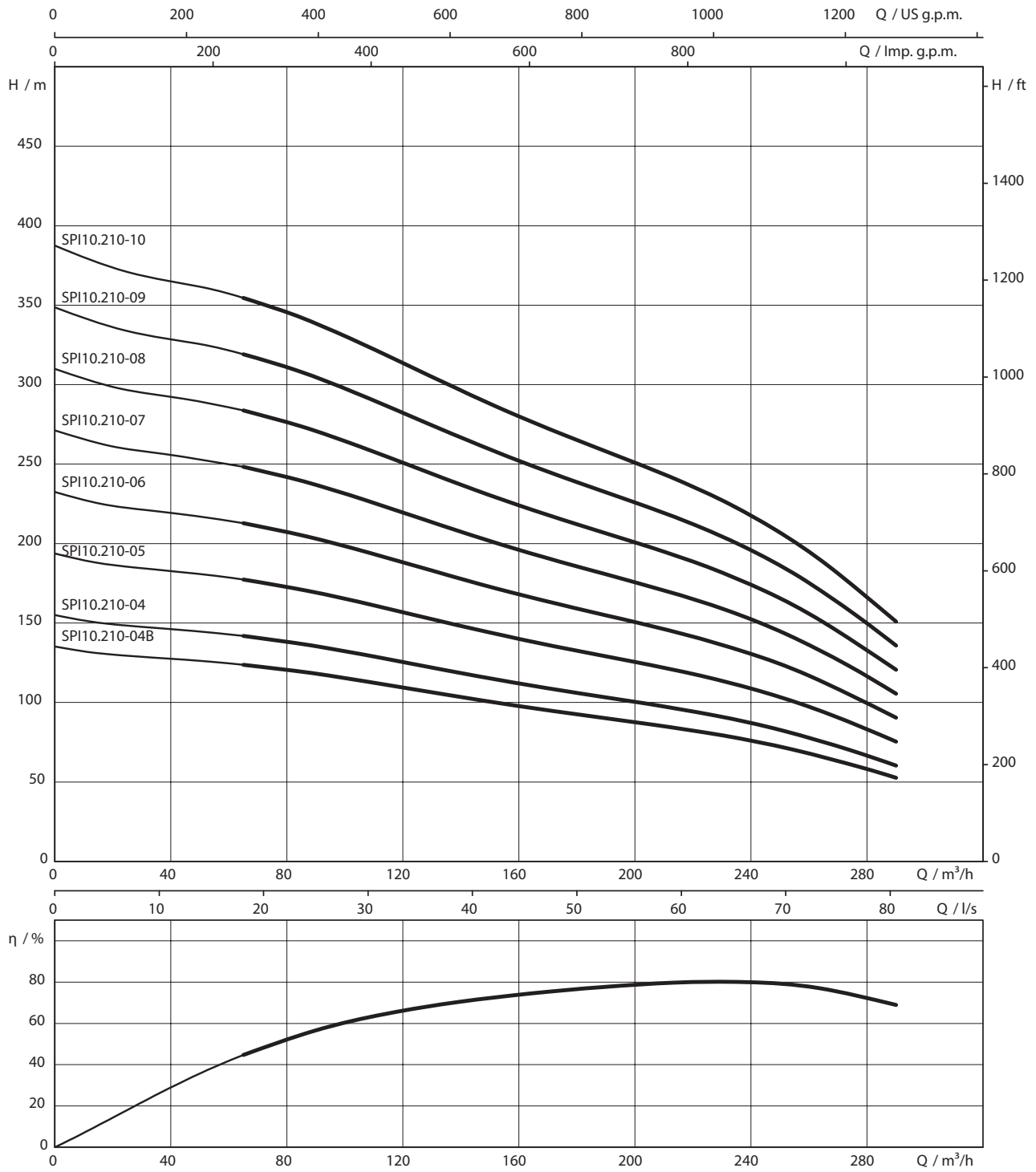
Dimensions, weights

Type	Dimensions						Net weight, approx. m kg	Installation approx.
	H1	H2 mm	H	C1	ϕ mm	M		
Xiro SPI10.210-01-A1/X16-18,5-B1	794	933	1727	-	247	142	120	V+H 1)
Xiro SPI10.210-1B-A1/X16-15-B1	794	900	1694	-	247	142	116	V+H 1)
Xiro SPI10.210-02-A1/X16-37-B1	970	1274	2144	-	247	142	165	V+H 1)
Xiro SPI10.210-2B-A1/X16-30-B1	970	1174	2144	-	247	142	158	V+H 1)
Xiro SPI10.210-03-A1/X18-60-B1	1147	1240	2387	-	247	192	251	V+H 1)
Xiro SPI10.210-3B-A1/X17-55-B1	1147	1250	2397	-	247	172	204	V+H 1)
Xiro SPI10.210-3C-A1/X17-45-B1	1147	1066	2213	-	247	172	193	V+H 1)

Pump with non-return valve, ¹⁾ On request, ³⁾ Max. ϕ for power cable configuration in accordance with I_n

Pump curve

Xiro SPI 10.210



3~400 V, 50 Hz, $\rho = 1 \text{ kg/dm}^3$, $\nu = 1 \times 10^{-6} \text{ m}^2/\text{s}$, ISO 9906 Annex A

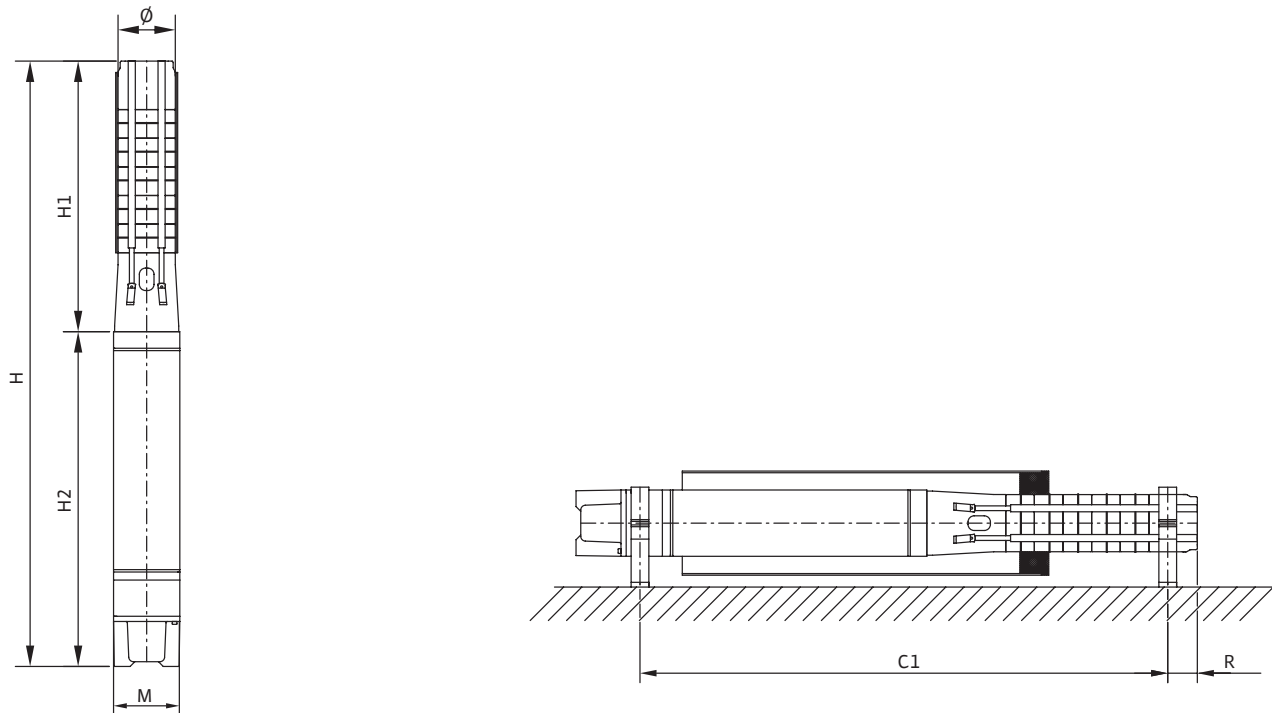
Subject to change without prior notice – Version dated June 2020.

Motor data						
	Motor diameter	Mains connection	Rated power	Rated current	Connection cable length	Cable cross-section
	DM in		P_2 kW	I_N A	D m	mm ²
Xiro SPI10.210-04-A1/XI8-75-B1	8	3~400 V, 50 Hz	75	144.7	4.3	3x16
Xiro SPI10.210-4B-A1/XI8-67-B1	8	3~400 V, 50 Hz	67	129.3	4.3	3x16
Xiro SPI10.210-05-A1/XI8-92-B1	8	3~400 V, 50 Hz	92	177.5	4.3	3x16
Xiro SPI10.210-06-A1/XC10-110-A1	10	3~400 V, 50 Hz	110	210	4.3	3x25
Xiro SPI10.210-07-A1/XC10-129-A1	10	3~400 V, 50 Hz	129	238	4.3	3x25
Xiro SPI10.210-08-A1/XC10-147-A1	10	3~400 V, 50 Hz	147	274	4.3	3x35
Xiro SPI10.210-09-A1/XC10-166-A1	10	3~400 V, 50 Hz	166	309	4.3	3x35
Xiro SPI10.210-10-A1/XC10-185-A1	10	3~400 V, 50 Hz	185	349	4.3	3x35

Information for order placements				
	Name	Art. no.	Item no. for jacket pipe cooling (vertical)	Item no. for jacket pipe cooling (horizontal)
Xiro SPI10.210-04-A1/XI8-75-B1	XI8-WR-75-400-3-50-DOL-B1	6073917	-	-
Xiro SPI10.210-4B-A1/XI8-67-B1	XI8-WR-67-400-3-50-DOL-B1	6073916	-	-
Xiro SPI10.210-05-A1/XI8-92-B1	XI8-WR-92-400-3-50-DOL-B1	6073918	-	-
Xiro SPI10.210-06-A1/XC10-110-A1	XC10-WR-110-400-3-50-DOL-A1	6073919	-	-
Xiro SPI10.210-07-A1/XC10-129-A1	XC10-WR-129-400-3-50-DOL-A1	6073920	-	-
Xiro SPI10.210-08-A1/XC10-147-A1	XC10-WR-147-400-3-50-DOL-A1	6073921	-	-
Xiro SPI10.210-09-A1/XC10-166-A1	XC10-WR-166-400-3-50-DOL-A1	6073922	-	-
Xiro SPI10.210-10-A1/XC10-185-A1	XC10-WR-185-400-3-50-DOL-A1	6073923	-	-

Dimension drawing (variable)

Wilo-Xiro SPI



Dimensions, weights

Type	Dimensions						Net weight, approx. m kg	Installation approx.
	H1	H2 mm	H	C1	Ø mm	M		
Xiro SPI10.210-04-A1/XI8-75-B1	1323	1290	2613	-	247	192	271	V+H 1)
Xiro SPI10.210-4B-A1/XI8-67-B1	1323	1265	2588	-	247	192	262	V+H 1)
Xiro SPI10.210-05-A1/XI8-92-B1	1499	1435	2934	-	247	192	299	V+H 1)
Xiro SPI10.210-06-A1/XC10-110-A1	1675	1329	3084	-	247	231	409	V+H 1)
Xiro SPI10.210-07-A1/XC10-129-A1	1851	1409	3360	-	247	231	447	V+H 1)
Xiro SPI10.210-08-A1/XC10-147-A1	2028	1509	3667	-	247	231	489	V+H 1)
Xiro SPI10.210-09-A1/XC10-166-A1	2204	1639	3923	-	247	231	530	V+H 1)
Xiro SPI10.210-10-A1/XC10-185-A1	2380	1719	4099	-	247	231	546	V+H 1)

Pump with non-return valve, ³⁾ On request, ³⁾ Max. Ø for power cable configuration in accordance with I_n



08/2020

WILO SE
Wilopark 1
44263 Dortmund
Germany
T +49 231 41 02-0
F +49 231 41 02-7363
wilo@wilo.com
www.wilo.com