

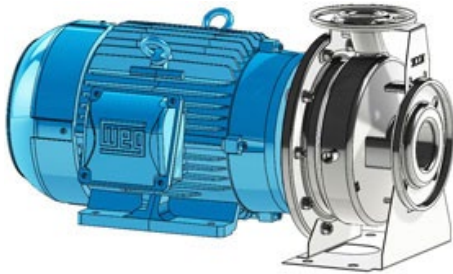


A WILO BRAND

# MOTORPUMP™ — 3500 RPM

304SS, 60 Hz, 2.5 X 1.5 X 7.88 FLG

# 325 JM



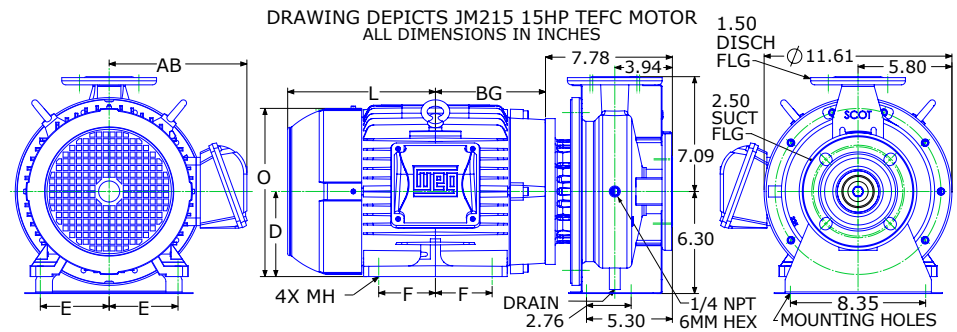
\*Pump to be installed only in the horizontal position as shown.



Drinking Water System Component  
NSF/ANSI 61  
ALSO CLFD IN ACCORDANCE WITH  
NSF/ANSI 372

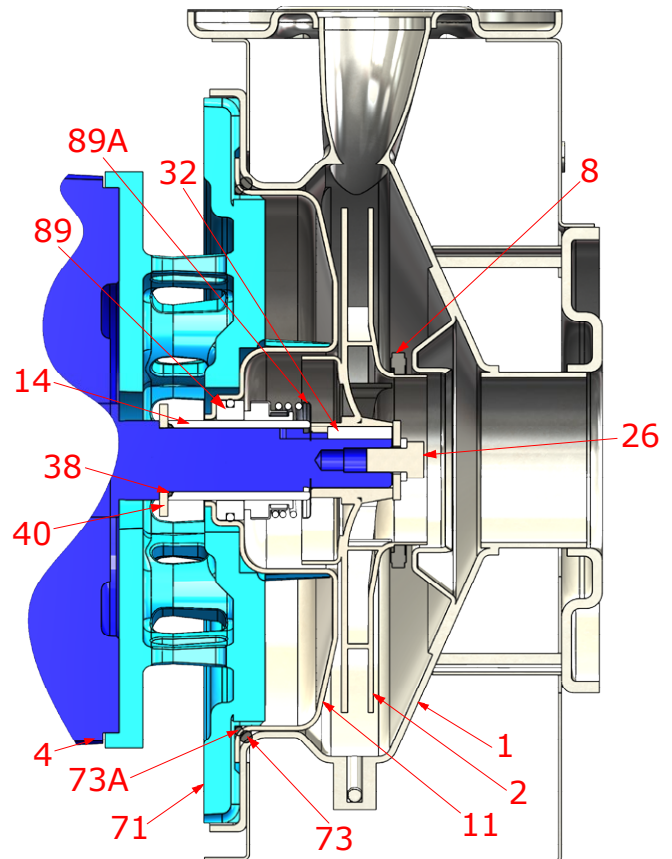
Motor Dimensions										
HP	NEMA Type	Premium Efficient Frame	D	E	F	O	AB	BG	L	MH
10	ODP	JM213	5.25	4.25	2.75	10.03	7.92	7.00	6.94	0.43
15	ODP	JM215	5.25	4.25	3.50	10.03	7.92	7.75	6.19	0.43
20	ODP	TCZ254*	6.25	5.00	4.13	12.00	9.49	8.88	8.81	0.53
10, 15	TEFC	JM215	5.25	4.25	3.50	10.37	8.19	6.77	9.16	0.41
20	TEFC	TCZ254*	6.25	5.00	4.13	12.88	10.04	8.88	10.91	0.53

\*215JM Shaft

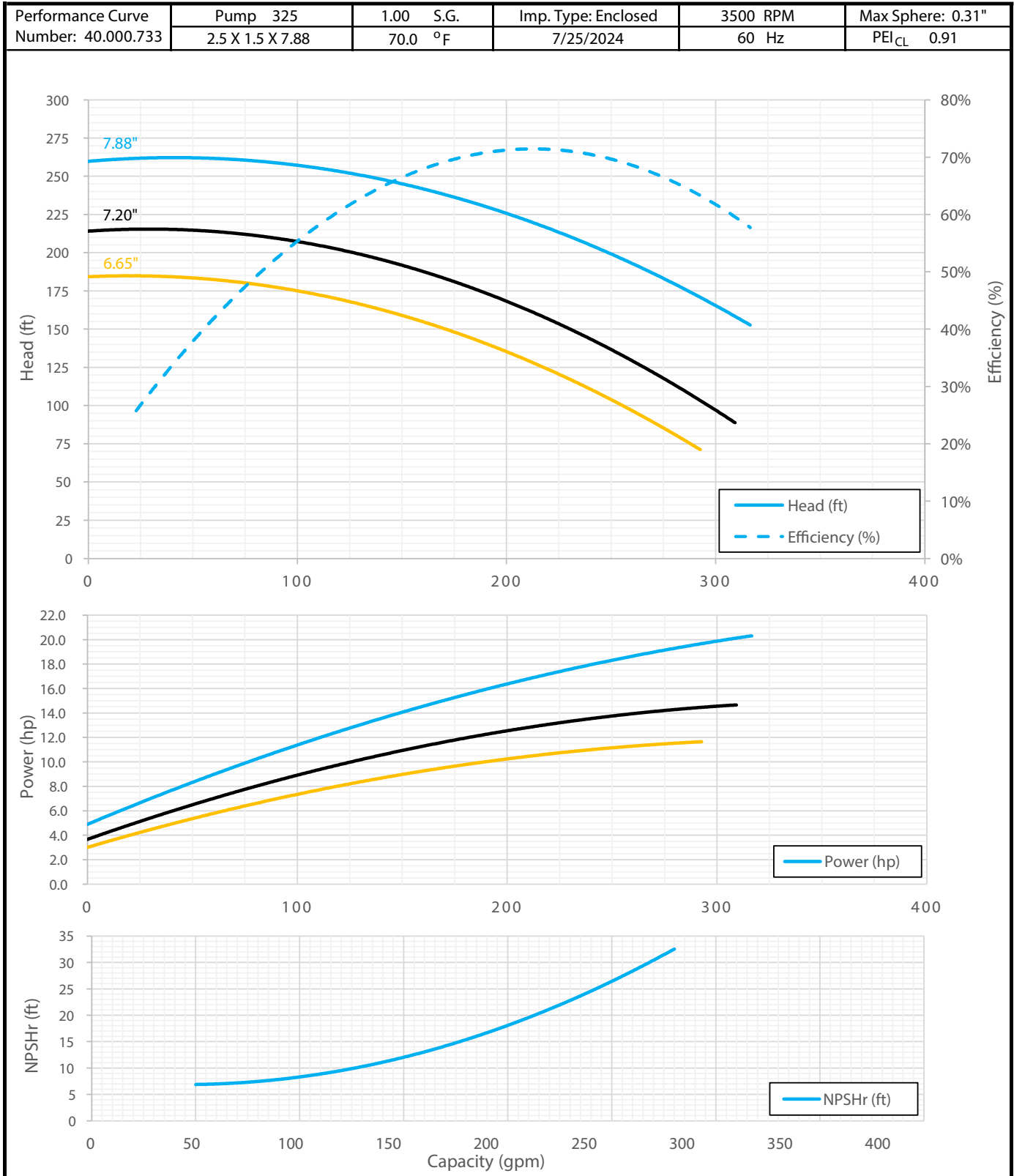


## Construction Options

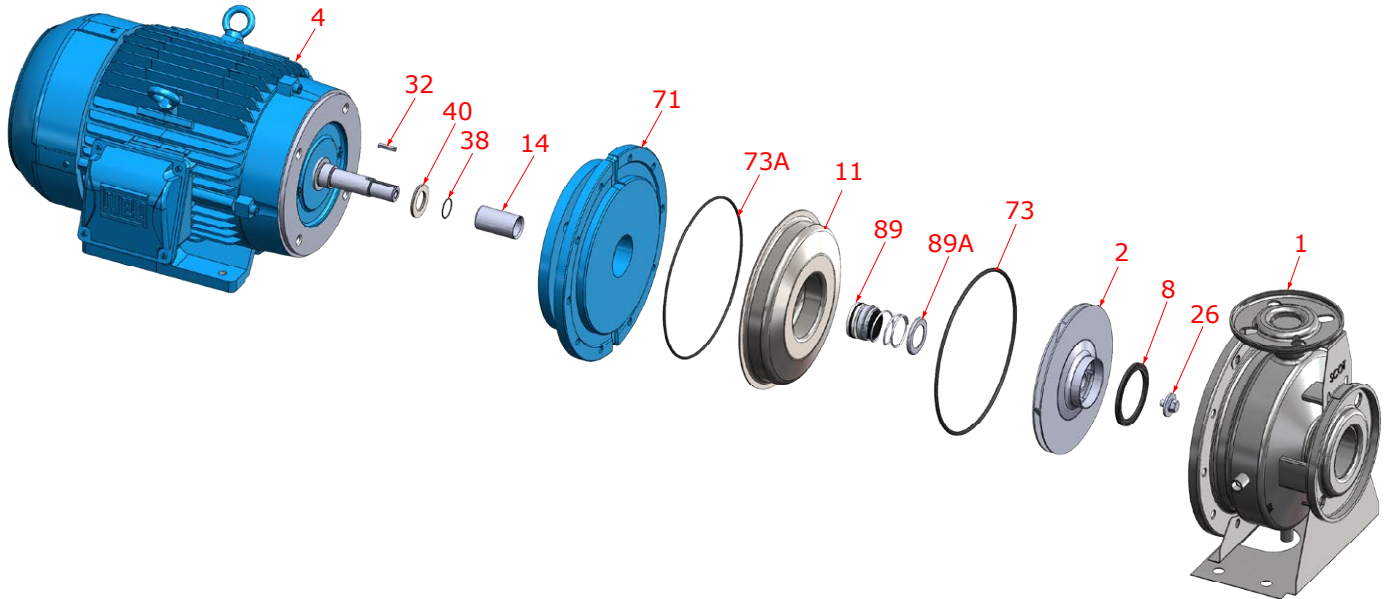
Key	Part Name	Standard
1	Case	304SS
2	Impeller	304SS
8	Impeller Ring	PPO-20
11	Cover	304SS
14	Sleeve	304SS
26	Impeller Retaining Assembly	304SS
32	Key	303SS
38	Gasket Shaft	Buna
40	Flinger	304SS
71	Motor Disc	Iron
73	Gasket, Case	Buna
73A	Gasket, Cover	Buna
89	Seal Assembly BN-CARB/CM	Standard
89A	Seal Spring Retainer	304SS



**Performance Curve**



## Parts



Key No.	Part Name	Part Number
1	Case 325, Stainless 2.50 X 1.50 FLG	137.002.977.1
2	Impeller 325, Stainless, 6.65 Dia., 7/8" Key	137.002.970
	Impeller 325, Stainless, 7.20 Dia., 7/8" Key	137.002.937
	Impeller 325, Stainless, 7.88 Dia., 7/8" Key	137.002.938
4	Motor chart, JM210 3500 rpm	See Chart
	Motor chart, TC2250 3500 rpm w/custom 215JM shaft	See Chart
8	Ring Impeller PPO with 20% Glass	137.002.929
11	Cover, Stainless	137.002.919
14*	Sleeve, Stainless	137.002.904
26*	Impeller retaining assembly, Stainless	118.000.111A
32*	Key, Stainless	102.000.102
38*	O-ring, Shaft, Buna	116.000.117
40*	Flinger, Stainless	104.000.165
71	Adapter, Iron, JM210 1-1/4" Seal	137.002.926
73*	O-Ring, Shaft, Buna	137.002.922
73A*	O-ring, Cover, Buna	137.003.013
89*	Seal, 1-1/4" Type 21, BN-CARB/CM	137.002.949
	Seal, 1-1/4" Type 21, EPDM-CARB/SIL	137.002.951
	Seal, 1-1/4" Type 21, VN-CARB/CM	137.002.950
	Seal, 1-1/4" Type 21, VN-CARB/SIL	137.002.952
	Seal, 1-1/4" Type 21, VN-SIL/SIL	137.002.953
89A*	Seal spring retainer, Stainless	137.002.948
KIT	Repair Kit, 1-1/4" BN-CARB/CM Seal, BN O-ring	118.000.675
	Repair Kit, 1-1/4" EPDM-CARB/SIL Seal, BN O-ring	118.000.675C
	Repair Kit, 1-1/4" VN-CARB/CM Seal, BN O-ring	118.000.675A
	Repair Kit, 1-1/4" VN-CARB/SIL Seal, BN O-ring	118.000.675D
	Repair Kit, 1-1/4" VN-SIL/SIL Seal, BN O-ring	118.000.675B

\* Denotes components included in repair kit

**Motor Charts**

