

50 HERTZ, 1.25 X 1 X 3.44 NPT

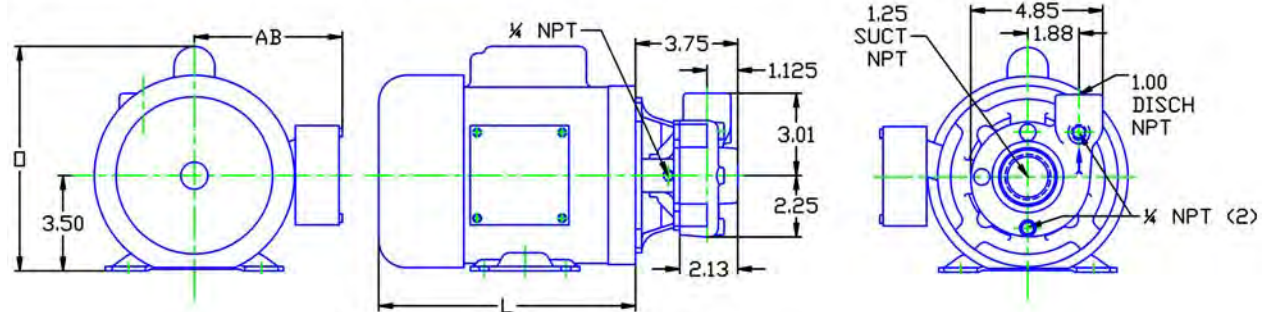
D068BJ56

DRAWING DEPICTS 56J TEFC 1PHASE MOTOR

MOTOR DIMENSIONS

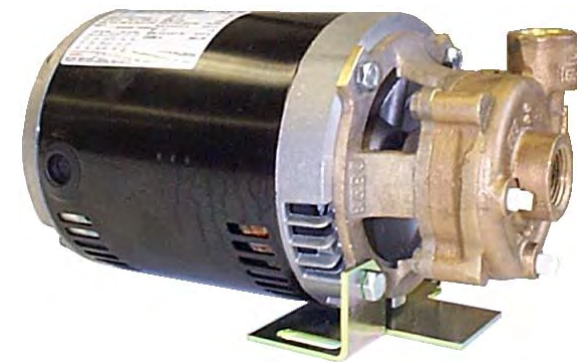
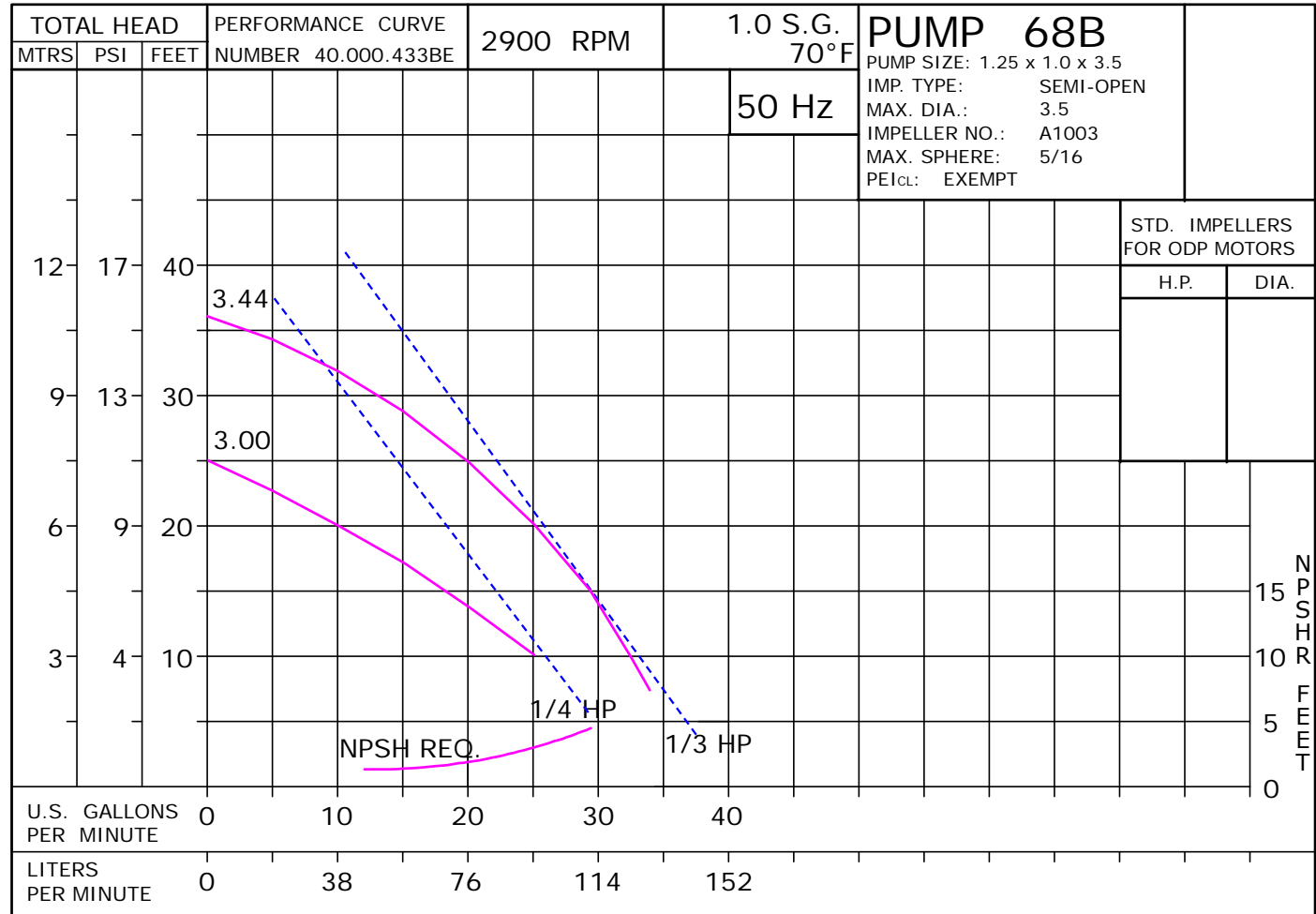
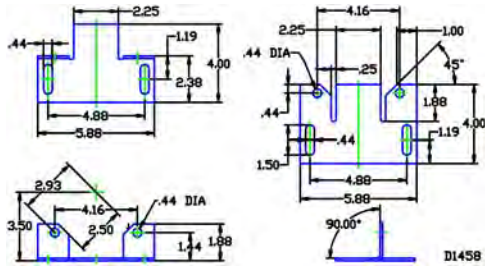
NEMA J56 FRAME 2900 RPM

HP	ODP			TEFC		
	3 PHASE			3 PHASE		
	L	O	AB	L	O	AB
.33	8.26	6.46	3.32	9.48	7.33	5.87



ALL DIMENSIONS IN INCHES.

DRAWING REPRESENTS APPROXIMATE PUMP DIMENSIONS. AUTOCAD DRAWING TO SCALE AVAILABLE FROM FACTORY.



D1458 D068BJ56
069B07DP 0682900

68B

J56

068B2900J56
81.001.774 M19

50 Hertz Pump & Motor Data

A 3-phase 50 Hertz Motorpump™ can be obtained in several ways. The most common options are listed below:

1. Most 60 Hz pumps available from Scot Pump can be operated on a 3-phase 50 Hz 190/380V power. However, when operated on 50 Hz power, the speed is reduced by approximately 20%, and a significant reduction in performance is realized. The charts below indicate these reductions in performance.
2. Pumps will produce the performance indicated in the performance curves when operated on 50 Hz power. The motors for these selections can be obtained through *derated 60 Hz motors* and *wound 50 Hz motors*.

Contact factory for 1 Phase applications.

Derated 60 Hz Motors

The most common practice and readily available method of obtaining a 50 Hz motor is by using the next larger 60 Hz motor and derating it to the desired horsepower on 50 Hz. Many High Efficient motors can be operated on 50 HZ power without a reduction in horsepower. The motor manufacturers 60 HZ nameplate will remain intact. An "Alternate Motor Rating" nameplate indicating the reduced horsepower, RPM, volts, amps, and service factor will be affixed to the pump. In utilizing this practice, service factors may be derated to 1.0. The standard voltage is 190/380V and has a ±10% voltage variation. In addition, 200/400V and 208/416V may be available. Please contact the factory for approval of the rating for your specific application.

Wound 50 Hz Motors

Specially wound 50 Hz 220/380V six-lead Delta Wye motors are available. Most ratings offer a ±15% voltage variation. These motors are not normally a stock item and require an extended lead time.

The impeller and horsepower combination sized (taking the reduction in speed into consideration) may not be suitable for operation on 60 Hz power. The increase in speed, performance and load may overload the system and the electric motors. **Pumps sized for 50 Hz operation SHOULD NOT be tested on 60 Hz.**

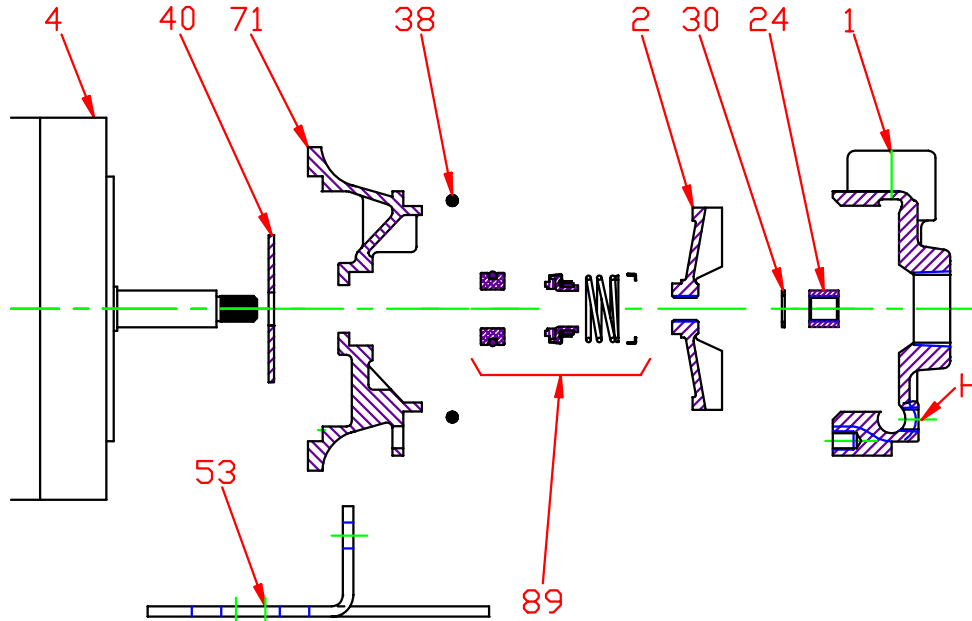
60 Hz Pump on 50 Hz Power		
No Impeller Change		
50 Hz	60 Hz	Factor
GPM =	GPM x	0.829
Head =	Head x	0.687
BHP =	HP x	0.569

To Size 60 Hz Pump Using 50 Hz Data,		
Obtain 60 Hz Data As Follows:		
60 Hz	50 Hz	Factor
GPM =	GPM x	1.2
Head =	Head x	1.45
BHP =	HP =	$\frac{\text{GPM} \times \text{Head} \times \text{SG of}}{3960 \times \text{Eff}}$

Change of Speed (RPM)		
	How Varies:	Examples
GPM	Directly	Double RPM = (2)(RPM) = (2)(GPM) Triple RPM = (3)(RPM) = (3)(GPM)
Head	Square	Double RPM = (2)(RPM) = (2) ² = (2)(2) = (4)(Head) Triple RPM = (3)(RPM) = (3) ² = (3)(3) = (9)(Head)
BHP	Cube	Double RPM = (2)(RPM) = (2) ³ = (2)(2) (2) = (8)(BHP) Triple RPM = (3)(RPM) = (3) ³ = (3)(3)(3) = (27)(BHP)

Change of Impeller Diameter (Dia.)		
	How Varies:	Examples
GPM	Directly	Double Dia. = (2)(Dia.) = (2)(GPM) Triple Dia. = (3)(Dia.) = (3)(RPM)
Head	Square	Double Dia. = (2)(Dia.) = (2) ² = (2)(2) = (4)(Head) Triple Dia. = (3)(Dia.) = (3) ² = (3)(3) = (9)(Head)
BHP	Cube	Double Dia. = (2)(Dia.) = (2) ³ = (2)(2) (2) = (8)(BHP) Triple Dia. = (3)(Dia.) = (3) ³ = (3)(3)(3) = (27)(BHP)

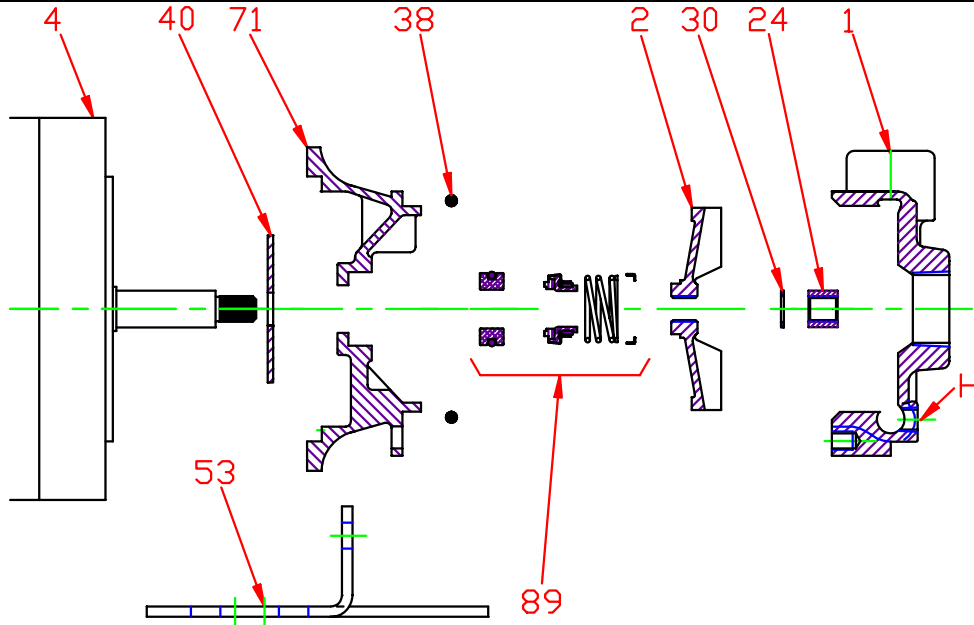
Pump 68B • Bronze • J56 Frame • 2900 RPM



KEY NO.	PART NAME	PUMP 68B	
1	CASE, BRONZE, 1.25 x 1 NPT	130.000.291AX	
2	IMPELLER, 7/16" THREADED, SEMI-OPEN, SPECIFY DIAMETER: BRONZE	137.000.138	
4	MOTOR: J56, ROUND BODY J56, 3.5" RIGID BASE	See 60Hz Chart See 60Hz Chart	
24*+	NUT, STAINLESS	137.001.349	
30*+	D WASHER, STAINLESS	104.000.168	
40*	FLINGER, NEOPRENE	104.000.171	
53	BASE, STEEL	119.000.287A	
71	ADAPTER, BRONZE	132.000.297X	
73*	GASKET, CASE, BUNA	116.000.153	
89*	5/8" SEALS:		
	NO RETAINER: (not shown) TYPE 6, BN-CARB/CM	101.000.110	
	WITH RETAINER:		
	TYPE 21, VN-CARB/CM	101.000.103	
	TYPE 21, VN-CARB/SIL	101.000.120	
	TYPE 21, VN-SIL/SIL	101.000.239	
	TYPE 21, EPDM-CARB/CM	101.000.327	
TYPE 21, EPDM-CARB/SIL	101.000.173		
TYPE 21, EPDM-SIL/SIL	101.000.236		
--	REPAIR KITS:	3 PHASE:	1 PHASE:
	BN-CARB/CM SEAL	118.000.389	118.000.389.1
	VN-CARB/CM SEAL	118.000.389A	118.000.389A.1
	VN-CARB/SIL SEAL	118.000.389B	118.000.389B.1
	VN-SIL/SIL SEAL	118.000.389E	118.000.389E.1
	EPDM-CARB/CM SEAL	118.000.389F	118.000.389F.1
	EPDM-CARB/SIL SEAL	118.000.389C	118.000.389C.1
EPDM-SIL/SIL SEAL	118.000.389D	118.000.389D.1	

* DENOTES COMPONENTS INCLUDED IN REPAIR KIT.
+ NOT REQUIRED ON 1/3 TO 1-1/2 HP 1 PHASE MOTORS.

Pump 68B • Bronze • J56 Frame • 2900 RPM



CONSTRUCTION OPTIONS		
KEY	PART NAME	ALL BRONZE
1	Case	Bronze
2	Impeller	Bronze
24	Impeller Locknut	Stainless
30	D-Washer	Stainless
40	Flinger	Neoprene
53	Base	Steel
71	Adapter	Bronze
73	Gasket, Case	Buna
89	Mechanical Seal, Type 6, BN-CM	Standard
H	Plug, Drain	Brass

E069J56

E11

C068B2900J56