

Style TDV

Triple Duty Valve
 Cast Iron (ASTM A 126, Class B)
 125 lb. Flanged



Triple Duty Valve

APPLICATIONS

The TDV is a Triple Duty Valve primarily required on the discharge side of a centrifugal pump in a hydronic heating or cooling system. This valve functions as a shut-off valve, spring loaded silent check valve, and balancing valve.

CONSTRUCTION

The TDV Triple Duty Valves are constructed from rugged cast iron castings that are machined to exacting specifications. These bodies have drilled flanges that are in accordance with ASME B16.1.

OPERATION

The TDV has an automatic and silent operation. The disc will open when the line pressure is approximately ¼ PSI. As the line pressure approaches zero, the spring will close the disc to prevent flow reversal and water hammer. The flow through the valve can be adjusted from bubble tight shut-off to full flow by the acme rising stem.

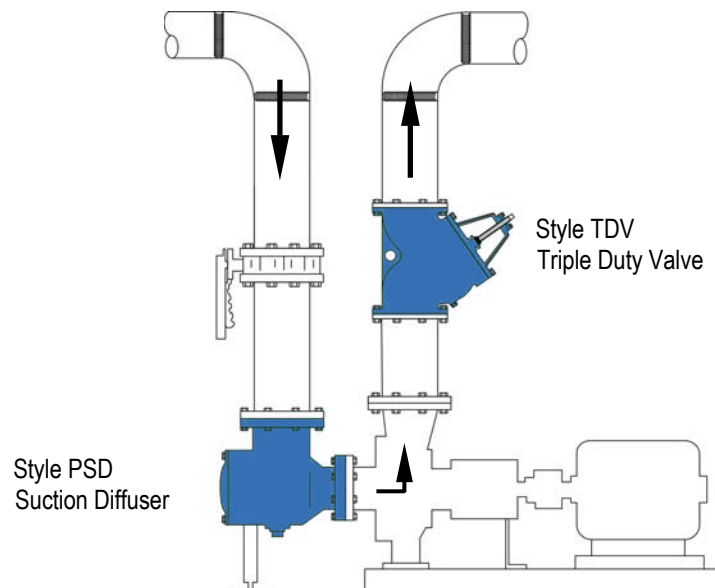
FEATURES

The center guided soft seal disc ensures that there is no leakage. The rising stem design includes an adjustable position indicator for accurate disc positioning for throttling service. This unit comes with a standard gauge taps at both the inlet and outlet sides and a NPT drain plug.

WORKING PRESSURES – NON SHOCK

NOM. RATING	MEDIA	2" to 12"	14"
125# (FLANGED)	W.O.G.	200 PSI @ 150°F	150 PSI @ 150°F

TYPICAL INSTALLATION



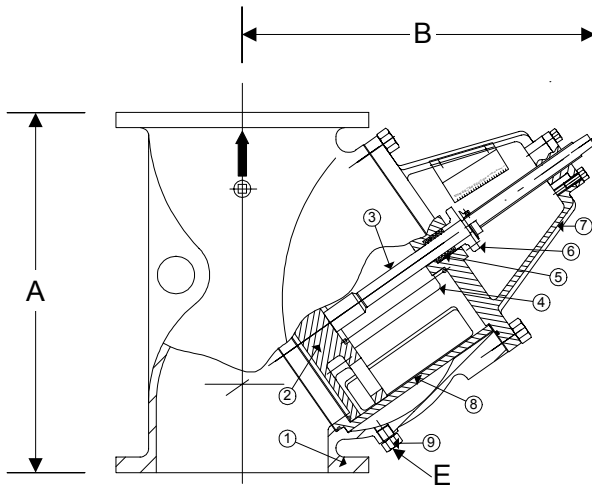
Style TDV

**Triple Duty Valve, 125 lb. Flanged
Cast Iron (ASTM A 126, Class B)**

Designed For Pump Protection

Features

- A Shut-off Valve
- A Spring Loaded Silent Check Valve
- A Balancing Valve



Furnished with
1/4" gauge taps

PARTS LIST

ITEM	PART NAME	QTY	MATERIAL
1	BODY	1	CAST IRON (ASTM A 126, CLASS B)
2	DISC	1	BRONZE
3	STEM	1	410 STAINLESS STEEL
4	SPRING	1	304 STAINLESS STEEL
5	PACKING	6	NON-ASBESTOS
6	GLAND	1	DUCTILE IRON
7	COVER	1	CAST IRON (ASTM A 126, CLASS B)
8	GUIDE	1	CARBON STEEL
9	PLUG	1	CARBON STEEL
	O-RINGS		BUNA-N

SIZE		DIMENSIONS						WEIGHTS	
		A		B		E			
in	mm	in	mm	in	mm	in	mm	lbs	kgs
2	50	8-3/8	213	9-5/8	244	1/2	15	28	13
2-1/2	65	9-7/8	251	10	254	1/2	15	33	15
3	80	10	254	10-1/8	257	1/2	15	57	26
4	100	14-1/2	368	12-5/8	321	1/2	15	98	44
5	125	16	406	16-3/8	416	1/2	15	157	71
6	150	18	457	17-1/2	445	3/4	20	196	89
8	200	21-1/2	546	18-1/2	470	3/4	20	348	158
10	250	25-1/2	648	21-3/4	552	1	25	475	215
12	300	30	762	24-1/2	622	1	25	656	298
14	350	30-3/8	772	24-1/2	622	3/4	20	787	357

Certified dimensional drawings are available upon request.

†This table reflects only the nearest metric equivalents.