



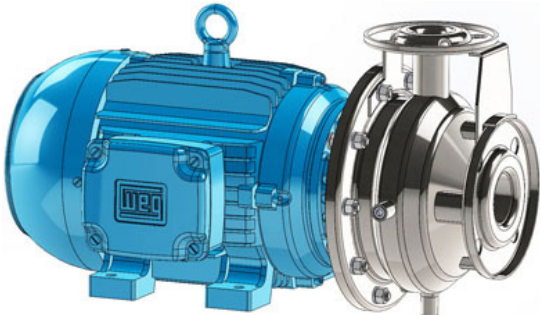
A WILO BRAND

# MOTORPUMP™ — 3500 RPM

304SS, 60 Hz, 2 X 1.25 X 6.54 FLG

# 321LF

## JM

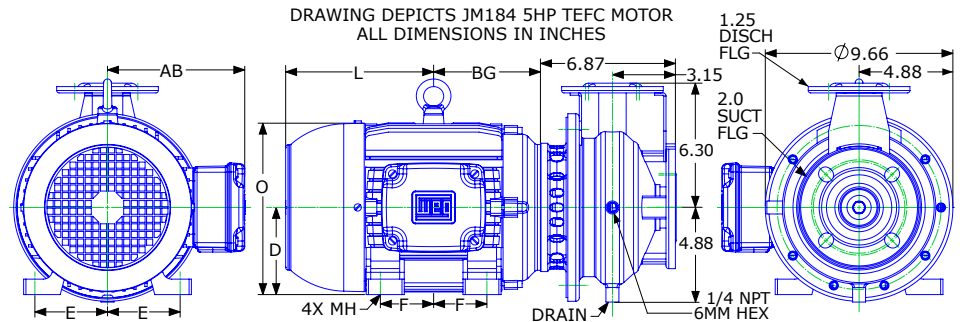


\*Pump to be installed only in the horizontal position as shown.



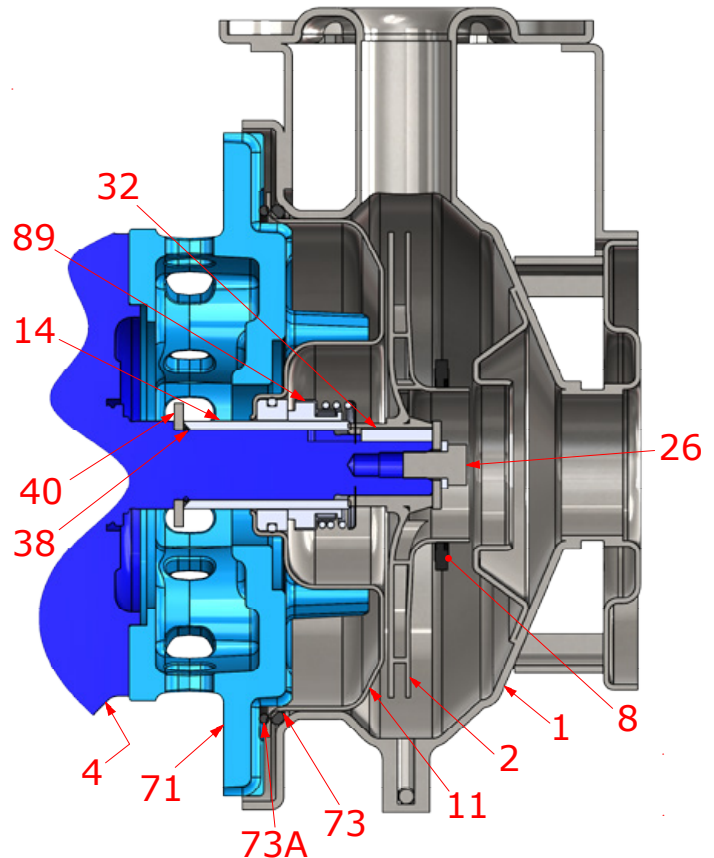
Drinking Water System Component  
NSF/ANSI 61  
ALSO CLFD IN ACCORDANCE WITH  
NSF/ANSI 372

Motor Dimensions										
NEMA	Premium Efficient	JM Frame	3 Phase	3500 RPM						
HP	Type	Frame	D	E	F	O	AB	BG	L	MH
3	ODP	JM145	3.50	2.75	2.50	6.77	5.61	5.38	4.12	0.34
5	ODP	JM182	4.50	3.75	2.25	8.44	6.74	5.75	5.12	0.41
7.5	ODP	JM184	4.50	3.75	2.25	8.44	6.74	5.75	6.56	0.41
3	TEFC	JM182	4.50	3.75	2.25	8.85	7.57	5.01	7.14	0.41
5, 7.5	TEFC	JM184	4.50	3.75	2.75	9.34	7.57	5.51	7.64	0.41



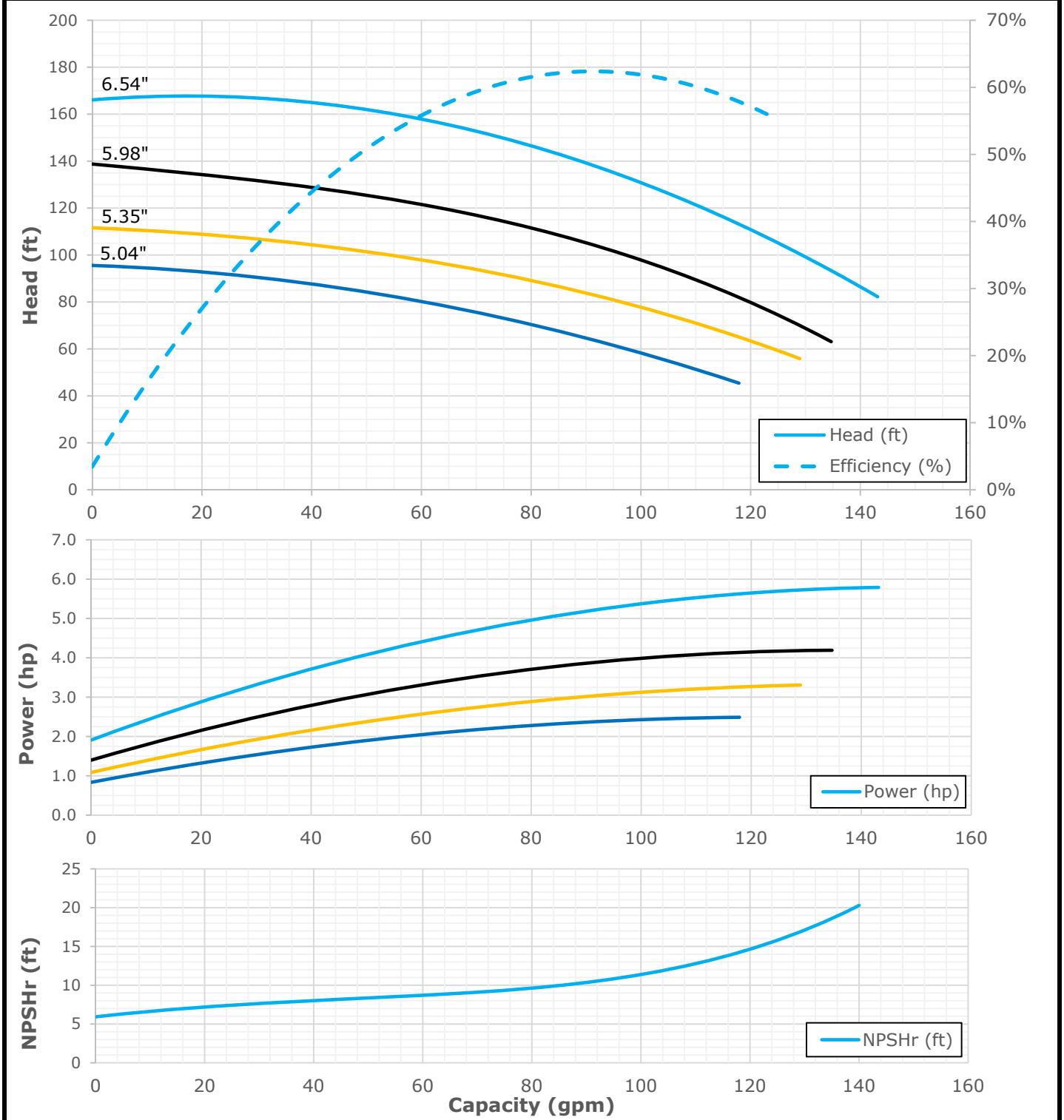
## Construction

Key	Part Name	Standard Fitted
1	Case	304SS
2	Impeller	304SS
8	Impeller Ring	PPO-20
11	Cover	304SS
14	Sleeve	304SS
26	Impeller Retaining Assembly	304SS
32	Key	303SS
38	Gasket Shaft	Buna
40	Flinger	304SS
71	Motor Disc	Iron
73	Gasket, Case	Buna
73A	Gasket, Cover	Buna
89	Seal Assembly BN-CARB/CM	Standard
89A	Seal Spring Retainer	304SS

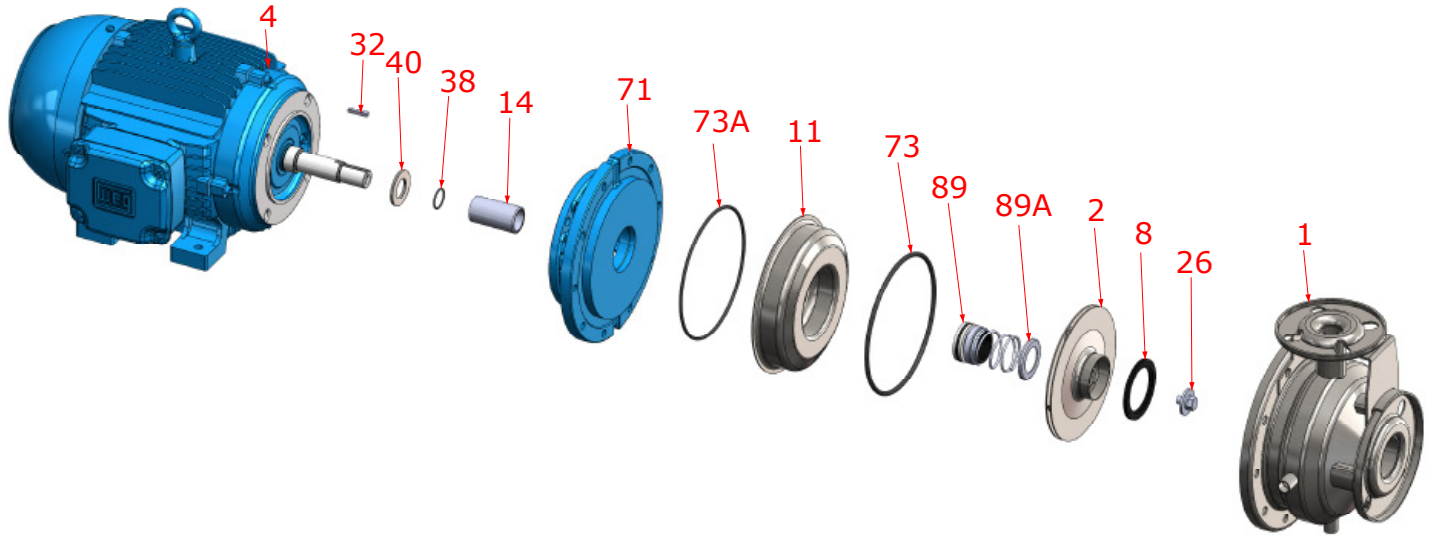


### Performance Curve

Performance Curve Number: 40.000.729	Pump <b>321</b> 2.0 X 1.25 X 6.5	1.00 S.G. 70.0 °F	Imp. Type: Enclosed 11/22/2019	3500 RPM 60 Hz	Max Sphere: 0.16" PEI <sub>CL</sub>	0.92
--------------------------------------	-------------------------------------	----------------------	-----------------------------------	-------------------	--	------



### Parts



Key No.	Part Name	Part Number
1	Case 321, Stainless, 2.00 X 1.25 FLG	137.002.956.2
2	Impeller 321, Stainless, 5.04 Dia., 7/8" Key	137.002.961
	Impeller 321, Stainless, 5.35 Dia., 7/8" Key	137.002.962
	Impeller 321, Stainless, 5.98 Dia., 7/8" Key	137.002.909
	Impeller 321, Stainless, 6.54 Dia., 7/8" Key	137.002.915
4	Motor chart, JM140/180 3500 rpm	See Chart
8	Ring Impeller PPO-20	137.002.906
11	Cover, Stainless	137.002.911
14*	Sleeve, Stainless	137.002.912
26*	Impeller retaining assembly, Stainless	118.000.111A
32*	Key, Stainless	102.000.102
38*	O-ring, Shaft, Buna	116.000.117
40*	Flinger, Stainless	104.000.165
71	Adapter, Iron, JM140/180 1-1/4" Seal	137.002.910
73*	O-ring, Shaft, Buna	137.002.913
73A*	O-ring, Cover, Buna	137.003.012
89*	Seal, 1-1/4" Type 21, BN-CARB/CM	137.002.949
	Seal, 1-1/4" Type 21, EPDM-CARB/SIL	137.002.951
	Seal, 1-1/4" Type 21, VN-CARB/CM	137.002.950
	Seal, 1-1/4" Type 21, VN-CARB/SIL	137.002.952
	Seal, 1-1/4" Type 21, VN-SIL/SIL	137.002.953
89A*	Seal spring retainer, Stainless	137.002.948
KIT	Repair Kit, 1-1/4" BN-CARB/CM Seal, BN O-ring	118.000.674
	Repair Kit, 1-1/4" EPDM-CARB/SIL Seal, BN O-ring	118.000.674C
	Repair Kit, 1-1/4" VN-CARB/CM Seal, BN O-ring	118.000.674A
	Repair Kit, 1-1/4" VN-CARB/SIL Seal, BN O-ring	118.000.674D
	Repair Kit, 1-1/4" VN-SIL/SIL Seal, BN O-ring	118.000.674B

\* Denotes components included in repair kit

**Motor Charts**

