



A WILO BRAND

MOTORPUMP™ — 3500 RPM

304SS, 60 Hz, 2.5 X 2 X 5.35 FLG

326LF

JM

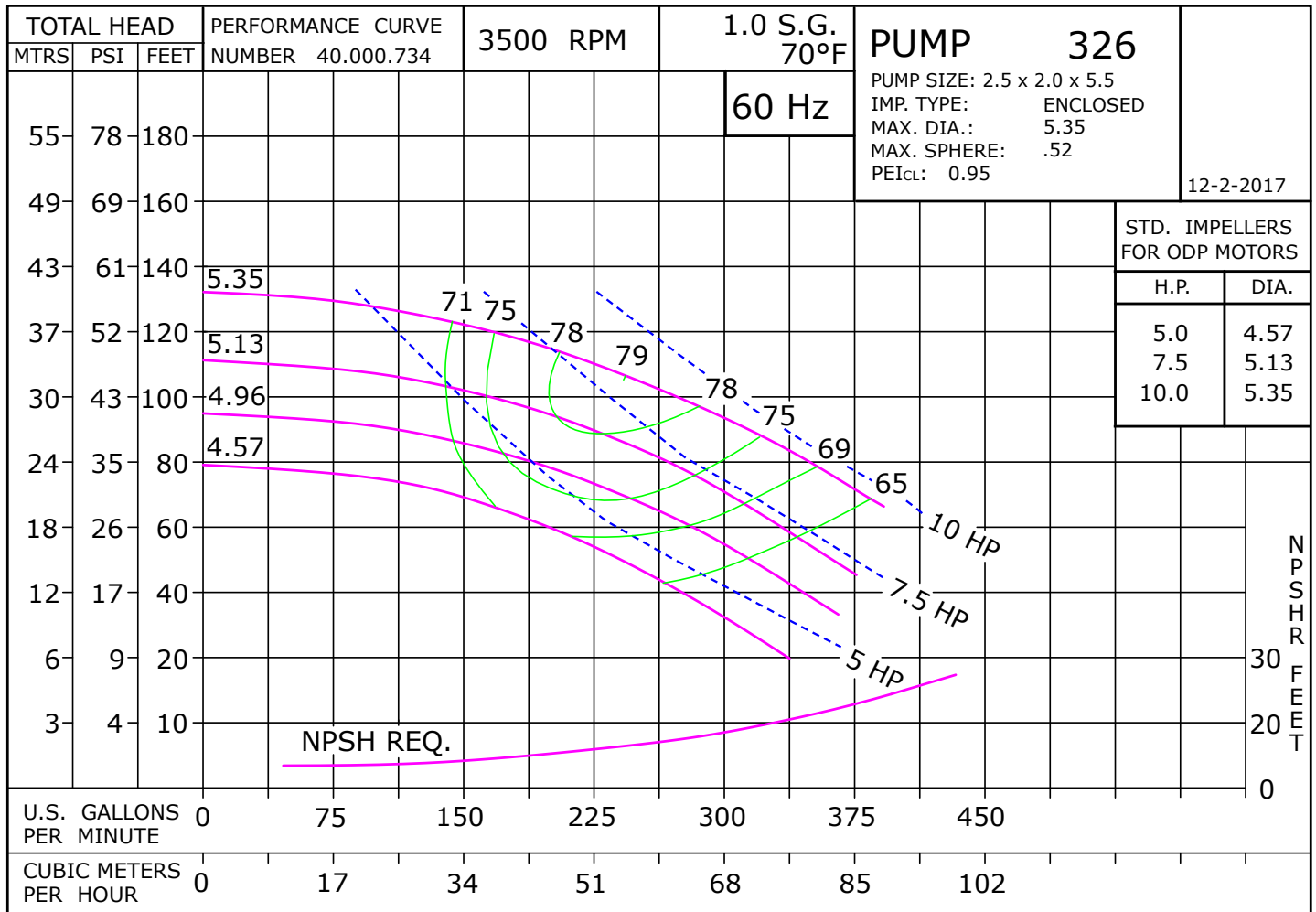
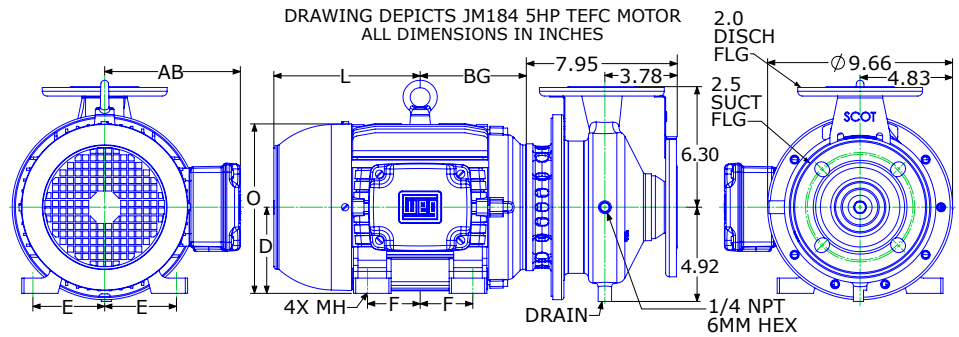


*Pump to be installed only in the horizontal position as shown.

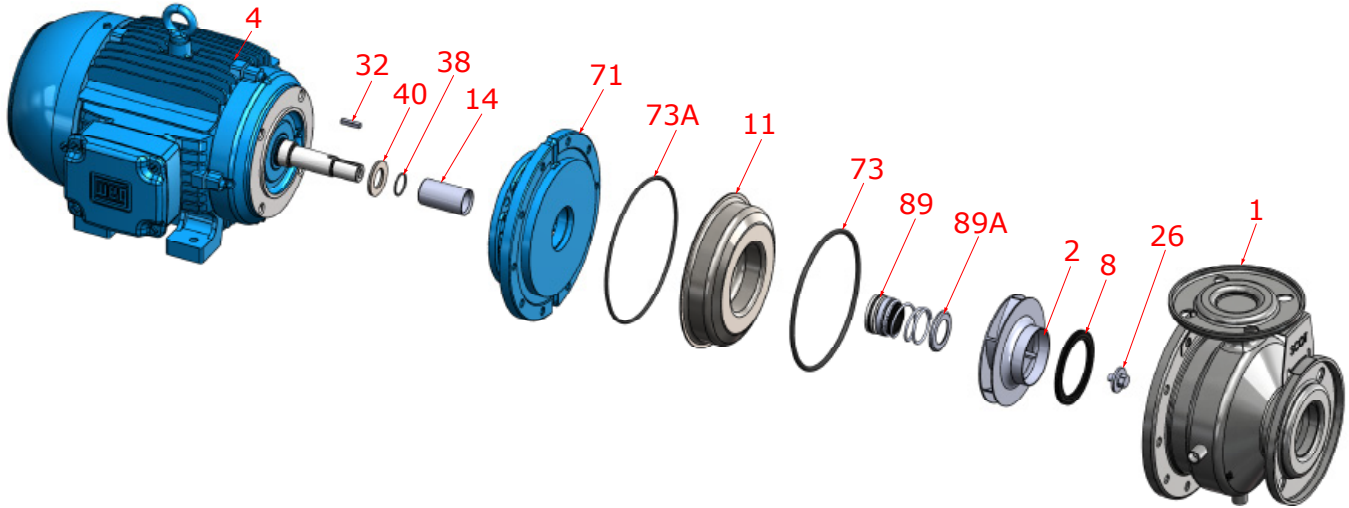


Drinking Water System Component
NSF/ANSI 61
ALSO CLFD IN ACCORDANCE WITH NSF/ANSI 372

| Motor Dimensions | | | | | | | | | | |
|------------------|-----------|-------------------------|------|------|------|-----------|------|------------|-----------|------------|
| HP | NEMA Type | Premium Efficient Frame | D | E | F | 3 Phase O | AB | 3 Phase BG | 3 Phase L | 3 Phase MH |
| 5 | ODP | JM182 | 4.50 | 3.75 | 2.25 | 8.44 | 6.74 | 5.75 | 5.12 | 0.41 |
| 7.5 | ODP | JM184 | 4.50 | 3.75 | 2.25 | 8.44 | 6.74 | 5.75 | 6.56 | 0.41 |
| 10 | ODP | JM213 | 5.25 | 4.25 | 2.75 | 10.03 | 7.92 | 7.00 | 6.94 | 0.43 |
| 5, 7.5 | TEFC | JM184 | 4.50 | 3.75 | 2.75 | 9.34 | 7.57 | 5.51 | 7.64 | 0.41 |
| 10 | TEFC | JM215 | 5.25 | 4.25 | 3.50 | 10.37 | 8.19 | 6.77 | 9.16 | 0.41 |



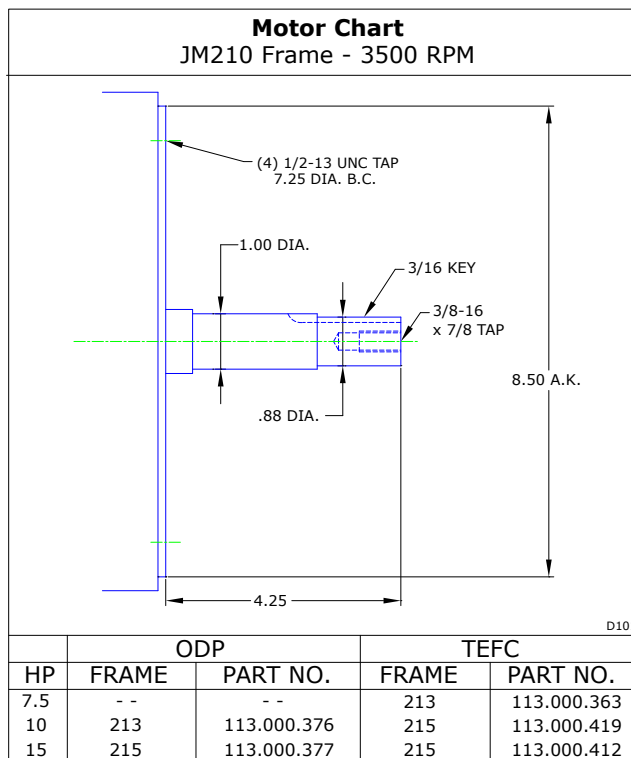
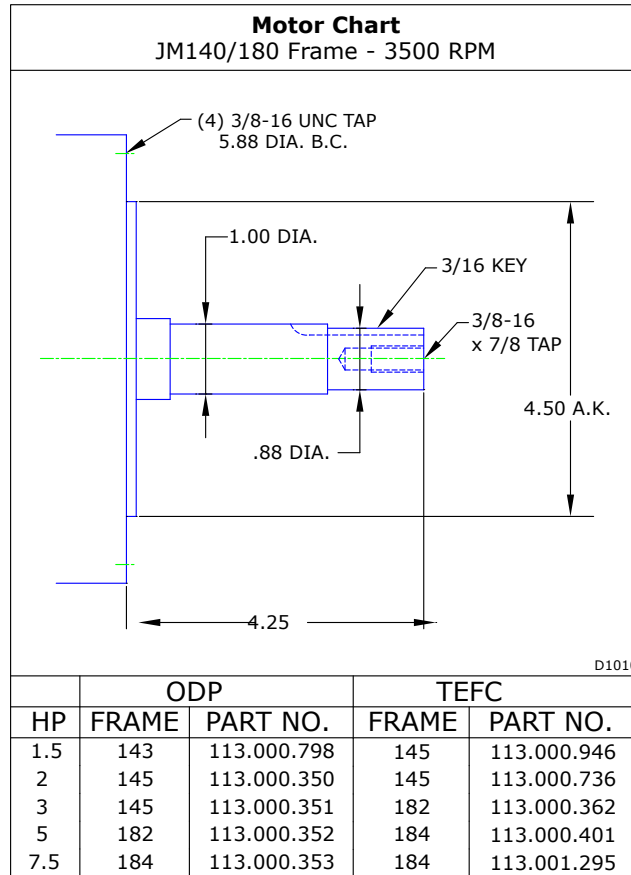
Parts



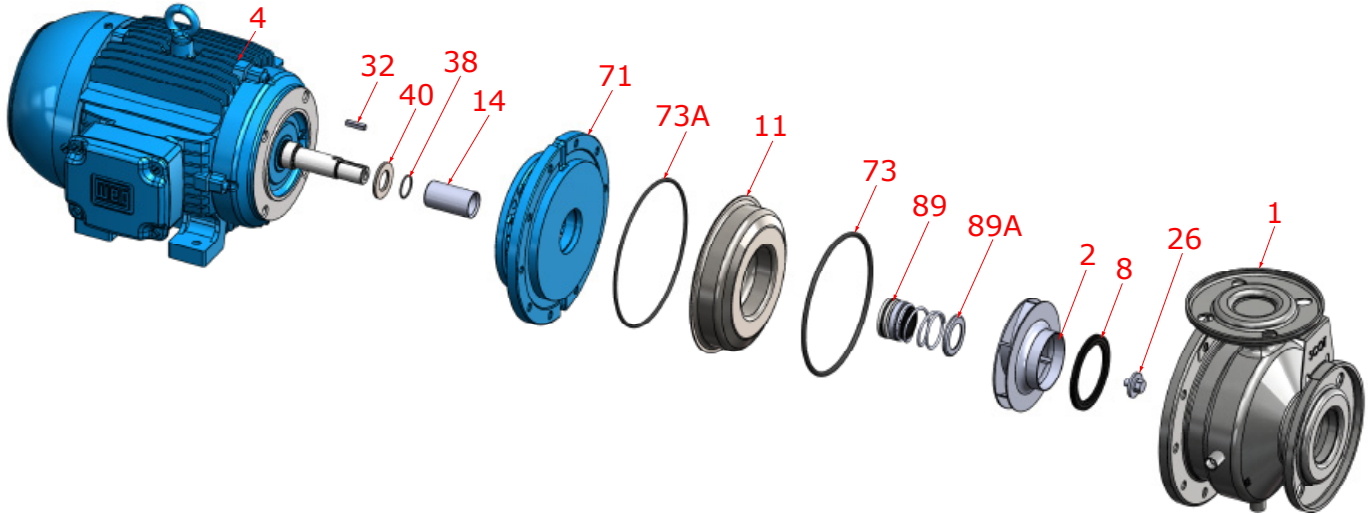
| Key No. | Part Name | Part Number |
|---------|--|---------------|
| 1 | Case 326, Stainless, 2.50 X 2.00 FLG | 137.002.978.2 |
| 2 | Impeller 326, Stainless, 4.57 Dia., 7/8" Key | 137.002.971 |
| | Impeller 326, Stainless, 4.96 Dia., 7/8" Key | 137.002.972 |
| | Impeller 326, Stainless, 5.12 Dia., 7/8" Key | 137.002.940 |
| | Impeller 326/327, Stainless, 5.35 Dia., 7/8" Key | 137.002.974 |
| 4 | Motor chart, JM140/180 3500 rpm | See Chart |
| | Motor chart, JM210 3500 rpm | See Chart |
| 8 | | 137.002.931 |
| 11 | Cover, Stainless | 137.002.911 |
| 14* | Sleeve, Stainless | 137.002.912 |
| 26* | Impeller retaining assembly, Stainless | 118.000.111A |
| 32* | Key, Stainless | 102.000.102 |
| 38* | O-ring, Shaft, Buna | 116.000.117 |
| 40* | Flinger, Stainless | 104.000.165 |
| 71 | Adapter, Iron, JM140/180 1-1/4" Seal | 137.002.910 |
| | Adapter, Iron, JM210 1-1/4" Seal | 137.002.935 |
| 73* | O-ring, Shaft, Buna | 137.002.913 |
| 73A* | O-ring, Cover, Buna | 137.003.012 |
| 89* | Seal, 1-1/4" Type 21, BN-CARB/CM | 137.002.949 |
| | Seal, 1-1/4" Type 21, EPDM-CARB/SIL | 137.002.951 |
| | Seal, 1-1/4" Type 21, VN-CARB/CM | 137.002.950 |
| | Seal, 1-1/4" Type 21, VN-CARB/SIL | 137.002.952 |
| | Seal, 1-1/4" Type 21, VN-SIL/SIL | 137.002.953 |
| 89A* | Seal spring retainer, Stainless | 137.002.948 |
| KIT | Repair Kit, 1-1/4" BN-CARB/CM Seal, BN O-ring | 118.000.674 |
| | Repair Kit, 1-1/4" EPDM-CARB/SIL Seal, BN O-ring | 118.000.674C |
| | Repair Kit, 1-1/4" VN-CARB/CM Seal, BN O-ring | 118.000.674A |
| | Repair Kit, 1-1/4" VN-CARB/SIL Seal, BN O-ring | 118.000.674D |
| | Repair Kit, 1-1/4" VN-SIL/SIL Seal, BN O-ring | 118.000.674B |

* Denotes components included in repair kit

Motor Charts



Construction Options



| Construction Options | | |
|----------------------|-----------------------------|-----------------|
| Key No. | Part Name | Standard Fitted |
| 1 | Case | 304SS |
| 2 | Impeller | 304SS |
| 8 | Impeller Ring | PPO-20 |
| 11 | Cover | 304SS |
| 14 | Sleeve | 304SS |
| 26 | Impeller Retaining Assembly | 304SS |
| 32 | Key | 303SS |
| 38 | Gasket Shaft | Buna |
| 40 | Flinger | 304SS |
| 71 | Motor Disc | Iron |
| 73 | Gasket, Case | Buna |
| 73A | Gasket, Cover | Buna |
| 89 | Seal Assembly BN-CARB/CM | Standard |
| 89A | Seal Spring Retainer | 304SS |