



A WILO BRAND

MOTORPUMP™ — 3500 RPM

304SS, 60 Hz, 2 X 1.5 X 6.3 NPT

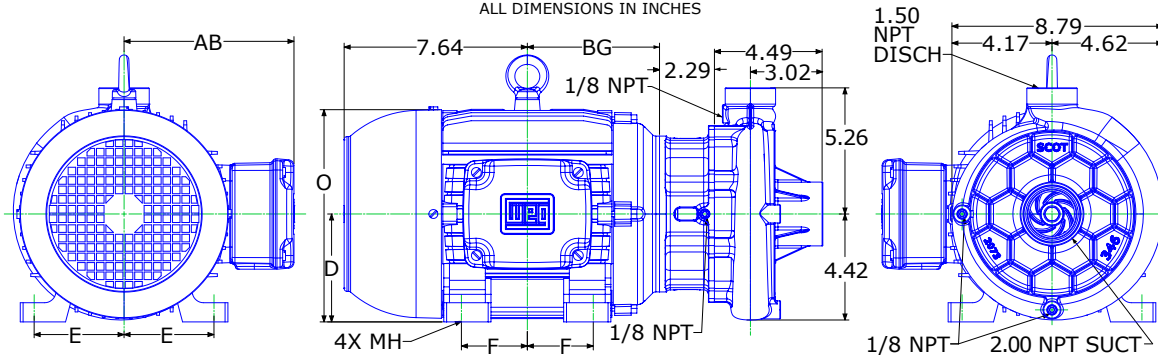
346 JM



Drinking Water System Component
NSF/ANSI 61
ALSO CLFD IN ACCORDANCE WITH
NSF/ANSI 372

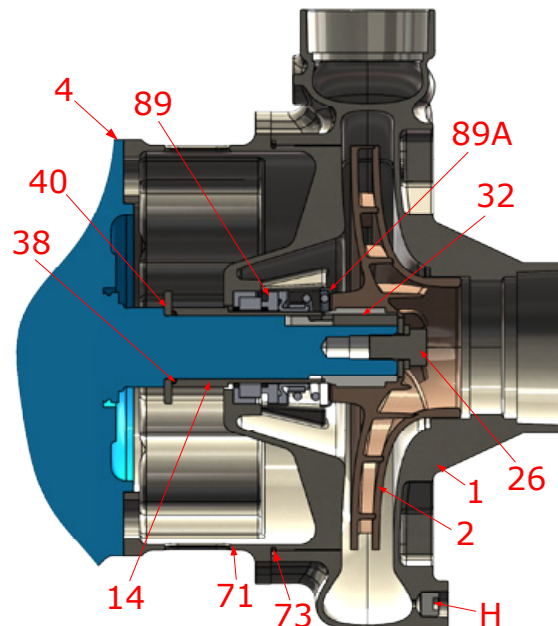
Motor Dimensions										
NEMA	Premium Efficient	JM Frame	3 Phase	3500 RPM						
HP	Type	Frame	D	E	F	O	AB	BG	L	MH
2, 3	ODP	JM145	3.50	2.75	2.50	6.77	5.61	5.38	4.12	0.34
5	ODP	JM182	4.50	3.75	2.25	8.44	6.74	5.75	5.12	0.41
7.5	ODP	JM184	4.50	3.75	2.25	8.44	6.74	5.75	6.56	0.41
2	TEFC	JM145	3.50	2.75	2.50	7.00	6.25	5.06	6.34	0.34
3	TEFC	JM182	4.50	3.75	2.25	8.85	7.57	5.01	7.14	0.41
5, 7.5	TEFC	JM184	4.50	3.75	2.75	9.34	7.57	5.51	7.64	0.41

DRAWING DEPICTS 3PHASE TEFC 14-18 JM MOTOR
ALL DIMENSIONS IN INCHES



Construction Options

Key	Part Name	Standard Fitted
1	Case	304SS
2	Impeller	PPS-GF
14	Sleeve	304SS
26	Retainer Assembly	304SS
32	Key	316SS
38	O-ring, Shaft	Buna
40	Flinger	304SS
71	Adapter	304SS
73	Gasket, Case	Buna
89	Seal Assembly, BN-CARB/CM	Standard
89A	Seal Spring Retainer	304SS
H	Plug, Drain	304SS





A WILO BRAND

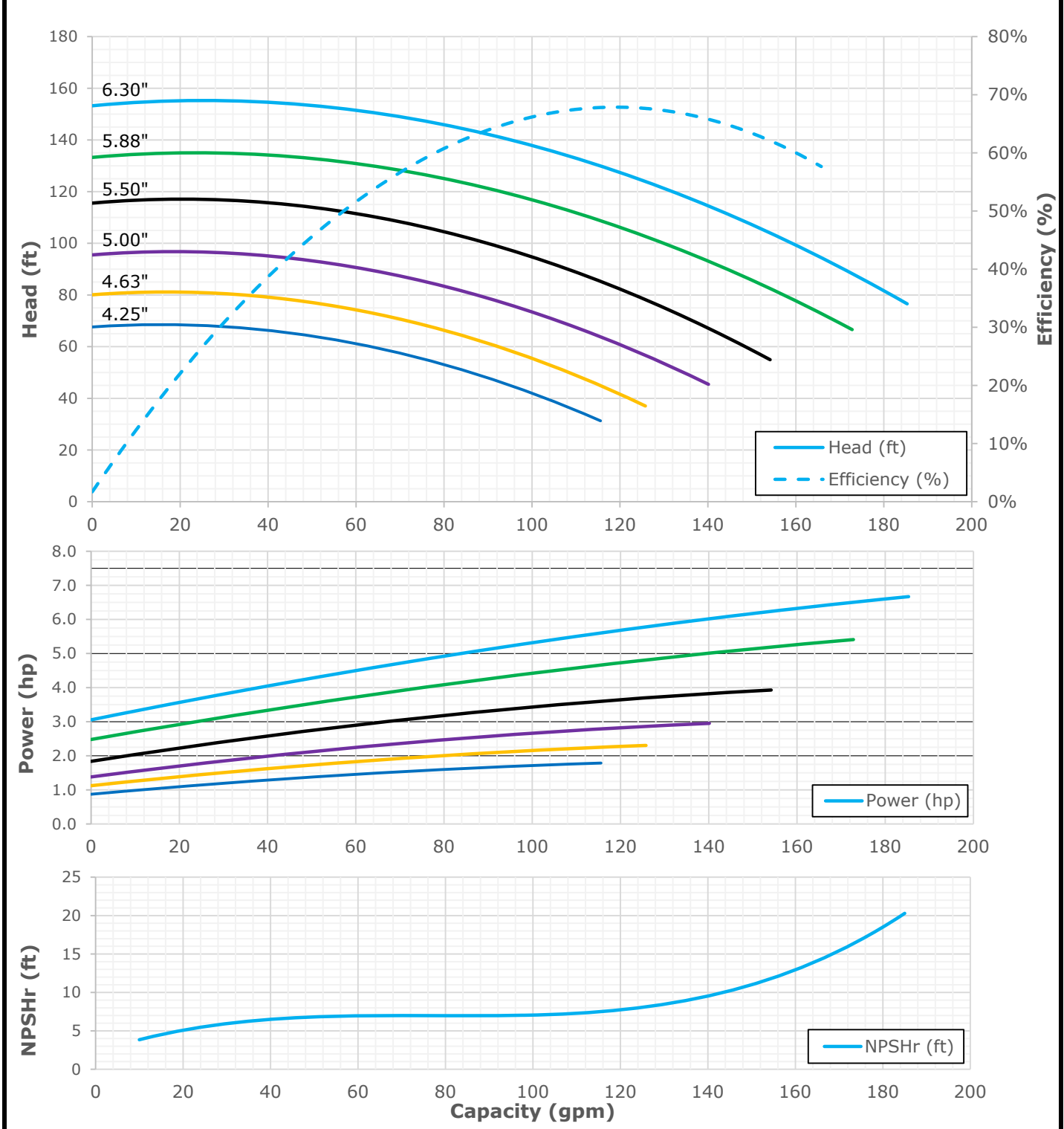
MOTORPUMP™ — 3500 RPM

304SS, 60 Hz, 2 X 1.5 X 6.3 NPT

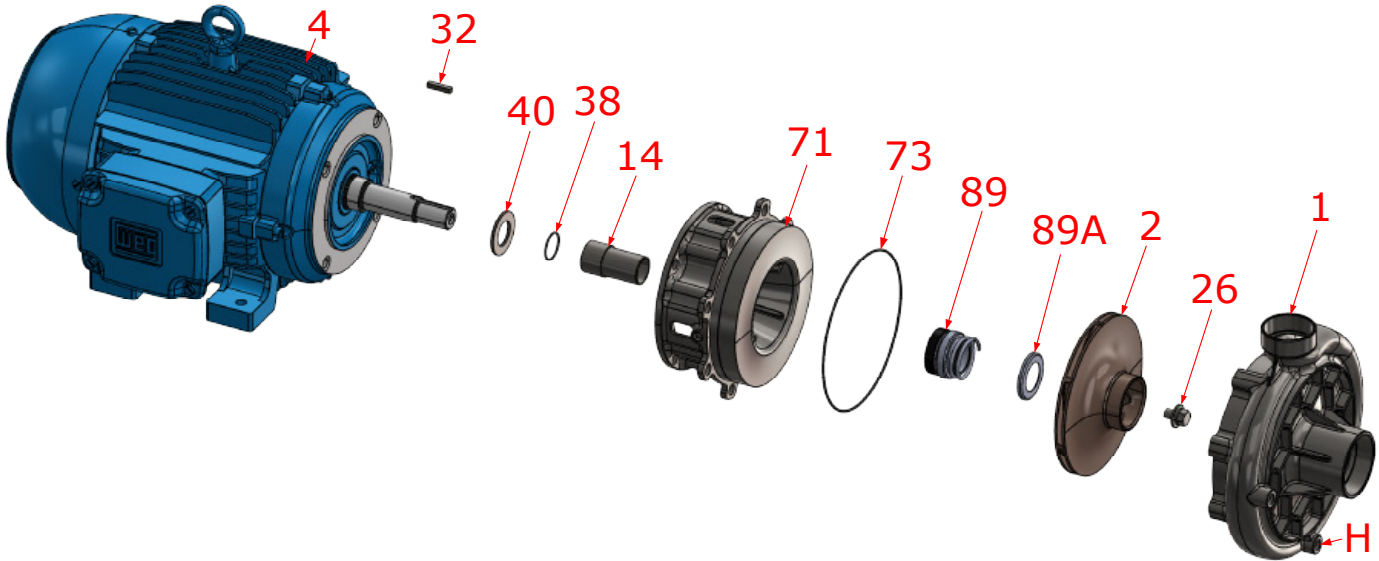
346 JM

Performance Curve

Performance Curve Number: 40.000.808	Pump 346 2.0 X 1.5 X 6.3	1.00 S.G. 70.0 °F	Imp. Type: Enclosed 1/28/2021	3500 RPM 60 Hz	Max Sphere: 0.21" PEI _{CL} 0.95
--------------------------------------	------------------------------------	----------------------	----------------------------------	-------------------	---



Parts



Key	Part Name	Part Number
1	Case 346, Stainless, 2.00 X 1.50 NPT, Stn plugs	3301276X
2	Impeller 346, PPS GF, Specify Dia., 6.30 Max, 7/8" Key	3301164
4	Motor chart, JM140/180	See Chart
14*	Sleeve, Stainless	137.001.476
26*	Impeller retaining assembly, Stainless	3301167
32*	Key, Stainless	102.000.102
38*	O-ring, Shaft, Buna	116.000.117
40*	Flinger, Stainless	104.000.165A
71	Adapter JM140/180, Stainless, Stn plug	3301277X
73*	O-ring, Case, Buna	3301256
89*	Seal, 1-1/8", Type 21, BN-CARB/CM	137.001.079
	Seal, 1-1/8", Type 21, EPDM-CARB/SIL	137.001.490
	Seal, 1-1/8", Type 21, EPDM-SIL/SIL	137.002.781
	Seal, 1-1/8", Type 21, VN-CARB/CM	137.001.324
	Seal, 1-1/8", Type 21, VN-CARB/SIL	137.001.669
	Seal, 1-1/8", Type 21, VN-SIL/SIL	137.001.546
89A*	Seal spring retainer, Stainless	137.001.477A
KIT	Repair Kit, 1-1/8" BN-CARB/CM Seal, Stn sleeve, BN O-ring	3301279
	Repair Kit, 1-1/8" EPDM-CARB/SIL, Stainless sleeve	3301280
	Repair Kit, 1-1/8" EPDM-SIL/SIL, Stainless sleeve	3301284
	Repair Kit, 1-1/8" VN-CARB/CM, Stainless sleeve	3301281
	Repair Kit, 1-1/8" VN-CARB/SIL Seal, Stainless Sleeve	3301282
	Repair Kit, 1-1/8" VN-SIL/SIL Seal, Stainless sleeve	3301283

* Denotes components included in repair kit

Motor Charts

