

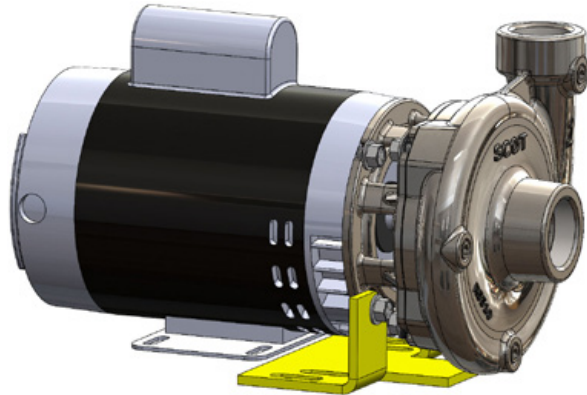


A WILO BRAND

MOTORPUMP™ — 3500 RPM

304SS, 60 Hz, 1.5 X 1.25 X 5.5 NPT

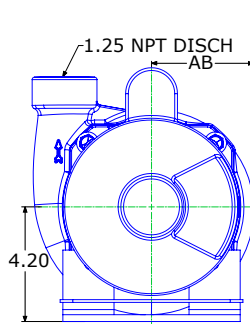
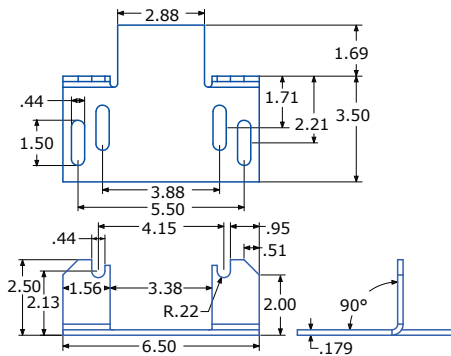
503S J56



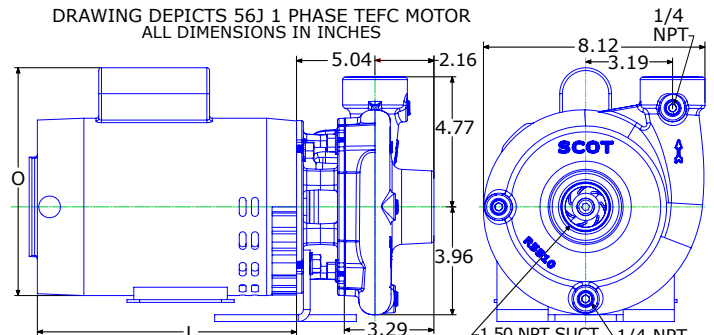
Drinking Water System Component NSF/ANSI 61
ALSO CLFD IN ACCORDANCE WITH NSF/ANSI 372

Motor Dimensions							
NEMA J56 Frame 3500 RPM							
HP	Type	3 Phase			1 Phase		
		L	O	AB	L	O	AB
1.0	ODP	8.65	6.46	3.32	9.81	8.37	3.25
1.5	ODP	9.04	6.46	3.32	10.31	8.37	3.25
2.0	ODP	9.44	6.46	3.32	10.31	8.37	3.25
3.0	ODP	10.22	6.46	3.32	10.84	8.37	3.25
1.0	TEFC	10.27	7.33	5.87	10.59	8.10	5.31
1.5	TEFC	11.06	7.33	5.87	10.59	8.10	5.31
2.0	TEFC	11.85	7.33	5.87	11.77	8.10	5.31
3.0	TEFC	13.03	7.33	5.87	12.16	8.10	5.31

Motors are Standard Efficient with the exception of the 1-2 HP 3 phase TEFC, which are Premium Efficient.

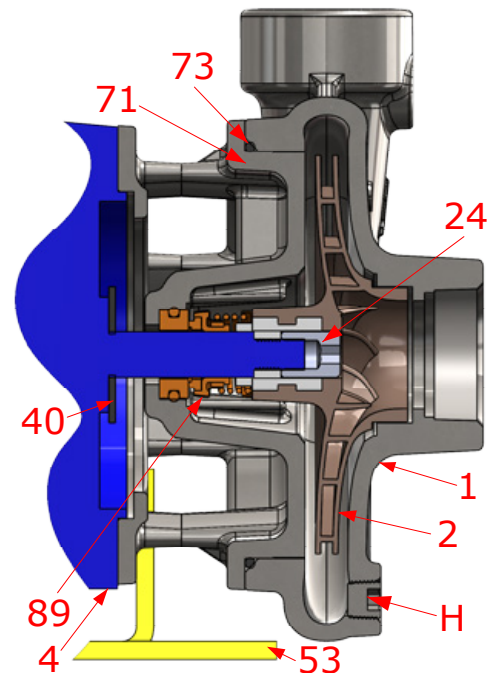


DRAWING DEPICTS 56J 1 PHASE TEFC MOTOR
ALL DIMENSIONS IN INCHES



Construction Options

Key	Part Name	Stainless Fitted
1	Case	304SS
2	Impeller	PPS GF
24	Locknut, Socket Head	304SS
40	Flinger	Neoprene
53	Base	Steel
71	Adapter	304SS
73	Gasket, Case	Buna
89	Mech Seal, Type 21 BN-CARB/CM	Standard
H	Plug, Drain	Stainless





A WILO BRAND

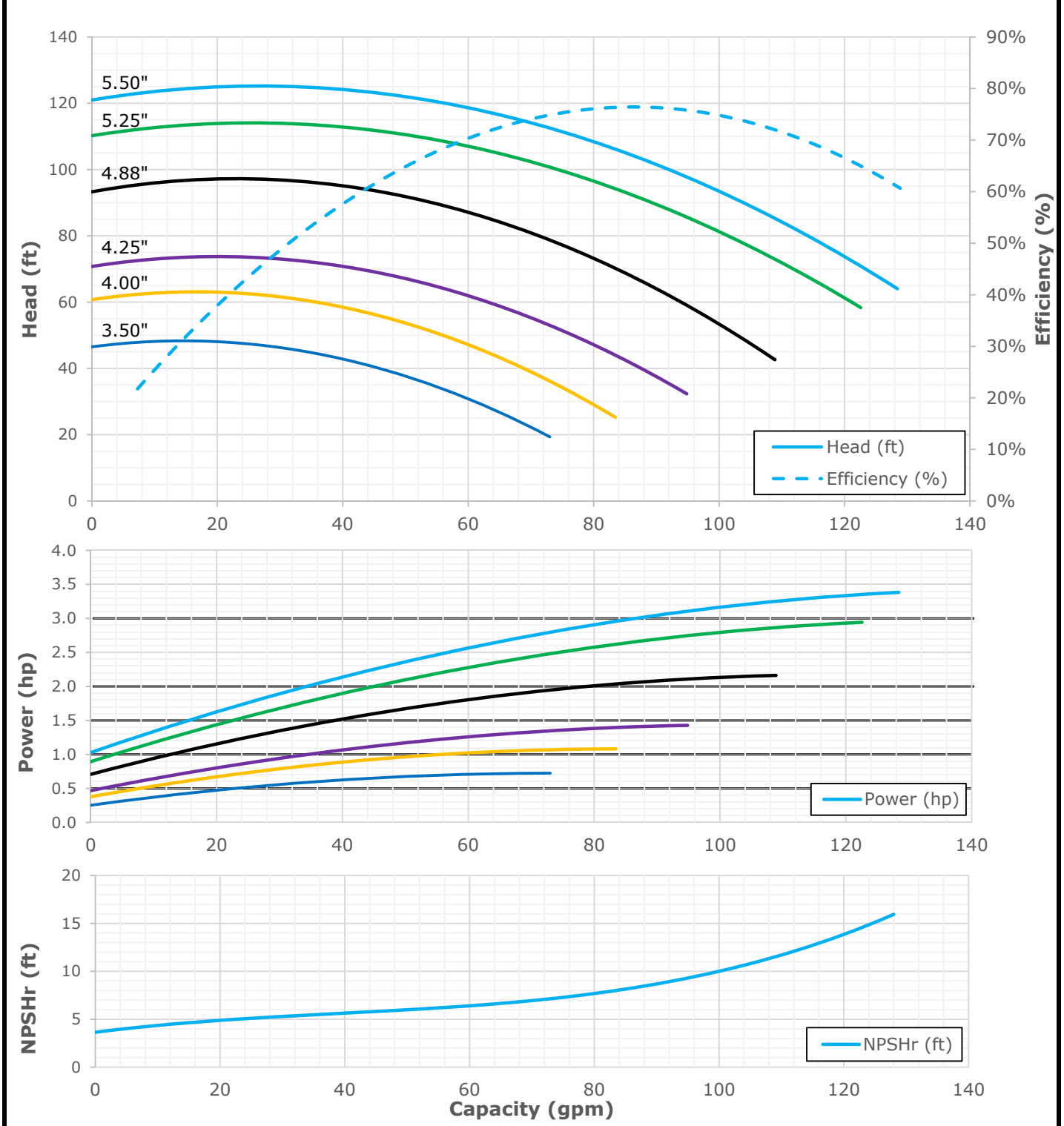
MOTORPUMP™ — 3500 RPM

304SS, 60 Hz, 1.5 X 1.25 X 5.5 NPT

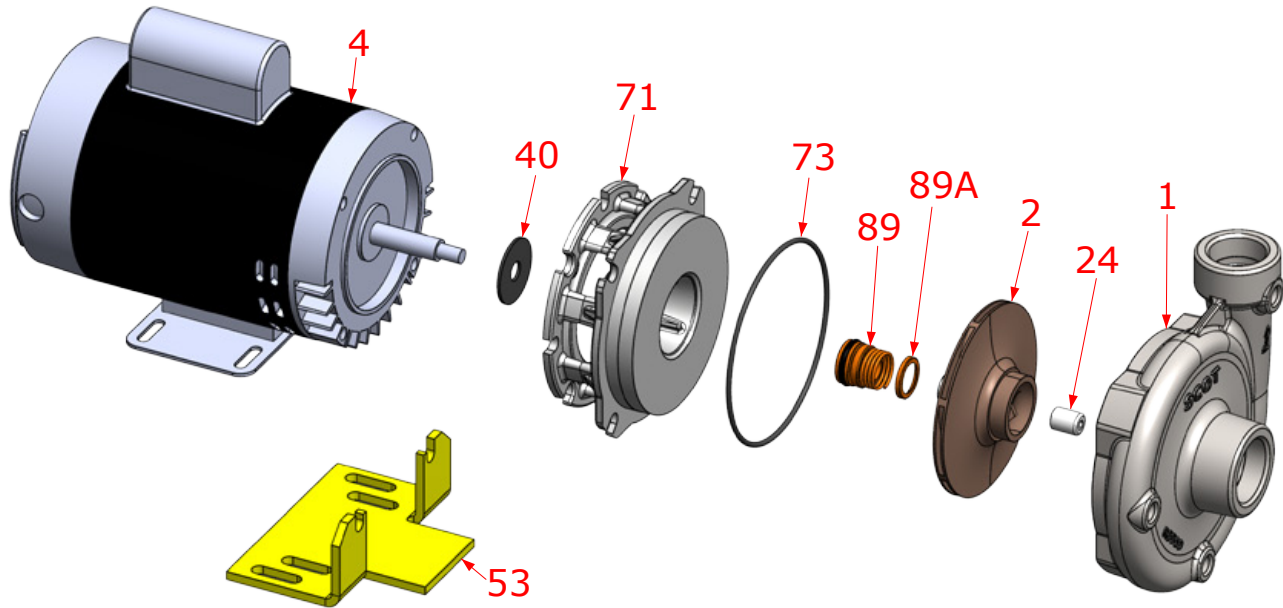
503S J56

Performance Curve

Performance Curve	Pump 503S	1.00 S.G.	Imp. Type: Enclosed	3500 RPM	Max Sphere: 3/16"
Number: 40.000.757S	1.5 X 1.25 X 5.5	70.0 °F	4/2/2020	60 Hz	PEI _{CL} 0.81



Parts



Key	Part Name	Part Number	
1	Case 503S, 304SS, 1.50 X 1.25 NPT Stainless plugs	3301133X	
2	Impeller, 503 PPS-GF, Specify Dia., 5.50 Max, 7/16" Thrd	3301046	
4	Motor chart, J56 3.5" Rigid Base	See Chart	
	Motor chart, J56 Round Body	See Chart	
24*+	Locknut, Stainless, Socket Head	110.000.190	
40*	Flinger, Neoprene	104.000.171	
53	Base, Steel	3301100	
71	Adapter, 304SS, J56, 5/8" Seal, with Stainless plug	3301135X	
73*	Gasket, Case, Buna	137.003.072	
89*	Seal, 5/8", Type 21, EPDM-CARB/SIL, With retainer	101.000.173	
	Seal, 5/8", Type 21, EPDM-SIL/SIL, With retainer	101.000.236	
	Seal, 5/8", Type 21, VN-CARB/CM, With retainer	101.000.103	
	Seal, 5/8", Type 21, VN-CARB/SIL, With retainer	101.000.120	
	Seal, 5/8", Type 21, VN-SIL/SIL, With retainer	101.000.239	
	Seal, 5/8", Type 6, BN-CARB/CM, No retainer	101.000.110	
KIT		3 Phase:	1 Phase:
	Repair Kit, 5/8" BN-CARB/CM Seal	118.000.677	118.000.677.1
	Repair Kit, 5/8" EPDM-CARB/SIL Seal	118.000.677C	118.000.677C.1
	Repair Kit, 5/8" EPDM-SIL/SIL Seal	118.000.677D	118.000.677D.1
	Repair Kit, 5/8" VN-CARB/CM Seal	118.000.677A	118.000.677A.1
	Repair Kit, 5/8" VN-CARB/SIL Seal	118.000.677B	118.000.677B.1
	Repair Kit, 5/8" VN-SIL/SIL Seal	118.000.677E	118.000.677E.1

* Denotes components included in repair kit.

+ Not required on 1/3 to 1-1/2 HP 1 phase motors.

Use 3 phase kits on 2-3 HP 1 phase motors.

Motor Charts

