

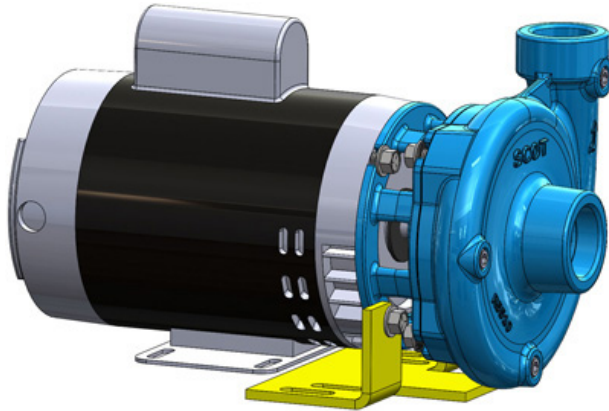


A WILO BRAND

MOTORPUMP™ — 3500 RPM

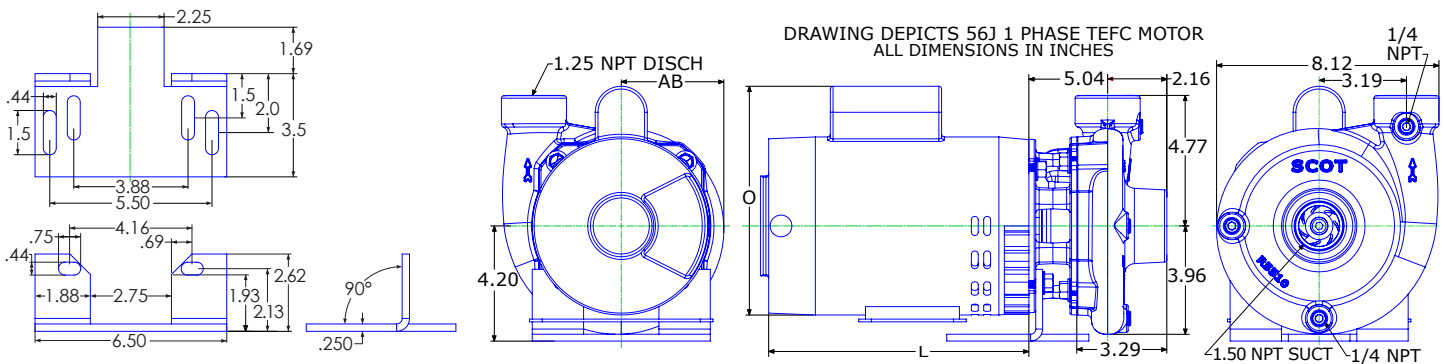
Iron, 60 Hz, 1.5 X 1.25 X 5.5 NPT

503 J56



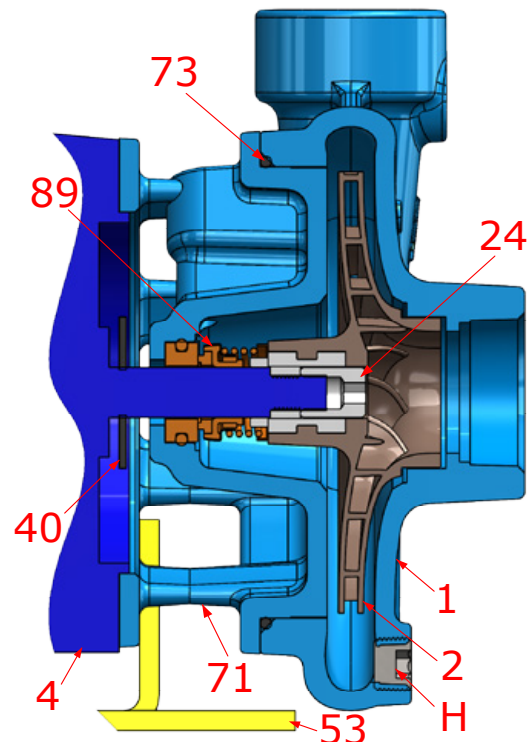
Motor Dimensions							
NEMA J56 Frame 3500 RPM							
HP	Type	3 Phase			1 Phase		
		L	O	AB	L	O	AB
1.0	ODP	8.65	6.46	3.32	9.81	8.37	3.25
1.5	ODP	9.04	6.46	3.32	10.31	8.37	3.25
2.0	ODP	9.44	6.46	3.32	10.31	8.37	3.25
3.0	ODP	10.22	6.46	3.32	10.84	8.37	3.25
1.0	TEFC	10.27	7.33	5.87	10.59	8.10	5.31
1.5	TEFC	11.06	7.33	5.87	10.59	8.10	5.31
2.0	TEFC	11.85	7.33	5.87	11.77	8.10	5.31
3.0	TEFC	13.03	7.33	5.87	12.16	8.10	5.31

Motors are Standard Efficient with the exception of the 1-2 HP 3 phase TEFC, which are Premium Efficient.



Construction Options

Key	Part Name	Standard Fitted	All Iron
1	Case	Iron	Iron
2	Impeller	PPS GF	PPS GF
24	Impeller Locknut	Stainless	Stainless
40	Flinger	Neoprene	Neoprene
53	Base	Steel	Steel
71	Adapter	Iron	Iron
73	Gasket, Case	Buna	Buna
89	Mechanical Seal, Type 6 BN-CM	Standard	Standard
H	Plug, Drain	Brass	Plated Steel





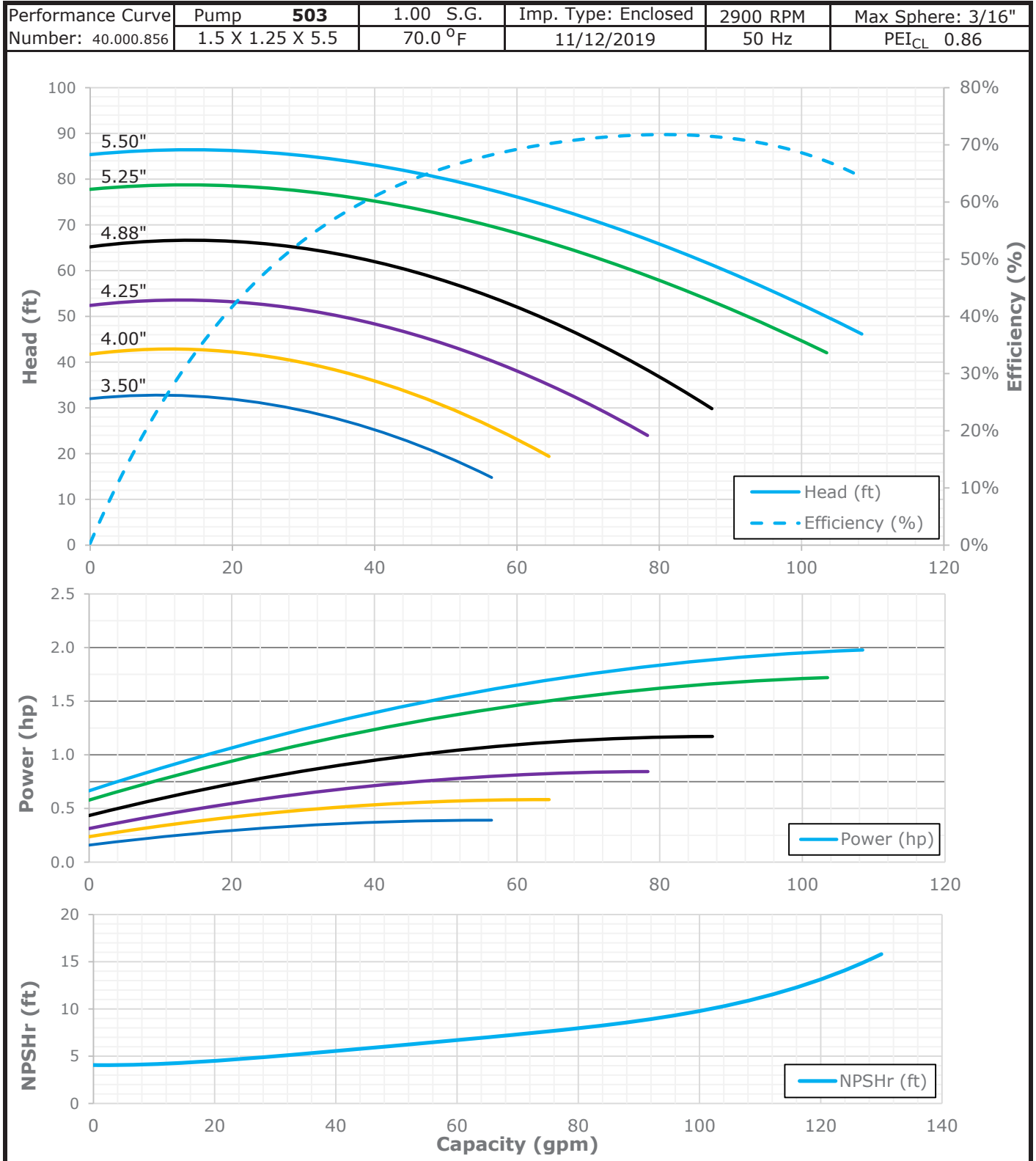
A WILO BRAND

MOTORPUMP™ — 3500 RPM

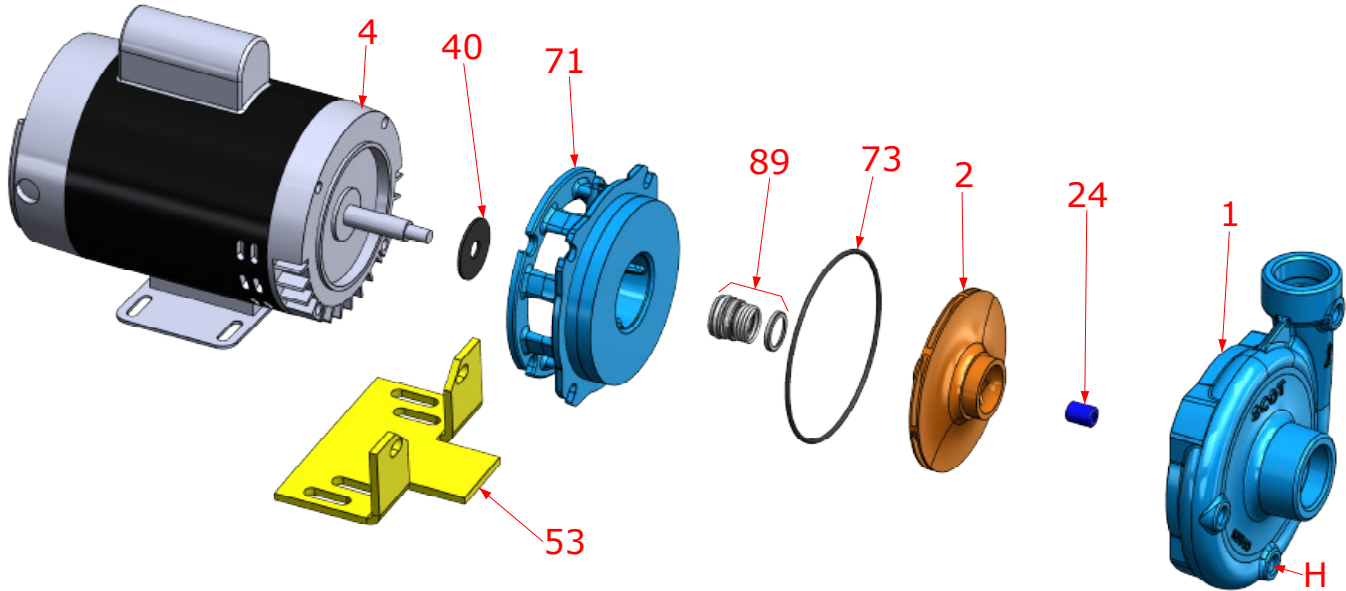
Iron, 60 Hz, 1.5 X 1.25 X 5.5 NPT

503 J56

Performance Curve



Parts



Key	Part Name	Part Number	
1	Case 503, Iron, 1.50 X 1.25 NPT Brass plugs	3301045X	
2	Impeller, 503 PPS-GF, Specify Dia., 5.50 Max, 7/16" Thrd	3301046	
4	Motor chart, J56 3.5" Rigid Base	See Chart	
	Motor chart, J56 Round Body	See Chart	
24*+	Locknut, Stainless, Socket Head	110.000.190	
40*	Flinger, Neoprene	104.000.171	
53	Base, Steel	3301100	
71	Adapter, Iron, J56, 5/8" Seal, with Brass plug	3301186X	
73*	Gasket, Case, Buna	137.003.072	
89*	Seal, 5/8", Type 21, EPDM-CARB/SIL, With retainer	101.000.173	
	Seal, 5/8", Type 21, EPDM-SIL/SIL, With retainer	101.000.236	
	Seal, 5/8", Type 21, VN-CARB/CM, With retainer	101.000.103	
	Seal, 5/8", Type 21, VN-CARB/SIL, With retainer	101.000.120	
	Seal, 5/8", Type 21, VN-SIL/SIL, With retainer	101.000.239	
	Seal, 5/8", Type 6, BN-CARB/CM, No retainer	101.000.110	
KIT		3 Phase:	1 Phase:
	Repair Kit, 5/8" BN-CARB/CM Seal	118.000.677	118.000.677.1
	Repair Kit, 5/8" EPDM-CARB/SIL Seal	118.000.677C	118.000.677C.1
	Repair Kit, 5/8" EPDM-SIL/SIL Seal	118.000.677D	118.000.677D.1
	Repair Kit, 5/8" VN-CARB/CM Seal	118.000.677A	118.000.677A.1
	Repair Kit, 5/8" VN-CARB/SIL Seal	118.000.677B	118.000.677B.1
	Repair Kit, 5/8" VN-SIL/SIL Seal	118.000.677E	118.000.677E.1

* Denotes components included in repair kit.

+ Not required on 1/3 to 1-1/2 HP 1 phase motors.

Use 3 phase kits on 2-3 HP 1 phase motors.

Motor Charts

Motor Chart
J56 Frame, Round Body - 2900 RPM - 3 Phase

3 PHASE 60 Hz 3500 RPM				
	208-230/460V		575V	
HP	ODP	TEFC	ODP	TEFC
1/3	113.000.366	REPLACED BY 3.5" RIGID BASE	REPLACED BY 3.5" RIGID BASE	113.000.506
1/2	113.000.354			113.000.502
3/4	113.000.372			113.000.469
1	113.000.360			113.000.411
1.5	113.000.349			113.000.562
2	113.000.368			113.001.347

Motors are the next larger 60Hz motor derated for 50Hz operation.

Motor Chart
J56 Frame, 3.5" Rigid Base - 2900 RPM - 3 Phase

3 PHASE 60 Hz 3500 RPM				
	208-230/460V		575V	
HP	ODP	TEFC	ODP	TEFC
1/3	113.000.118	113.001.154	137.001.634	113.001.211
1/2	137.001.080	137.001.223	137.001.635	137.002.416
3/4	137.001.081	137.001.232	137.001.636	137.001.548
1	137.001.069	113.000.409	137.001.456	137.002.409
1.5	137.001.052	137.001.211	137.001.637	137.001.774
2	137.001.082	137.001.188	137.001.503	137.002.544
3	137.001.134	- -	- -	- -

Motors are the next larger 60Hz motor derated for 50Hz operation.