



A WILO BRAND

# MOTORPUMP™ — 3500 RPM

304SS, 60 Hz, 1.5 X 1.25 X 6.3 NPT

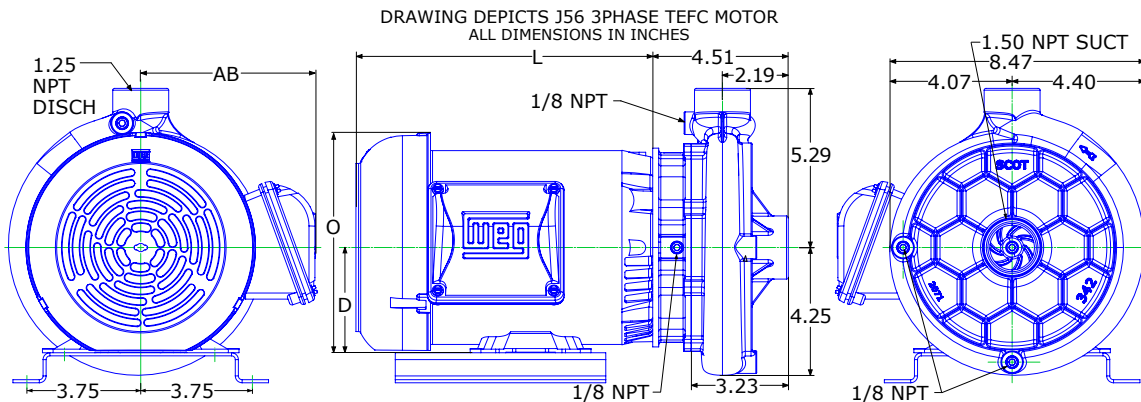
# 342 J56



Drinking Water System Component NSF/ANSI 61 ALSO CLFD IN ACCORDANCE WITH NSF/ANSI 372

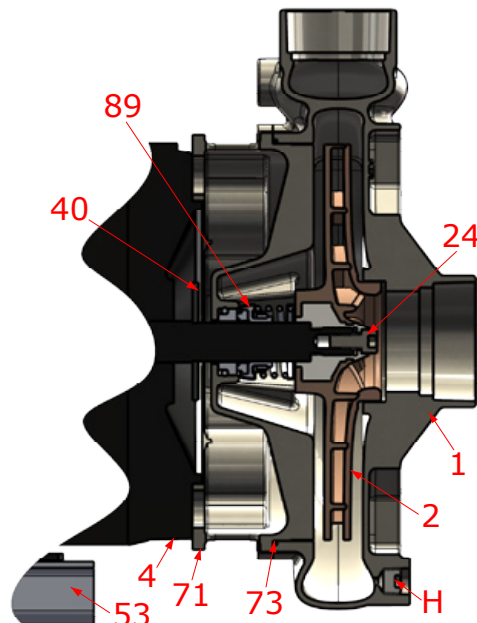
Motor Dimensions							
NEMA J56 Frame 3500 RPM							
HP	Type	3 Phase			1 Phase		
		L	O	AB	L	O	AB
1.5	ODP	9.04	6.46	3.32	10.31	8.37	3.25
2.0	ODP	9.44	6.46	3.32	10.31	8.37	3.25
3.0	ODP	10.22	6.46	3.32	10.84	8.37	3.25
5.0	ODP	11.37	6.50	3.25	-	-	-
1.5	TEFC	11.06	7.33	5.87	10.59	8.10	5.31
2.0	TEFC	11.85	7.33	5.87	11.77	8.10	5.31
3.0	TEFC	13.03	7.33	5.87	12.16	8.10	5.31
5.0	TEFC	15.37	9.22	6.70	-	-	-

5HP 1ph not available. 5HP TEFC has 4.50" rigid base and does not require sub-base. Motors are Standard Efficient with the exception of 5HP ODP and 2-5HP 3 phase TEFC, which are Premium Efficient.



## Construction Options

Key	Part Name	Stainless
1	Case	304SS
2	Impeller	PPS-GF
24	Retainer, Cap Screw	304SS
40	Flinger	Neoprene
53	Base	Steel
71	Adapter	304SS
73	Gasket, Case	Buna
89	Mech Seal, Type 21 BN-CARB/SIL	Standard
H	Plug, Drain	304SS





A WILO BRAND

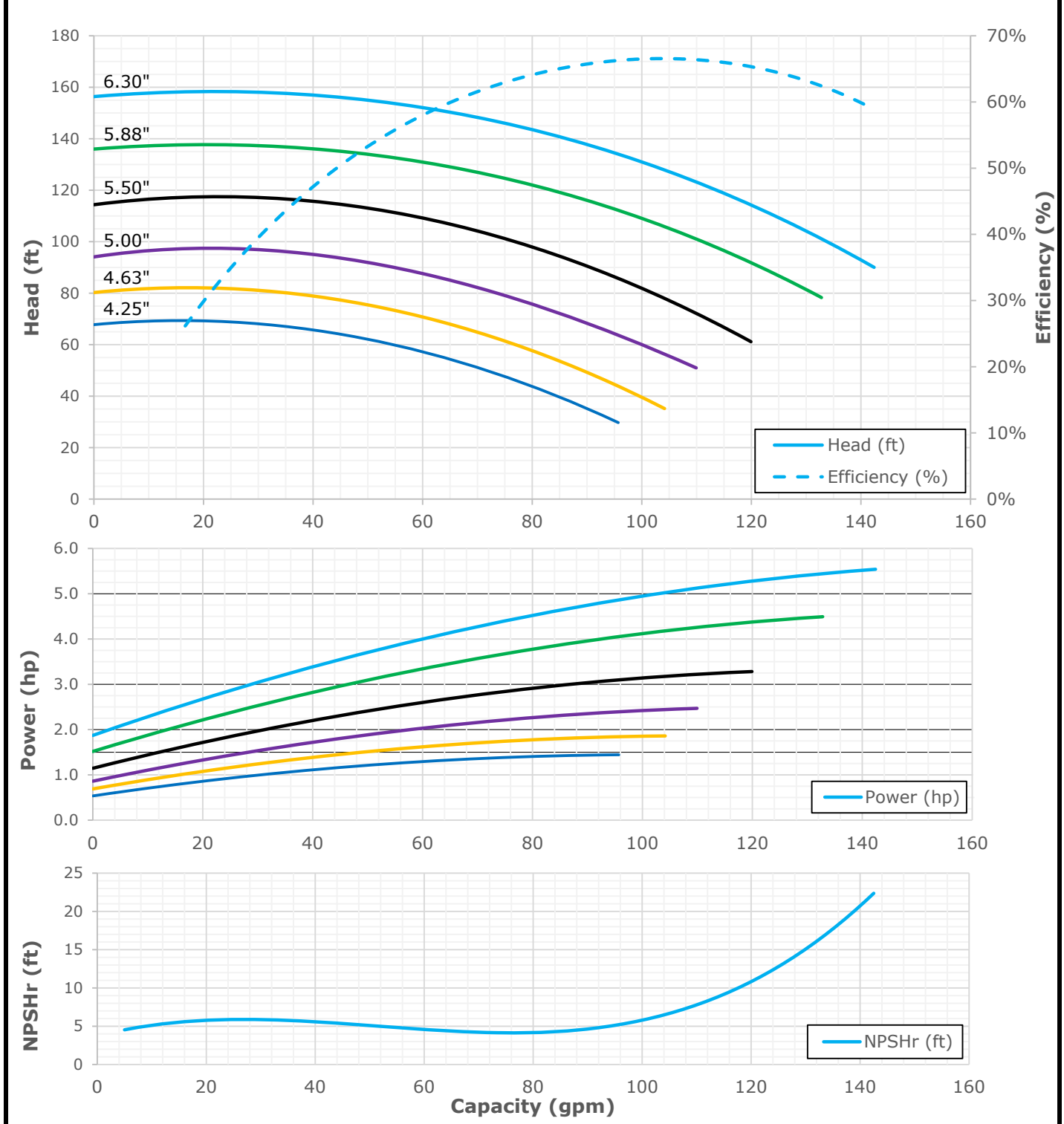
# MOTORPUMP™ — 3500 RPM

304SS, 60 Hz, 1.5 X 1.25 X 6.3 NPT

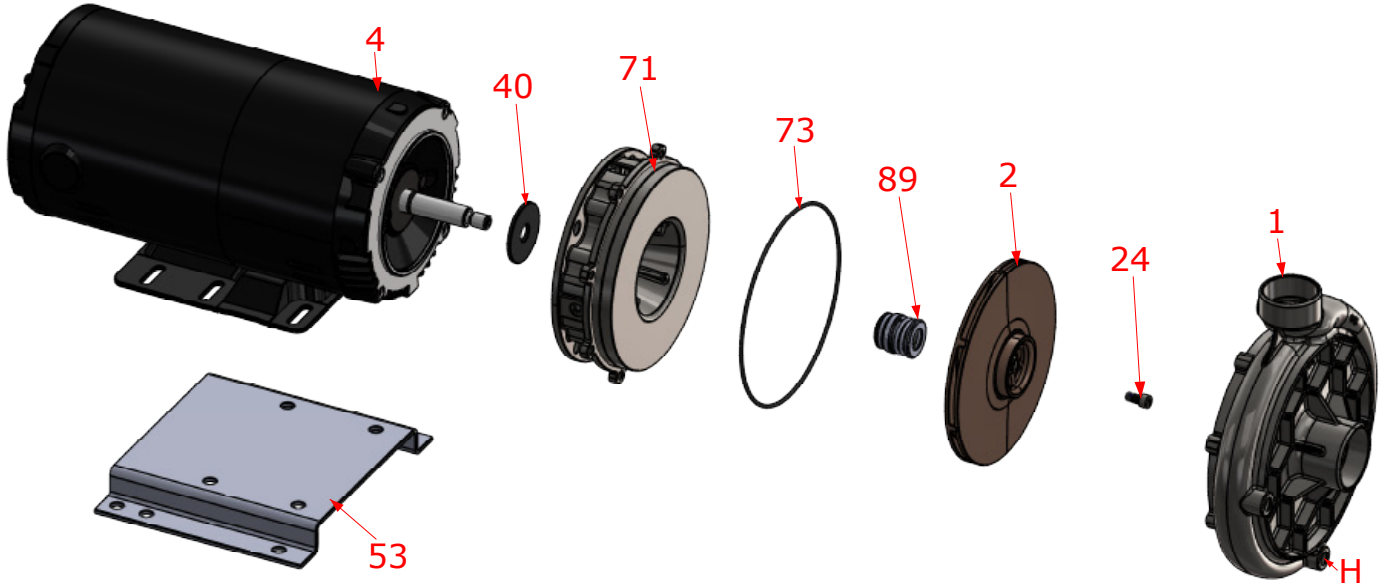
# 342 J56

## Performance Curve

Performance Curve	Pump <b>342</b>	1.00 S.G.	Imp. Type: Enclosed	3500 RPM	Max Sphere: 0.19"
Number: 40.000.807	1.50 X 1.25 X 6.3	70.0 °F	2/4/2021	60 Hz	PEI <sub>CL</sub> 0.89



**Parts**



Key	Part Name	Part Number	
1	Case 342, Stainless, 1.50 X 1.25 NPT, Stn plugs	3301255X	
2	Impeller 342, PPS-GF, Specify Dia., 6.30 Max, 7/16" Thrd	3301120	
4	Motor chart, J56 3.5" Rigid Base	See Chart	
	Motor chart, J56 4.5" Rigid Base	See Chart	
24*	Retainer, Cap screw	137.003.152	
40*	Flinger, Neoprene	104.000.171	
53**	Base, Steel	137.001.130	
71	Adapter, Stainless, Stn plug	3301210X	
73*	O-ring, Case, Buna	3301256	
89*	Seal, 5/8", Type 21, BN-CARB/SIL with retainer	137.002.401	
	Seal, 5/8", Type 21, EPDM CARB/SIL with retainer	137.002.258	
	Seal, 5/8", Type 21, VN-CARB/SIL with retainer	137.002.390	
	Seal, 5/8", Type 21, VN-SIL/SIL with retainer	137.002.406	
KIT		<b>3 Phase:</b>	<b>1 Phase:</b>
	Repair Kit, 5/8" BN-CARB/SIL Seal	3301265	3301261
	Repair Kit, 5/8" EPDM-CARB/SIL Seal	3301266	3301262
	Repair Kit, 5/8" VN-CARB/SIL Seal	3301267	3301263
	Repair Kit, 5/8" VN-SIL/SIL Seal	3301268	3301264

\* Denotes components included in repair kit.

\*\* Not required on 4.50" rigid base motors.

Use 3 phase kit on 2-3 HP 1 phase motors.

## Motor Charts

**Motor Chart**  
J56 Frame, 3.5" Rigid Base - 3500 RPM - 1 & 3 Phase

1 PHASE 60 Hz 3500 RPM			3 PHASE 60 Hz 3500 RPM				
115/230V			208-230/460V		575V		
HP	ODP	TEFC	HP	ODP	TEFC	ODP	TEFC
1/3	113.000.880	137.001.633	1/3	- -	- -	- -	- -
1/2	113.000.116	113.000.929	1/2	113.000.118	113.001.154	137.001.634	113.001.211
3/4	137.001.439	113.000.167	3/4	137.001.080	137.001.223	137.001.635	137.002.416
1	137.001.097	137.001.352	1	137.001.081	137.001.232	137.001.636	137.001.548
1.5	137.001.658	137.001.538	1.5	137.001.069	113.000.409	137.001.456	137.002.409
2	137.001.671	137.001.204	2	137.001.052	137.001.211	137.001.637	137.001.774
3	137.001.672	137.001.539	3	137.001.082	137.001.188	137.001.503	137.002.544
5	- -	- -	5	137.001.134	- -	- -	- -

D1367

**Motor Chart**  
J56 Frame, 4.5" Rigid Base - 3500 RPM - 3 Phase

3 PHASE 60 Hz 3500 RPM		
208-230/460V		
HP	ODP	TEFC
1/2	137.001.187	
3/4	137.001.124	
1	137.001.136	USE 3.5" RIGID BASE
1.5	137.001.137	
2	137.001.135	
3	137.001.123	
5	- -	137.001.433

D1366