



A WILO BRAND

# MOTORPUMP™ — 3500 RPM

304SS, 60 Hz, 1.25 X 1 X 6.3 NPT

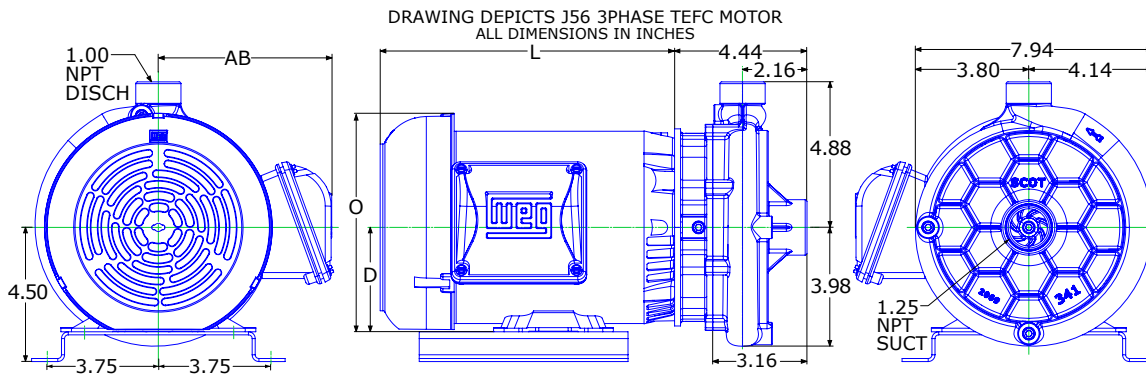
# 341 J56



Drinking Water System Component  
NSF/ANSI 61  
ALSO CLFD IN ACCORDANCE WITH NSF/ANSI 372

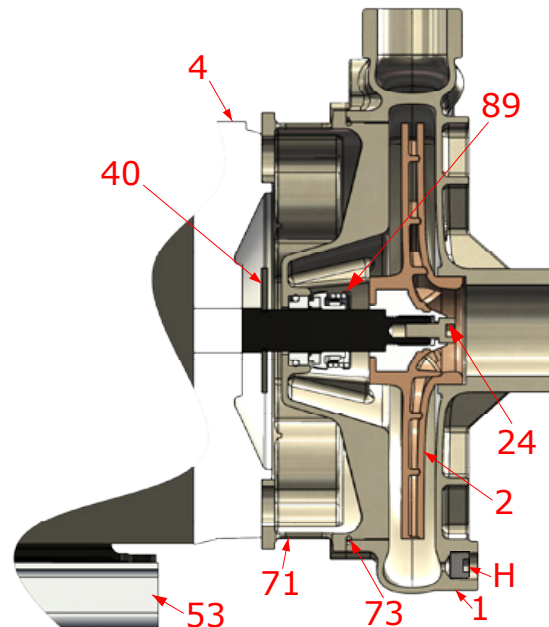
Motor Dimensions							
NEMA J56 Frame 3500 RPM							
HP	Type	3 Phase			1 Phase		
		L	O	AB	L	O	AB
0.5	ODP	8.26	6.46	3.32	9.06	8.37	3.25
0.75	ODP	8.65	6.46	3.32	9.56	8.37	3.25
1.0	ODP	8.65	6.46	3.32	9.81	8.37	3.25
1.5	ODP	9.04	6.46	3.32	10.31	8.37	3.25
2.0	ODP	9.44	6.46	3.32	10.31	8.37	3.25
3.0	ODP	10.22	6.46	3.32	10.84	8.37	3.25
5.0	ODP	11.37	6.50	3.25	-	-	-
0.5, 0.75	TEFC	9.48	7.33	5.87	9.43	8.10	5.31
1.0	TEFC	10.27	7.33	5.87	10.59	8.10	5.31
1.5	TEFC	11.06	7.33	5.87	10.59	8.10	5.31
2.0	TEFC	11.85	7.33	5.87	11.77	8.10	5.31
3.0	TEFC	13.03	7.33	5.87	12.16	8.10	5.31
5.0	TEFC	15.37	9.22	6.70	-	-	-

5HP 1ph not available. 5HP TEFC has 4.50" rigid base and does not require sub-base. Motors are Standard Efficient with the exception of 5HP ODP and 2-5HP 3 phase TEFC, which are Premium Efficient.



## Construction Options

Key	Part Name	Stainless
1	Case	304SS
2	Impeller	PPS-GF
24	Cap screw, Retainer	304SS
40	Flinger	Neoprene
53	Base	Steel
71	Adapter	304SS
73	Gasket, Case	Buna
89	Mech Seal, Type 21 BN-CARB/SIL	Standard
H	Plug, Drain	304SS





A WILO BRAND

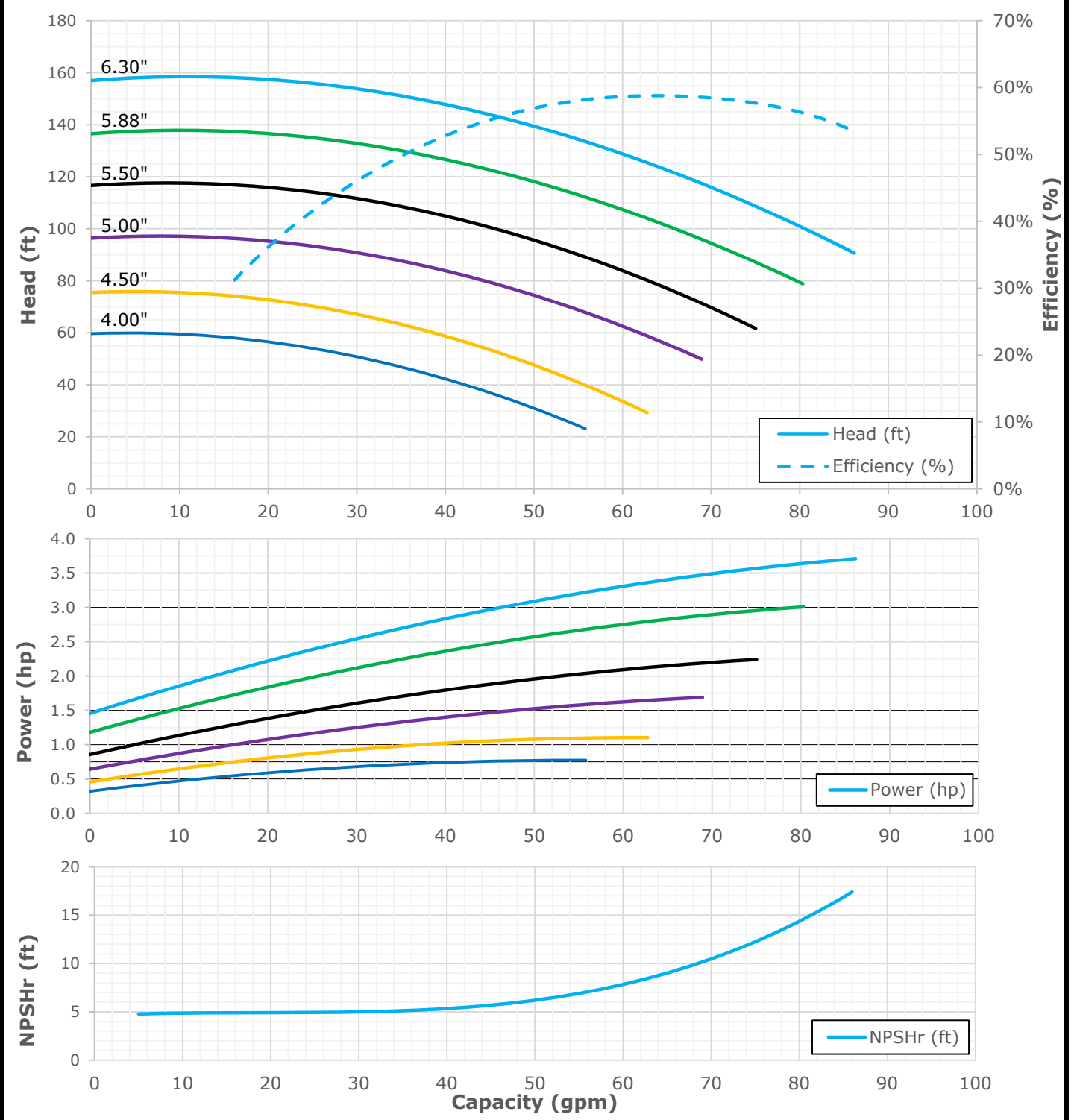
# MOTORPUMP™ — 3500 RPM

304SS, 60 Hz, 1.25 X 1 X 6.3 NPT

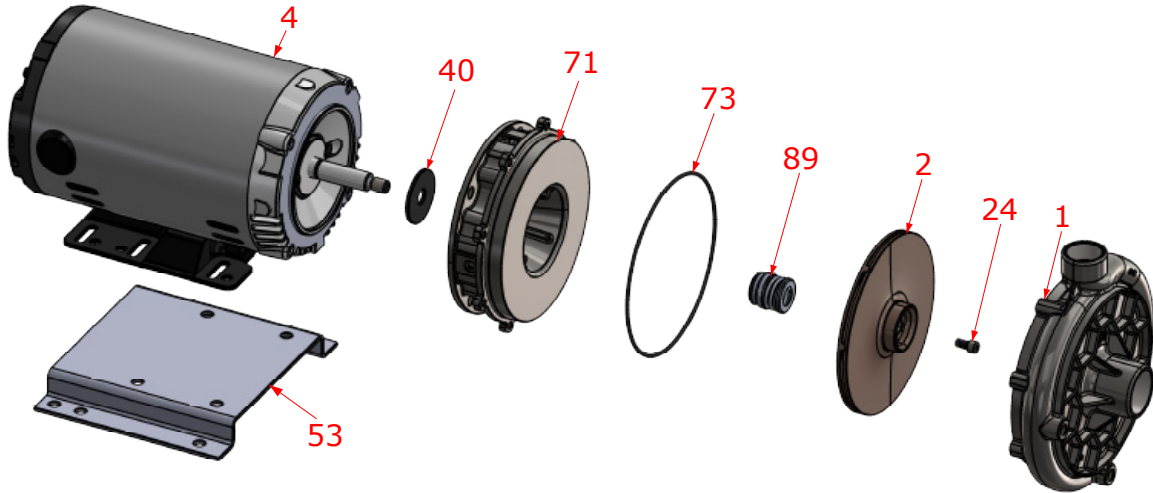
# 341 J56

## Performance Curve

Performance Curve	Pump <b>341</b>	1.00 S.G.	Imp. Type: Enclosed	3500 RPM	Max Sphere: 3/32"
Number: 40.000.806	1.25 X 1.0 X 6.3	70.0 °F	2/4/2021	60 Hz	PEI <sub>CL</sub> 0.87



## Parts



Key	Part Name	Part Number	
1	Case 341, Stainless, 1.25 X 1.00 NPT, Stn plugs	3301207X	
2	Impeller 341, PPS-GF, 7/16" Threaded:		
	Specify diameter	3301119	
	3.50"	3301214	
	3.75"	3301213	
	3.94"	3301206	
	4.19"	3301212	
	4.25"	3301211	
	4.38"	3301205	
	4.68"	3301204	
	4.75"	3301203	
	5.06"	3301202	
	5.19"	3301223	
	5.31"	3301201	
	5.56"	3301199	
	5.63"	3301200	
	6.06"	3301198	
6.30"	3301119		
4	Motor chart, J56 3.5" Rigid Base	See Chart	
	Motor chart, J56 4.5" Rigid Base	See Chart	
24*+	Retainer, Cap Screw	137.003.152	
40*	Flinger, Neoprene	104.000.171	
53**	Base, Steel	137.001.130	
71	Adapter, Stainless, Stn plug	3301210X	
73*	O-ring, Case, Buna	3301256	
89*	Seal, 5/8", Type 21, BN-CARB/SIL w/retainer	137.002.401	
	Seal, 5/8", Type 21, EPDM CARB/SIL w/retainer	137.002.258	
	Seal, 5/8", Type 21, VN-CARB/SIL w/retainer	137.002.390	
	Seal, 5/8", Type 21, VN-SIL/SIL w/retainer	137.002.406	
KIT		<b>3 Phase:</b>	<b>1 Phase:</b>
	Repair Kit, 5/8" BN-CARB/SIL Seal	3301265	3301261
	Repair Kit, 5/8" EPDM-CARB/SIL Seal	3301266	3301262
	Repair Kit, 5/8" VN-CARB/SIL Seal	3301267	3301263
	Repair Kit, 5/8" VN-SIL/SIL Seal	3301268	3301264

\* Denotes components included in repair kit.

+ Not required on 1 phase motors.

\*\* Not required on 4.50" rigid base motors

## Motor Charts

**Motor Chart**  
J56 Frame, 3.5" Rigid Base - 3500 RPM - 1 & 3 Phase

1 PHASE 60 Hz 3500 RPM			3 PHASE 60 Hz 3500 RPM				
115/230V			208-230/460V		575V		
HP	ODP	TEFC	HP	ODP	TEFC	ODP	TEFC
1/3	113.000.880	137.001.633	1/3	- -	- -	- -	- -
1/2	113.000.116	113.000.929	1/2	113.000.118	113.001.154	137.001.634	113.001.211
3/4	137.001.439	113.000.167	3/4	137.001.080	137.001.223	137.001.635	137.002.416
1	137.001.097	137.001.352	1	137.001.081	137.001.232	137.001.636	137.001.548
1.5	137.001.658	137.001.538	1.5	137.001.069	113.000.409	137.001.456	137.002.409
2	137.001.671	137.001.204	2	137.001.052	137.001.211	137.001.637	137.001.774
3	137.001.672	137.001.539	3	137.001.082	137.001.188	137.001.503	137.002.544
5	- -	- -	5	137.001.134	- -	- -	- -

D1367

**Motor Chart**  
J56 Frame, 4.5" Rigid Base - 3500 RPM - 3 Phase

3 PHASE 60 Hz 3500 RPM		
208-230/460V		
HP	ODP	TEFC
1/2	137.001.187	
3/4	137.001.124	
1	137.001.136	USE 3.5" RIGID BASE
1.5	137.001.137	
2	137.001.135	
3	137.001.123	
5	- -	137.001.433

D1366