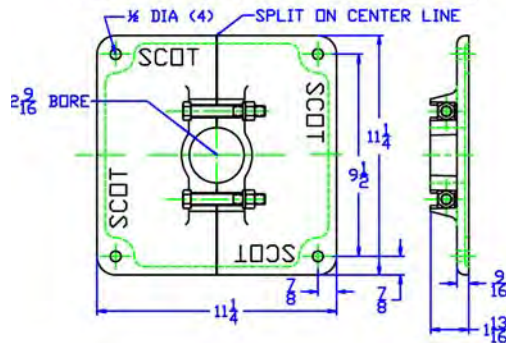


MOTOR DIMENSIONS NEMA PREMIUM EFFICIENT TCV FRAME 1750 RPM 3 PHASE TEFC

HP	FRAME	L	AB	O	H
1.0	TCV143	11.25	5.73	7.19	4.63

1HP 3/60/208-230/460V TEFC MOTORS ARE STANDARD. SMALLER HORSEPOWER OR SINGLE PHASE MOTORS ARE OPTIONAL AND AVAILABLE ON A SPECIAL ORDER BASIS FOR HIGH VOLUME APPLICATIONS.

OPTIONAL MOUNTING PLATE MP11

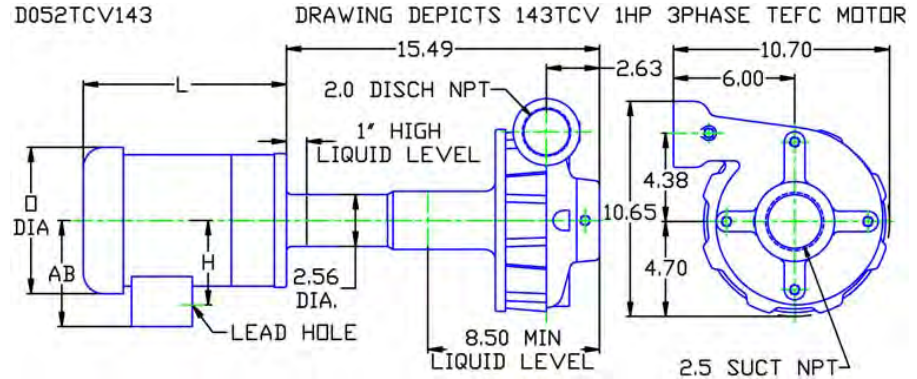


D1040
05010VWE

52
TCV
KVWE 52

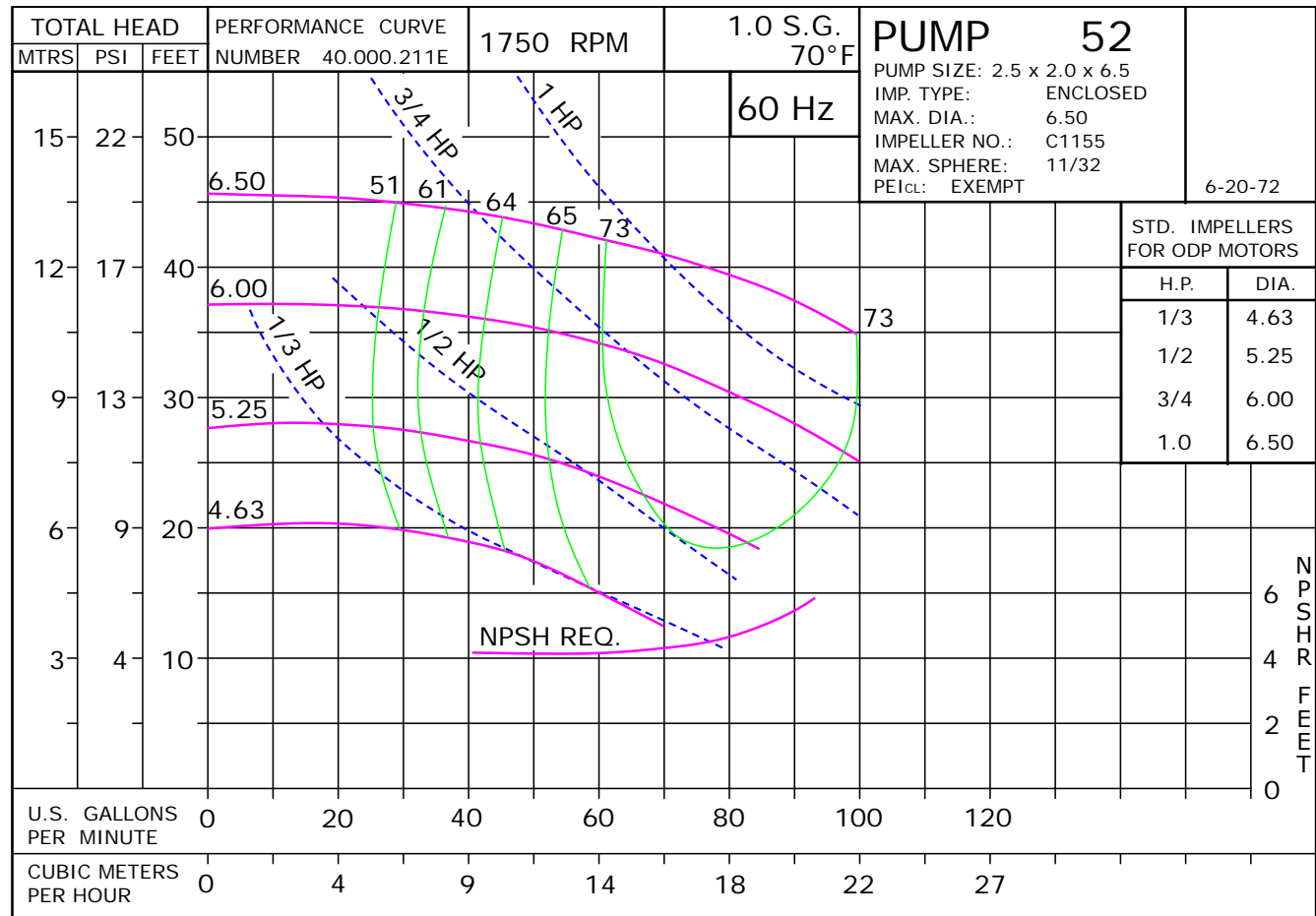
D052TCV143
0521750

0521750TCV
81.001.780 M19

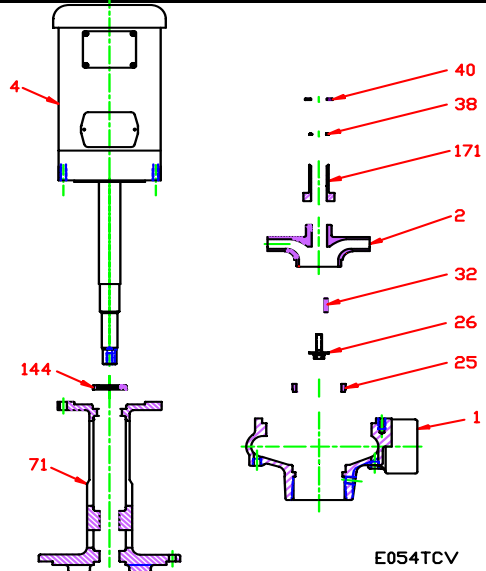


ALL DIMENSIONS IN INCHES.

DRAWING REPRESENTS APPROXIMATE PUMP DIMENSIONS. AUTOCAD DRAWING TO SCALE AVAILABLE FROM FACTORY.



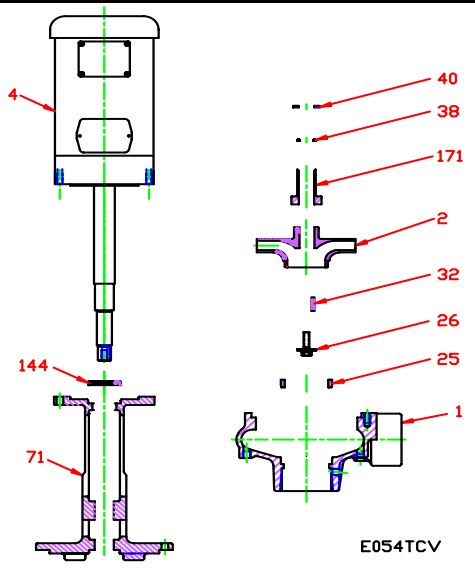
KVWE 52 • Iron • TCV Frame • 1750 RPM



KEY NO.	PART NAME	PUMP NO. KVWE 52
1+	CASE, IRON, 2.5 x 2 NPT	130.000.219X1
2	IMPELLER, 7/8" KEYED ENCLOSED, SPECIFY DIAMETER: IRON	137.000.120
4	MOTOR, TCV140	See Chart
25	WEAR RING, STEEL	103.000.154
26*	IMPELLER RETAINER, STAINLESS	118.000.163A
32*	KEY, STAINLESS	102.000.102
38*	O-RING, SHAFT, VITON	116.000.105
40*	FLINGER, STAINLESS	104.000.165A
71	ADAPTER, IRON	132.000.291B
144*	LIP SEAL, BUNA	101.000.244
171*	THROTTLE BUSHING, STEEL	110.000.348C
--	REPAIR KIT	118.000.628
	MOUNTING PLATE MP11: (not shown)	118.000.329
	MOUNTING PLATE (2 REQ'D)	132.000.292
--	CAP SCREW (2 REQ'D)	105.000.457
	WASHER (2 REQ'D)	137.000.697
	NUT (2 REQ'D)	105.000.122

* DENOTES COMPONENTS INCLUDED IN REPAIR KIT.

VWE 52 • Iron • TCV Frame • 1750 RPM



E054TCV

CONSTRUCTION OPTIONS		
KEY NO.	PART NAME	CAST IRON
1	Case	Iron
2	Impeller	Iron
25	Wear Ring	Steel
26	Impeller Retainer Assembly	Stainless
32	Key	Stainless
38	O-ring, Shaft	Viton
40	Flinger	Stainless
71	Adapter	Iron
144	Lip Seal	BUNA
171	Throttle Bushing	Steel
NS	Mounting Plate MP11: (not shown)	Iron

E054TCV

F15

C0521750TCV