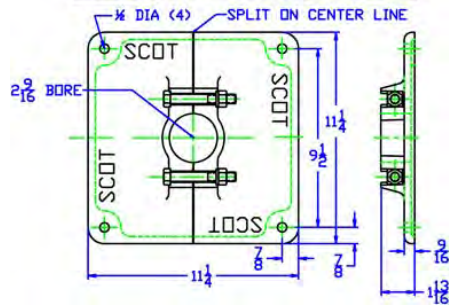


MOTOR DIMENSIONS NEMA PREMIUM EFFICIENT TCV FRAME 1750 RPM 3 PHASE TEFC

HP	FRAME	L	AB	O	H
1.0	TCV143	11.25	5.73	7.19	4.63

1HP 3/60/208-230/460V TEFC MOTORS ARE STANDARD. SMALLER HORSEPOWER OR SINGLE PHASE MOTORS ARE OPTIONAL AND AVAILABLE ON A SPECIAL ORDER BASIS FOR HIGH VOLUME APPLICATIONS.

OPTIONAL MOUNTING PLATE MP11



D1040MP11
02507VFE

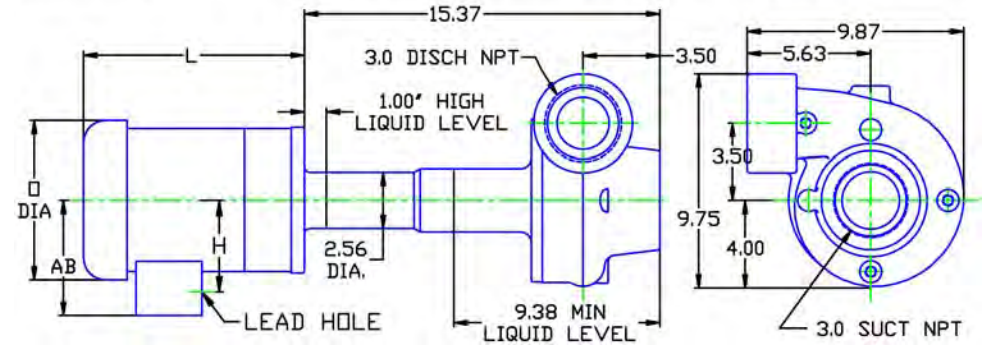
D025TCV143
0251750

25
TCV
KVFE 25

0251750TCV
81.001.778 M19

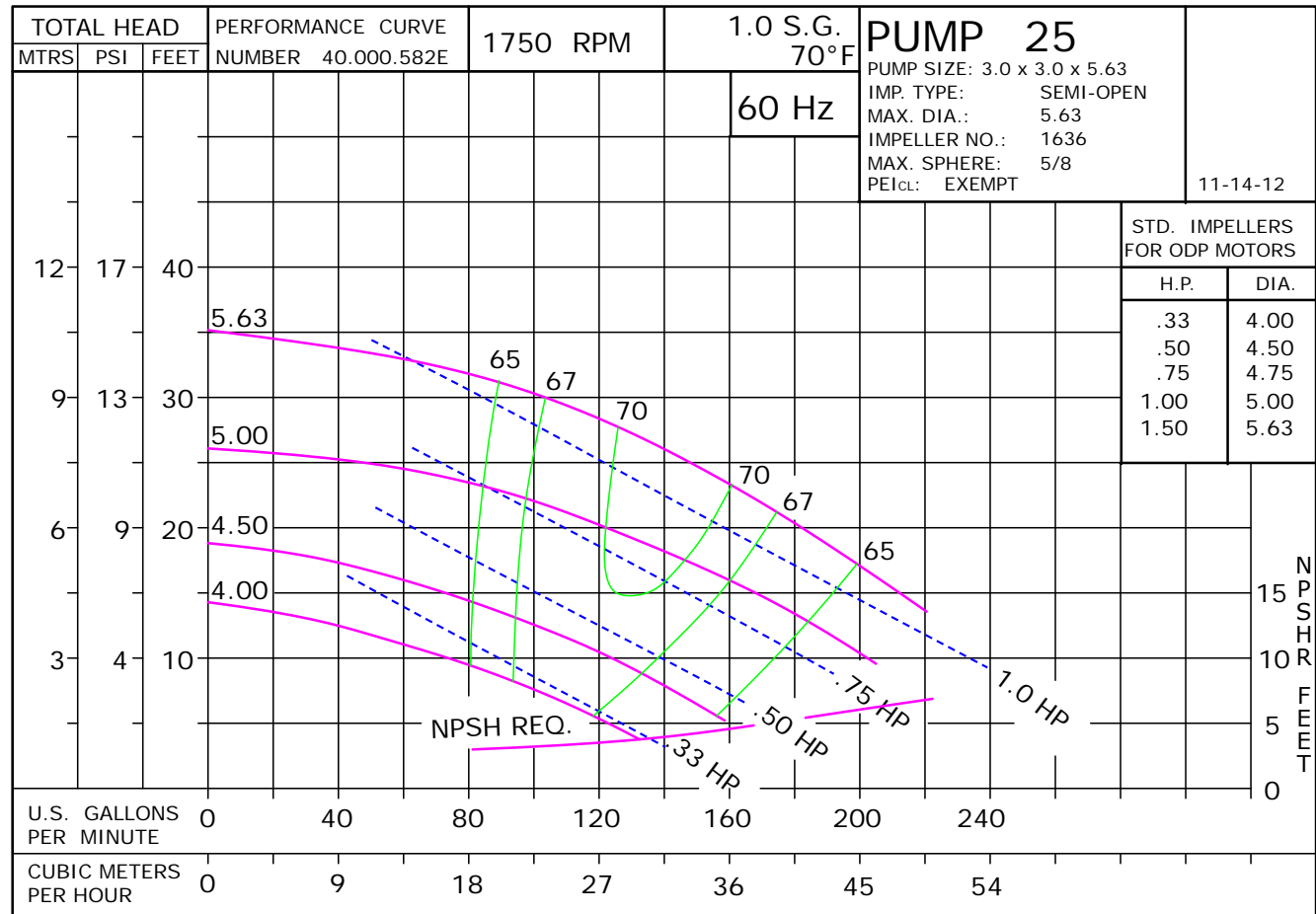
D025TCV143

DRAWING DEPICTS 143TCV 1HP 3PHASE TEFC MOTOR

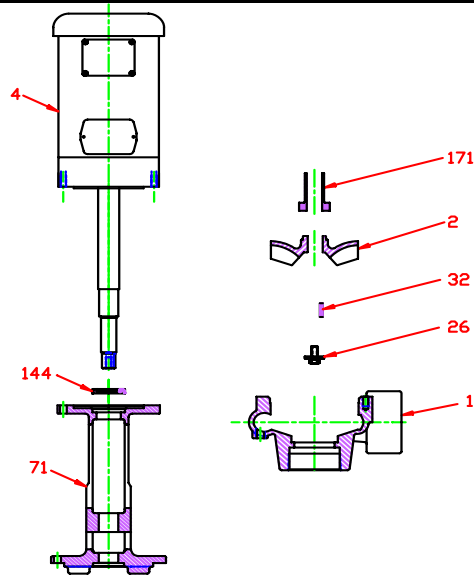


ALL DIMENSIONS IN INCHES.

DRAWING REPRESENTS APPROXIMATE PUMP DIMENSIONS. AUTOCAD DRAWING TO SCALE AVAILABLE FROM FACTORY.



VFE 25 • Iron • TCV Frame • 1750 RPM



KEY NO.	PART NAME	PUMP NO. 25
1	CASE, IRON, 3 x 3 NPT	130.000.224X1
2	IMPELLER, 7/8" KEYED, SEMI-OPEN, SPECIFY DIAMETER: IRON	137.000.342
4	MOTOR, TCV140	See Chart
26*	IMPELLER RETAINER, STAINLESS	118.000.111A
32*	KEY, STAINLESS	102.000.102
71	ADAPTER, IRON	132.000.290
144*	LIP SEAL, BUNA	101.000.244
171*	THROTTLE BUSHING, STEEL	110.000.348
--	REPAIR KIT	118.000.545
	MOUNTING PLATE MP11: (not shown)	118.000.329
--	MOUNTING PLATE (2 REQ'D)	132.000.292
	CAP SCREW (2 REQ'D)	105.000.457
	WASHER (2 REQ'D)	137.000.697
	NUT (2 REQ'D)	105.000.122

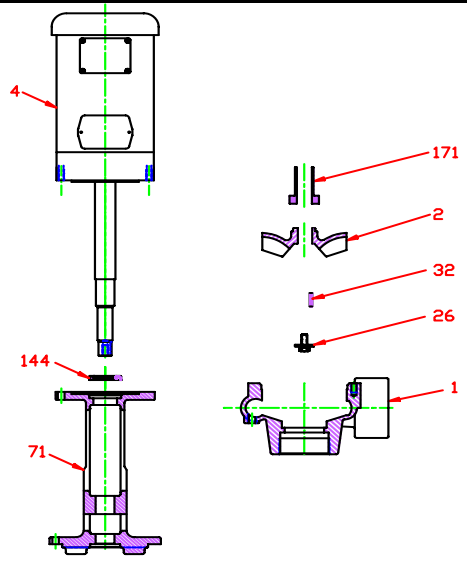
* DENOTES COMPONENTS INCLUDED IN REPAIR KIT.

E025TCV

C16

P0251750TCV

VFE 25 • Iron • TCV Frame • 1750 RPM



CONSTRUCTION OPTIONS		
KEY NO.	PART NAME	CAST IRON
1	Case	Iron
2	Impeller	Iron
26	Impeller Retainer	Stainless
32	Key	Stainless
71	Adapter	Iron
144	Lip Seal	BUNA
171	Throttle Bushing	Steel
NS	Mounting Plate	Iron

E025TCV
F15

C0251750TCV