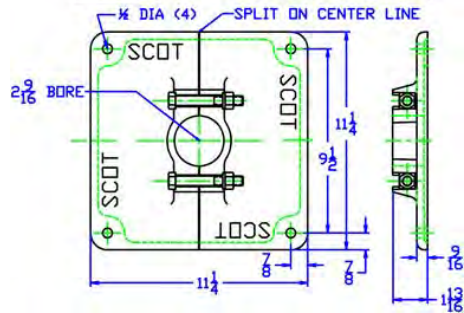


### MOTOR DIMENSIONS NEMA PREMIUM EFFICIENT TCV FRAME 1750 RPM 3 PHASE TEFC

HP	FRAME	L	AB	O	H
1.0	TCV143	11.25	5.73	7.19	4.63

1HP 3/60/208-230/460V TEFC MOTORS ARE STANDARD. SMALLER HORSEPOWER OR SINGLE PHASE MOTORS ARE OPTIONAL AND AVAILABLE ON A SPECIAL ORDER BASIS FOR HIGH VOLUME APPLICATIONS.

#### OPTIONAL MOUNTING PLATE MP11



D1040MP11  
01607VFE

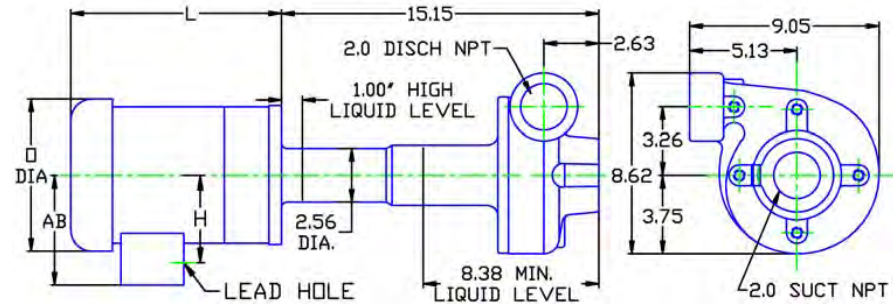
D017TCV143  
0171750

**17**  
TCV  
KVFE 17

017T175K  
81.001.776 M19

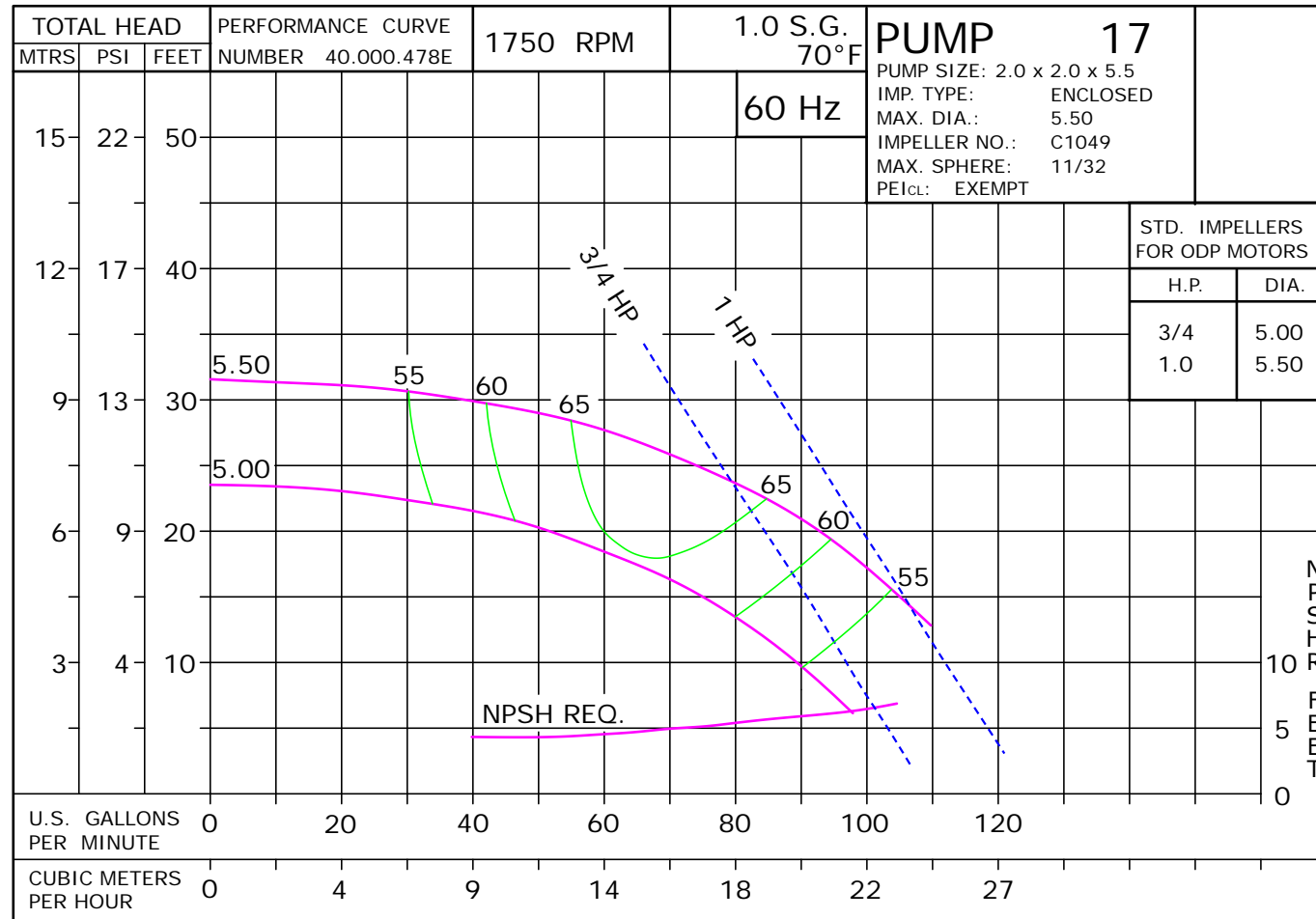
D017TCV143

DRAWING DEPICTS 143TCV 1 HP 3 PHASE TEFC MOTOR

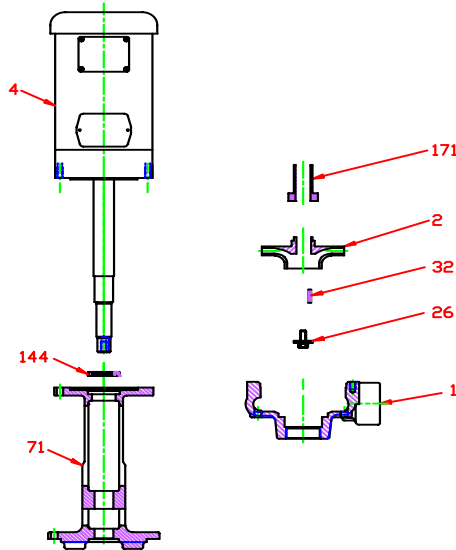


#### ALL DIMENSIONS IN INCHES.

DRAWING REPRESENTS APPROXIMATE PUMP DIMENSIONS. AUTOCAD DRAWING TO SCALE AVAILABLE FROM FACTORY.



**VFE 17 • Iron • TCV Frame • 1750 RPM**



KEY NO.	PART NAME	PUMP NO. 17
1	CASE, IRON, 2 x 2 NPT	130.000.168X
2	IMPELLER, 7/8" KEYED, ENCLOSED, SPECIFY DIAMETER: IRON	137.000.128
4	MOTOR, TCV140	See Chart
26*	IMPELLER RETAINER, STAINLESS	118.000.111A
32*	KEY, STAINLESS	102.000.102
71	ADAPTER, IRON	132.000.290
144*	LIP SEAL, BUNA	101.000.244
171*	THROTTLE BUSHING, STEEL	110.000.348
--	REPAIR KIT	118.000.545
	MOUNTING PLATE MP11: (not shown)	118.000.329
--	MOUNTING PLATE (2 REQ'D)	132.000.292
	CAP SCREW (2 REQ'D)	105.000.457
	WASHER (2 REQ'D)	137.000.697
	NUT (2 REQ'D)	105.000.122

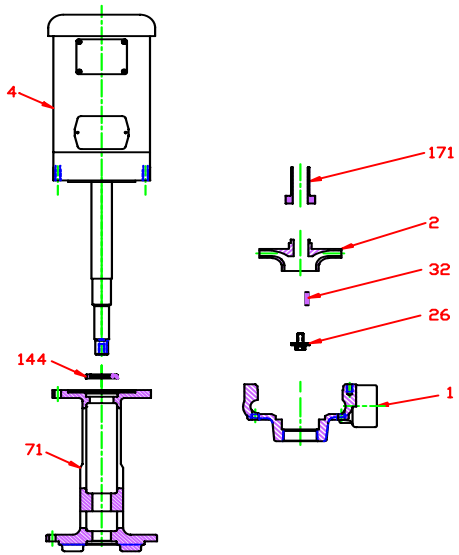
\* DENOTES COMPONENTS INCLUDED IN REPAIR KIT.

E017TCV

F15

P0171750TCV

**VFE 17 • Iron • TCV Frame • 1750 RPM**



CONSTRUCTION OPTIONS		
KEY NO.	PART NAME	CAST IRON
1	Case	Iron
2	Impeller	Iron
26	Impeller Retainer	Stainless
32	Key	Stainless
71	Adapter	Iron
144	Lip Seal	BUNA
171	Throttle Bushing	Steel
NS	Mounting Plate	Iron

E017TCV  
F15

C0171750TCV