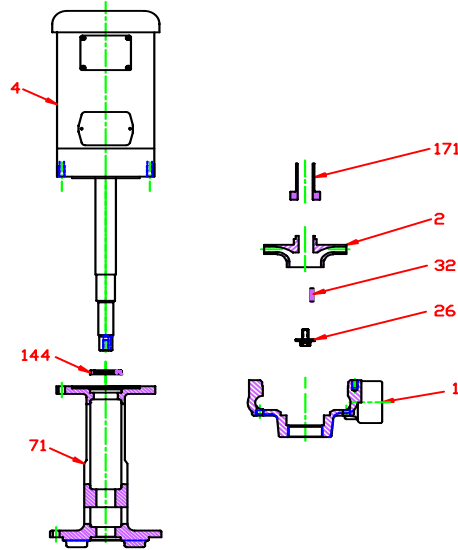


VFE 16 • Iron • TCV Frame • 1750 RPM



KEY NO.	PART NAME	PUMP NO. 16
1	CASE, IRON, 2 x 1.5 NPT	130.000.181X
2	IMPELLER, 7/8" KEYED ENCLOSED, SPECIFY DIAMETER: IRON	137.000.127
4	MOTOR, TCV140	See Chart
26*	IMPELLER RETAINER, STAINLESS	118.000.111A
32*	KEY, STAINLESS	102.000.102
71	ADAPTER, IRON	132.000.290
144*	LIP SEAL, BUNA	101.000.244
171*	THROTTLE BUSHING, STEEL	110.000.348
--	REPAIR KIT	118.000.545
	MOUNTING PLATE MP11: (not shown)	118.000.329
--	MOUNTING PLATE (2 REQ'D)	132.000.292
	CAP SCREW (2 REQ'D)	105.000.457
	WASHER (2 REQ'D)	137.000.697
	NUT (2 REQ'D)	105.000.122

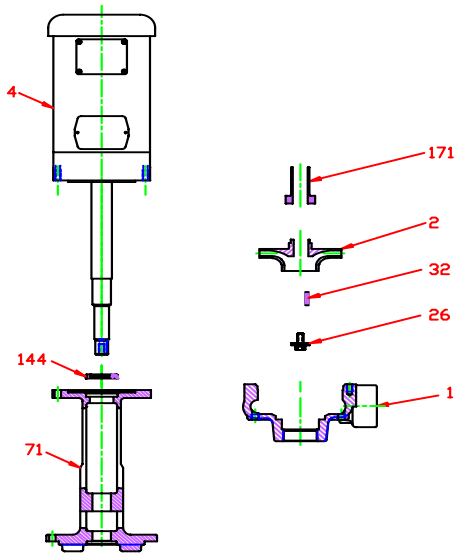
* DENOTES COMPONENTS INCLUDED IN REPAIR KIT.

E017TCV

F15

P0161750TCV

VFE 16 • Iron • TCV Frame • 1750 RPM



CONSTRUCTION OPTIONS		
KEY NO.	PART NAME	CAST IRON
1	Case	Iron
2	Impeller	Iron
26	Impeller Retainer	Stainless
32	Key	Stainless
71	Adapter	Iron
144	Lip Seal	BUNA
171	Throttle Bushing	Steel
NS	Mounting Plate	Iron

E017TCV
F15

C0161750TCV