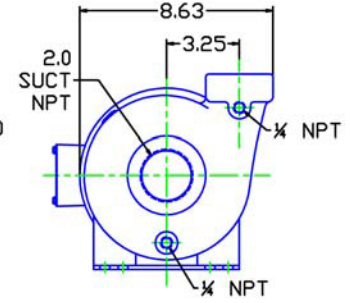
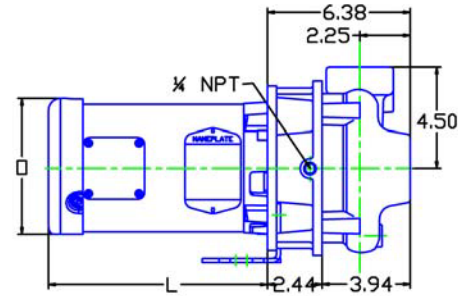
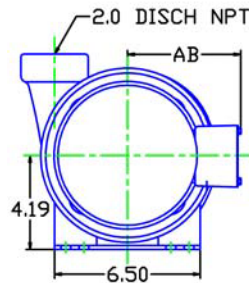


#### MOTOR DIMENSIONS NEMA C56 FRAME 1450 RPM

HP	FRAME	ODP			TEFC		
		L	O	AB	L	O	AB
.33	C56	9.92	6.45	3.23	9.48	7.25	5.88
.50	C56	10.32	6.45	3.23	9.87	7.25	5.88

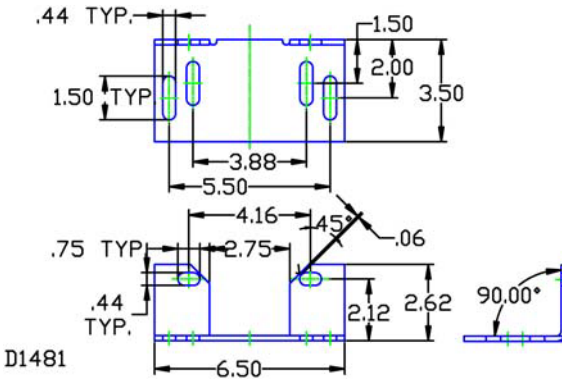
D017BC56\_PRINT

DRAWING DEPICTS 56C ODP MOTOR

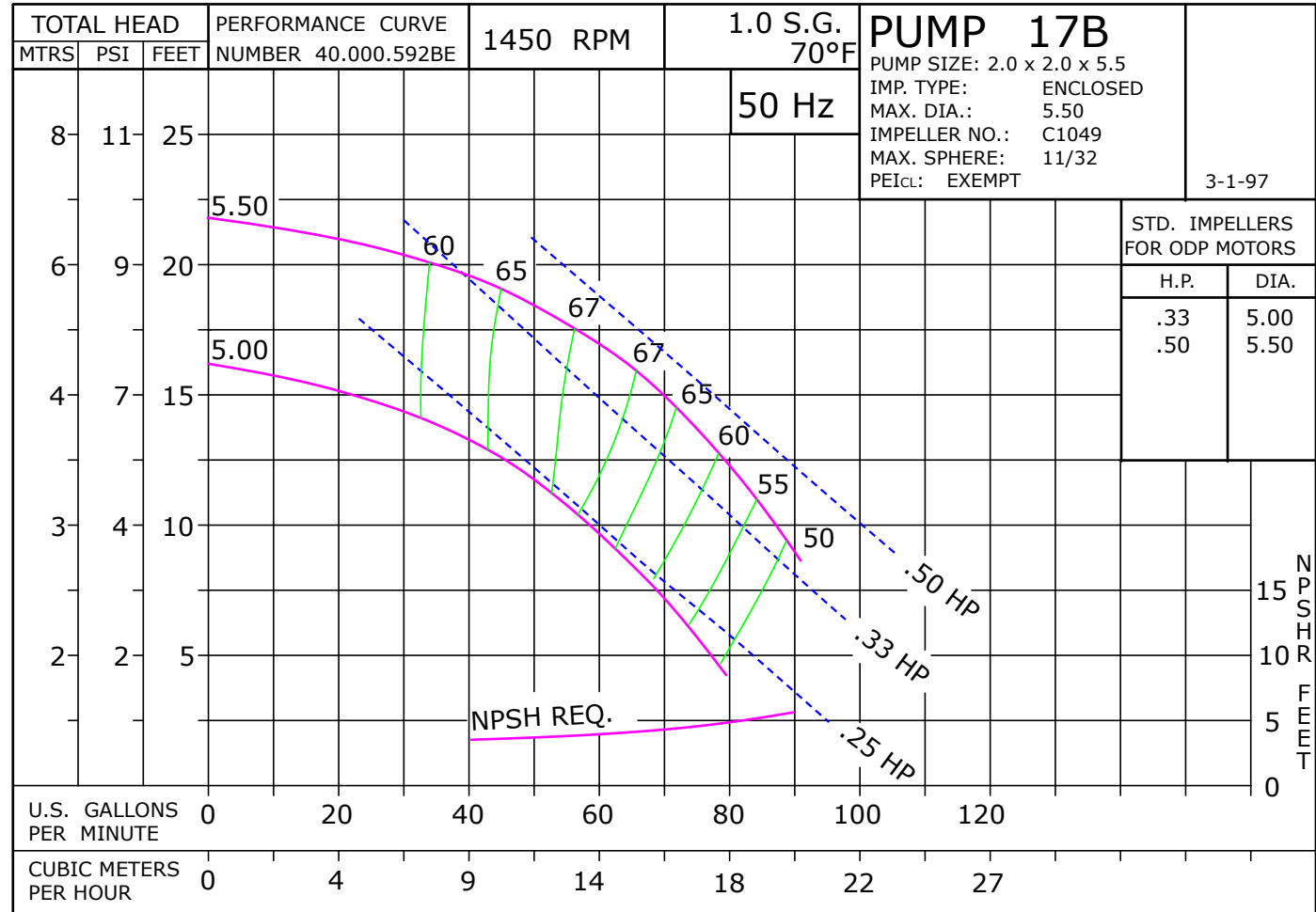
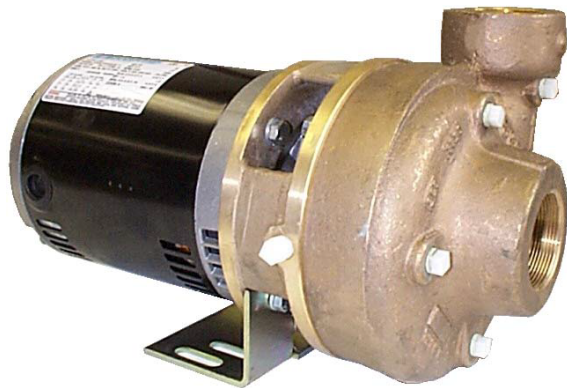


ALL DIMENSIONS IN INCHES.

DRAWING REPRESENTS APPROXIMATE PUMP DIMENSIONS. AUTOCAD DRAWINGS TO SCALE AVAILABLE FROM FACTORY



D1481



D1481 D017BC56  
017B07DP 0171450

# 17B

C56

017B1450C56  
81.001.761 M19