

# SCOT

## MOTORPUMP™ — 3500 RPM 60 HERTZ, 3 X 3 X 6.5 ANSI Flanged VWE 56F

# 56F

TCV  
VWE 56F

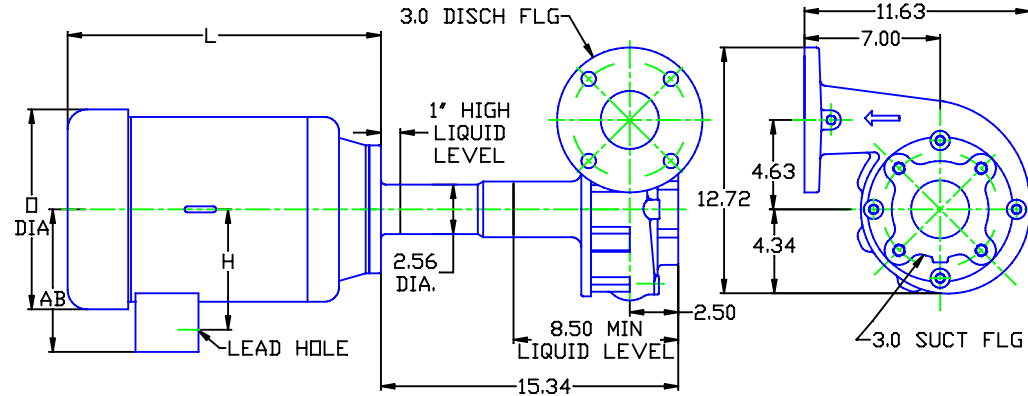
### MOTOR DIMENSIONS NEMA PREMIUM EFFICIENT TCV FRAME 3500 RPM TEFC

HP	Phase	Frame	L	AB	O	H
7.5	1	TCV215	16.16	7.46	10.34	6.23
7.5	3	TCV215	16.16	7.46	10.34	6.23
10	1	TCV215	17.23	8.68	10.22	7.45
10	3	TCV215	16.16	7.46	10.34	6.23
15	3	TCV215	18.79	7.46	10.34	6.23
20	3	TCV254	19.63	9.49	12.94	7.99
25	3	TCV256	19.63	9.49	12.94	7.99

Single phase motors are Standard Efficient  
30 HP motor is not available

D056FTCV215

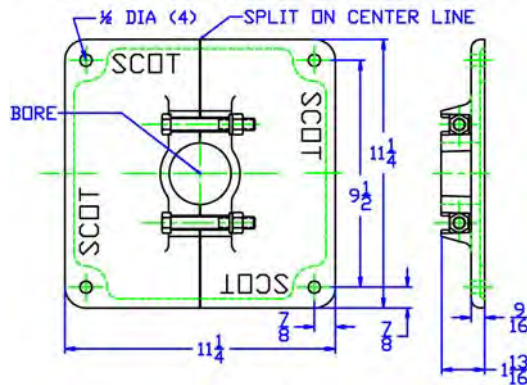
DRAWING DEPICTS 215TCV 10HP 3PHASE TEFC MOTOR



ALL DIMENSIONS IN INCHES.

DRAWING REPRESENTS APPROXIMATE PUMP DIMENSIONS. AUTOCAD DRAWING TO SCALE AVAILABLE FROM FACTORY.

### OPTIONAL MOUNTING PLATE MP11



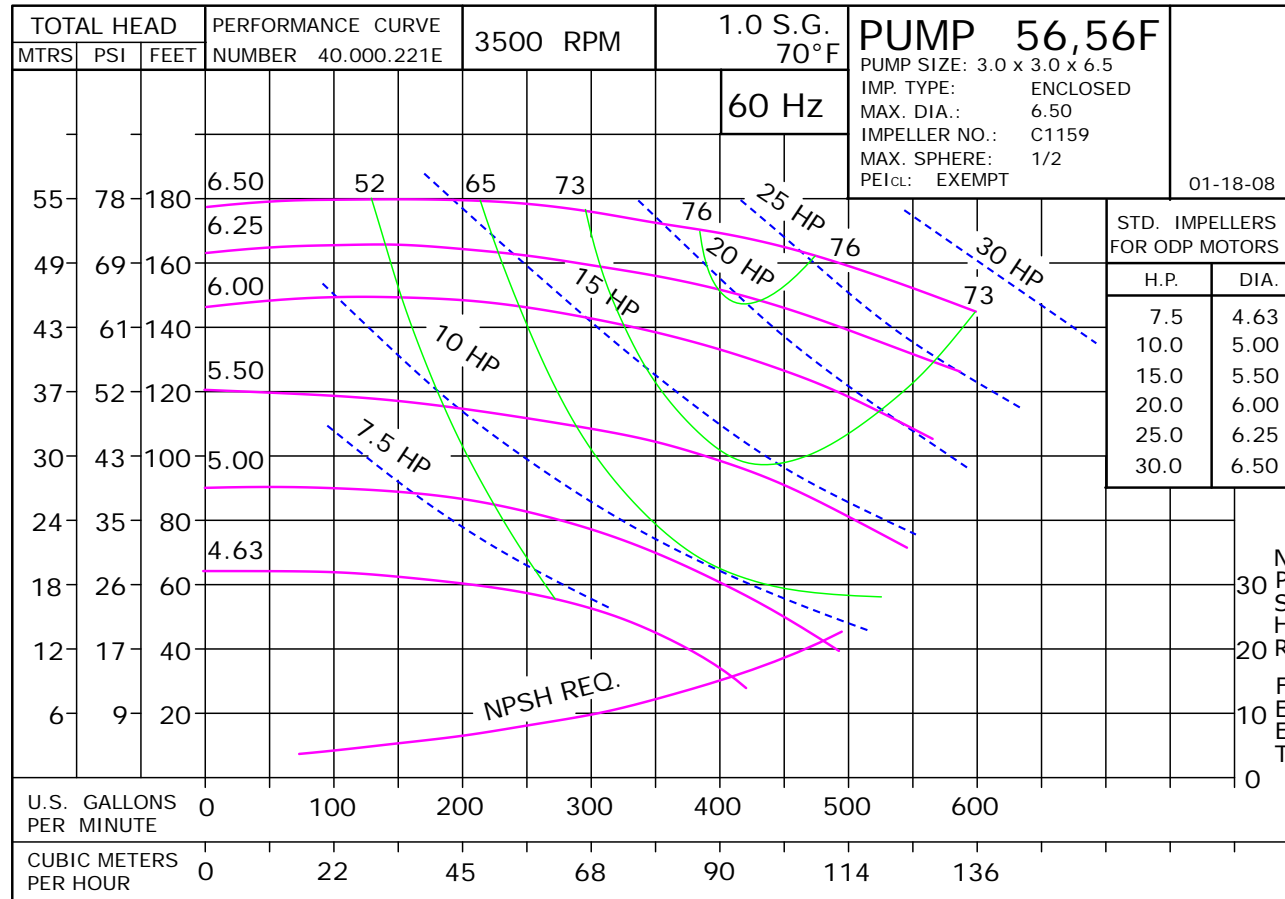
D1040  
056FVWE

D054FTCV215  
0563500

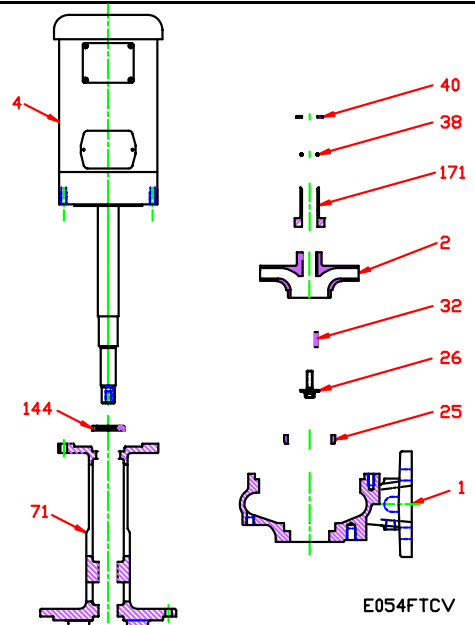
# 56F

TCV  
VWE 56F

056F3500TCV  
81.001.188 M19



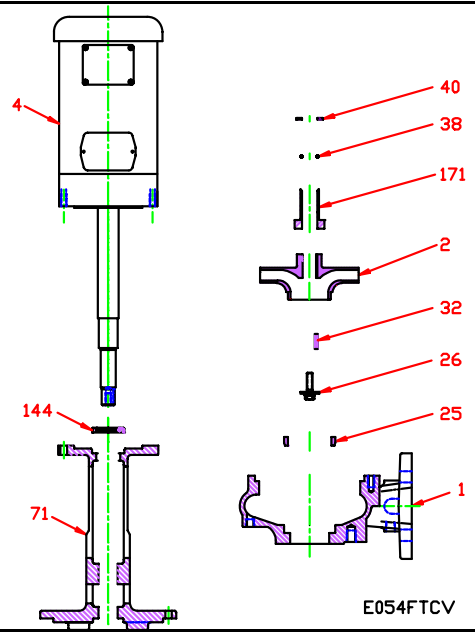
**VWE 56F • Iron • TCV Frame • 3500 RPM**



KEY NO.	PART NAME	SPEC SERIES‡	
		3190 OLD STYLE	3435 PRESENT STYLE
1+	CASE, IRON, 3 x 3 FLG	130.000.185X1	
2	IMPELLER, 7/8" KEYED ENCLOSED, SPECIFY DIAMETER: IRON	131.000.809	
4	MOTOR, TCV140	See Chart	
25	WEAR RING, STEEL	103.000.152	
26*	IMPELLER RETAINER, STAINLESS	† 118.000.163A	
32*	KEY, STAINLESS	† 102.000.102	
38*	O-RING, SHAFT, VITON	--	† 116.000.105
40*	FLINGER, STAINLESS	--	† 104.000.165A
71	ADAPTER, IRON	132.000.291	† 132.000.291B
144*	LIP SEAL, BUNA	101.000.244	
171*	THROTTLE BUSHING, STEEL	110.000.348	† 110.000.348C
--	REPAIR KIT	118.000.546	118.000.628
--	RETROFIT KIT CONVERTS OLD STYLE TO PRESENT	--	118.000.625
--	MOUNTING PLATE MP11: (not shown)	118.000.329	
	MOUNTING PLATE (2 REQ'D)	132.000.292	
	CAP SCREW (2 REQ'D)	105.000.457	
	WASHER (2 REQ'D)	137.000.697	
	NUT (2 REQ'D)	105.000.122	

\* DENOTES COMPONENTS INCLUDED IN REPAIR KIT.  
 + INCLUDES STEEL WEAR RING.  
 † DENOTES ITEMS INCLUDED IN RETROFIT KIT.  
 ‡ SPEC SERIES 3190 WAS MANUFACTURED FROM 1984 THROUGH 01/13/04.  
 SPEC SERIES 3435 IS THE CURRENT CONSTRUCTION AS OF 01/14/04.

**VWE 56F • Iron • TCV Frame • 3500 RPM**



<b>CONSTRUCTION OPTIONS</b>		
<b>KEY NO.</b>	<b>PART NAME</b>	<b>CAST IRON</b>
1	Case	Iron
2	Impeller	Iron
25	Wear Ring	Steel
26	Impeller Retaining Assembly	Stainless
32	Key	Stainless
38	O-ring, Shaft	Viton
40	Flinger	Stainless
71	Adapter	Iron
144	Lip Seal	BUNA
171	Throttle Bushing	Steel
NS	Mounting Plate MP11: (not shown)	Iron

E054FTCV

E15

C056F3500TCV