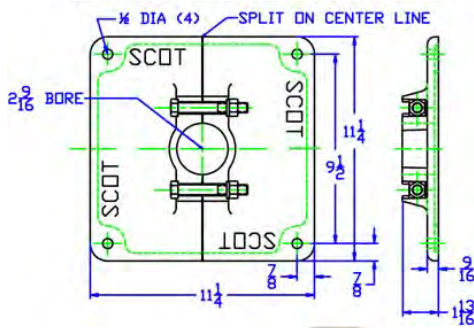


MOTOR DIMENSIONS NEMA PREMIUM EFFICIENT TCV FRAME 3500 RPM TEFC

HP	Phase	Frame	L	AB	O	H
3.0	1	TCV145	12.27	5.74	7.19	4.63
3.0	3	TCV145	14.51	5.25	7.19	4.18
5.0	1	TCV184	15.92	6.00	8.54	4.94
5.0	3	TCV184	15.83	6.00	8.60	4.94
7.5	1	TCV215	16.16	7.46	10.34	6.23
7.5	3	TCV215	16.16	7.46	10.34	6.23

Single phase motors are Standard Efficient

OPTIONAL MOUNTING PLATE MP11

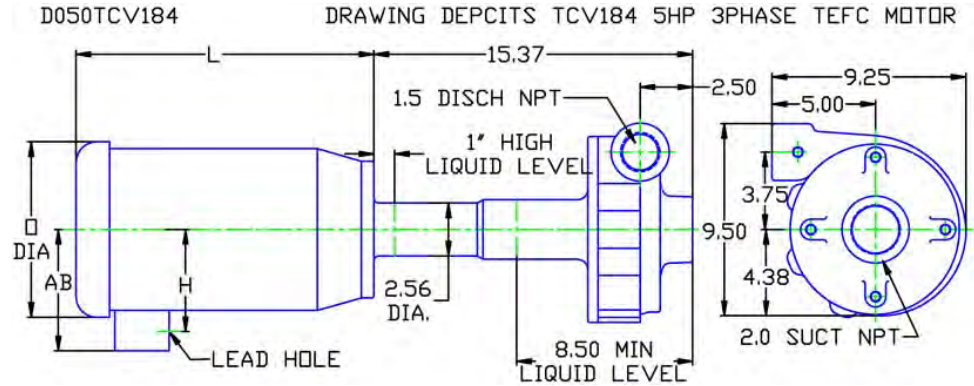


D1040
05010VWE

**50
TCV
VWE 50**

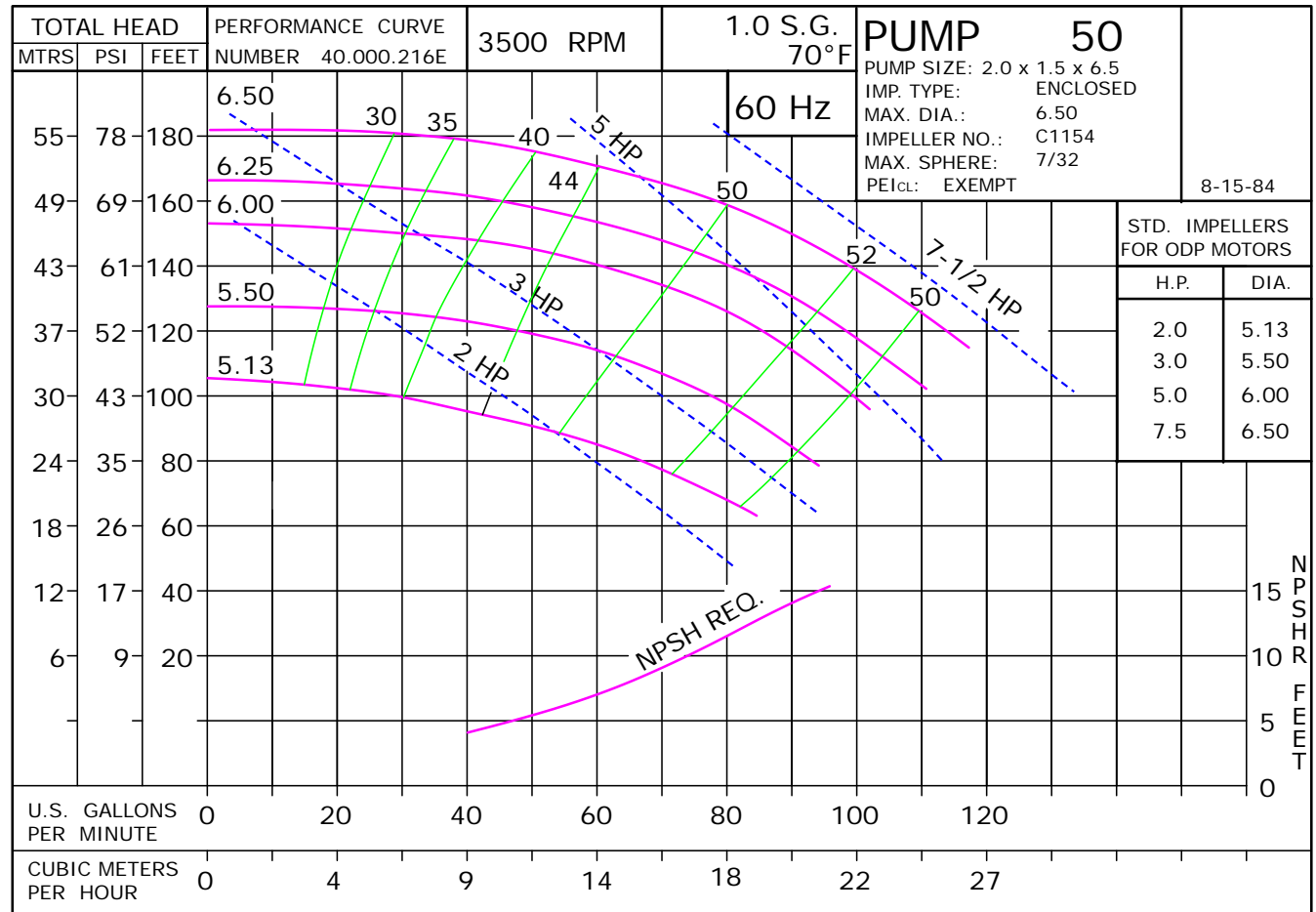
D050TCV184
0503500

0503500TCV
81.001.181 M19

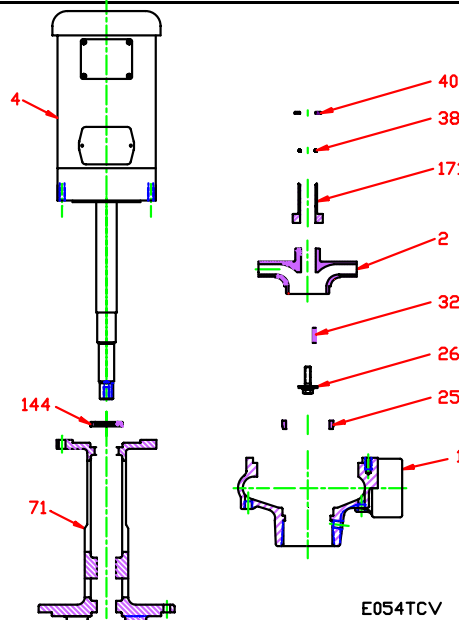


ALL DIMENSIONS IN INCHES.

DRAWING REPRESENTS APPROXIMATE PUMP DIMENSIONS. AUTOCAD DRAWING TO SCALE AVAILABLE FROM FACTORY.



VWE 50 • Iron • TCV Frame • 3500 RPM



KEY NO.	PART NAME	SPEC SERIES‡	
		3190 OLD STYLE	3435 PRESENT STYLE
1+	CASE, IRON, 2 x 1.5 NPT	130.000.257X1	
2	IMPELLER, 7/8" KEYED ENCLOSED, SPECIFY DIAMETER: IRON	131.000.832	
4	MOTOR, TCV140	See Chart	
25	WEAR RING, STEEL	103.000.155	
26*	IMPELLER RETAINER, STAINLESS	† 118.000.163A	
32*	KEY, STAINLESS	† 102.000.102	
38*	O-RING, SHAFT, VITON	--	† 116.000.105
40*	FLINGER, STAINLESS	--	† 104.000.165A
71	ADAPTER, IRON	132.000.291	† 132.000.291B
144*	LIP SEAL	101.000.244	
171*	THROTTLE BUSHING, STEEL	110.000.348	† 110.000.348C
--	REPAIR KIT	118.000.546	118.000.628
--	RETROFIT KIT CONVERTS OLD STYLE TO PRESENT	--	118.000.625
--	MOUNTING PLATE MP11: (not shown)	118.000.329	
	MOUNTING PLATE (2 REQ'D)	132.000.292	
	CAP SCREW (2 REQ'D)	105.000.457	
	WASHER (2 REQ'D)	137.000.697	
	NUT (2 REQ'D)	105.000.122	

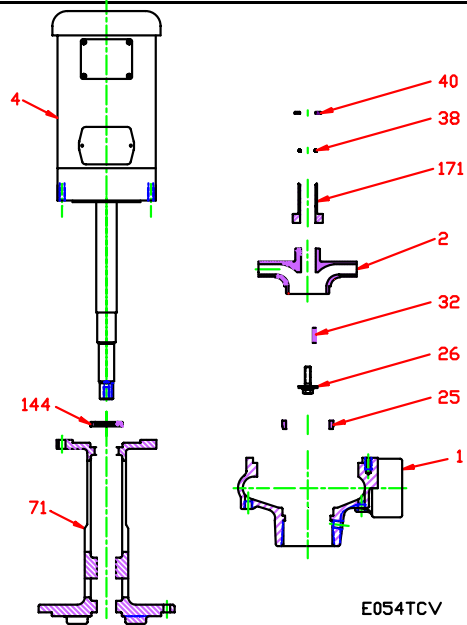
* DENOTES COMPONENTS INCLUDED IN REPAIR KIT.
 + INCLUDES STEEL WEAR RING.
 † DENOTES ITEMS INCLUDED IN RETROFIT KIT.
 ‡ SPEC SERIES 3190 WAS MANUFACTURED FROM 1984 THROUGH 01/13/04.
 SPEC SERIES 3435 IS THE CURRENT CONSTRUCTION AS OF 01/14/04.

E054TCV

M12

P0503500TCV

VWE 50 • Iron • TCV Frame • 3500 RPM



E054TCV

CONSTRUCTION OPTIONS		
KEY	PART NAME	CAST IRON
1	Case	Iron
2	Impeller	Iron
25	Wear Ring	Steel
26	Impeller Retaining Assembly	Stainless
32	Key	Stainless
38	O-ring, Shaft	Viton
40	Flinger	Stainless
71	Adapter	Iron
144	Lip Seal	BUNA
171	Throttle Bushing	Steel
NS	Mounting Plate MP11: (not shown)	Iron

E054TCV

E15

C0503500TCV