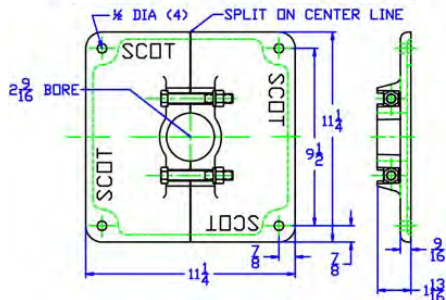


MOTOR DIMENSIONS
NEMA PREMIUM EFFICIENT TCV FRAME 3500 RPM TEFC

HP	Phase	Frame	L	AB	O	H
3.0	1	TCV145	12.27	5.74	7.19	4.63
3.0	3	TCV145	14.51	5.25	7.19	4.18
5.0	1	TCV184	15.92	6.00	8.54	4.94
5.0	3	TCV184	15.83	6.00	8.60	4.94
7.5	1	TCV215	16.16	7.46	10.34	6.23
7.5	3	TCV215	16.16	7.46	10.34	6.23
10	1	TCV215	17.23	8.68	10.22	7.45
10	3	TCV215	16.16	7.46	10.34	6.23
15	3	TCV215	18.79	7.46	10.34	6.23

Single phase motors are Standard Efficient

OPTIONAL MOUNTING PLATE MP11



D1040
02507VFE

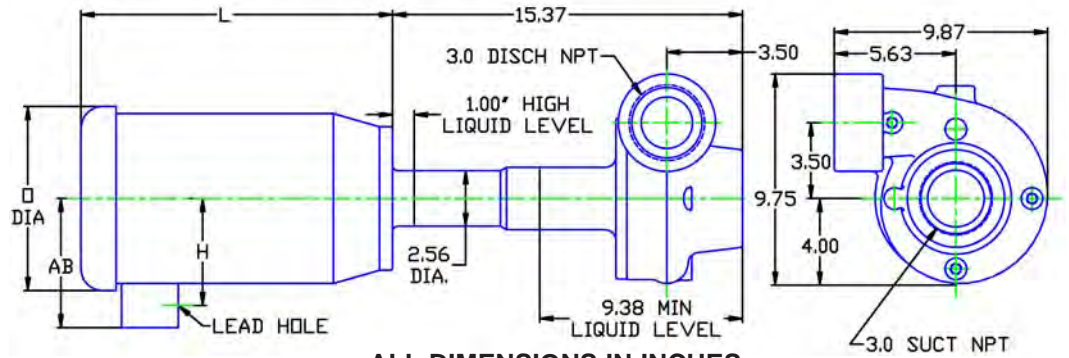
D025TCV184
0253500

25
TCV
VFE 25

0253500TCV
81.001.180 M19

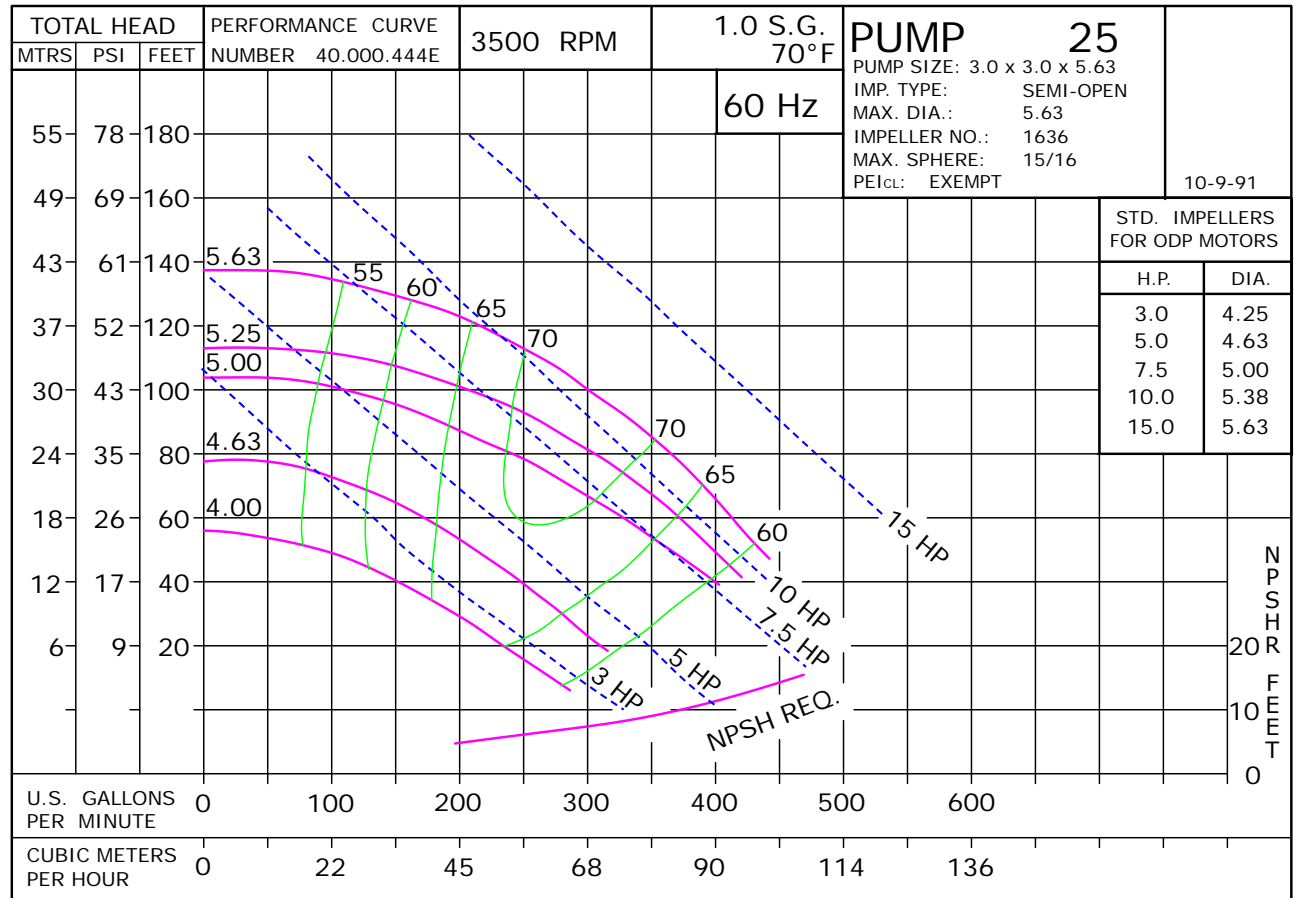
D025TCV184

DRAWING DEPICTS 184TCV 5HP 3PHASE TEFC MOTOR

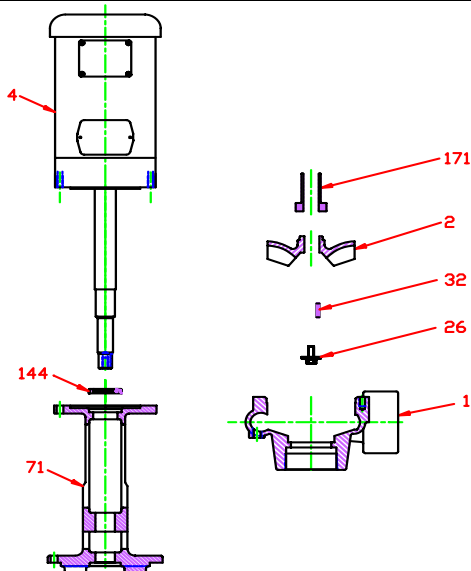


ALL DIMENSIONS IN INCHES.

DRAWING REPRESENTS APPROXIMATE PUMP DIMENSIONS. AUTOCAD DRAWING TO SCALE AVAILABLE FROM FACTORY.



VFE 25 • Iron • TCV Frame • 3500 RPM



KEY NO.	PART NAME	PUMP NO. 25
1	CASE, IRON, 3 x 3 NPT	130.000.224X1
2	IMPELLER, 7/8" KEYED, SEMI-OPEN, SPECIFY DIAMETER: IRON	137.000.342
4	MOTOR, TCV140	See 60HZ Chart
26*	IMPELLER RETAINER, STAINLESS	118.000.111A
32*	KEY, STAINLESS	102.000.102
71	ADAPTER, IRON	132.000.290
144*	LIP SEAL, BUNA	101.000.244
171*	THROTTLE BUSHING, STEEL	110.000.348
--	REPAIR KIT	118.000.545
	MOUNTING PLATE MP11: (not shown)	118.000.329
	MOUNTING PLATE (2 REQ'D)	132.000.292
--	CAP SCREW (2 REQ'D)	105.000.457
	WASHER (2 REQ'D)	137.000.697
	NUT (2 REQ'D)	105.000.122

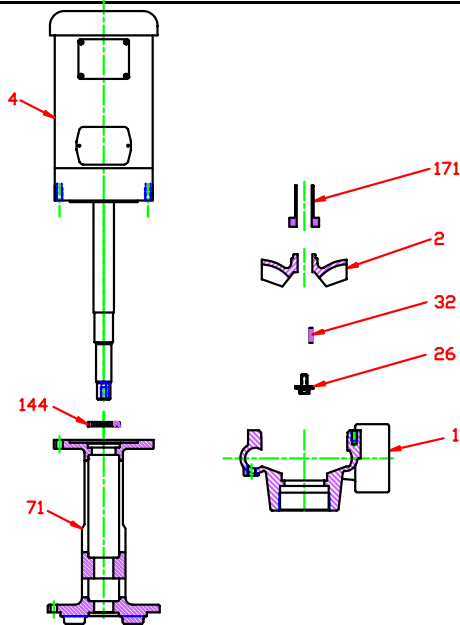
* DENOTES COMPONENTS INCLUDED IN REPAIR KIT.

E025TCV

C16

P0253500TCV

VFE 25 • Iron • TCV Frame • 3500 RPM



KEY NO.	PART NAME	CAST IRON
1	CASE	IRON
2	IMPELLER	IRON
26	IMPELLER RETAINER	STAINLESS
32	KEY	STAINLESS
71	ADAPTER	IRON
144	LIP SEAL	BUNA
171	THROTTLE BUSHING	STEEL
NS	MOUNTING PLATE MP11: (not shown)	IRON

E025TCV

E15

C0253500TCV