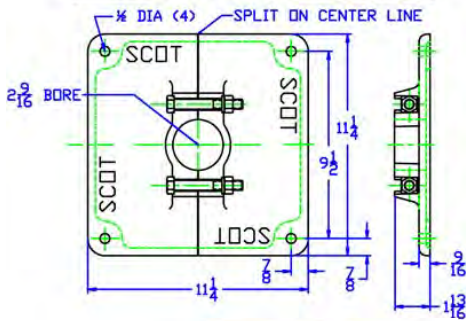


### MOTOR DIMENSIONS NEMA TCV FRAME 3500 RPM TEFC

HP	PHASE	FRAME	L	AB	O	H
3.0	3	TCV145	13.15	7.19	5.25	4.18
3.0	1	TCV145	14.39	8.50	5.88	4.94
5.0	3	TCV184	14.41	8.50	5.97	4.44
5.0	1	TCV184	14.39	8.50	5.88	4.94
7.5	3	TCV215	16.16	10.24	7.46	6.23
7.5	1	TCV215	16.13	10.34	7.38	6.23
10	3	TCV215	16.16	10.34	7.38	6.23
10	1	TCV215	17.25	10.34	8.34	--
15	3	TCV215	17.19	10.34	7.38	6.23

#### OPTIONAL MOUNTING PLATE MP11



D1040  
015S10VF

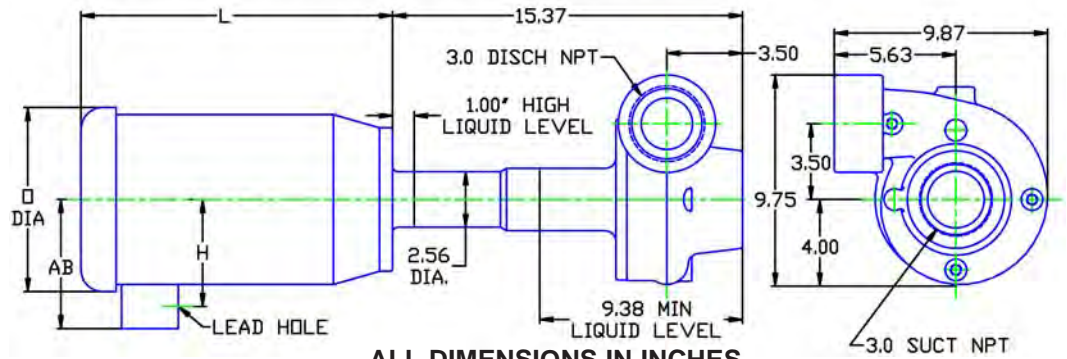
D025TCV  
0253500

**25S**  
TCV  
VFE 25S

025S3500TCV  
81.002.108 M19

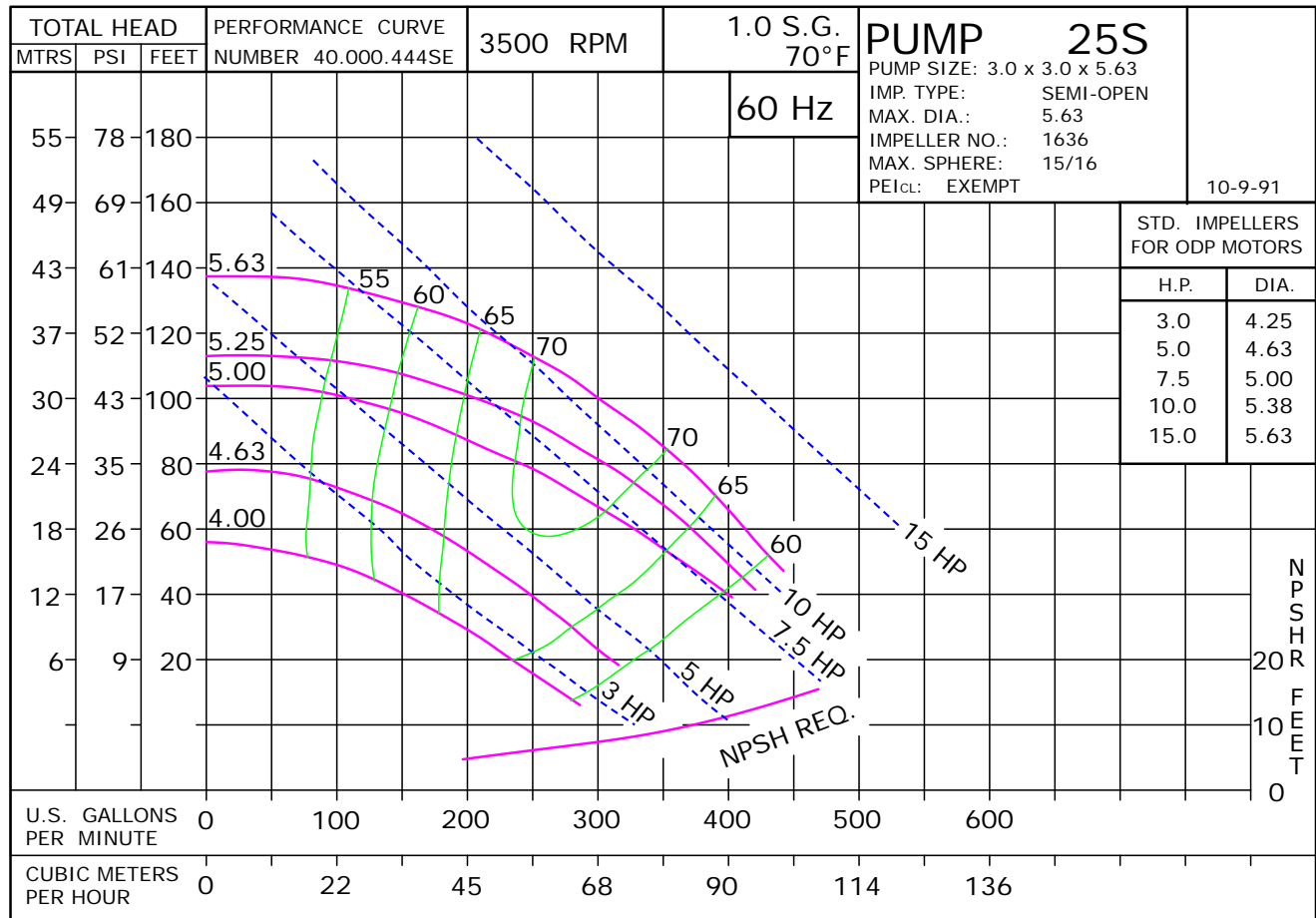
D025TCV184

DRAWING DEPICTS 184TCV 5HP 3PHASE TEFC MOTOR

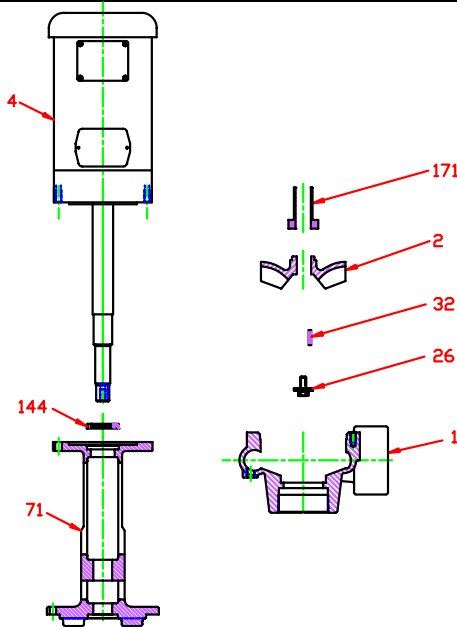


**ALL DIMENSIONS IN INCHES.**

DRAWING REPRESENTS APPROXIMATE PUMP DIMENSIONS. AUTOCAD DRAWING TO SCALE AVAILABLE FROM FACTORY.



**VFE 25S • 316SS • TCV Frame • 3500 RPM**



KEY NO.	PART NAME	PUMP NO. 25S
1	CASE, 316SS, 3 x 3 NPT	130.000.336X
2	IMPELLER, 7/8" KEYED, SEMI-OPEN, SPECIFY DIAMETER: 316SS	137.000.869
4	MOTOR, TCV140	See Chart
26*	IMPELLER RETAINER, 316SS	118.000.111C
32*	KEY, 316SS	102.000.218
71	ADAPTER, 316SS	137.000.844
144*	LIP SEAL, BUNA	101.000.244
171*	THROTTLE BUSHING, 316SS	137.000.845
--	REPAIR KIT	118.000.564
	MOUNTING PLATE MP11S: (not shown)	118.000.554
--	MOUNTING PLATE, 316SS (2 REQ'D)	137.000.846
	CAP SCREW (2 REQ'D)	137.000.853
	WASHER (2 REQ'D)	137.000.854
	NUT (2 REQ'D)	105.000.251

\* DENOTES COMPONENTS INCLUDED IN REPAIR KIT.

E025TCV

A13

P025S3500TCV