

SCOT

MOTORPUMP™ — 3500 RPM 60 HERTZ, 2 X 1.5 X 5.5 NPT VFE 19GS

19GS

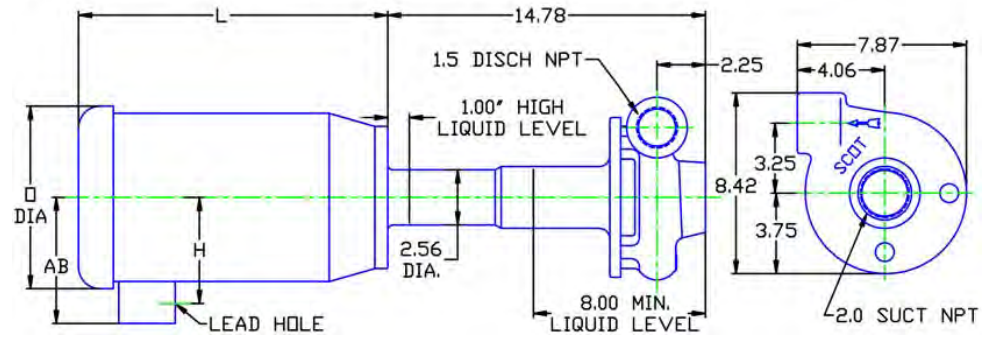
TCV
VFE 19GS

MOTOR DIMENSIONS NEMA TCV FRAME 3500 RPM TEFC

HP	PHASE	FRAME	L	AB	O	H
2.0	3	TCV145	12.28	7.19	5.25	4.18
2.0	1	TCV145	13.15	7.19	5.25	4.18
3.0	3	TCV145	13.15	7.19	5.25	4.18
3.0	1	TCV145	14.39	8.50	5.88	4.94
5.0	3	TCV184	14.41	8.50	5.97	4.44
5.0	1	TCV184	14.39	8.50	5.88	4.94
7.5	3	TCV215	16.16	10.24	7.46	6.23
7.5	1	TCV215	16.13	10.34	7.38	6.23

D019GTCV184

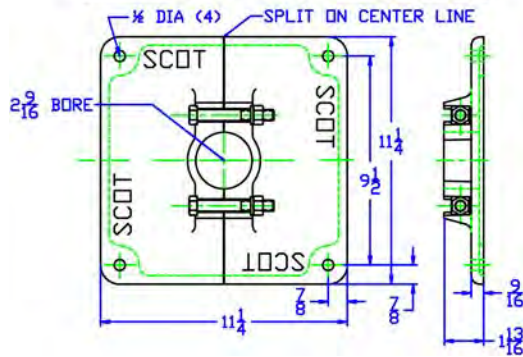
DRAWING DEPICTS 184TCV 5HP 3PHASE TEFC MOTOR



ALL DIMENSIONS IN INCHES.

DRAWING REPRESENTS APPROXIMATE PUMP DIMENSIONS. AUTOCAD DRAWING TO SCALE AVAILABLE FROM FACTORY.

OPTIONAL MOUNTING PLATE MP11



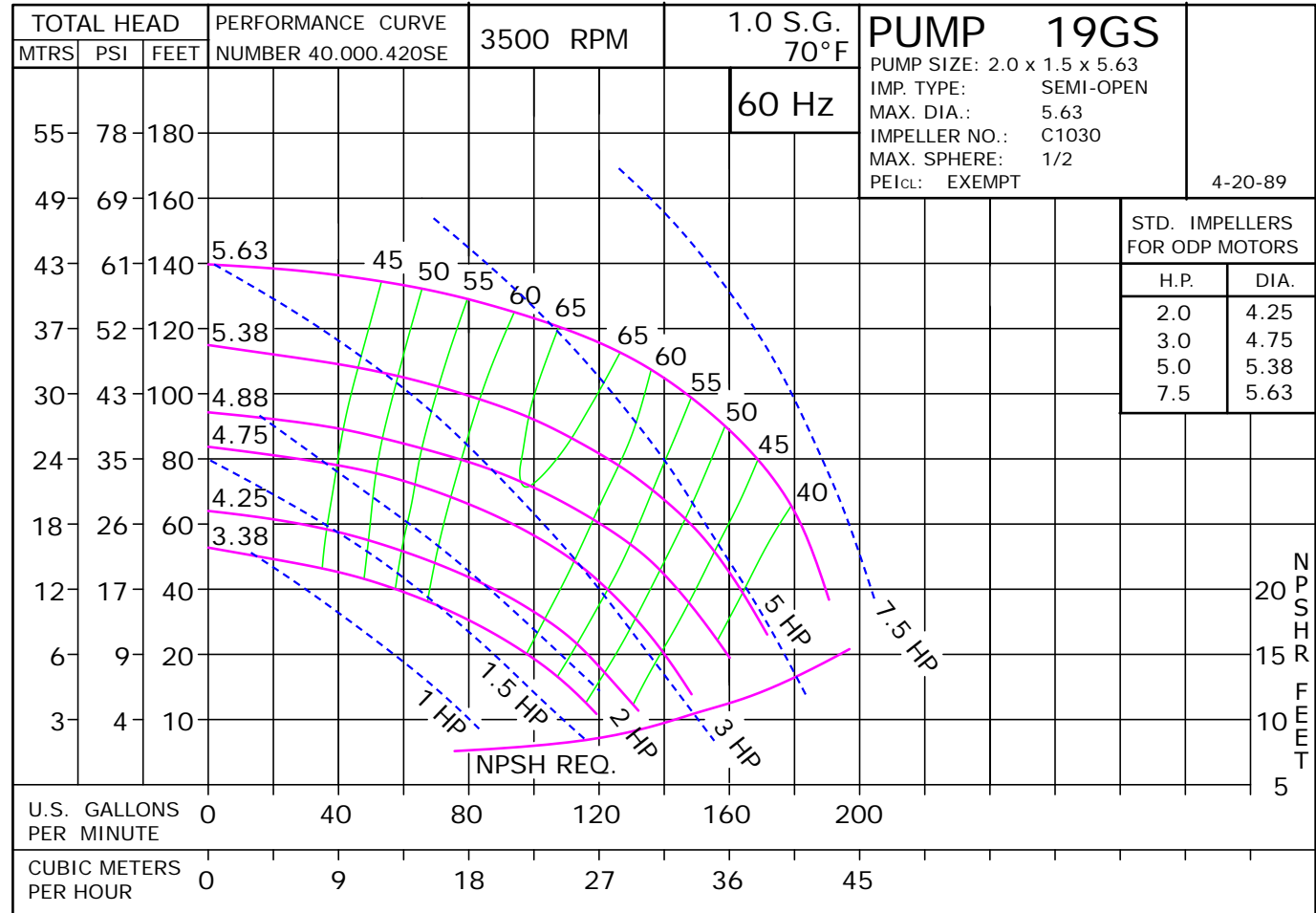
D1040
019GSVFE

D019GTCV184
019G3500

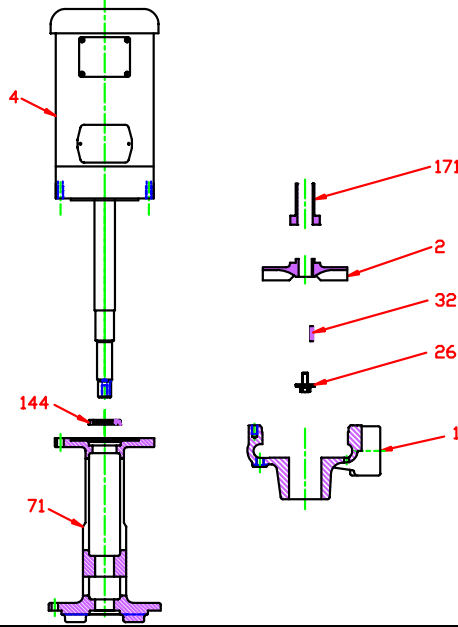
19GS

TCV
VFE 19GS

019GS3500TCV
81.002.102 M19



VFE 19GS • 316SS • TCV Frame • 3500 RPM



KEY NO.	PART NAME	PUMP NO. 19GS
1	CASE, 316SS, 2 x 1.5 NPT	137.000.841X
2	IMPELLER, 7/8" KEYED, SEMI-OPEN, SPECIFY DIAMETER: 316SS	131.000.782
4	MOTOR, TCV140	See Chart
26*	IMPELLER RETAINER, 316SS	118.000.111C
32*	KEY, 316SS	102.000.218
71	ADAPTER, 316SS	137.000.844
144*	LIP SEAL, BUNA	101.000.244
171*	THROTTLE BUSHING, 316SS	137.000.845
--	REPAIR KIT	118.000.564
	MOUNTING PLATE MP11S: (not shown)	118.000.554
	MOUNTING PLATE, 316SS (2 REQ'D)	137.000.846
	CAP SCREW (2 REQ'D)	137.000.853
	WASHER (2 REQ'D)	137.000.854
	NUT (2 REQ'D)	105.000.251

* DENOTES COMPONENTS INCLUDED IN REPAIR KIT.

E019GTCV

A13

P019GS3500TCV