

SCOT

MOTORPUMP™ — 3500 RPM 60 HERTZ, 2 x 1.5 x 5.5 NPT VFE 19GNS

19GNS

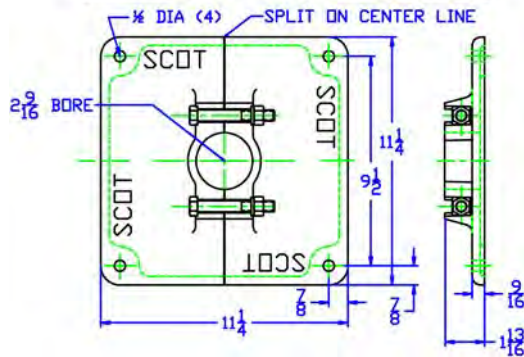
TCV
VFE 19GNS

MOTOR DIMENSIONS NEMA TCV FRAME 3500 RPM TEFC

HP	PHASE	FRAME	L	AB	O	H
2.0	3	TCV145	12.28	7.19	5.25	4.18
2.0	1	TCV145	13.15	7.19	5.25	4.18
3.0	3	TCV145	13.15	7.19	5.25	4.18
3.0	1	TCV145	14.39	8.50	5.88	4.94
5.0	3	TCV184	14.41	8.50	5.97	4.44
5.0	1	TCV184	14.39	8.50	5.88	4.94

1.5 HP motor is not available

OPTIONAL MOUNTING PLATE MP11



D1040
019GSVFE

D019GNTCV184
019N3500

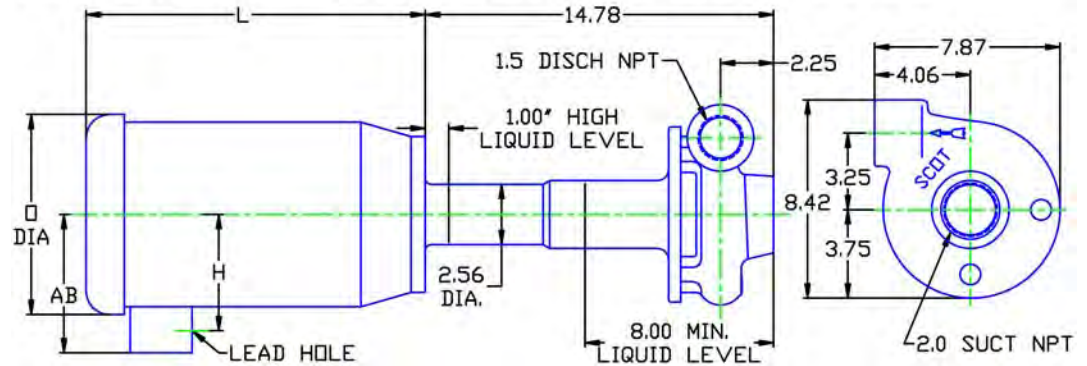
19GNS

TCV
VFE 19GNS

019GNS3500TCV
081.002.104 M19

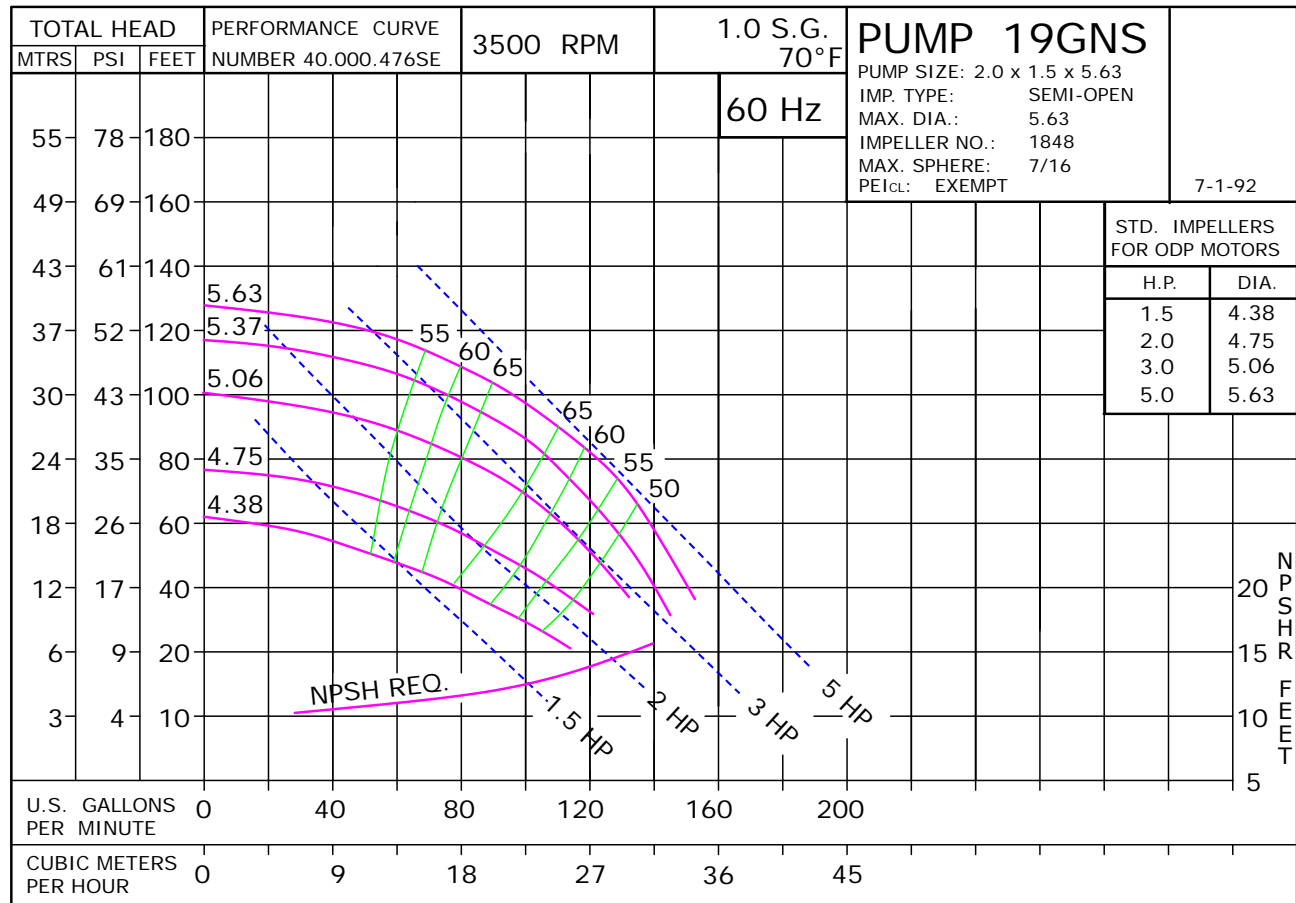
D019GNTCV184

DRAWING DEPICTS 184TCV 5HP 3PHASE TEFC MOTOR

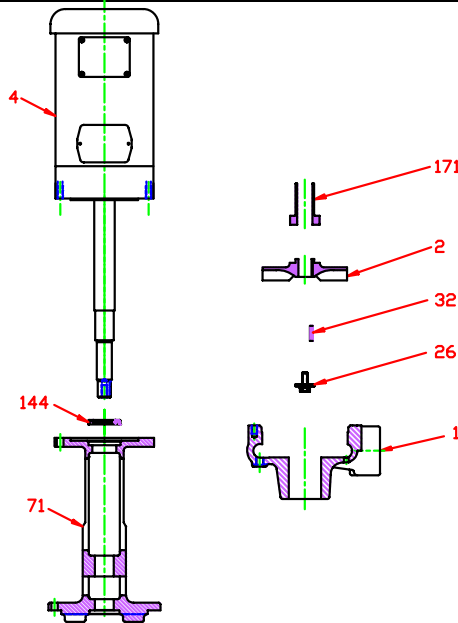


ALL DIMENSIONS IN INCHES.

DRAWING REPRESENTS APPROXIMATE PUMP DIMENSIONS. AUTOCAD DRAWING TO SCALE AVAILABLE FROM FACTORY.



VFE 19GNS • 316SS • TCV Frame • 3500 RPM



KEY NO.	PART NAME	PUMP NO. 19GNS
1	CASE, 316SS, 2 x 1.5 NPT	137.000.841X
2	IMPELLER, 7/8" KEYED, SEMI-OPEN, SPECIFY DIAMETER: 316SS	137.000.842
4	MOTOR, TCV140	See Chart
26*	IMPELLER RETAINER, 316SS	118.000.111C
32*	KEY, 316SS	102.000.218
71	ADAPTER, 316SS	137.000.844
144*	LIP SEAL, BUNA	101.000.244
171*	THROTTLE BUSHING, 316SS	137.000.845
--	REPAIR KIT	118.000.564
	MOUNTING PLATE MP11S: (not shown)	118.000.554
--	MOUNTING PLATE, 316SS (2 REQ'D)	137.000.846
	CAP SCREW (2 REQ'D)	137.000.853
	WASHER (2 REQ'D)	137.000.854
	NUT (2 REQ'D)	105.000.251

* DENOTES COMPONENTS INCLUDED IN REPAIR KIT.

E019GTCV

A13

P019GNS3500TCV