

SCOT

MOTORPUMP™ — 3500 RPM 60 HERTZ, 2 x 1.5 x 5.5 NPT VFE 19GN

19GN

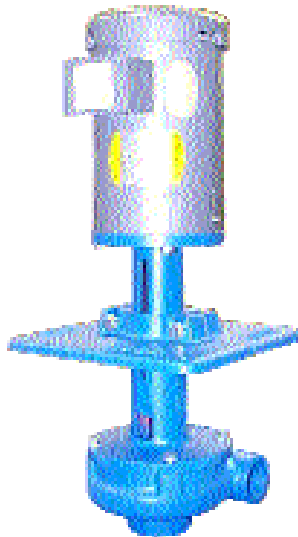
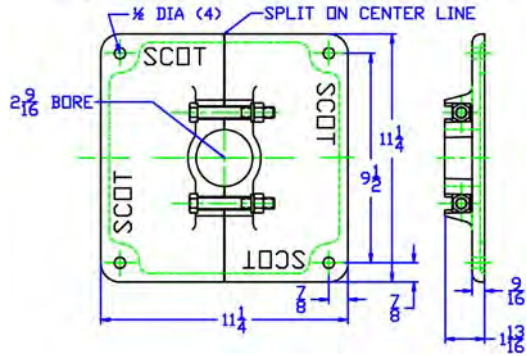
TCV
VFE 19GN

MOTOR DIMENSIONS NEMA PREMIUM EFFICIENT TCV FRAME 3500 RPM TEFC

HP	Phase	Frame	L	AB	O	H
2.0	1	TCV145	12.27	5.74	7.19	4.63
2.0	3	TCV145	13.15	5.25	7.19	4.18
3.0	1	TCV145	12.27	5.74	7.19	4.63
3.0	3	TCV145	14.51	5.25	7.19	4.18
5.0	1	TCV184	15.92	6.00	8.54	4.94
5.0	3	TCV184	15.83	6.00	8.60	4.94

Single phase motors are Standard Efficient
1.5 HP motor is not available

OPTIONAL MOUNTING PLATE MP11



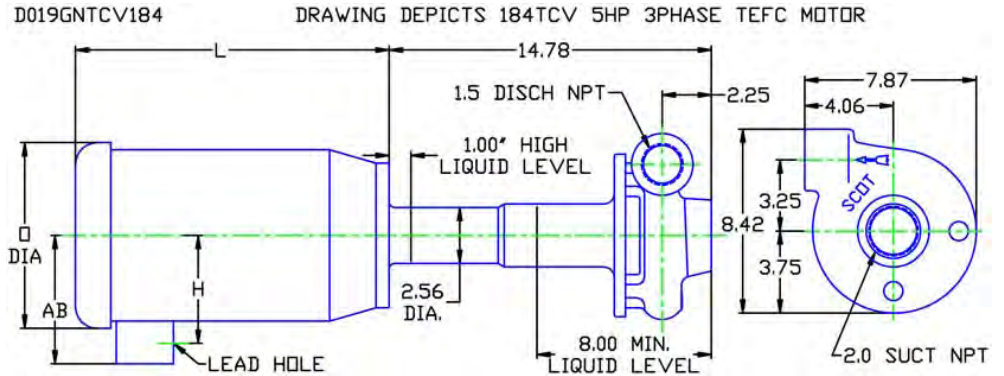
D1040
019G07VFE

D019GNTCV184
019N3500

19GN

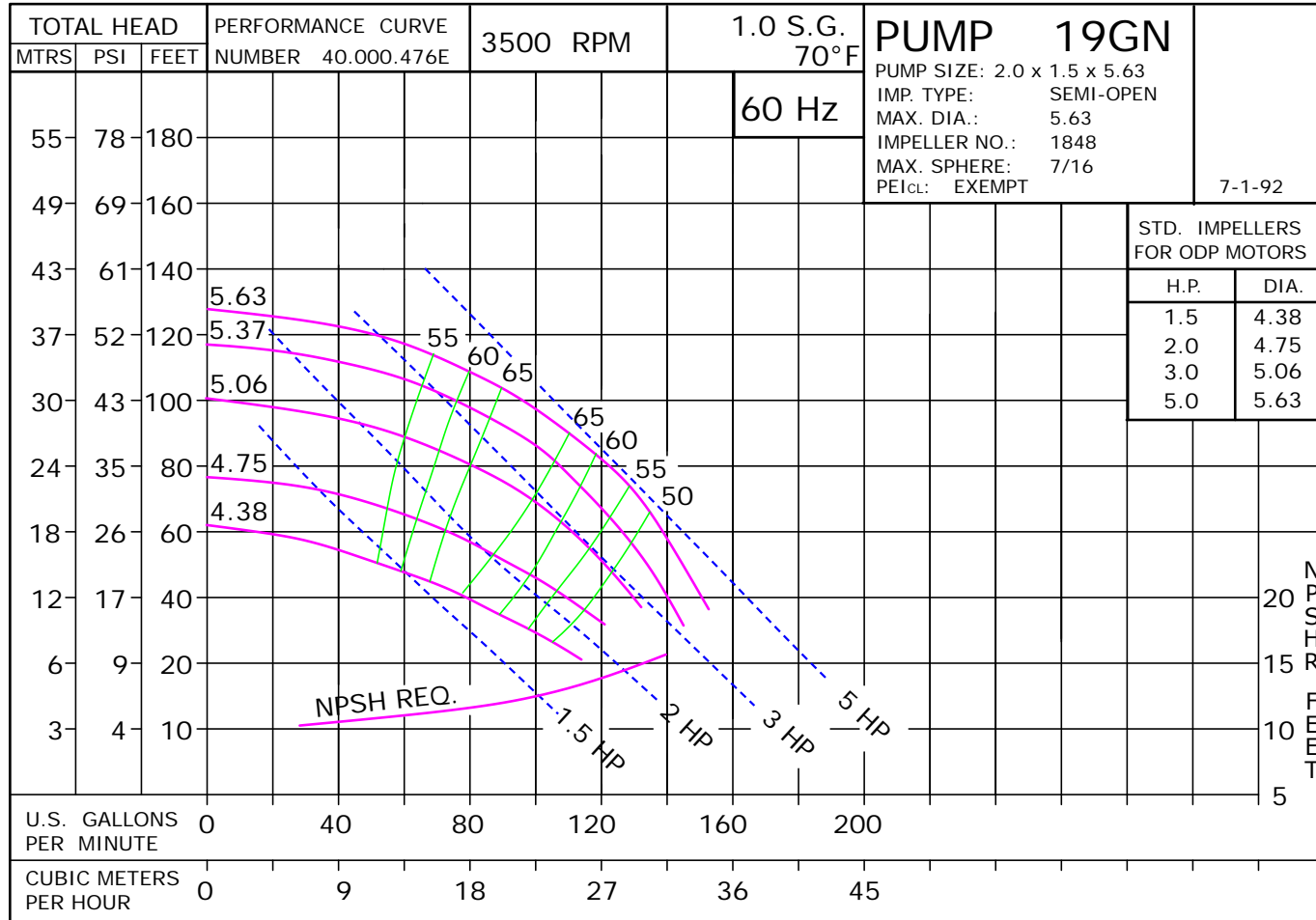
TCV
VFE 19GN

019GN3500TCV
081.001.179 M19

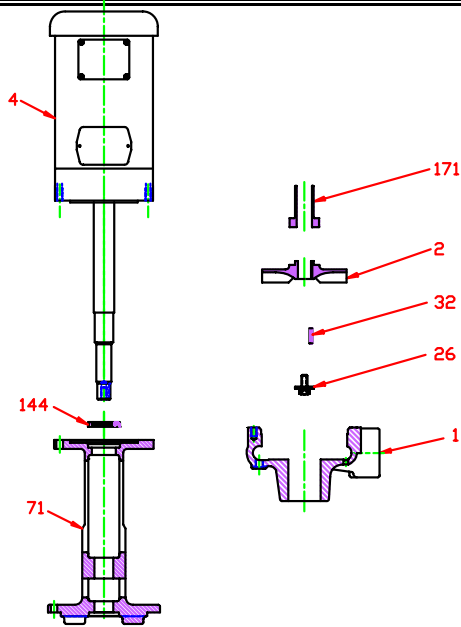


ALL DIMENSIONS IN INCHES.

DRAWING REPRESENTS APPROXIMATE PUMP DIMENSIONS. AUTOCAD DRAWING TO SCALE AVAILABLE FROM FACTORY.



VFE 19GN • Iron • TCV Frame • 3500 RPM



KEY NO.	PART NAME	PUMP NO. 19GN
1	CASE, IRON, 2 x 1.5 NPT	130.000.344X1
2	IMPELLER, 7/8" KEYED, SEMI-OPEN, SPECIFY DIAMETER: IRON	131.000.822
4	MOTOR, TCV140	See Chart
26*	IMPELLER RETAINER, STAINLESS	118.000.111A
32*	KEY, STAINLESS	102.000.102
71	ADAPTER, IRON	132.000.290
144*	LIP SEAL, BUNA	101.000.244
171*	THROTTLE BUSHING, STEEL	110.000.348
--	REPAIR KIT	118.000.545
	MOUNTING PLATE MP11: (not shown)	118.000.329
	MOUNTING PLATE (2 REQ'D)	132.000.292
	CAP SCREW (2 REQ'D)	105.000.457
	WASHER (2 REQ'D)	137.000.697
	NUT (2 REQ'D)	105.000.122

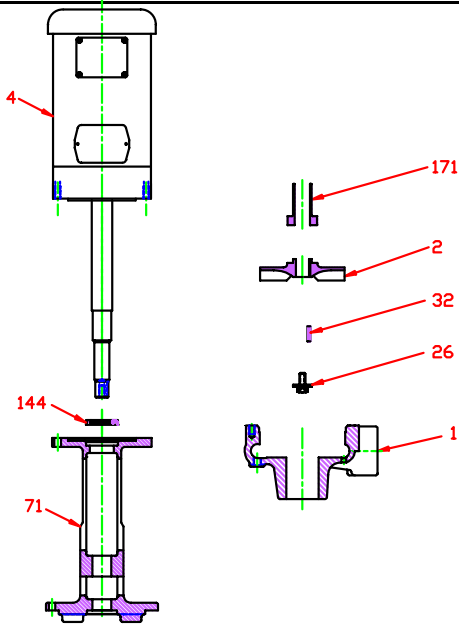
* DENOTES COMPONENTS INCLUDED IN REPAIR KIT.

E019GTCV

C13

P019GN3500TCV

VFE 19GN • Iron • TCV Frame • 3500 RPM



KEY NO.	PART NAME	CAST IRON
1	CASE	IRON
2	IMPELLER	IRON
26	IMPELLER RETAINER	STAINLESS
32	KEY	STAINLESS
71	ADAPTER	IRON
144	LIP SEAL	BUNA
171	THROTTLE BUSHING	STEEL
NS	MOUNTING PLATE MP11: (not shown)	IRON

E019GTCV

E15

C019GN3500TCV