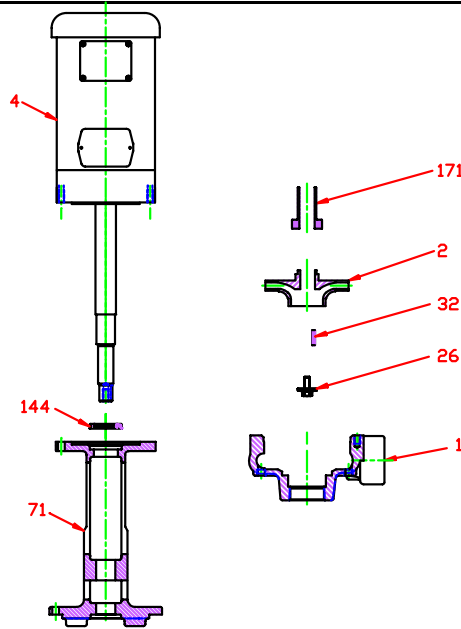


VFE 17S • 316SS • TCV Frame • 3500 RPM



KEY NO.	PART NAME	PUMP NO. 17S
1	CASE, 316SS, 2 x 2 NPT	130.000.265X
2	IMPELLER, 7/8" KEYED, ENCLOSED, SPECIFY DIAMETER: 316 STAINLESS STEEL	137.000.242
4	MOTOR, TCV140	See Chart
26*	IMPELLER RETAINER, 316SS	118.000.111C
32*	KEY, 316SS	102.000.218
71	ADAPTER, 316SS	137.000.844
144*	LIP SEAL, BUNA	101.000.244
171*	THROTTLE BUSHING, 316SS	137.000.845
--	REPAIR KIT	118.000.564
	MOUNTING PLATE MP11S: (not shown)	118.000.554
--	MOUNTING PLATE, 316SS (2 REQ'D)	137.000.846
	CAP SCREW (2 REQ'D)	137.000.853
	WASHER (2 REQ'D)	137.000.854
	NUT (2 REQ'D)	105.000.251

* DENOTES COMPONENTS INCLUDED IN REPAIR KIT.

E017TCV

A13

P017S3500TCV