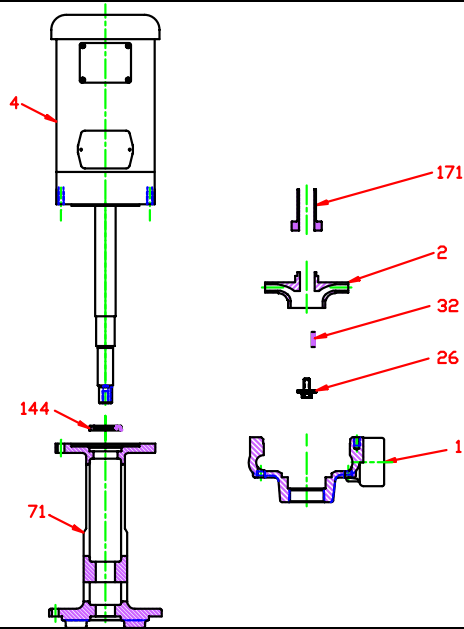




**VFE 17 • Iron • TCV Frame • 3500 RPM**



KEY NO.	PART NAME	PUMP NO. 17
1	CASE, IRON, 2 x 2 NPT	130.000.168X1
2	IMPELLER, 7/8" KEYED, ENCLOSED, SPECIFY DIAMETER: IRON	137.000.128
4	MOTOR, TCV140	See Chart
26*	IMPELLER RETAINER, STAINLESS	118.000.111A
32*	KEY, STAINLESS	102.000.102
71	ADAPTER, IRON	132.000.290
144*	LIP SEAL, BUNA	101.000.244
171*	THROTTLE BUSHING, STEEL	110.000.348
--	REPAIR KIT	118.000.545
	MOUNTING PLATE MP11: (not shown)	118.000.329
	MOUNTING PLATE (2 REQ'D)	132.000.292
	CAP SCREW (2 REQ'D)	105.000.457
	WASHER (2 REQ'D)	137.000.697
	NUT (2 REQ'D)	105.000.122

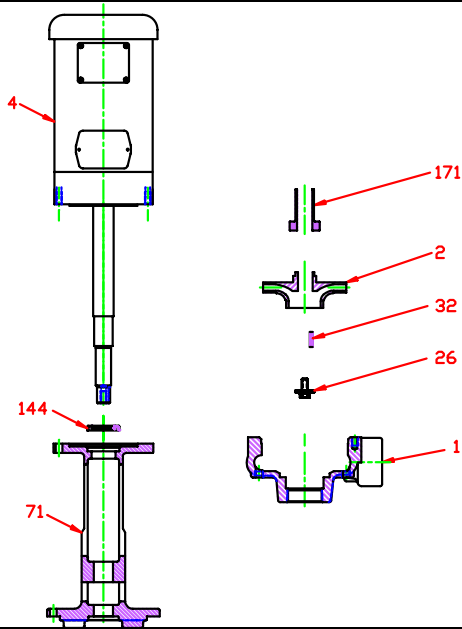
\* DENOTES COMPONENTS INCLUDED IN REPAIR KIT.

E017TCV

C13

P0173500TCV

**VFE 17 • Iron • TCV Frame • 3500 RPM**



KEY NO.	PART NAME	CAST IRON
1	CASE	IRON
2	IMPELLER	IRON
26*	IMPELLER RETAINER	STAINLESS
32*	KEY	STAINLESS
71	ADAPTER	IRON
144*	LIP SEAL	BUNA
171*	THROTTLE BUSHING	STEEL
--	MOUNTING PLATE MP11: (not shown)	

\* DENOTES COMPONENTS INCLUDED IN REPAIR KIT.

E017TCV

C15

C0173500TCV