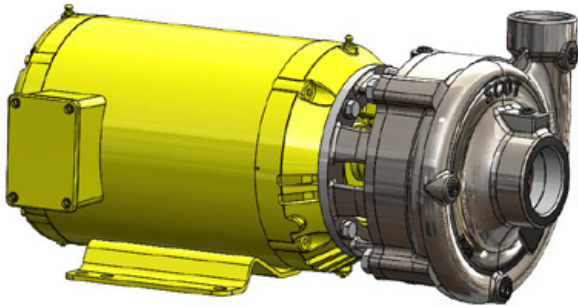




MOTORPUMP™ — 3500 RPM 702S JM

304SS, 60 Hz, 2 X 1.5 X 6.5 NPT

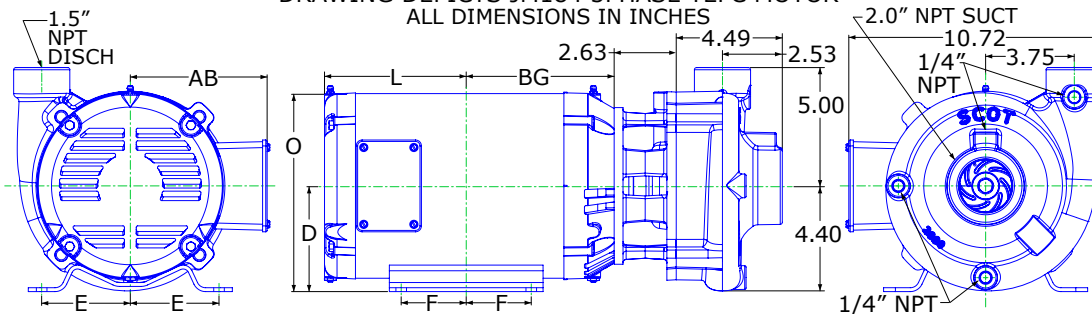
A WILO BRAND



Drinking Water System Component
NSF/ANSI 61
ALSO CLFD IN ACCORDANCE WITH NSF/ANSI 372

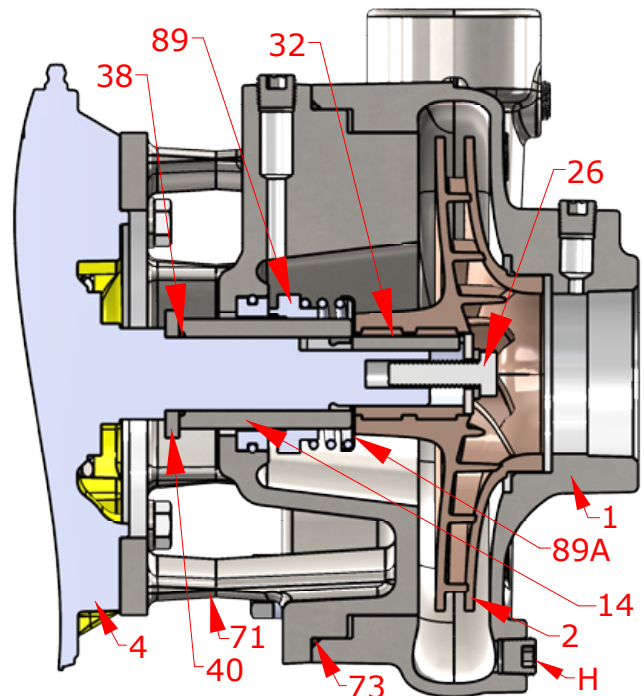
Motor Dimensions										
NEMA	Premium Efficient	JM Frame	3 Phase 3500 RPM							
HP	Type	Frame	D	E	F	O	AB	BG	L	MH
2, 3	ODP	JM145	3.50	2.75	2.50	6.77	5.61	5.38	4.12	0.34
5	ODP	JM182	4.50	3.75	2.25	8.44	6.74	5.75	5.12	0.41
7.5	ODP	JM184	4.50	3.75	2.25	8.44	6.74	5.75	6.56	0.41
10	ODP	JM213	5.25	4.25	2.75	10.03	7.92	7.00	6.94	0.43
2	TEFC	JM145	3.50	2.75	2.50	7.00	6.25	5.06	6.34	0.34
3	TEFC	JM182	4.50	3.75	2.25	8.85	7.57	5.01	7.14	0.41
5, 7.5	TEFC	JM184	4.50	3.75	2.75	9.34	7.57	5.51	7.64	0.41
10	TEFC	JM215	5.25	4.25	3.50	10.37	8.19	6.77	9.16	0.41

DRAWING DEPICTS JM184 3PHASE TEFC MOTOR
ALL DIMENSIONS IN INCHES



Construction

Key	Part Name	Standard Fitted
1	Case	304SS
2	Impeller	PPS-GF
14	Sleeve	304SS
26	Retainer Assembly	304SS
32	Key	316SS
38	O-ring, Shaft	Buna
40	Flinger	304SS
71	Adapter	304SS
73	Gasket, Case	Buna
89	Seal Assembly, BN-CARB/CM	Standard
89A	Seal Spring Retainer	304SS
H	Plug, Drain	304SS





A WILO BRAND

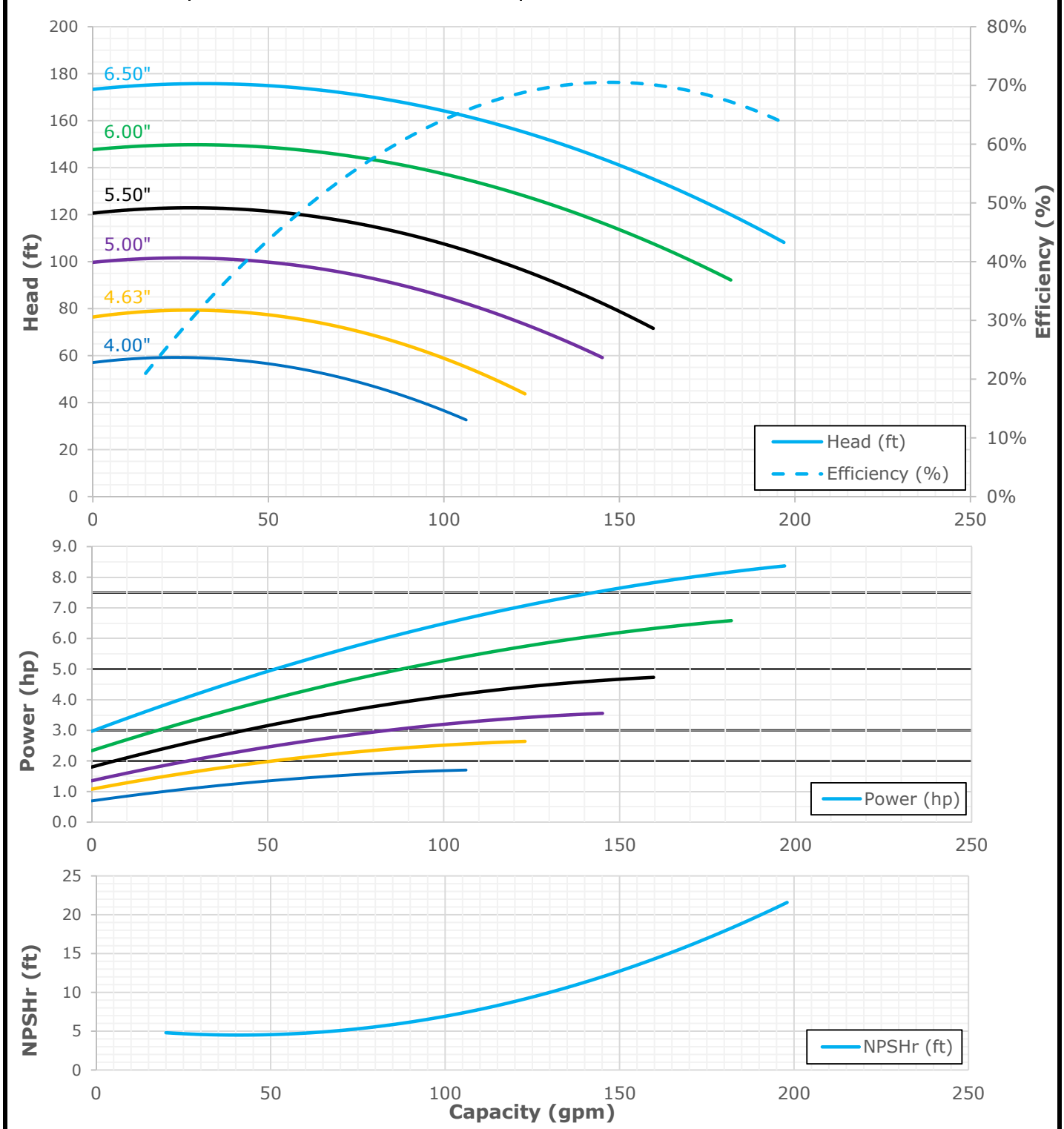
MOTORPUMP™ — 3500 RPM

304SS, 60 Hz, 2 X 1.5 X 6.5 NPT

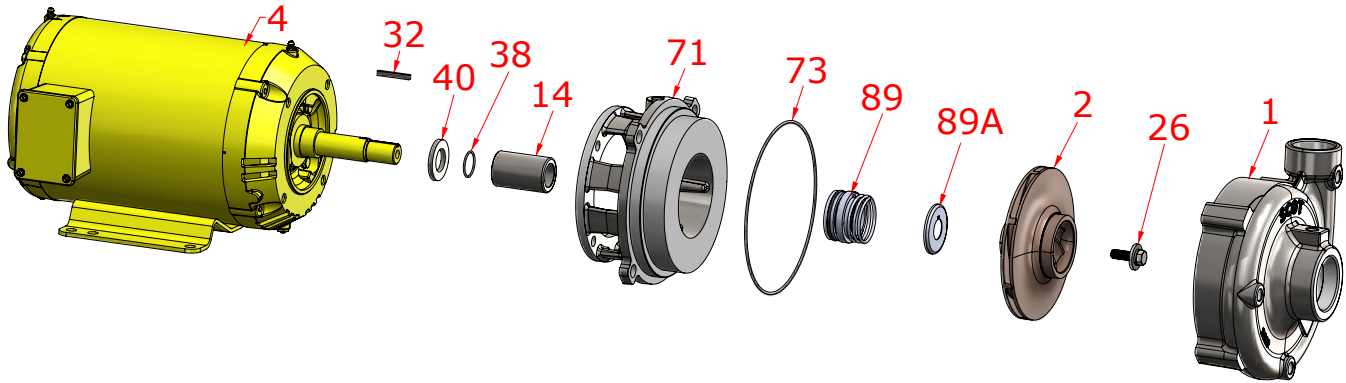
702S JM

Performance Curve

Performance Curve Number: 40.000.769	Pump 702 2.0 X 1.5 X 6.50	1.00 S.G. 70.0 °F	Imp. Type: Enclosed 3/23/2020	3500 RPM 60 Hz	Max Sphere: 0.25" PEI _{CL} 0.92
--------------------------------------	-------------------------------------	----------------------	----------------------------------	-------------------	---



Parts



Key	Part Name	Part Number
1	Case 701S/702S, 304SS, 2.0 X 1.5 NPT, Stn plugs	3301348X
2	Impeller 702S, NSF PPS-GF, Specify Dia., 6.50 Max 7/8" Key	3301336
4	Motor chart, JM140/180	See Chart
	Motor chart, JM210	See Chart
14*	Shaft sleeve, 304SS	110.000.192
26*	Impeller retaining assembly, 304SS	118.000.680
32*	Key, 304SS	137.003.137
38*	O-ring, Shaft, Buna	116.000.117
	O-ring, Shaft, Viton	116.000.105
40*	Flinger, 304SS	104.000.256
71	Adapter, 304SS, JM140/180 1-1/2" Seal, Stn plug	3301352X
	Adapter, 304SS, JM210 1-1/2" Seal, Stn plug	3301354X
73*	Gasket, Case, Buna	137.003.117
89*	Seal, 1.5" Type 21, BN-CARB/CM	101.000.168
	Seal, 1.5" Type 21, EPDM-CARB/SIL	101.000.175B
	Seal, 1.5" Type 21, EPDM-SIL/SIL	101.000.204A
	Seal, 1.5" Type 21, VN-CARB/CM	101.000.191
	Seal, 1.5" Type 21, VN-CARB/SIL	101.000.175
	Seal, 1.5" Type 21, VN-SIL/SIL	101.000.204
89A*	Seal spring retainer, Stainless	104.000.174
KIT	Repair Kit, 1.5" BN-CARB/CM Seal, Stn sleeve, BN O-ring	3301355
	Repair Kit, 1.5" EPDM-CARB/SIL Seal, Stn sleeve, BN O-ring	3301356
	Repair Kit, 1.5" EPDM-SIL/SIL Seal, Stn sleeve, BN O-ring	3301357
	Repair Kit, 1.5" VN-CARB/CM Seal, Stn sleeve, VN O-ring	118.000.681A
	Repair Kit, 1.5" VN-CARB/SIL Seal, Stn sleeve, BN O-ring	3301358
	Repair Kit, 1.5" VN-SIL/SIL Seal, Stn sleeve, VN O-ring	118.000.681F

* Denotes components included in repair kit.

Motor Charts

