

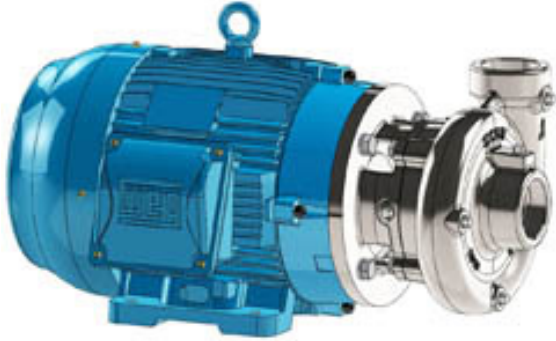


A WILO BRAND

MOTORPUMP™ — 3500 RPM

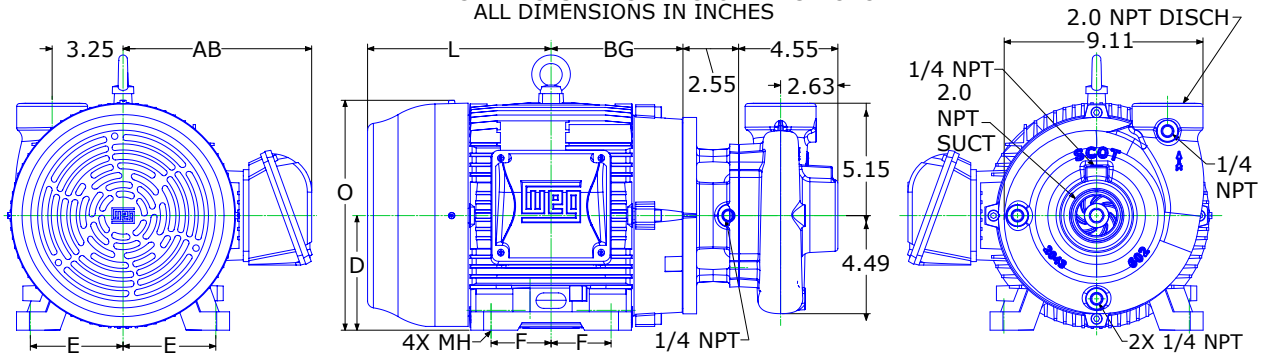
316SS, 60 Hz, 2 X 2 X 5.5 NPT

602S TC



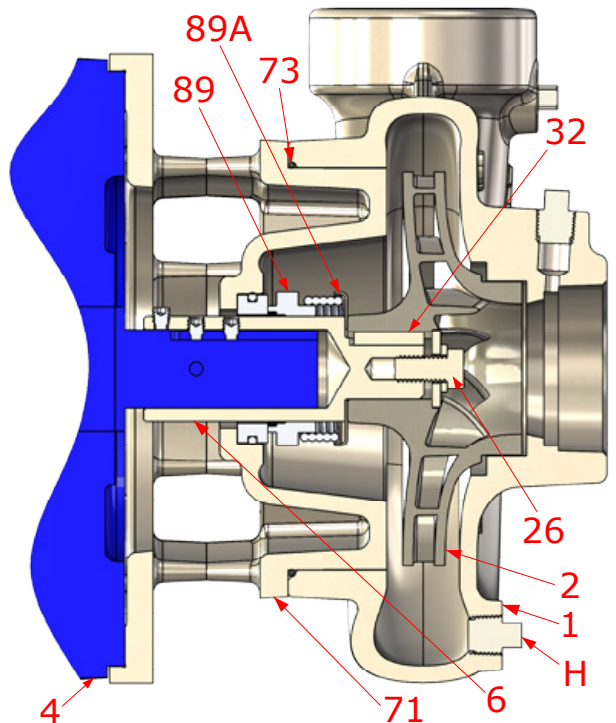
Motor Dimensions											
NEMA	Premium Efficient	TC Frame	3 Phase		3500 RPM						
HP	Type	Frame	B	D	E	F	O	AB	BG	L	MH
1.5	TEFC	TC143	3.60	3.50	2.75	2.00	7.12	6.18	4.25	5.81	0.34
2	TEFC	TC145	3.60	3.50	2.75	2.50	7.12	6.18	4.75	6.31	0.34
3	TEFC	TC182	4.25	4.50	3.75	2.25	9.34	7.56	5.00	6.99	0.41
5, 7.5	TEFC	TC184	4.25	4.50	3.75	2.75	9.34	7.56	5.50	7.49	0.41

DRAWING DEPICTS A 7.5HP TC184 TEFC MOTOR
ALL DIMENSIONS IN INCHES



Construction Options

Key	Part Name	Stainless Fitted
1	Case	316SS
2	Impeller	316SS
6	Stub Shaft	316SS
26	Impeller Retaining Assembly	316SS
32	Key	316SS
71	Adapter	316SS
73	Gasket, Case	Viton
89	Mechanical Seal, Type 21, VN-SIL/SIL	Standard
89A	Seal Retainer	316SS
H	Plug, Drain	316SS





A WILO BRAND

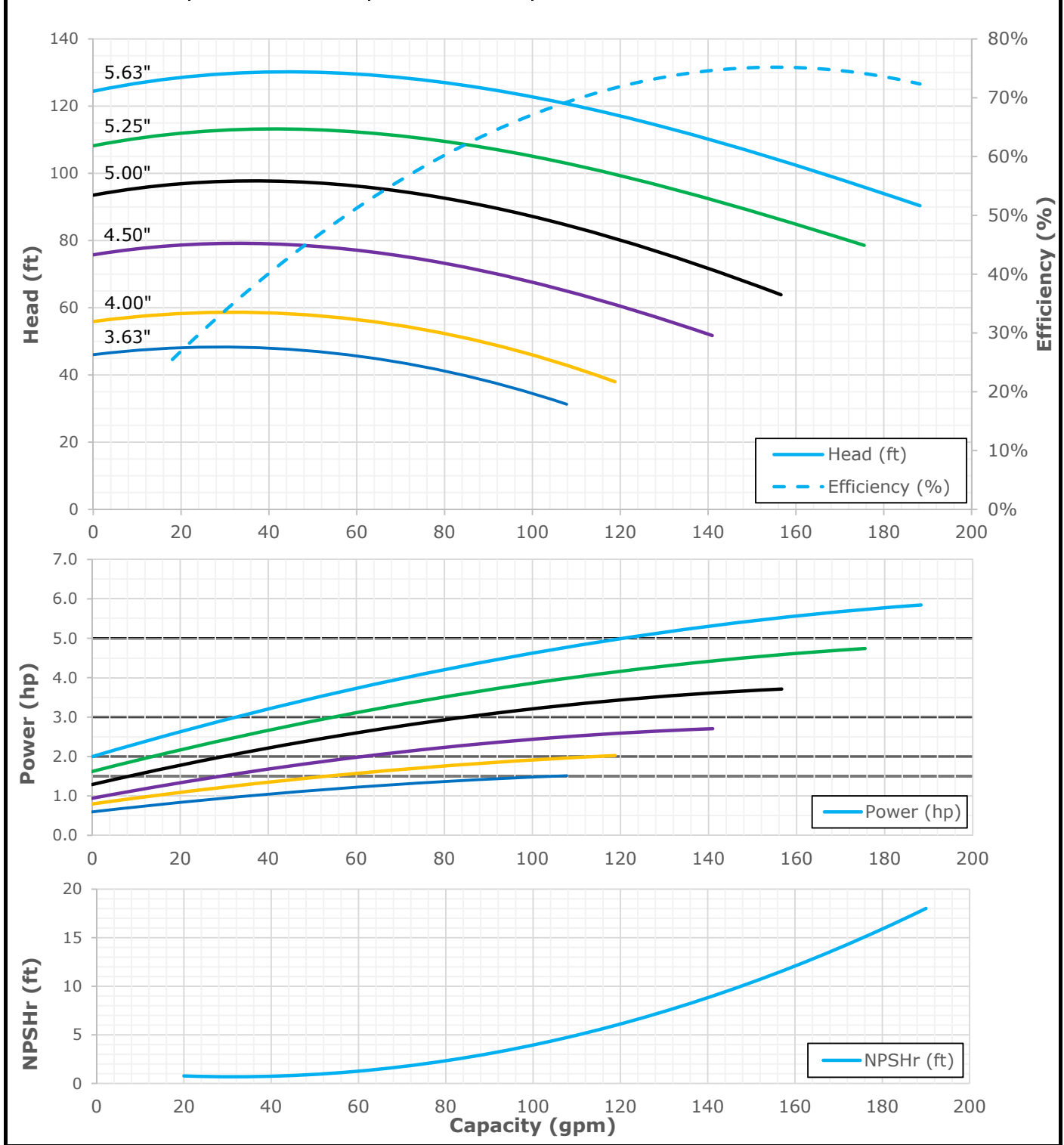
MOTORPUMP™ — 3500 RPM

316SS, 60 Hz, 2 X 2 X 5.5 NPT

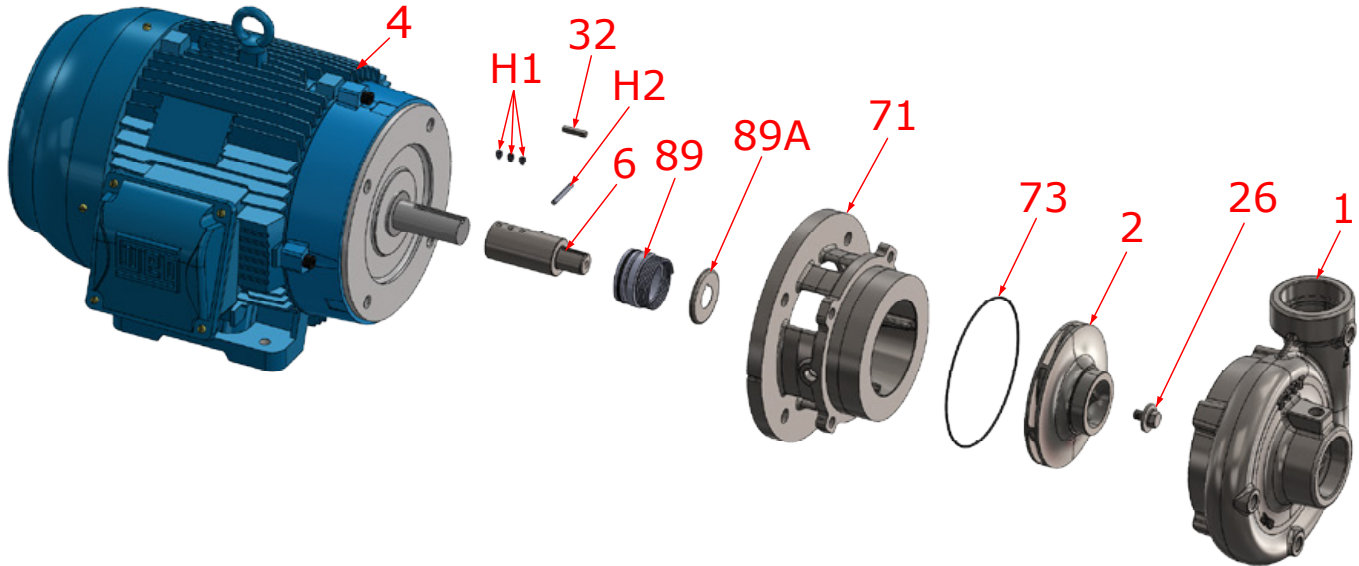
602S TC

Performance Curve

Performance Curve	Pump 602S	1.00 S.G.	Imp. Type: Enclosed	3500 RPM	Max Sphere: 9/32"
Number: 40.000.764S	2.0 X 2.0 X 5.63	70.0 °F	3/23/2020	60 Hz	PEI _{CL} 0.92



Parts



Key	Part Name	Part Number	
		1.5-3 HP	5-7.5 HP
1	Case 602S, 316SS, 2.00 X 2.00 NPT, Stn plugs	3301127X	3301127X
2	Impeller 602S, 316SS, Specify Dia., 5.63 Max 7/8" Key	3301136	3301136
4	Motor chart, TC140	See Chart	--
	Motor chart, TC180	--	See Chart
6*	Stub shaft assembly, 316SS Includes pin (Key# H2) and set screws (Key# H1)	137.003.151X	137.003.148X
26*	Impeller retaining assembly, Stainless	118.000.691	118.000.691
32*	Key, Stainless, 316SS	102.000.218	102.000.218
71	Adapter, 316SS, 1-1/2" Seal, with plug	3301125X	3301129X
73*	Gasket, Case, Viton	116.000.150	116.000.150
	Gasket, Case, EPDM	116.000.146A	116.000.146A
H1	Set Screw, 303SS (3)	105.000.313	105.000.313
H2	Pin, 303SS	105.000.354	105.000.354
89*	Seal, 1-1/2", 316SS, Type 21, VN-SIL/SIL	137.003.147	137.003.147
	Seal, 1-1/2", 316SS, Type 21, EPDM-SIL/SIL	101.000.204A	101.000.204A
89A*	Seal spring retainer, Stainless	137.003.146	137.003.146
KIT	Repair Kit, 1-1/2" VN-SIL/SIL Seal, Stn sleeve, VN O-ring	118.000.692	118.000.690
	Repair Kit, 1-1/2" EPDM-SIL/SIL Seal, Stn sleeve, EPDM O-ring	3301450	3301451

* Denotes components included in repair kit.

Motor Charts

