

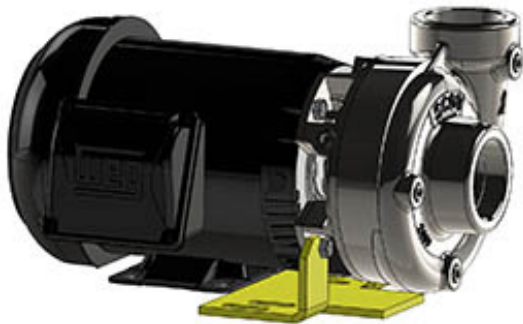


A WILO BRAND

MOTORPUMP™ — 3500 RPM

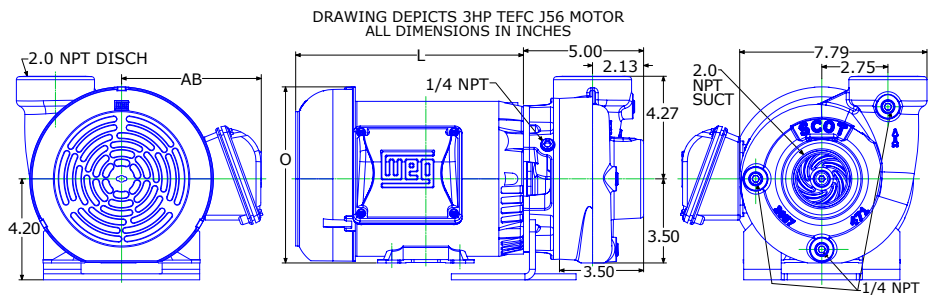
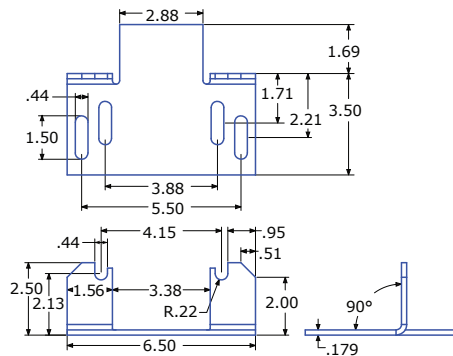
304SS, 60 Hz, 2 X 2 X 4.38 NPT

471S J56



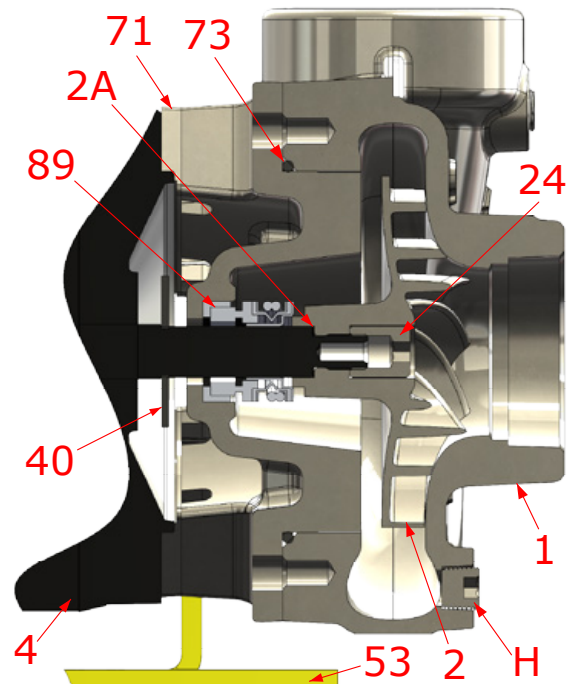
Motor Dimensions							
NEMA J56 Frame 3500 RPM							
HP	Type	3 Phase			1 Phase		
		L	O	AB	L	O	AB
0.50	ODP	8.26	6.46	3.32	9.06	8.37	3.25
0.75	ODP	8.65	6.46	3.32	9.56	8.37	3.25
1.0	ODP	8.65	6.46	3.32	9.81	8.37	3.25
1.5	ODP	9.04	6.46	3.32	10.31	8.37	3.25
2.0	ODP	9.44	6.46	3.32	10.31	8.37	3.25
3.0	ODP	10.22	6.46	3.32	10.84	8.37	3.25
0.50	TEFC	9.48	7.33	5.87	9.43	8.10	5.31
0.75	TEFC	9.48	7.33	5.87	9.43	8.10	5.31
1.0	TEFC	10.27	7.33	5.87	10.59	8.10	5.31
1.5	TEFC	11.06	7.33	5.87	10.59	8.10	5.31
2.0	TEFC	11.85	7.33	5.87	11.77	8.10	5.31
3.0	TEFC	13.03	7.33	5.87	12.16	8.10	5.31

Motors are Standard Efficient with the exception of the 1-2 HP 3 phase TEFC, which are Premium Efficient.



Construction Options

Key	Part Name	Stainless
1	Case	304SS
2	Impeller	304SS
24	Impeller Locknut	304SS
40	Flinger	Neoprene
53	Base	Steel
71	Adapter	304SS
73	Gasket, Case	Buna
89	Mech Seal, Type 6 BN-CARB/CM	Standard
H	Plug, Drain	Stainless





A WILO BRAND

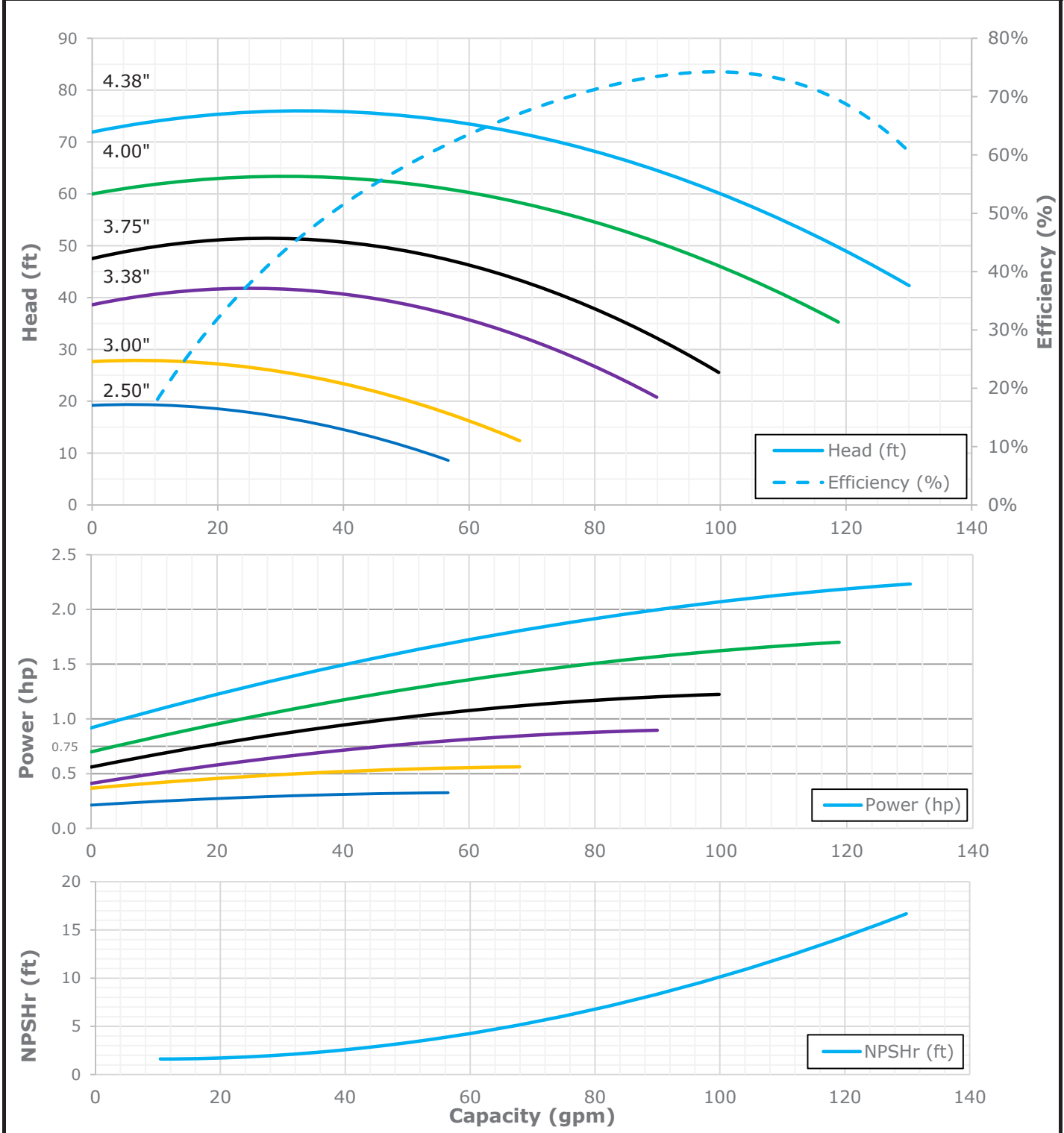
MOTORPUMP™ — 3500 RPM

304SS, 60 Hz, 2 X 2 X 4.38 NPT

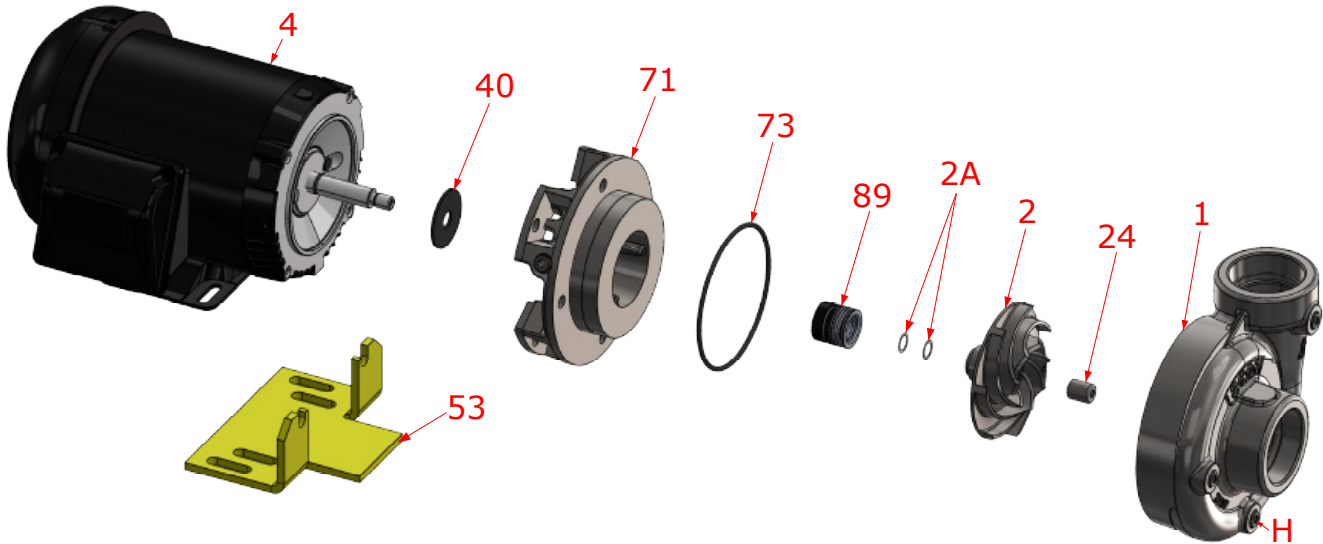
471S J56

Performance Curve

Performance Curve	Pump 471S	1.00 S.G.	Imp. Type: Semi-Open	3500 RPM	Max Sphere: 5/16"
Number: 40.000.779S	2.0 X 2.0 X 4.38	70.0 °F	8/19/2020	60 Hz	PEI _{CL} 0.91



Parts



Key	Part Name	Part Number	
1	Case 471S, 304SS, 2.00 X 2.00 NPT Stainless plugs	3301215X	
2	Impeller 471, 304SS, Specify Dia., 4.38 Max, 7/16" Thrd	3301112	
2A	Shim, 301SS, 0.005" Thick	137.002.766	
	Shim, 301SS, 0.010" Thick	137.002.767	
4	Motor chart, J56 3.5" Rigid Base	See Chart	
	Motor chart, J56 Round Body	See Chart	
24*+	Locknut, Stainless, Socket Head	110.000.190	
40*	Flinger, Neoprene	104.000.171	
53	Base, Steel	3301100	
71	Adapter, 304SS, J56, 5/8" Seal, with Stainless plug	3301216X	
73*	Gasket, Case, Buna	116.000.141	
89*	Seal, 5/8", Type 21, EPDM-CARB/CM, With retainer	101.000.327	
	Seal, 5/8", Type 21, EPDM-CARB/SIL, With retainer	101.000.173	
	Seal, 5/8", Type 21, EPDM-SIL/SIL, With retainer	101.000.236	
	Seal, 5/8", Type 21, VN-CARB/CM, With retainer	101.000.103	
	Seal, 5/8", Type 21, VN-CARB/SIL, With retainer	101.000.120	
	Seal, 5/8", Type 21, VN-SIL/SIL, With retainer	101.000.239	
	Seal, 5/8", Type 6, BN-CARB/CM, No retainer	101.000.110	
KIT		3 Phase:	1 Phase:
	Repair Kit, 5/8" BN-CARB/CM Seal	118.000.686	118.000.686.1
	Repair Kit, 5/8" EPDM-CARB/CM Seal	118.000.686G	118.000.686G.1
	Repair Kit, 5/8" EPDM-CARB/SIL Seal	118.000.686C	118.000.686C.1
	Repair Kit, 5/8" EPDM-SIL/SIL Seal	118.000.686D	118.000.686D.1
	Repair Kit, 5/8" VN-CARB/CM Seal	118.000.686A	118.000.686A.1
	Repair Kit, 5/8" VN-CARB/SIL Seal	118.000.686B	118.000.686B.1
Repair Kit, 5/8" VN-SIL/SIL Seal	118.000.686F	118.000.686F.1	

* Denotes components included in repair kit.

+ Not required on 1/3 to 1-1/2 HP 1 phase motors.

Use 3 phase kits on 2-3 HP 1 phase motors.

Motor Charts

Motor Chart
J56 Frame, Round Body - 3500 RPM - 1 & 3 Phase

1 PHASE 60 Hz 3500 RPM			3 PHASE 60 Hz 3500 RPM				
115/230V			208-230/460V		575V		
HP	ODP	TEFC	HP	ODP	TEFC	ODP	TEFC
1/3	113.000.101		1/3	113.000.365			- -
1/2	113.000.102		1/2	113.000.366			113.000.506
3/4	113.000.103	REPLACED BY 3.5" RIGID BASE	3/4	113.000.354	REPLACED BY 3.5" RIGID BASE	REPLACED BY 3.5" RIGID BASE	113.000.502
1	113.000.104		1	113.000.372			113.000.469
1.5	113.000.143		1.5	113.000.360			113.000.411
2	113.000.348		2	113.000.349			113.000.562
3	113.000.581		3	113.000.368			113.001.347

Motor Chart
J56 Frame, 3.5" Rigid Base - 3500 RPM - 1 & 3 Phase

1 PHASE 60 Hz 3500 RPM			3 PHASE 60 Hz 3500 RPM				
115/230V			208-230/460V		575V		
HP	ODP	TEFC	HP	ODP	TEFC	ODP	TEFC
1/3	113.000.880	137.001.633	1/3	- -	- -	- -	- -
1/2	113.000.116	113.000.929	1/2	113.000.118	113.001.154	137.001.634	113.001.211
3/4	137.001.439	113.000.167	3/4	137.001.080	137.001.223	137.001.635	137.002.416
1	137.001.097	137.001.352	1	137.001.081	137.001.232	137.001.636	137.001.548
1.5	137.001.658	137.001.538	1.5	137.001.069	113.000.409	137.001.456	137.002.409
2	137.001.671	137.001.204	2	137.001.052	137.001.211	137.001.637	137.001.774
3	137.001.672	137.001.539	3	137.001.082	137.001.188	137.001.503	137.002.544
5	- -	- -	5	137.001.134	- -	- -	- -