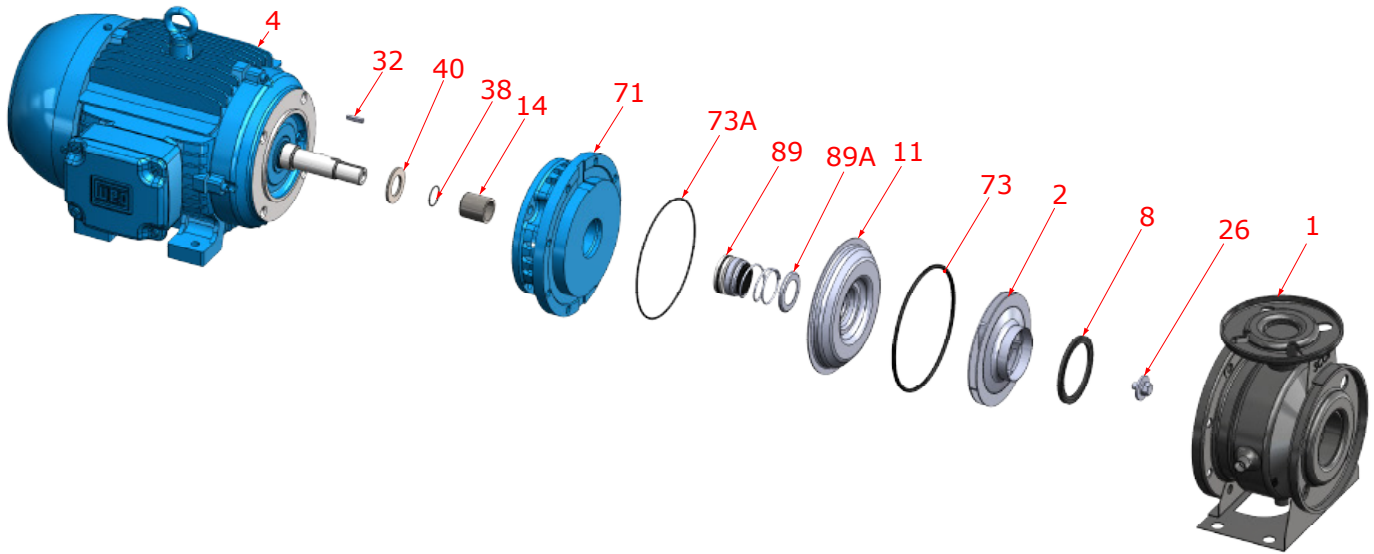


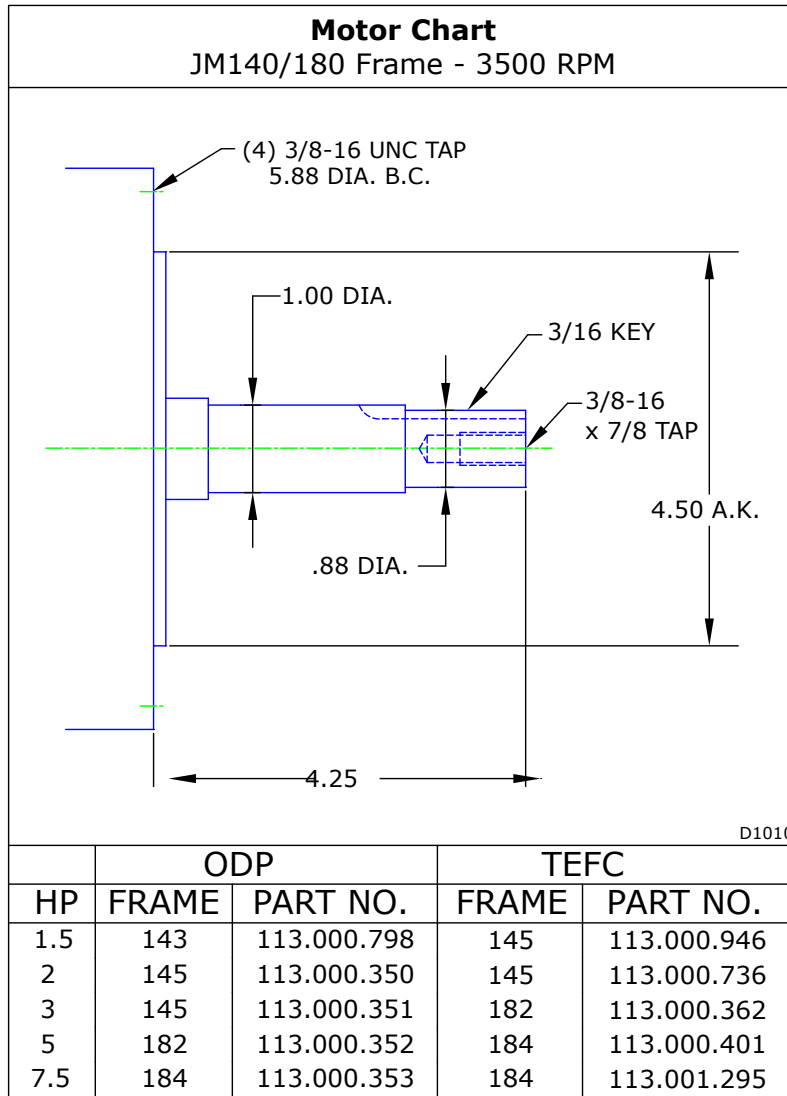
Parts



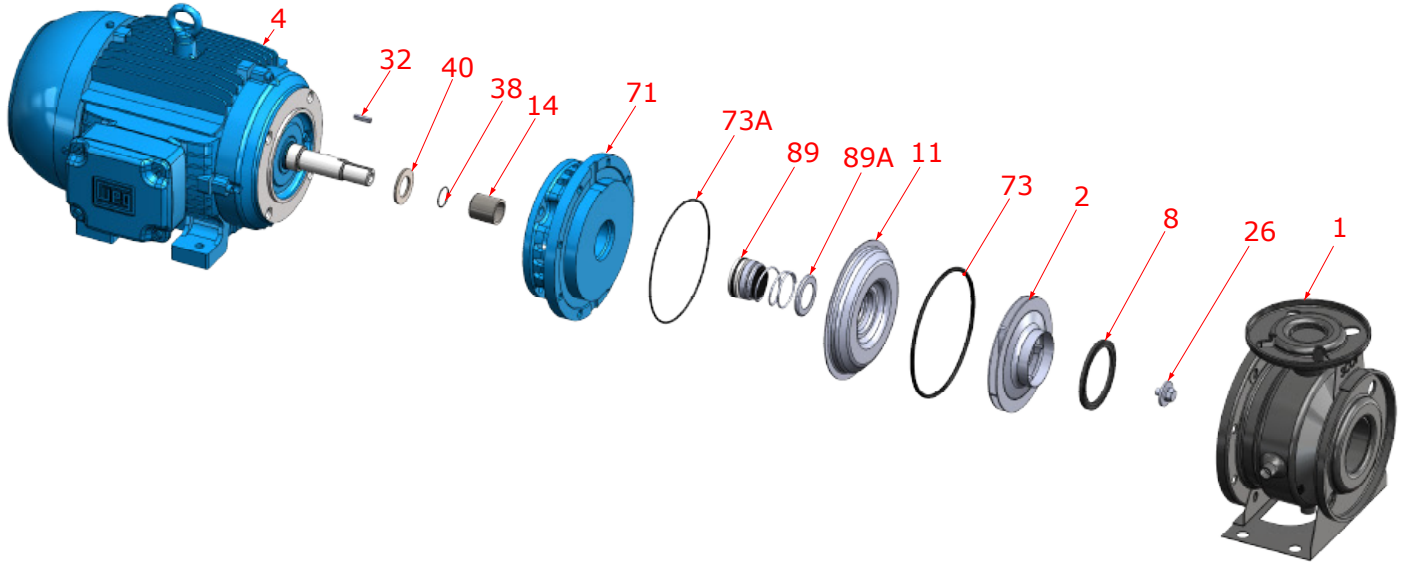
Key No.	Part Name	Part Number
1	Case 323, Stainless, 2.50 X 1.50 FLG	137.002.958.1
2	Impeller 323, Stainless, 4.41 Dia., 7/8" Key	137.002.965
	Impeller 323, Stainless, 4.72 Dia., 7/8" Key	137.002.966
	Impeller 323, Stainless, 4.92 Dia., 7/8" Key	137.002.928
	Impeller 323, Stainless, 5.51 Dia., 7/8" Key	137.002.930
4	Motor chart, JM140/180 3500 rpm	See Chart
8	Ring Impeller PPO with 20% Glass	137.002.929
11	Cover, Stainless	137.002.903
14*	Sleeve, Stainless	137.002.920
26*	Impeller retaining assembly, Stainless	118.000.111A
32*	Key, Stainless	137.002.924
38*	O-ring, Shaft, Buna	116.000.117
40*	Flinger, Stainless	104.000.165
71	Adapter, Iron, JM180 1-1/4" Seal	137.002.902
73*	O-ring, Shaft, Buna	137.002.905
73A*	O-ring, Cover, Buna	137.003.011
89*	Seal, 1-1/4" Type 21, BN-CARB/CM	137.002.949
	Seal, 1-1/4" Type 21, EPDM-CARB/SIL	137.002.951
	Seal, 1-1/4" Type 21, VN-CARB/CM	137.002.950
	Seal, 1-1/4" Type 21, VN-CARB/SIL	137.002.952
	Seal, 1-1/4" Type 21, VN-SIL/SIL	137.002.953
89A*	Seal spring retainer, Stainless	137.002.948
KIT	Repair Kit, 1-1/4" BN-CARB/CM Seal, BN O-ring	118.000.673
	Repair Kit, 1-1/4" EPDM-CARB/SIL Seal, BN O-ring	118.000.673C
	Repair Kit, 1-1/4" VN-CARB/CM Seal, BN O-ring	118.000.673A
	Repair Kit, 1-1/4" VN-CARB/SIL Seal, BN O-ring	118.000.673D
	Repair Kit, 1-1/4" VN-SIL/SIL Seal, BN O-ring	118.000.673B

* Denotes components included in repair kit

Motor Charts



Construction Options



Construction Options		
Key No.	Part Name	Standard Fitted
1	Case	304SS
2	Impeller	304SS
8	Impeller Ring	PPO-20
11	Cover	304SS
14	Sleeve	304SS
26	Impeller Retaining Assembly	304SS
32	Key	303SS
38	Gasket Shaft	Buna
40	Flinger	304SS
71	Motor Disc	Iron
73	Gasket, Case	Buna
73A	Gasket, Cover	Buna
89	Seal Assembly BN-CARB/CM	Standard
89A	Seal Spring Retainer	304SS