



A WILO BRAND

MOTORPUMP™ — 3500 RPM

304SS, 60 Hz, 2 X 1.25 X 7.88 FLG

322 JM



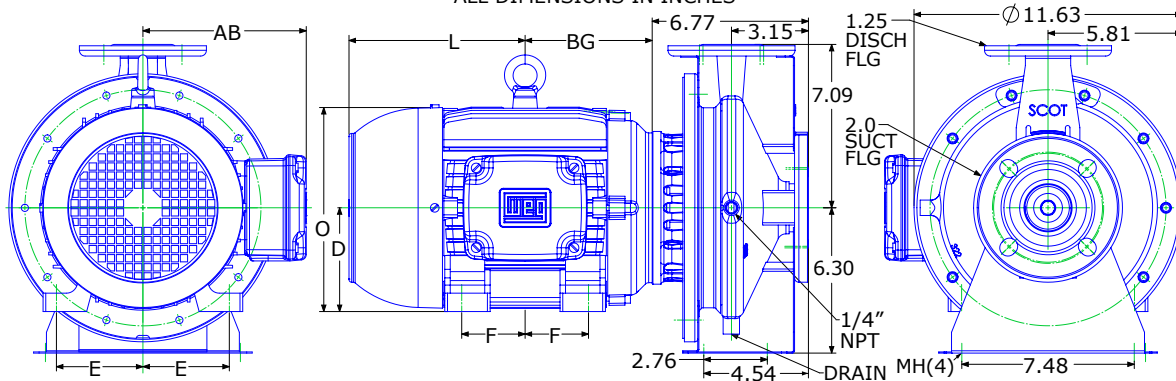
*Pump to be installed only in the horizontal position as shown.



Drinking Water System Component
NSF/ANSI 61
ALSO CLFD IN ACCORDANCE WITH NSF/ANSI 372

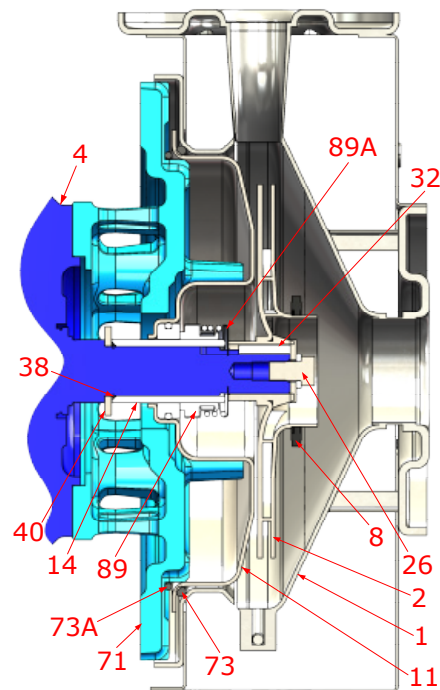
Motor Dimensions										
NEMA Premium Efficient JM Frame 3 Phase 3500 RPM										
HP	Type	Frame	D	E	F	O	AB	BG	L	MH
7.5	ODP	JM184	4.50	3.75	2.25	8.44	6.74	5.75	6.56	0.41
10	ODP	JM213	5.25	4.25	2.75	10.03	7.92	7.00	6.94	0.43
7.5	TEFC	JM184	4.50	3.75	2.75	9.34	7.57	5.51	7.64	0.41
10	TEFC	JM215	5.25	4.25	3.50	10.37	8.19	6.77	9.16	0.41

DRAWING DEPICTS JM184 5HP TEFC MOTOR
ALL DIMENSIONS IN INCHES



Construction Options

Key	Part Name	Standard Fitted
1	Case	304SS
2	Impeller	304SS
8	Impeller Ring	PPO-20
11	Cover	304SS
14	Sleeve	304SS
26	Impeller Retaining Assembly	304SS
32	Key	303SS
38	Gasket Shaft	Buna
40	Flinger	304SS
71	Motor Disc	Iron
73	Gasket, Case	Buna
73A	Gasket, Cover	Buna
89	Seal Assembly BN-CARB/CM	Standard
89A	Seal Spring Retainer	304SS



322ASSY

D322JM184

3223500JM

E23

Scot Pump, A Wilo Brand
+1-262-377-7000
scot.sales@wilo.com



A WILO BRAND

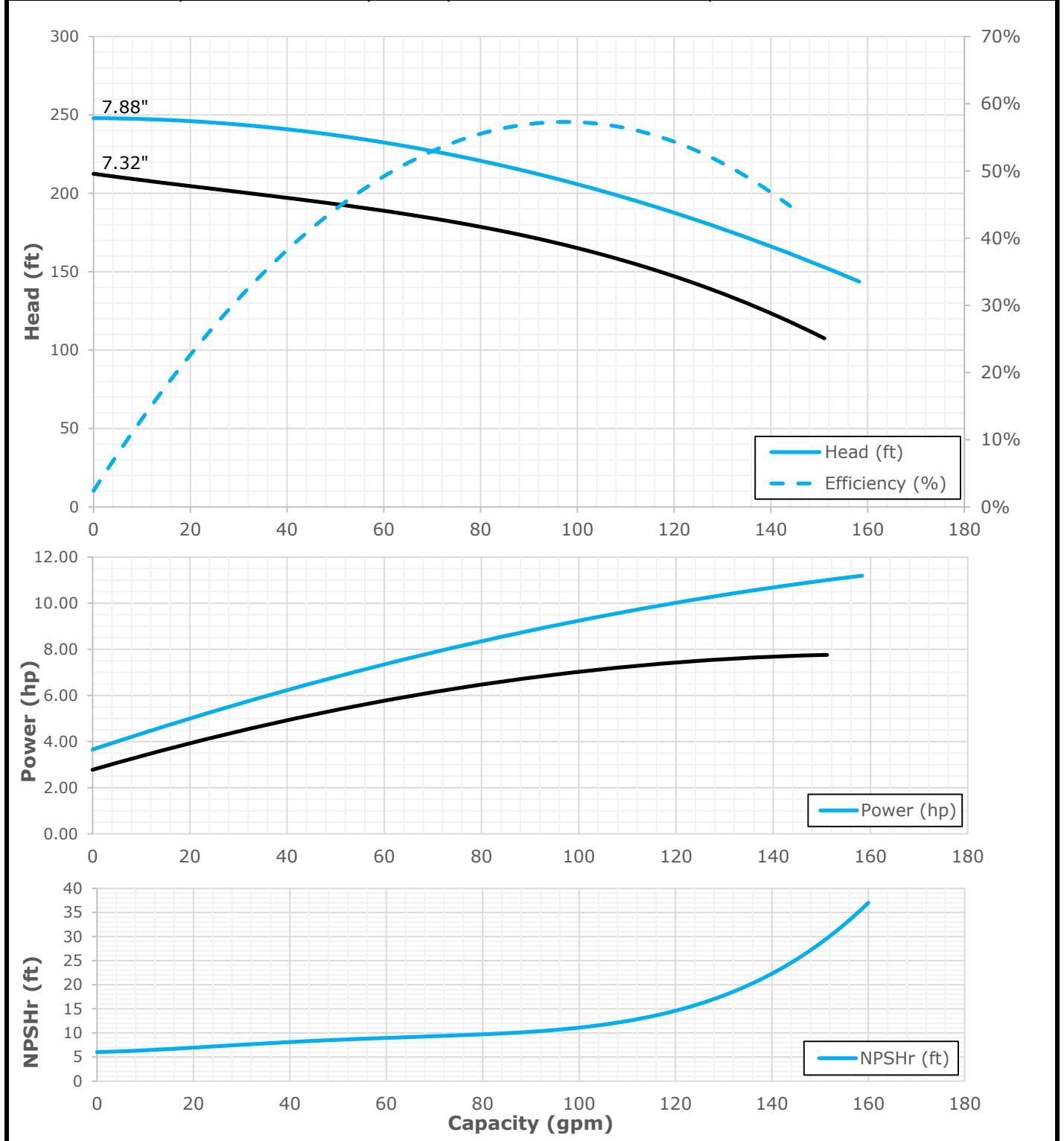
MOTORPUMP™ — 3500 RPM

304SS, 60 Hz, 2 X 1.25 X 7.88 FLG

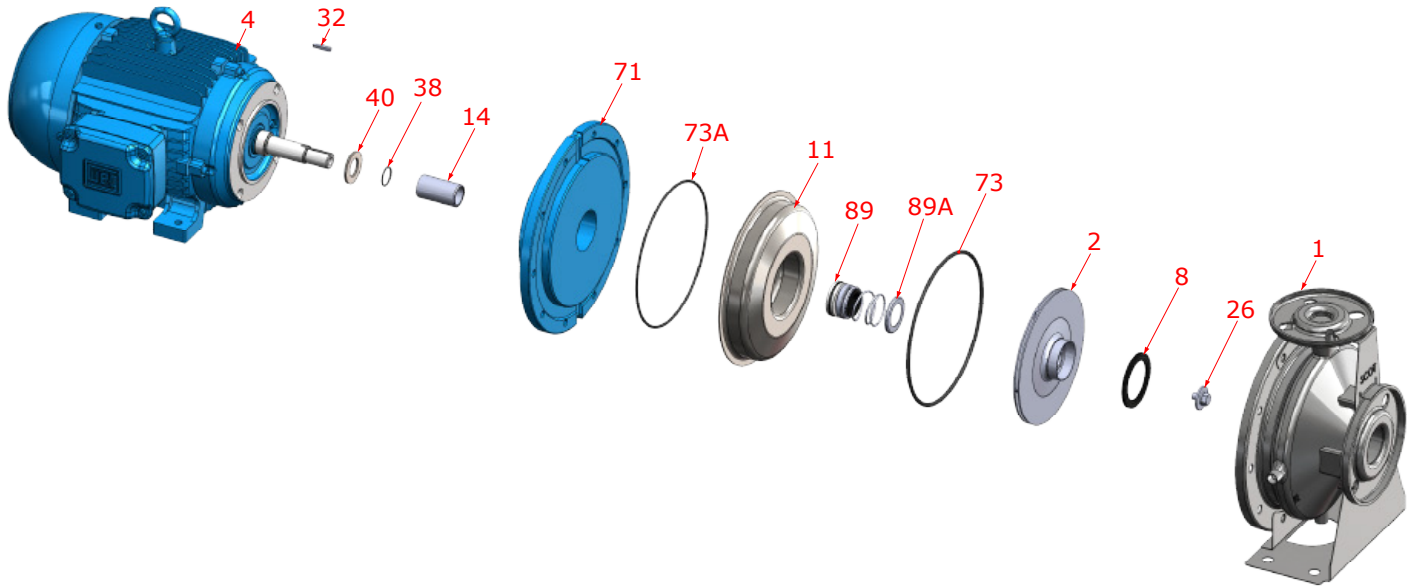
322 JM

Performance Curve

Performance Curve Number: 40.000.730	Pump: 322	1.00	S.G.	Imp. Type: Enclosed	3500 RPM	Max Sphere: 0.31"
	2.0 X 1.25 X 7.88	70.0 °F		11/13/2019	60 Hz	PEI _{CL} 0.87



Parts



Key No.	Part Name	Part Number
1	Case 322, Stainless, 2.00 X 1.25 FLG	137.002.957.1
2	Impeller 322, Stainless, 7.32 Dia., 7/8" Key	137.002.916
	Impeller 322, Stainless, 7.87 Dia., 7/8" Key	137.002.917
4	Motor chart, JM140/180 3500 rpm	See Chart
	Motor chart, JM210 3500 rpm	See Chart
8	Ring Impeller PPO-20	137.002.906
11	Cover, Stainless	137.002.919
14*	Sleeve, Stainless	137.002.904
26*	Impeller retaining assembly, Stainless	118.000.111A
32*	Key, Stainless	102.000.102
38*	O-ring, Shaft, Buna	116.000.117
40*	Flinger, Stainless	104.000.165
71	Adapter, Iron, JM180 1-1/4" Seal	137.002.918
	Adapter, Iron, JM210 1-1/4" Seal	137.002.926
73*	O-Ring, Shaft, Buna	137.002.922
73A*	O-ring, Cover, Buna	137.003.013
89*	Seal, 1-1/4" Type 21, BN-CARB/CM	137.002.949
	Seal, 1-1/4" Type 21, EPDM-CARB/SIL	137.002.951
	Seal, 1-1/4" Type 21, VN-CARB/CM	137.002.950
	Seal, 1-1/4" Type 21, VN-CARB/SIL	137.002.952
	Seal, 1-1/4" Type 21, VN-SIL/SIL	137.002.953
89A*	Seal spring retainer, Stainless	137.002.948
KIT	Repair Kit, 1-1/4" BN-CARB/CM Seal, BN O-ring	118.000.675
	Repair Kit, 1-1/4" EPDM-CARB/SIL Seal, BN O-ring	118.000.675C
	Repair Kit, 1-1/4" VN-CARB/CM Seal, BN O-ring	118.000.675A
	Repair Kit, 1-1/4" VN-CARB/SIL Seal, BN O-ring	118.000.675D
	Repair Kit, 1-1/4" VN-SIL/SIL Seal, BN O-ring	118.000.675B

* Denotes components included in repair kit

Motor Charts

