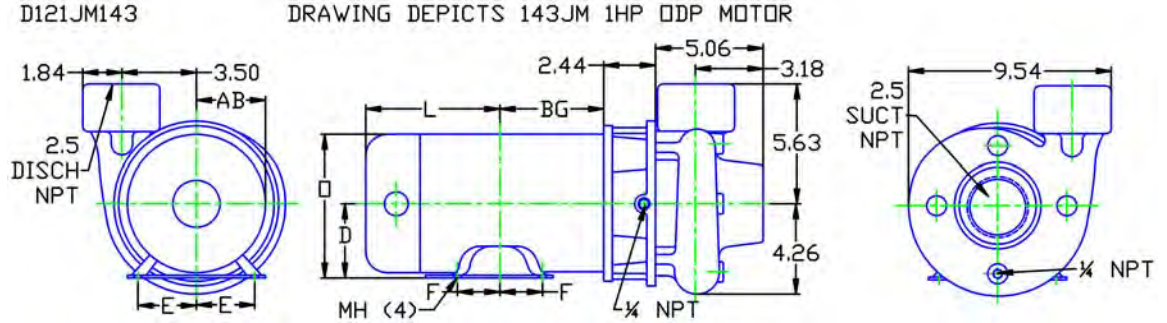


MOTOR DIMENSIONS

NEMA PREMIUM EFFICIENT JM FRAME 3 PHASE 1750 RPM

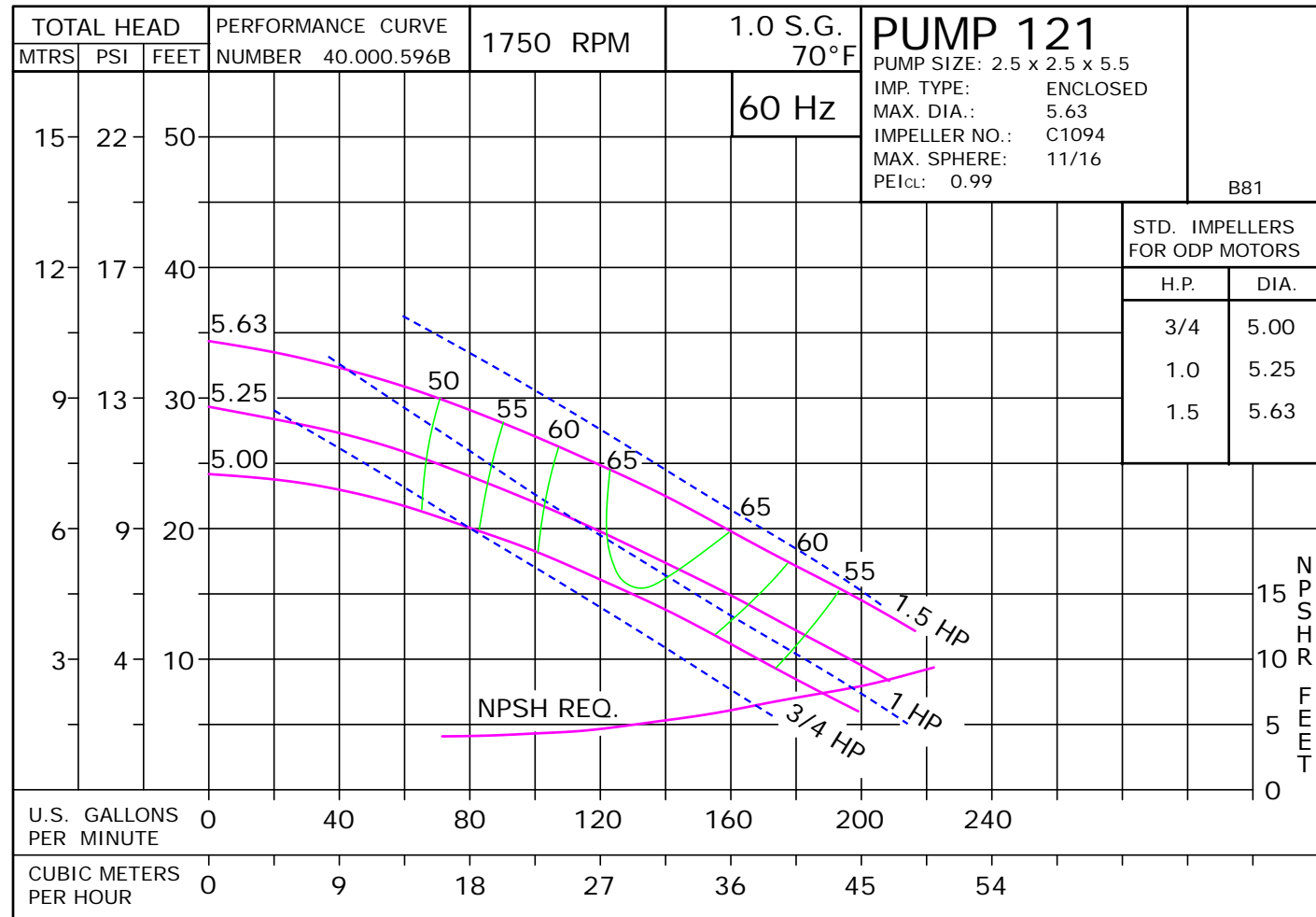
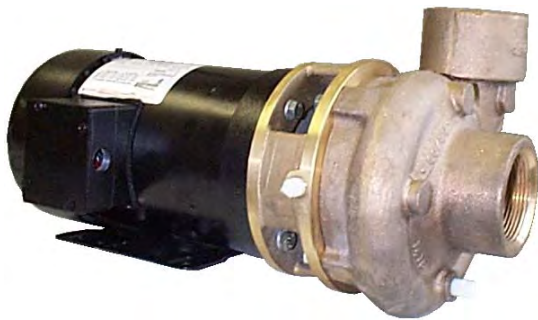
HP	Type	Frame	D	E	F	O	AB	BG	L	MH
1	ODP	JM143	3.50	2.75	2.00	6.77	5.67	4.88	4.63	0.34
1.5	ODP	JM145	3.50	2.75	2.50	6.77	5.61	5.38	4.63	0.34
1	TEFC	JM143	3.50	2.75	2.00	7.00	6.25	4.57	5.84	0.34
1.5	TEFC	JM145	3.50	2.75	2.50	7.00	6.25	5.06	6.34	0.34

See 56C frame for 3/4 HP

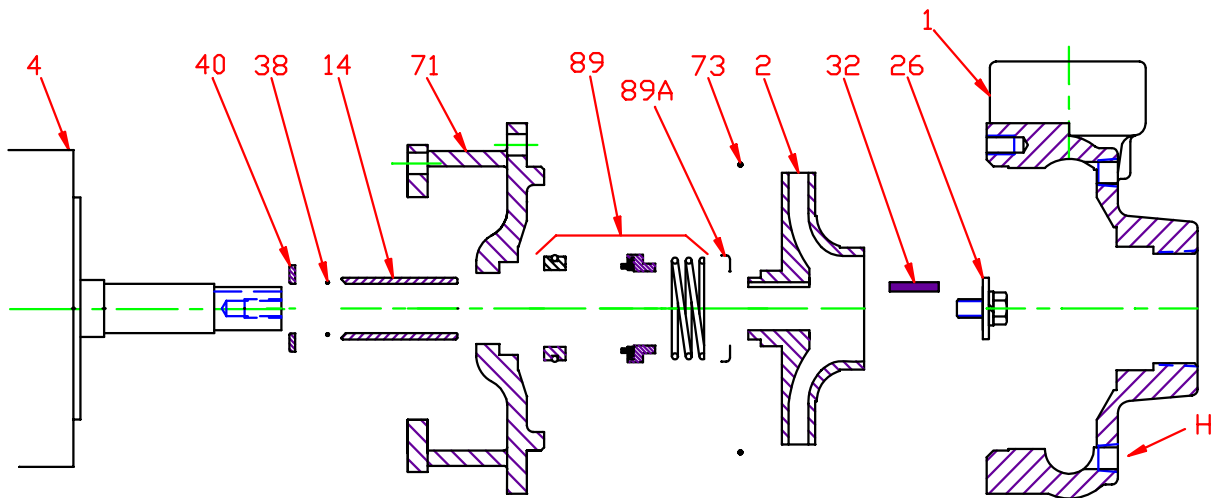


ALL DIMENSIONS IN INCHES.

DRAWING REPRESENTS APPROXIMATE PUMP DIMENSIONS. AUTOCAD DRAWING TO SCALE AVAILABLE FROM FACTORY.



Pump 121 • Bronze • JM Frame • 1750 RPM



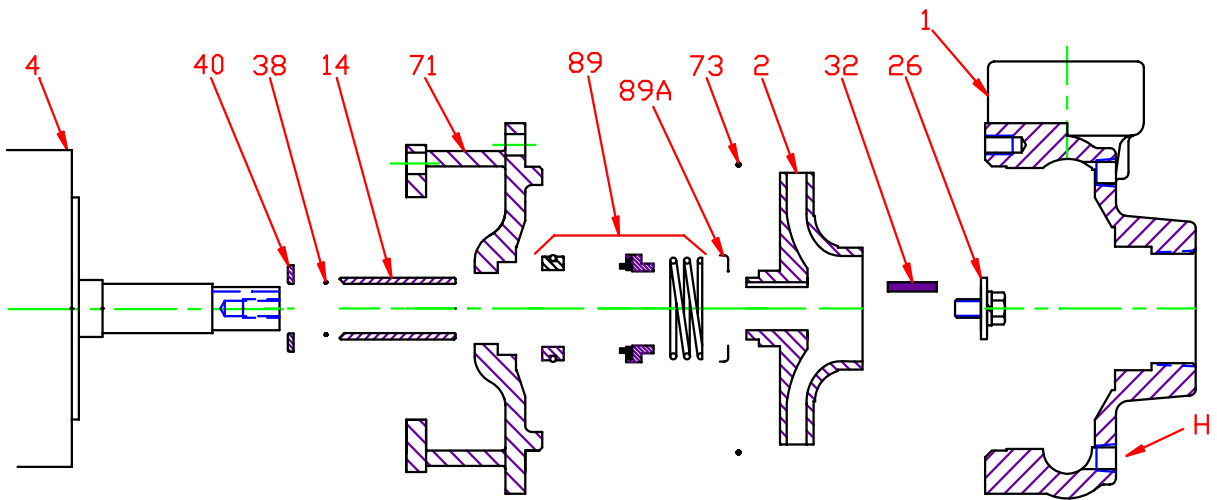
KEY NO.	PART NAME	PUMP NO. 121
1	CASE, BRONZE, 2.5 x 2.5 NPT	130.000.274X
2	IMPELLER, 7/8" KEYED, ENCLOSED, SPECIFY DIAMETER: BRONZE	131.000.805
4	MOTOR, JM140/180	See Chart
14*	SHAFT SLEEVE, BRONZE	110.000.178
	SHAFT SLEEVE, STAINLESS	110.000.192
26*	IMPELLER RETAINER, STAINLESS	118.000.111A
32*	KEY, STAINLESS	102.000.102
38*	O-RING, SHAFT, BUNA	116.000.117
	O-RING, SHAFT, VITON	116.000.105
40*	FLINGER, STAINLESS	104.000.165
71	ADAPTER, BRONZE, JM140/180	132.000.219X
73*	GASKET, CASE, BUNA	116.000.146
	1½" SEALS:	
89*	BN-CARB/CM	101.000.168
	VN-CARB/CM	101.000.191
	VN-CARB/SIL	101.000.175
	VN-SIL/SIL	101.000.204
	EPDM-CARB/SIL	101.000.175B
	EPDM-SIL/SIL	101.000.204A
89A*	SEAL RETAINER	104.000.175
	° REPAIR KITS:	
--	BN-CARB/CM SEAL	118.000.343
	VN-CARB/CM SEAL (S)	118.000.343A
	VN-CARB/SIL SEAL	118.000.343B
	VN-SIL/SIL SEAL (S)	118.000.343F
	EPDM-CARB/SIL SEAL	118.000.343D
	EPDM-SIL/SIL SEAL	118.000.343J
* DENOTES COMPONENTS INCLUDED IN REPAIR KIT.		
° ALL REPAIR KITS INCLUDE THE BRONZE SHAFT SLEEVE EXCEPT THE (S) INDICATED, WHICH IS STAINLESS WITH VITON SHAFT O-RING.		

E017JM

A15

P1211750JM

Pump 121 • Bronze • JM Frame • 1750 RPM



CONSTRUCTION OPTIONS		
KEY	PART NAME	ALL BRONZE
1	Case	Bronze
2	Impeller	Bronze
14	Shaft Sleeve	Bronze
26	Imp. Retaining Ass'y	Stainless
32	Key	Stainless
38	Shaft O-Ring	BUNA
40	Flinger	Stainless
71	Adapter	Bronze
73	Gasket, Case	BUNA
89	Mechanical Seal, Type 21 BN-CM	Standard
H	Plug, Drain	Brass

E017JM
K12

C1211750JM