

MOTOR DIMENSIONS

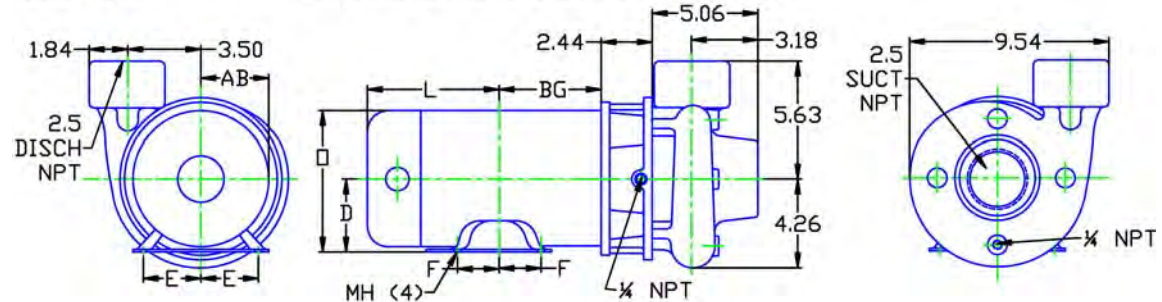
NEMA PREMIUM EFFICIENT JM FRAME 3 PHASE 1750 RPM

HP	Type	Frame	D	E	F	O	AB	BG	L	MH
1	ODP	JM143	3.50	2.75	2.00	6.77	5.67	4.88	4.63	0.34
1.5	ODP	JM145	3.50	2.75	2.50	6.77	5.61	5.38	4.63	0.34
1	TEFC	JM143	3.50	2.75	2.00	7.00	6.25	4.57	5.84	.34
1.5	TEFC	JM145	3.50	2.75	2.50	7.00	6.25	5.06	6.34	.34

See C56 frame for .50 - .75 HP

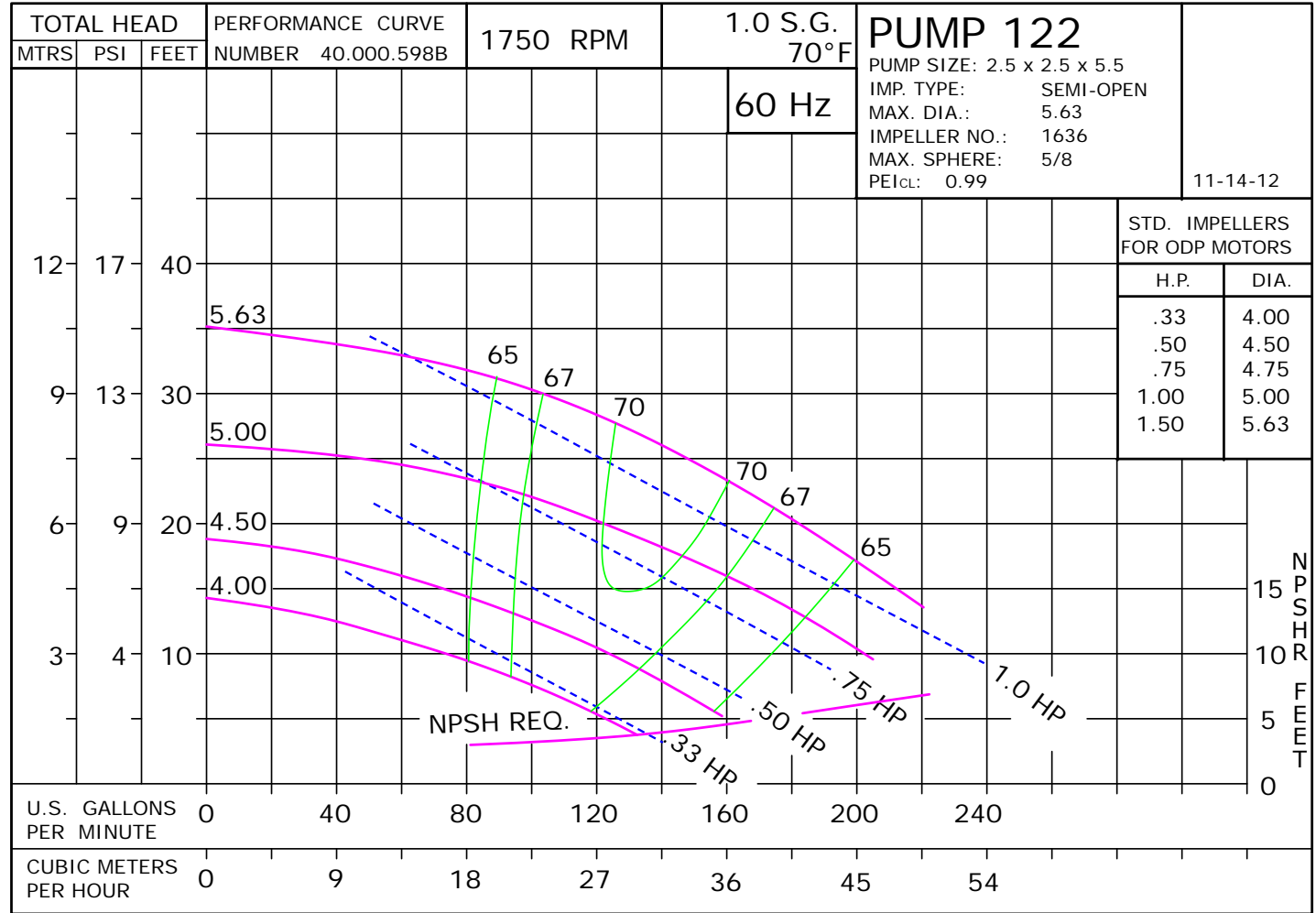
D122JM143

DRAWING DEPICTS 143JM 1HP ODP MOTOR



ALL DIMENSIONS IN INCHES.

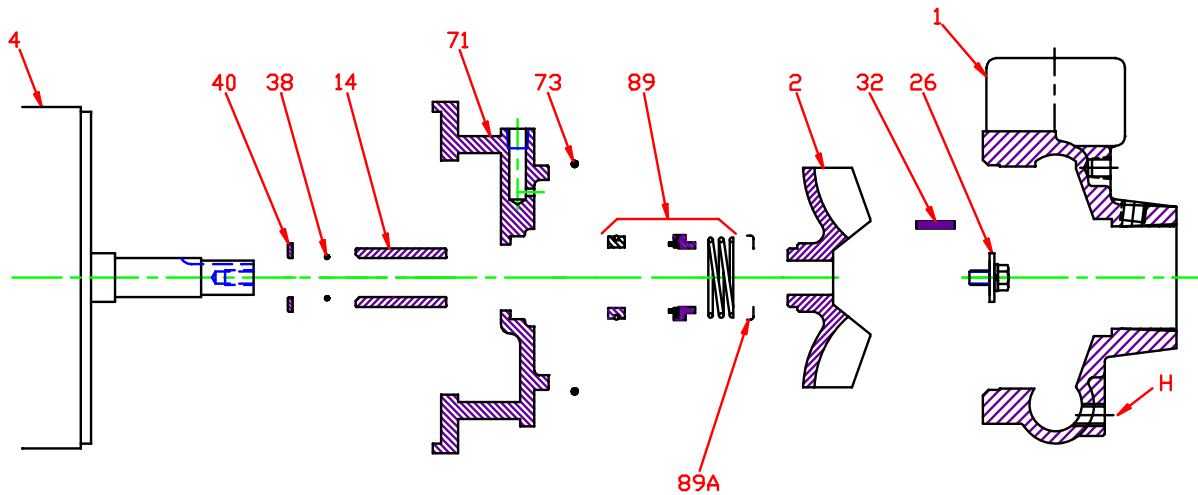
DRAWING REPRESENTS APPROXIMATE PUMP DIMENSIONS. AUTOCAD DRAWING TO SCALE AVAILABLE FROM FACTORY.



015B3DP D122JM143
1221750

122
JM 1221750JM
81.001.504 M19

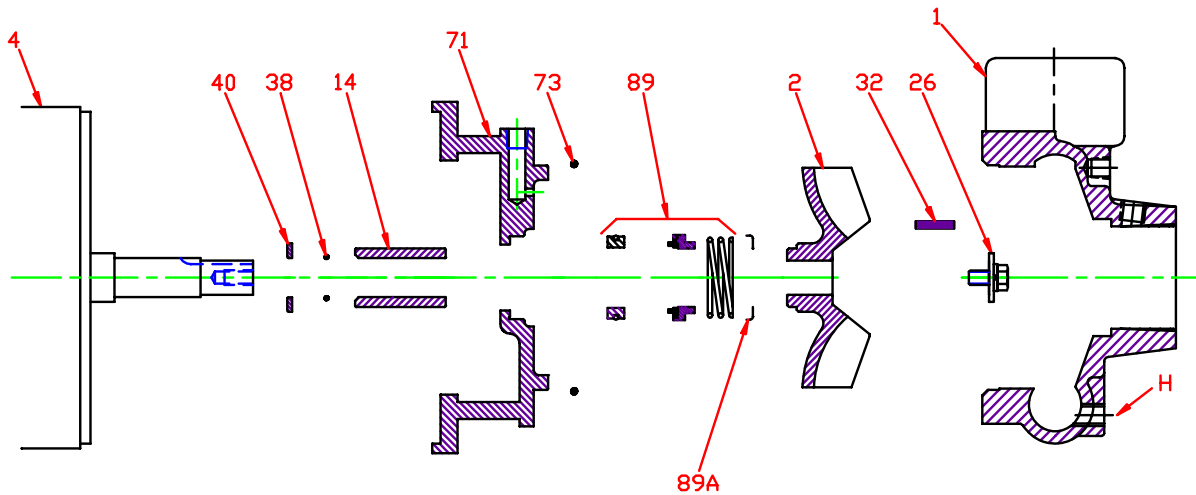
Pump 122 • Bronze • JM Frame • 1750 RPM



KEY NO.	PART NAME	Pump No. 122
1	CASE, BRONZE, 2.5 x 2.5 NPT	130.000.274X
2	IMPELLER, 7/8" KEYED, SEMI-OPEN, SPECIFY DIAMETER: BRONZE	131.000.807
4	MOTOR, JM140/180	See Chart
14*	SHAFT SLEEVE, BRONZE SHAFT SLEEVE, STAINLESS	110.000.178 110.000.192
26*	IMPELLER RETAINER, STAINLESS	118.000.111A
32*	KEY, STAINLESS	102.000.102
38*	O-RING, SHAFT, BUNA O-RING, SHAFT, VITON	116.000.117 116.000.105
40*	FLINGER, STAINLESS	104.000.165
71	ADAPTER, BRONZE, JM140/180	132.000.219X
73*	GASKET, CASE, BUNA	116.000.146
89*	1½" SEALS:	
	BN-CARB/CM	101.000.168
	VN-CARB/CM	101.000.191
	VN-CARB/SIL	101.000.175
	VN-SIL/SIL	101.000.204
	EPDM-CARB/SIL	101.000.175B
89A*	EPDM-SIL/SIL	101.000.204A
89A*	SEAL RETAINER	104.000.202
--	° REPAIR KITS:	
	BN-CARB/CM SEAL	118.000.615
	VN-CARB/CM SEAL (S)	118.000.615A
	VN-CARB/CM SEAL	118.000.615E
	VN-CARB/SIL SEAL	118.000.615B
	VN-SIL/SIL SEAL (S)	118.000.615F
	EPDM-CARB/SIL SEAL	118.000.615D
EPDM-SIL/SIL SEAL	118.000.615G	
* DENOTES COMPONENTS INCLUDED IN REPAIR KIT.		
° ALL REPAIR KITS INCLUDE THE BRONZE SHAFT SLEEVE EXCEPT THE (S) INDICATED, WHICH IS STAINLESS WITH VITON SHAFT O-RING.		

E025JM

Pump 122 • Bronze • JM Frame • 1750 RPM



CONSTRUCTION OPTIONS		
KEY	PART NAME	ALL BRONZE
1	Case	Bronze
2	Impeller	Bronze
14	Shaft Sleeve	Bronze
26	Imp. Retaining Ass'y	Stainless
32	Key	Stainless
38	Shaft O-Ring	BUNA
40	Flinger	Stainless
71	Adapter	Bronze
73	Gasket, Case	BUNA
89	Mechanical Seal, Type 21 BN-CM	Standard
H	Plug, Drain	Brass

E025JM

L12

C1221750JM