



A WILO BRAND

MOTORPUMP™ — 3500 RPM

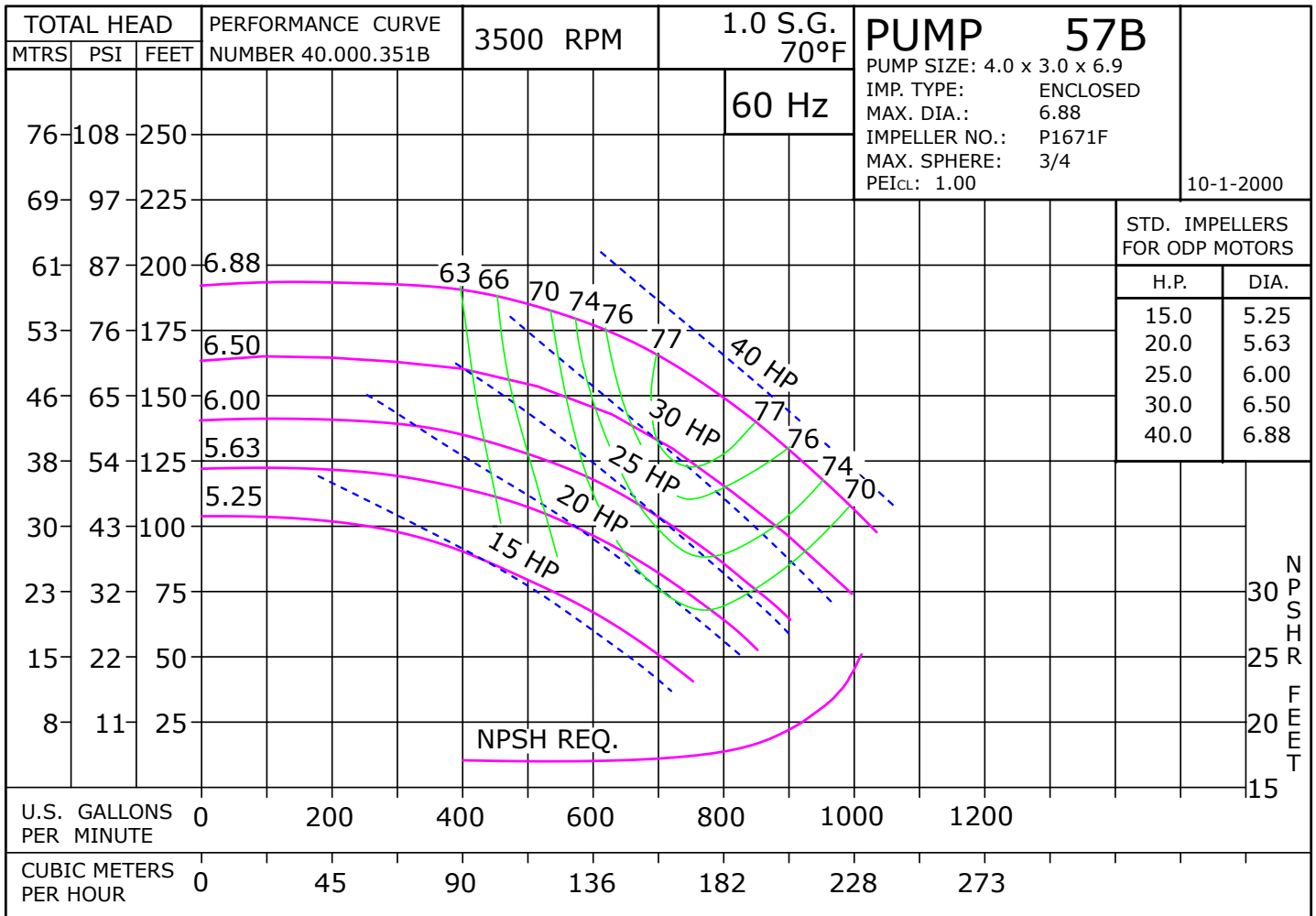
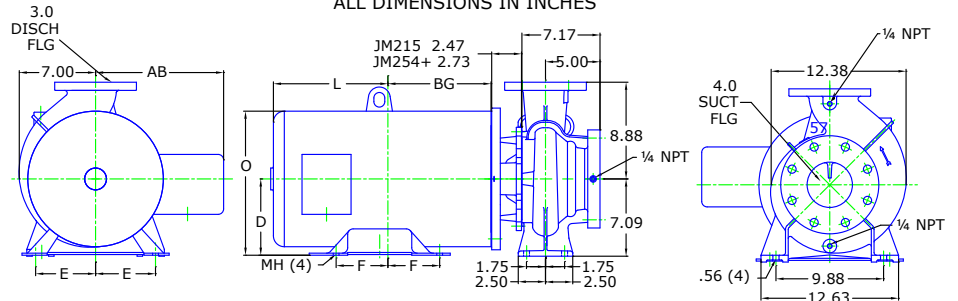
Bronze, 60 Hz, 4 X 3 X 6.9 ANSI FLG

57B JM

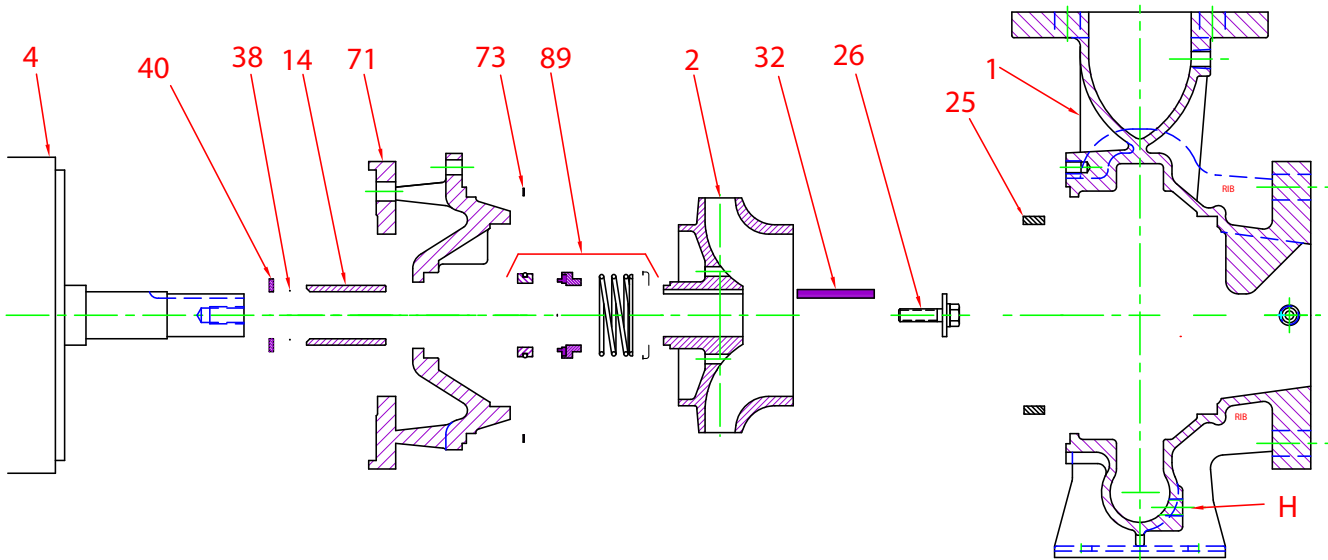


Motor Dimensions										
HP	Type	Frame	D	E	F	O	AB	BG	L	MH
20	ODP	JM254	6.25	5.00	4.13	12.00	9.49	8.88	9.06	0.53
25	ODP	JM256	6.25	5.00	5.00	12.00	9.49	9.75	8.19	0.53
30	ODP	JM284	6.97	5.50	5.50	13.59	11.37	10.25	10.81	0.53
40	ODP	JM286	6.97	5.50	5.50	13.59	11.37	10.25	12.06	0.53
20, 25	TEFC	JM256	6.25	5.00	5.00	12.76	10.48	9.01	11.70	0.53
30	TEFC	JM286	7.00	5.50	5.50	14.11	11.07	10.02	13.04	0.53
40	TEFC	JM324	8.00	6.25	5.25	15.93	12.58	10.25	13.83	0.66

DRAWING DEPICTS JM284 30HP ODP MOTOR
ALL DIMENSIONS IN INCHES



Parts

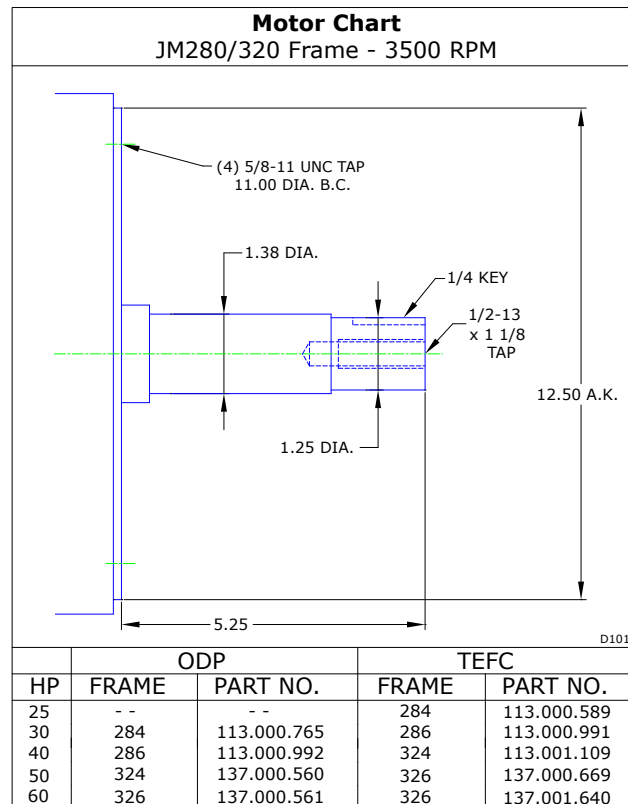
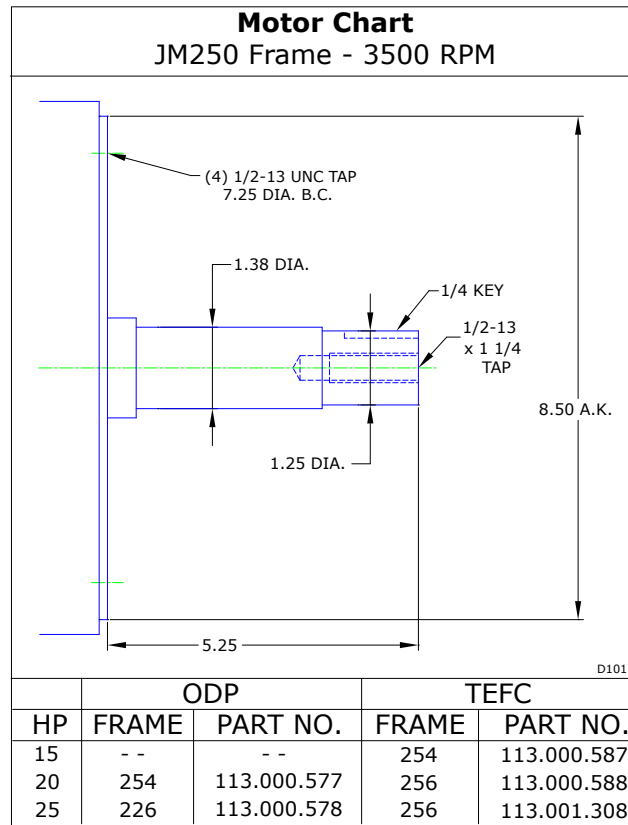


Key No.	Part Name	Part Number
1+	Case 57B, Bronze, 4.00 X 3.00 FLG Bronze Wear Ring & plugs	137.000.533X
2	Impeller 57, Bronze, Specify Dia., 6.87 Max 1-1/4" Key	137.000.133
4	Motor chart, JM250	See Chart
	Motor chart, JM280/320	See Chart
14*	Shaft Sleeve, Bronze	110.000.366
	Shaft Sleeve, Stainless	110.000.365
25	Wear ring, Bronze	103.000.197
26*	Impeller retaining assembly, Stainless	118.000.640
32*	Key, Stainless	102.000.257
38*	O-ring, Shaft, Buna	116.000.218
	O-ring, Shaft, Viton	116.000.218A
40*	Flinger, Stainless	104.000.200
71	Adapter, Bronze, JM250 1-3/4" Seal	137.000.534
	Adapter, Bronze, JM280 1-3/4" Seal	137.000.535
73*	Gasket, Case, Fiber	116.000.273
89*	Seal, 1-3/4", Type 21, BN-CARB/CM with retainer	101.000.196
	Seal, 1-3/4", Type 21, EPDM-CARB/SIL with retainer	101.000.196B
	Seal, 1-3/4", Type 21, EPDM-SIL/SIL with retainer	137.001.555
	Seal, 1-3/4", Type 21, VN-CARB/CM with retainer	101.000.216
	Seal, 1-3/4", Type 21, VN-CARB/SIL with retainer	101.000.221
	Seal, 1-3/4", Type 21, VN-SIL/SIL with retainer	101.000.231
KIT	Repair Kit, 1-3/4" BN-CARB/CM Seal, Brz sleeve, BN O-ring	118.000.385
	Repair Kit, 1-3/4" EPDM-CARB/SIL Seal, Brz sleeve, BN O-ring	118.000.385C
	Repair Kit, 1-3/4" EPDM-SIL/SIL Seal, Brz sleeve, BN O-ring	118.000.385F
	Repair Kit, 1-3/4" VN-CARB/CM Seal, Stn sleeve, VN O-ring	118.000.385A
	Repair Kit, 1-3/4" VN-CARB/SIL Seal, Brz sleeve, BN O-ring	118.000.385B
	Repair Kit, 1-3/4" VN-SIL/SIL Seal, Stn sleeve, VN O-ring	118.000.385E

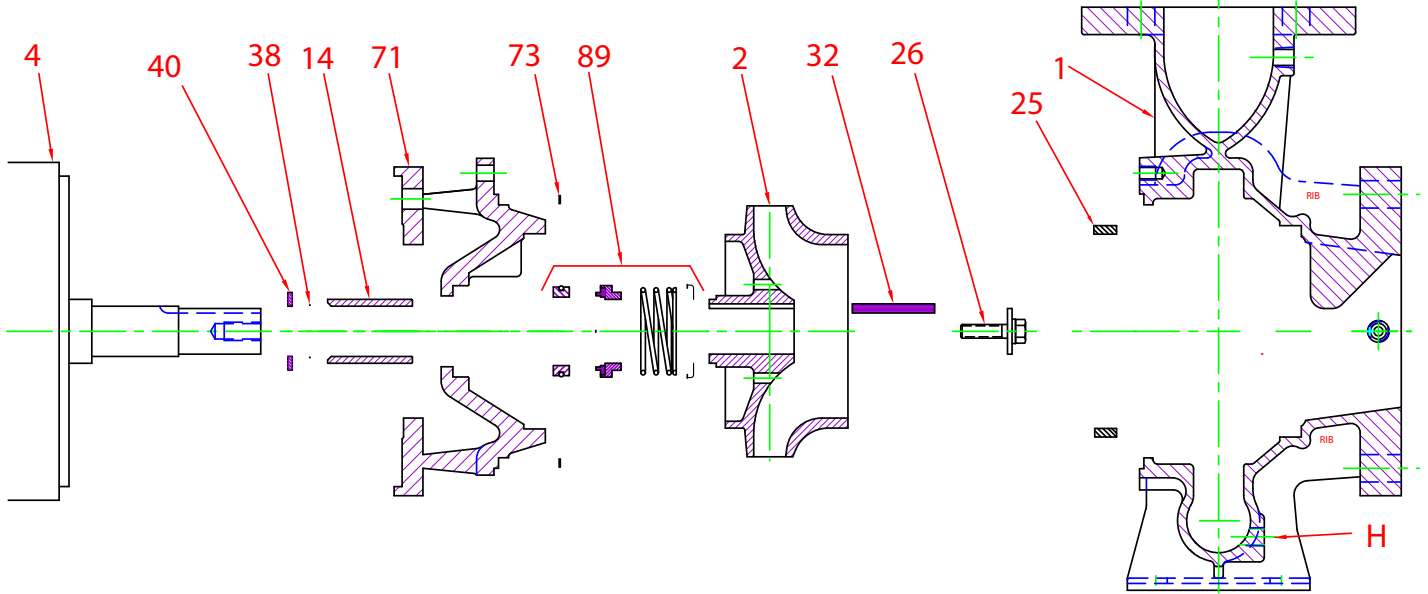
* Denotes components included in repair kit.

+ Includes bronze wear ring.

Motor Charts



Construction Options



Key No.	Part Name	All Bronze
1	Case	Bronze
2	Impeller	Bronze
14	Shaft Sleeve	Bronze
25	Wear Ring	Bronze
26	Impeller Retaining Assy	Stainless
32	Key	Stainless
38	Shaft O-Ring	Buna
40	Flinger	Stainless
71	Adapter	Bronze
73	Gasket, Case	Fiber
89	Mechanical Seal, Type 21 BN-CM	Standard
89A	Seal Spring Retainer	Stainless
H	Plug, Drain	Brass