



A WILO BRAND

MOTORPUMP™ — 3500 RPM

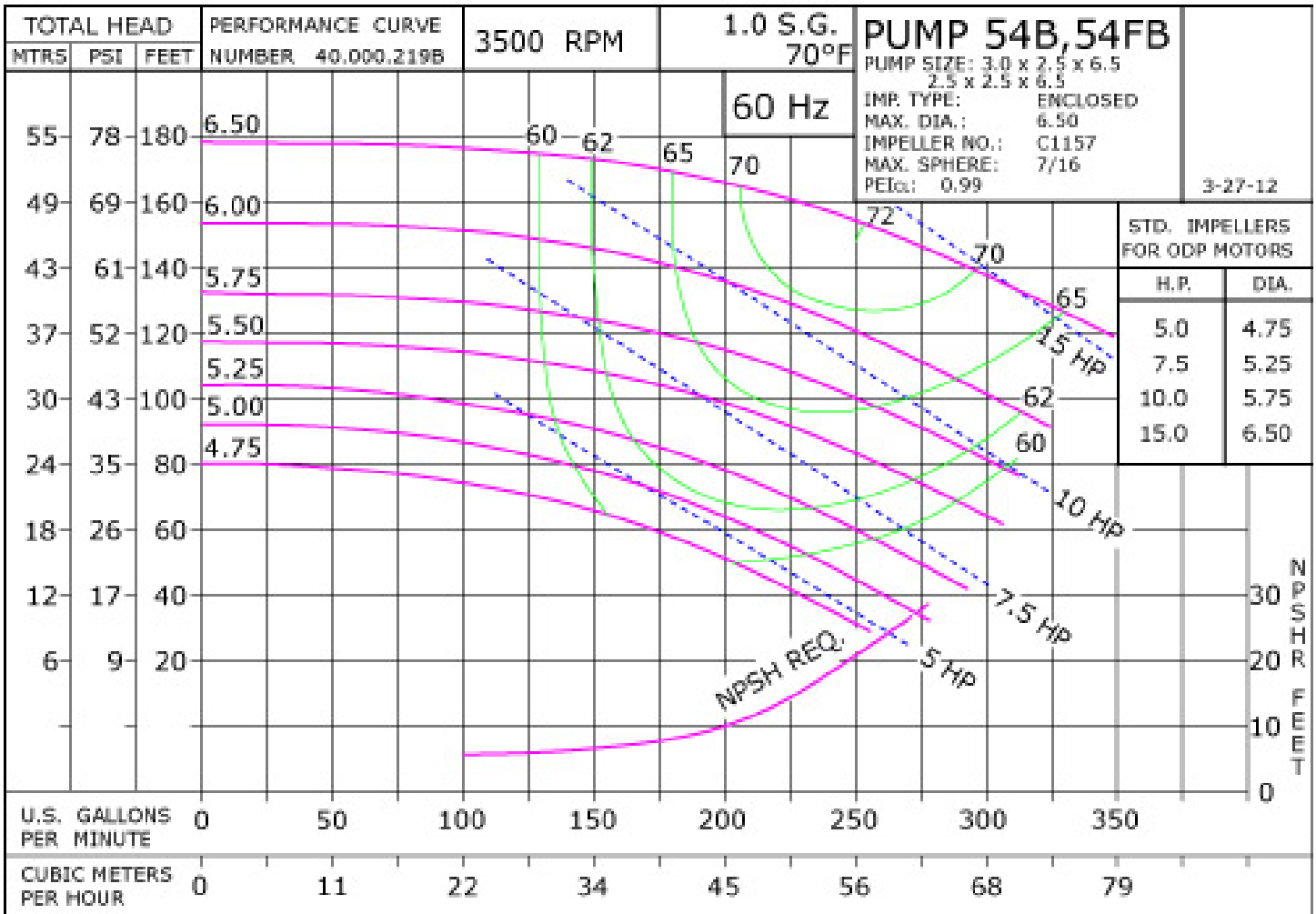
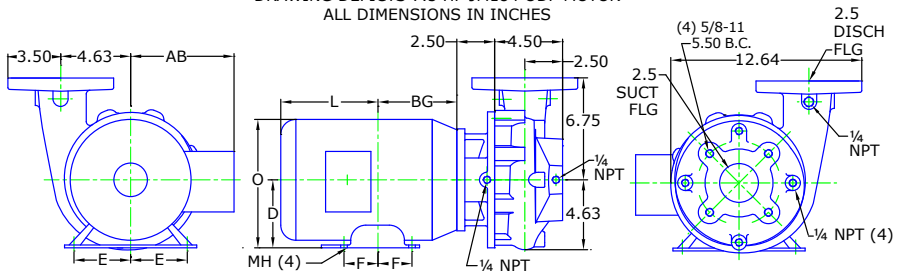
Bronze, 60 Hz, 2.5 X 2.5 X 6.5 FLG

54FB JM

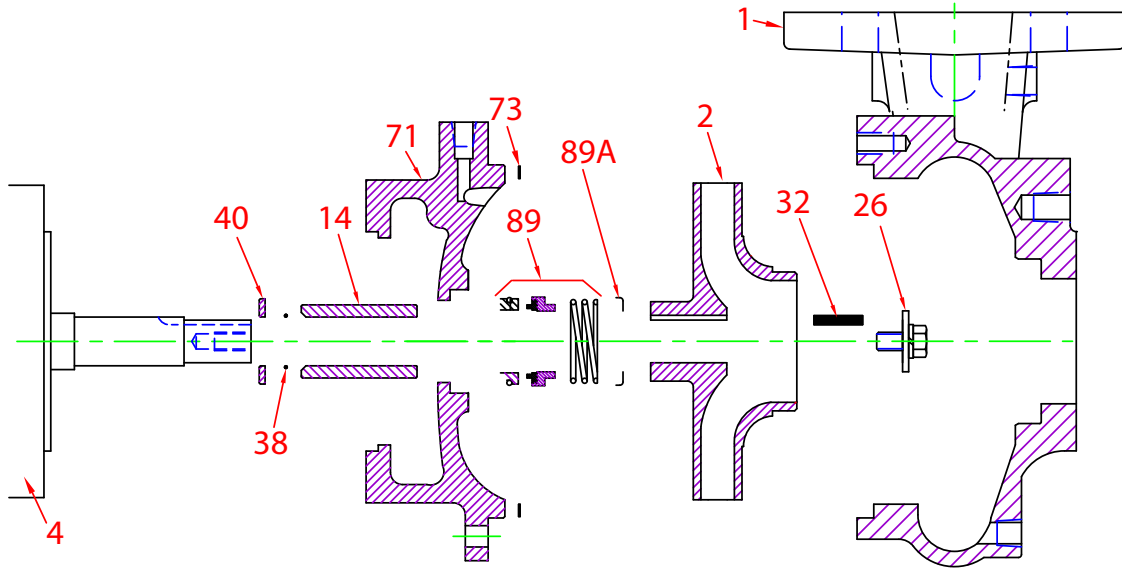


| Motor Dimensions | | | | | | | | | | |
|------------------|------|-------|------|------|------|-------|------|------|------|------|
| HP | Type | Frame | D | E | F | O | AB | BG | L | MH |
| 5 | ODP | JM182 | 4.50 | 3.75 | 2.25 | 8.44 | 6.74 | 5.75 | 5.12 | 0.41 |
| 7.5 | ODP | JM184 | 4.50 | 3.75 | 2.25 | 8.44 | 6.74 | 5.75 | 6.56 | 0.41 |
| 10 | ODP | JM213 | 5.25 | 4.25 | 2.75 | 10.03 | 7.92 | 7.00 | 6.94 | 0.43 |
| 15 | ODP | JM215 | 5.25 | 4.25 | 3.50 | 10.03 | 7.92 | 7.75 | 6.19 | 0.43 |
| 5, 7.5 | TEFC | JM184 | 4.50 | 3.75 | 2.75 | 9.34 | 7.57 | 5.51 | 7.64 | 0.41 |
| 10, 15 | TEFC | JM215 | 5.25 | 4.25 | 3.50 | 10.37 | 8.19 | 6.77 | 9.16 | 0.41 |

DRAWING DEPICTS 7.5 HP JM184 ODP MOTOR
ALL DIMENSIONS IN INCHES



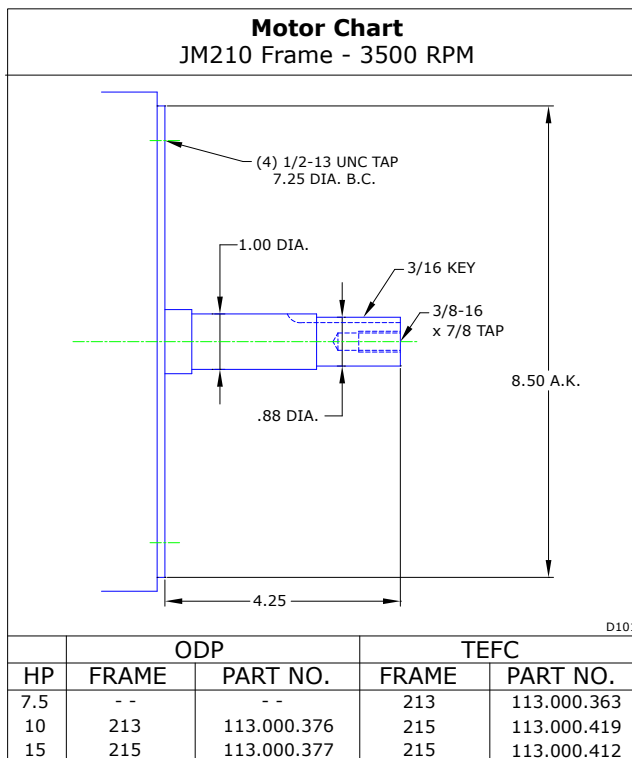
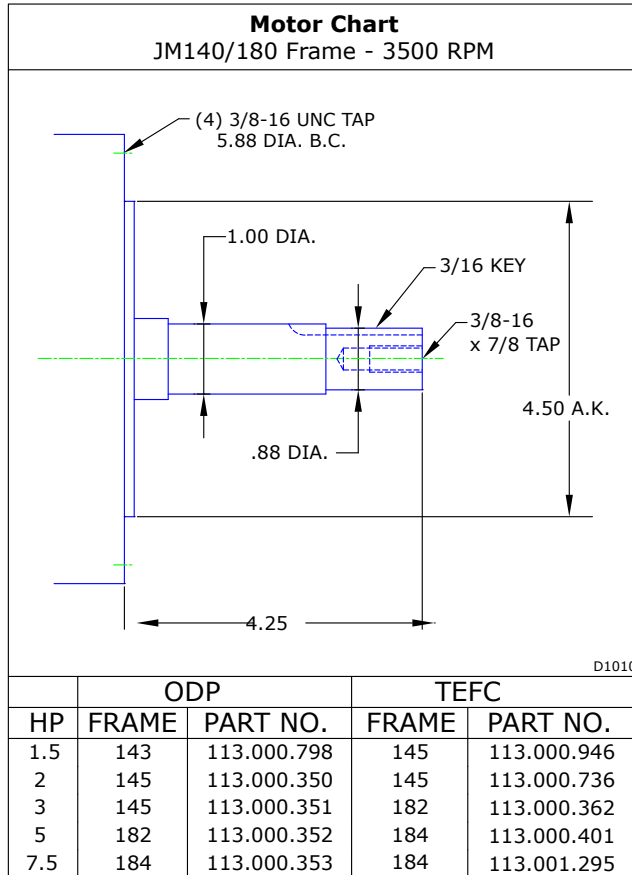
Parts



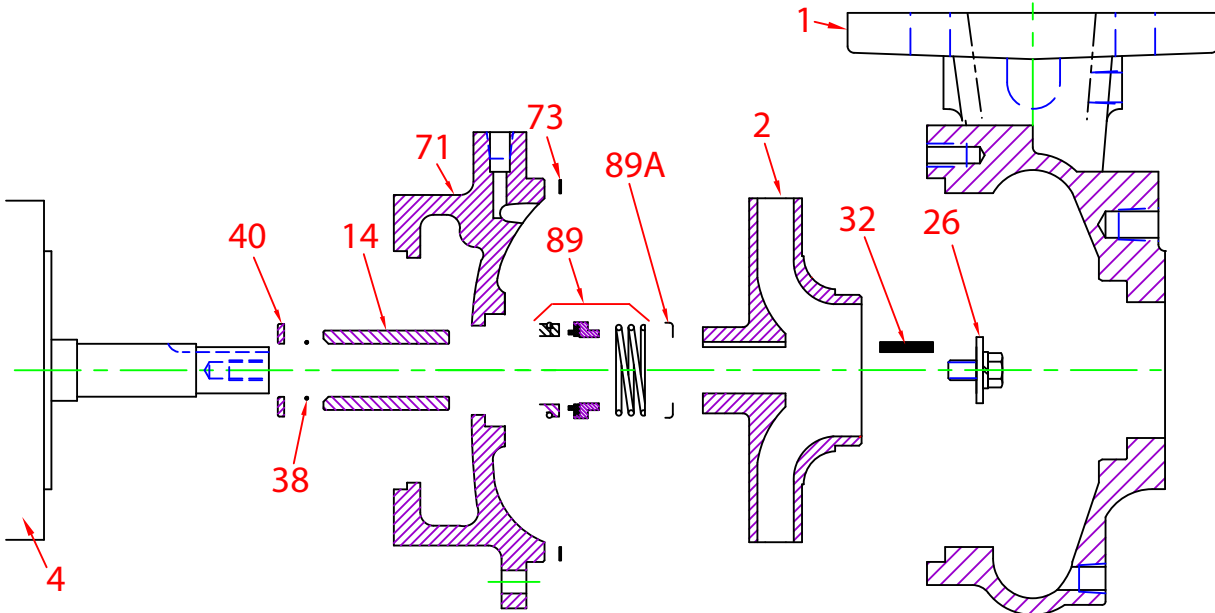
| Key No. | Part Name | Part Number |
|---------|--|--------------|
| 1 | Case 53/54FB, Bronze, 2.50 X 2.50 FLG Brass plugs | 130.000.220X |
| 2 | Impeller 54, Bronze, Specify Dia., 6.50 Max 7/8" Key | 131.000.825 |
| 4 | Motor chart, JM140/180 | See Chart |
| | Motor chart, JM210 | See Chart |
| 14* | Shaft sleeve, Bronze | 110.000.178 |
| | Shaft sleeve, Stainless | 110.000.192 |
| 26* | Impeller retaining assembly, Stainless | 118.000.163A |
| 32* | Key, Stainless | 102.000.102 |
| 38* | O-ring, Shaft, Buna | 116.000.117 |
| | O-ring, Shaft, Viton | 116.000.105 |
| 40* | Flinger, Stainless | 104.000.165 |
| 71 | Adapter, Bronze, JM140/180 1-1/2" Seal, with Brass plug | 132.000.228X |
| | Adapter, Bronze, JM210 1-1/2" Seal, with Brass plug | 132.000.223X |
| 73* | Gasket, Case, Fiber | 116.000.157 |
| 89* | Seal, 1-1/2", Type 21, BN-CARB/CM | 101.000.168 |
| | Seal, 1-1/2", Type 21, EPDM-CARB/SIL | 101.000.175B |
| | Seal, 1-1/2", Type 21, EPDM-SIL/SIL | 101.000.204A |
| | Seal, 1-1/2", Type 21, VN-CARB/CM | 101.000.191 |
| | Seal, 1-1/2", Type 21, VN-CARB/SIL | 101.000.175 |
| | Seal, 1-1/2", Type 21, VN-SIL/SIL | 101.000.204 |
| 89A* | Seal spring retainer, Stainless | 104.000.174 |
| KIT | Repair Kit, 1-1/2" BN-CARB/CM Seal, Brz sleeve, BN O-ring | 118.000.344 |
| | Repair Kit, 1-1/2" EPDM-CARB/SIL Seal, Brz sleeve, BN O-ring | 118.000.344C |
| | Repair Kit, 1-1/2" EPDM-SIL/SIL Seal, Brz sleeve, BN O-ring | 118.000.344D |
| | Repair Kit, 1-1/2" VN-CARB/CM Seal, Brz sleeve, BN O-ring | 118.000.344K |
| | Repair Kit, 1-1/2" VN-CARB/CM Seal, Stn sleeve, VN O-ring | 118.000.344A |
| | Repair Kit, 1-1/2" VN-CARB/SIL Seal, Brz sleeve, BN O-ring | 118.000.344B |
| | Repair Kit, 1-1/2" VN-SIL/SIL Seal, Stn sleeve, VN O-ring | 118.000.344F |

* Denotes components included in repair kit.

Motor Charts



Construction Options



| Construction Options | | |
|----------------------|--------------------------------------|------------|
| Key No. | Part Name | All Bronze |
| 1 | Case | Bronze |
| 2 | Impeller | Bronze |
| 14 | Shaft Sleeve | Bronze |
| 26 | Impeller Retaining Assy | Stainless |
| 32 | Key | Stainless |
| 38 | Shaft O-Ring | Buna |
| 40 | Flinger | Stainless |
| 71 | Adapter | Bronze |
| 73 | Gasket, Case | Fiber |
| 89 | Mechanical Seal, Type 21, BN-CARB/CM | Standard |
| 89A | Seal Spring Retainer | Stainless |
| H | Plug, Drain | Brass |