

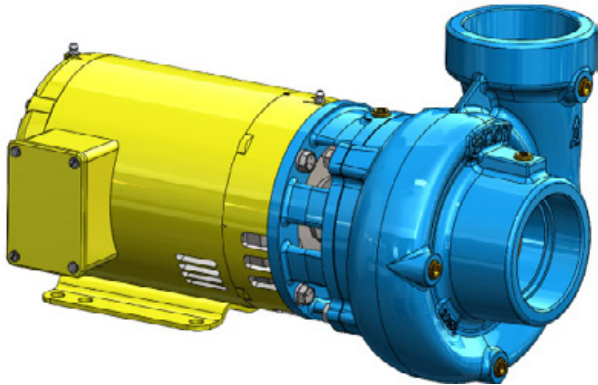


A WILO BRAND

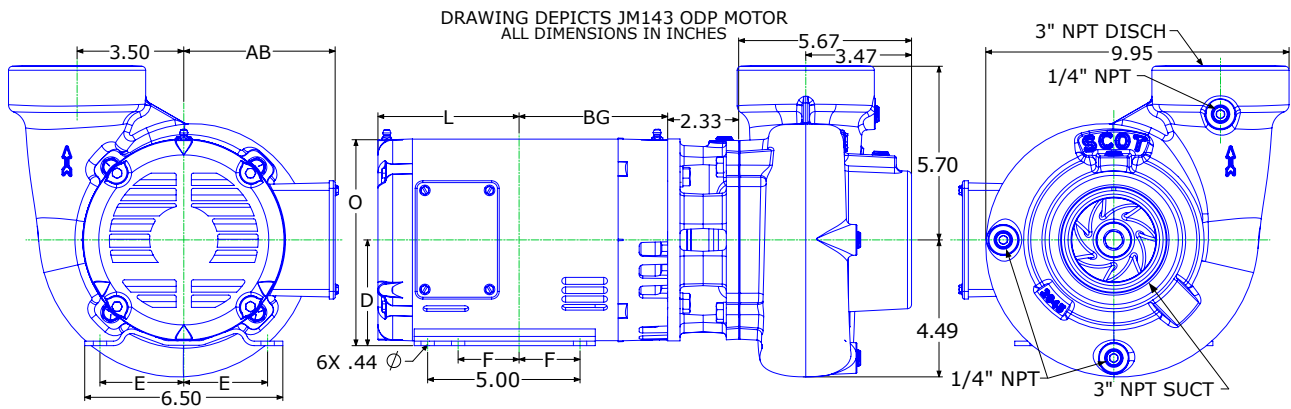
MOTORPUMP™ — 1750 RPM

Iron, 60 Hz, 3 X 3 X 5.63 NPT

604 JM

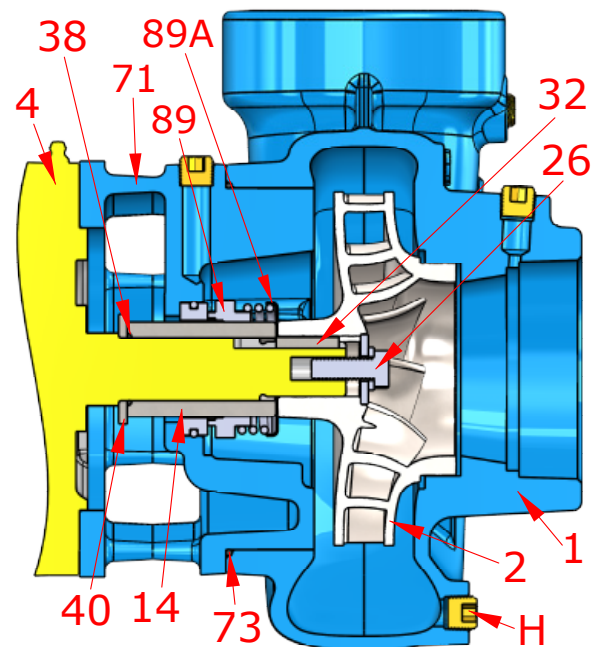


| MOTOR DIMENSIONS | | | | | | | | | | |
|--------------------------------|------|-------|------|------|------|------|------|------|------|------|
| NEMA JM FRAME 3 PHASE 1750 RPM | | | | | | | | | | |
| HP | Type | Frame | D | E | F | O | AB | BG | L | MH |
| 1 | ODP | JM143 | 3.50 | 2.75 | 2.00 | 6.72 | 5.87 | 4.75 | 4.70 | 0.34 |
| 1.5 | ODP | JM143 | 3.50 | 2.75 | 2.50 | 6.72 | 5.87 | 5.25 | 5.36 | 0.34 |
| 1 | TEFC | JM143 | 3.50 | 2.75 | 2.00 | 7.00 | 6.25 | 4.57 | 5.84 | 0.34 |
| 1.5 | TEFC | JM145 | 3.50 | 2.75 | 2.50 | 7.00 | 6.25 | 5.06 | 6.34 | 0.34 |



Construction Options

| Key | Part Name | Standard | Fitted | All Iron |
|-----|--------------------------------|--------------|--------------|--------------|
| 1 | Case | Ductile Iron | Ductile Iron | Ductile Iron |
| 2 | Impeller | 304SS | 304SS | 304SS |
| 14 | Shaft Sleeve | Bronze | 304SS | 304SS |
| 26 | Impeller Retaining Assembly | Stainless | Stainless | Stainless |
| 32 | Key | Stainless | Stainless | Stainless |
| 38 | O-Ring, Shaft | Buna | Buna | Buna |
| 40 | Flinger | Stainless | Stainless | Stainless |
| 71 | Adapter | Ductile Iron | Ductile Iron | Ductile Iron |
| 73 | Gasket, Case | Buna | Buna | Buna |
| 89 | Mechanical Seal, Type 21 BN-CM | Standard | Standard | Standard |
| 89A | Seal Retainer | Stainless | Stainless | Stainless |
| H | Plug, Drain | Brass | Plated Steel | Plated Steel |





A WILO BRAND

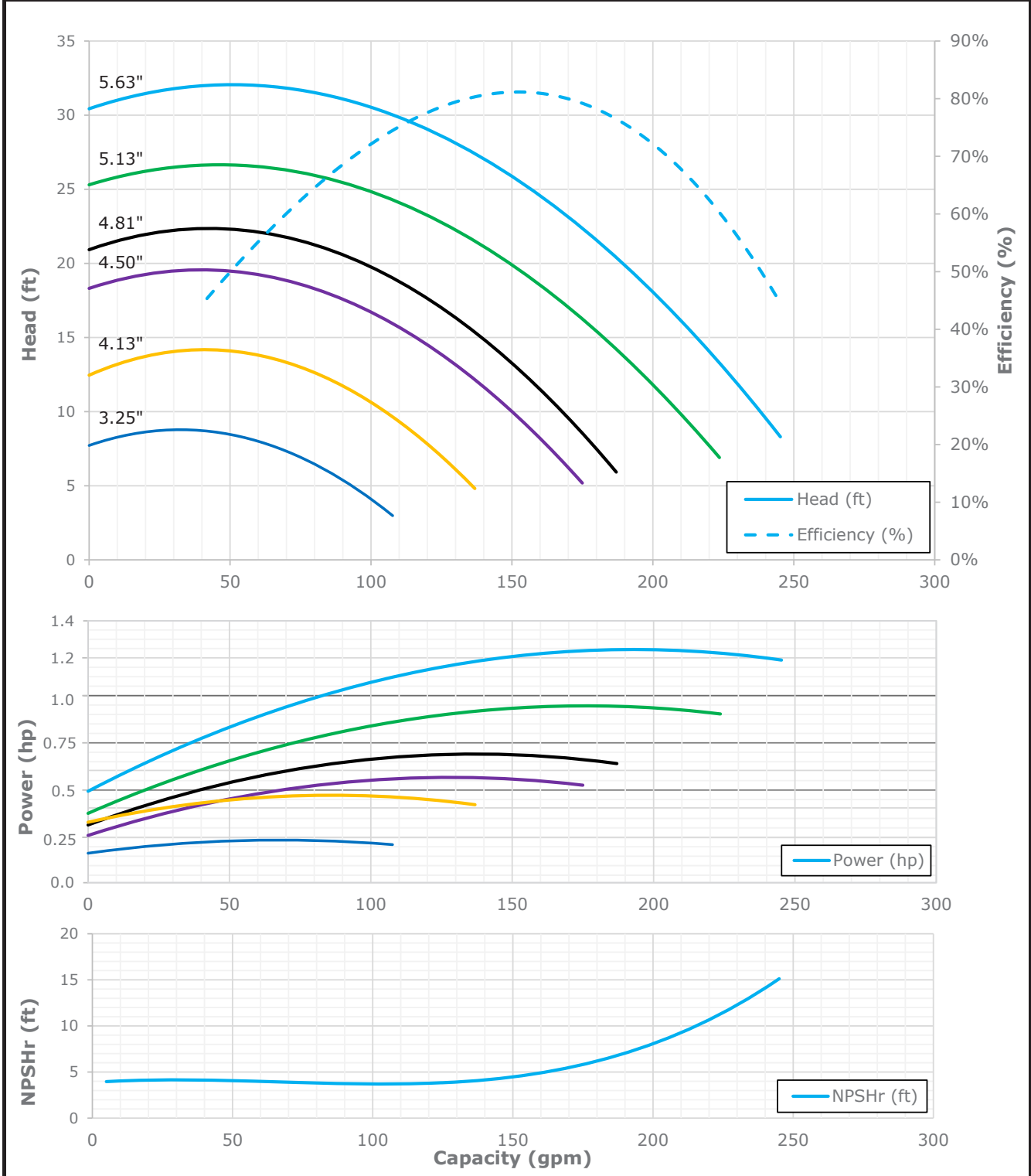
MOTORPUMP™ — 1750 RPM

Iron, 60 Hz, 3 X 3 X 5.63 NPT

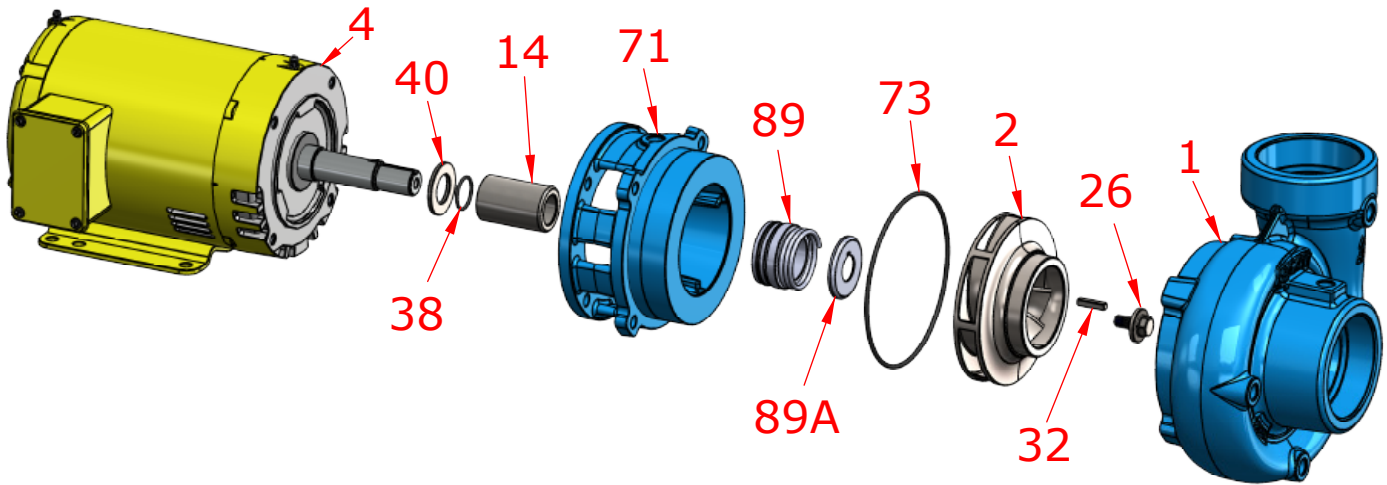
604 JM

Performance Curve

| | | | | | |
|--------------------|------------------|-----------|---------------------|----------|------------------------|
| Performance Curve | Pump 604 | 1.00 S.G. | Imp. Type: Enclosed | 1750 RPM | Max Sphere: 13/32" |
| Number: 40.000.818 | 3.0 X 3.0 X 5.63 | 70.0 °F | 5/17/2021 | 60 Hz | PEI _{CL} 0.97 |



Parts



| Key | Part Name | Part Number |
|------|--------------------------------------------------------------|--------------|
| 1 | Case 604, Ductile Iron, 3.00 X 3.00 NPT Brass plugs | 3301067X |
| 2 | Impeller 604, 304SS, Specify Dia., 5.62 Max 7/8" Key | 3301078 |
| 4 | Motor chart, JM140/180 | See Chart |
| 14* | Shaft sleeve, Bronze | 110.000.178 |
| 14* | Shaft sleeve, Stainless | 110.000.192 |
| 26* | Impeller retaining assembly, Stainless | 3301394 |
| 32* | Key, Stainless | 102.000.102 |
| 38* | O-ring, Shaft, Buna | 116.000.117 |
| 38* | O-ring, Shaft, Viton | 116.000.105 |
| 40* | Flinger, Stainless | 104.000.165 |
| 71 | Adapter, Ductile Iron, JM140/180 1-1/2" Seal, Brass plug | 3301071X |
| 73* | Gasket, Case, Buna | 116.000.146 |
| 89* | Seal, 1-1/2", Type 21, BN-CARB/CM | 101.000.168 |
| | Seal, 1-1/2", Type 21, EPDM-CARB/SIL | 101.000.175B |
| | Seal, 1-1/2", Type 21, EPDM-SIL/SIL | 101.000.204A |
| | Seal, 1-1/2", Type 21, VN-CARB/CM | 101.000.191 |
| | Seal, 1-1/2", Type 21, VN-CARB/SIL | 101.000.175 |
| | Seal, 1-1/2", Type 21, VN-SIL/SIL | 101.000.204 |
| 89A* | Seal spring retainer, Stainless | 104.000.174 |
| KIT | Repair Kit, 1-1/2" BN-CARB/CM Seal, Brz sleeve, BN O-ring | 3301413 |
| | Repair Kit, 1-1/2" EPDM-CARB/SIL Seal, Brz sleeve, BN O-ring | 3301416 |
| | Repair Kit, 1-1/2" EPDM-SIL/SIL Seal, Brz sleeve, BN O-ring | 3301419 |
| | Repair Kit, 1-1/2" VN-CARB/CM Seal, Brz sleeve, BN O-ring | 3301420 |
| | Repair Kit, 1-1/2" VN-CARB/CM Seal, Stn sleeve, VN O-ring | 3301414 |
| | Repair Kit, 1-1/2" VN-CARB/SIL Seal, Brz sleeve, BN O-ring | 3301415 |
| | Repair Kit, 1-1/2" VN-SIL/SIL Seal, Stn sleeve, VN O-ring | 3301418 |

* Denotes components included in repair kit.

Motor Charts

