

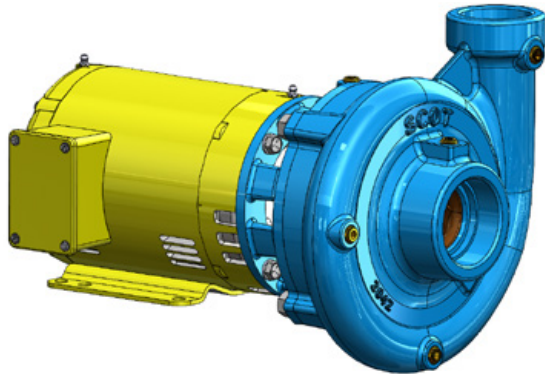


A WILO BRAND

MOTORPUMP™ — 1750 RPM

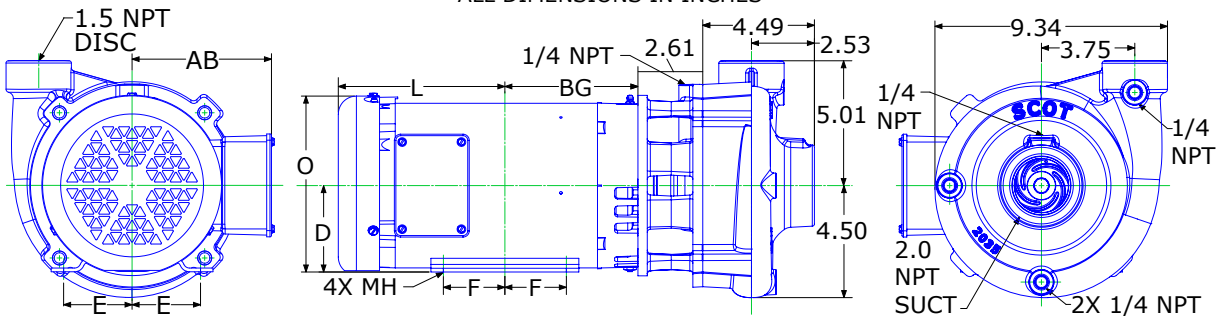
Iron, 60 Hz, 2.5 X 2 X 6.5 NPT

704 JM



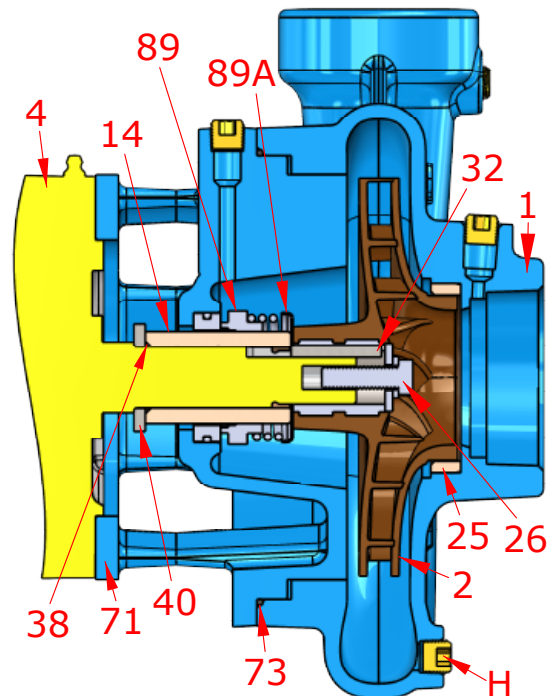
MOTOR DIMENSIONS										
NEMA JM FRAME 3 PHASE 1750 RPM										
HP	Type	Frame	D	E	F	O	AB	BG	L	MH
1	ODP	JM143	3.50	2.75	2.00	6.72	5.87	4.75	4.70	0.34
1.5	ODP	JM143	3.50	2.75	2.50	6.72	5.87	5.25	5.36	0.34
1	TEFC	JM143	3.50	2.75	2.00	7.00	6.25	4.57	5.84	0.34
1.5	TEFC	JM145	3.50	2.75	2.50	7.00	6.25	5.06	6.34	0.34

DRAWING DEPICTS JM143 3 HP TEFC MOTOR
ALL DIMENSIONS IN INCHES



Construction

Key	Part Name	Standard Fitted	All Iron
1	Case	Iron	Iron
2	Impeller	PPS-GF	PPS-GF
14	Shaft Sleeve	Bronze	Stainless
25	Wear Ring	Bronze	Steel
26	Impeller Retaining Assembly	Stainless	Stainless
32	Key	Stainless	Stainless
38	O-Ring, Shaft	Buna	Buna
40	Flinger	Stainless	Stainless
71	Adapter	Iron	Iron
73	Gasket, Case	Buna	Buna
89	Mechanical Seal, Type 21 BN-CM	Standard	Standard
89A	Seal Retainer	Stainless	Stainless
H	Plug, Drain	Brass	Plated Steel





A WILO BRAND

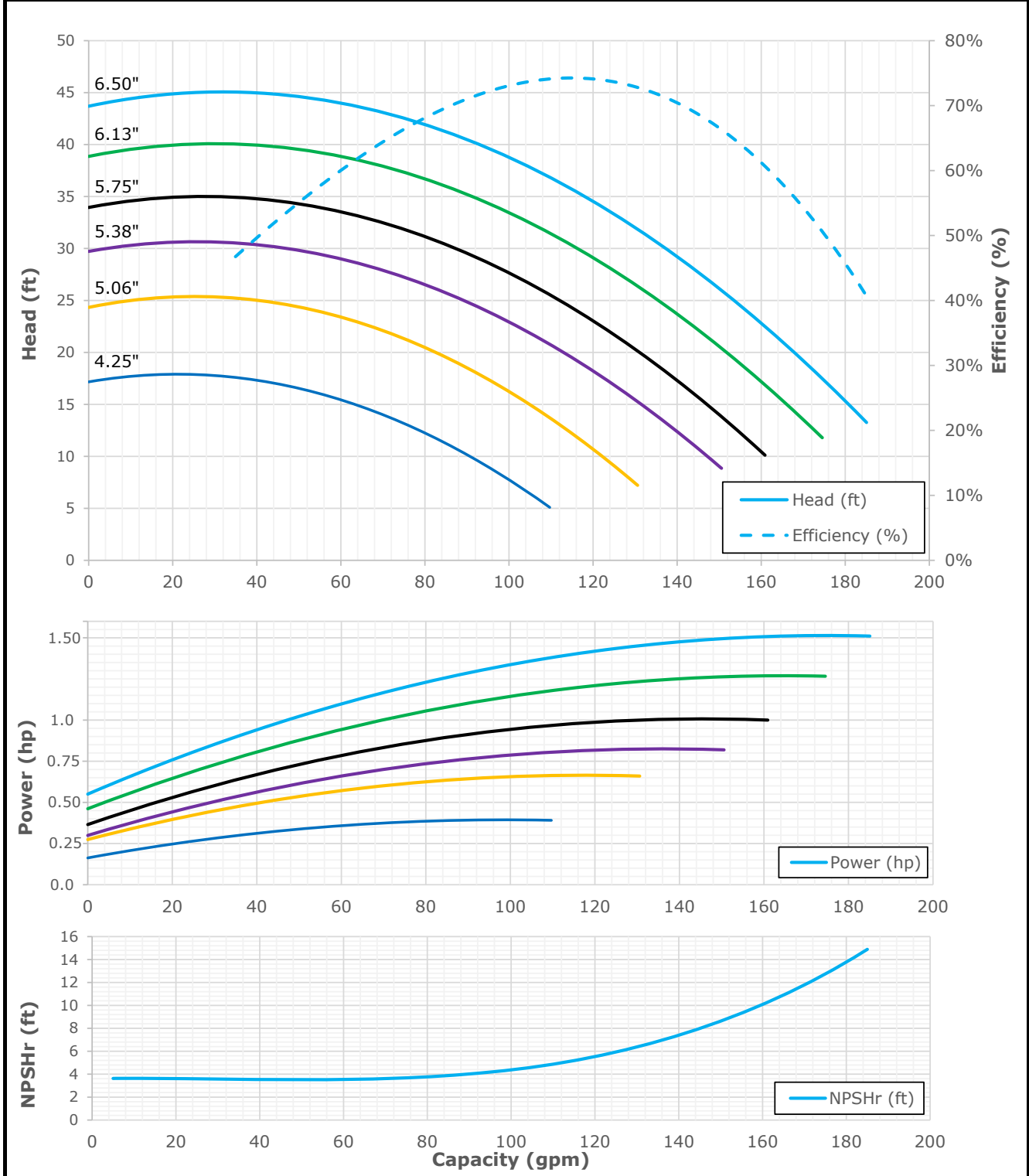
MOTORPUMP™ — 1750 RPM

Iron, 60 Hz, 2.5 X 2 X 6.5 NPT

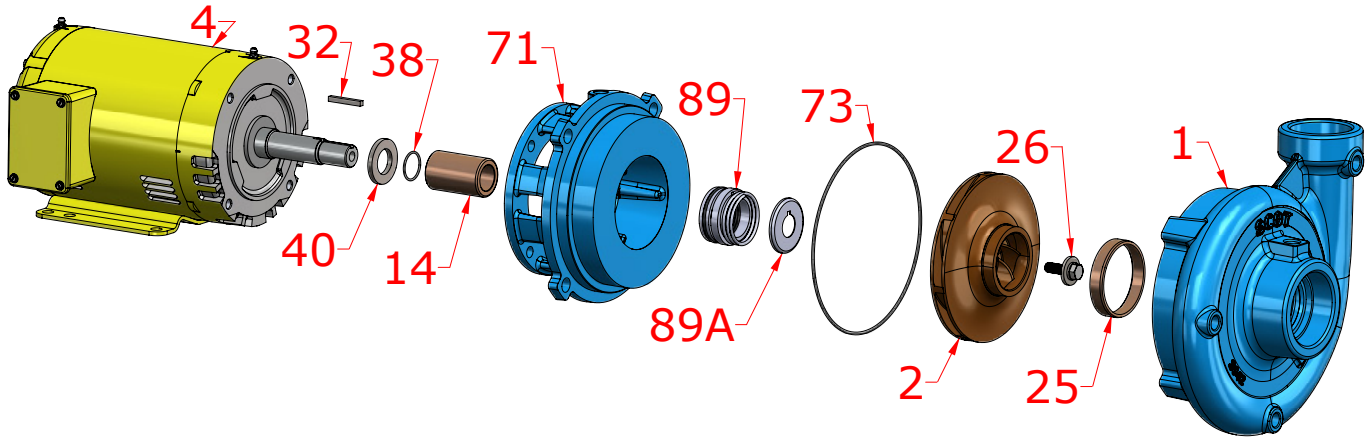
704 JM

Performance Curve

Performance Curve Number: 40.000.822	Pump 704 2.5 X 2.0 X 6.5	1.00 S.G. 70.0 °F	Imp. Type: Enclosed 5/18/2021	1750 RPM 60 Hz	Max Sphere: 3/8" PEI _{CL} 0.93
--------------------------------------	------------------------------------	----------------------	----------------------------------	-------------------	--



Parts



Key	Part Name	Part Number
1+	Case 704, Iron, 2.5 X 2.0 NPT Bronze Wear Ring and plugs	3301061X
2	Impeller 704, PPS-GF, Specify Dia., 6.50 Max 7/8" Key	3301110
4	Motor chart, JM140/180	See Chart
14*	Shaft sleeve, Bronze	110.000.178
	Shaft sleeve, Stainless	110.000.192
25	Wear ring, Bronze	3301117
	Wear ring, Steel	3301116
26*	Impeller retaining assembly, Stainless	118.000.680
32*	Key, Stainless	137.003.137
38*	O-ring, Shaft, Buna	116.000.117
	O-ring, Shaft, Viton	116.000.105
40*	Flinger, Stainless	104.000.256
71	Adapter, Iron, JM140/180 1-1/2" Seal, Brass plug	3301153X
73*	Gasket, Case, Buna	137.003.117
89*	Seal, 1.5" Type 21, BN-CARB/CM	101.000.168
	Seal, 1.5" Type 21, EPDM-CARB/SIL	101.000.175B
	Seal, 1.5" Type 21, EPDM-SIL/SIL	101.000.204A
	Seal, 1.5" Type 21, VN-CARB/CM	101.000.191
	Seal, 1.5" Type 21, VN-CARB/SIL	101.000.175
	Seal, 1.5" Type 21, VN-SIL/SIL	101.000.204
89A*	Seal spring retainer, Stainless	104.000.174
KIT	Repair Kit, 1.5" BN-CARB/CM Seal, Brz sleeve, BN O-ring	118.000.681
	Repair Kit, 1.5" EPDM-CARB/SIL Seal, Brz sleeve, BN O-ring	118.000.681C
	Repair Kit, 1.5" EPDM-SIL/SIL Seal, Brz sleeve, BN O-ring	118.000.681D
	Repair Kit, 1.5" VN-CARB/CM Seal, Brz sleeve, BN O-ring	118.000.681K
	Repair Kit, 1.5" VN-CARB/CM Seal, Stn sleeve, VN O-ring	118.000.681A
	Repair Kit, 1.5" VN-CARB/SIL Seal, Brz sleeve, BN O-ring	118.000.681B
	Repair Kit, 1.5" VN-SIL/SIL Seal, Stn sleeve, VN O-ring	118.000.681F

* Denotes components included in repair kit.

+ Includes bronze wear ring. For steel, replace suffix "X" with "X1".

Motor Charts

