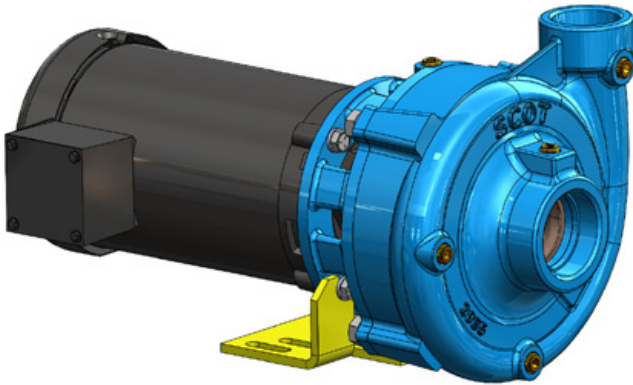




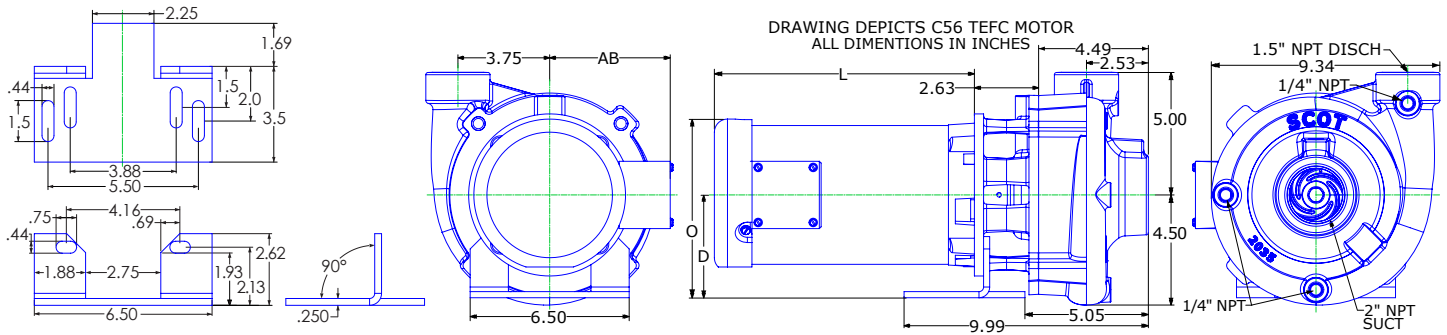
A WILO BRAND

MOTORPUMP™ — 1750 RPM 701 C56

Iron, 60 Hz, 2 X 1.5 X 6.5 NPT

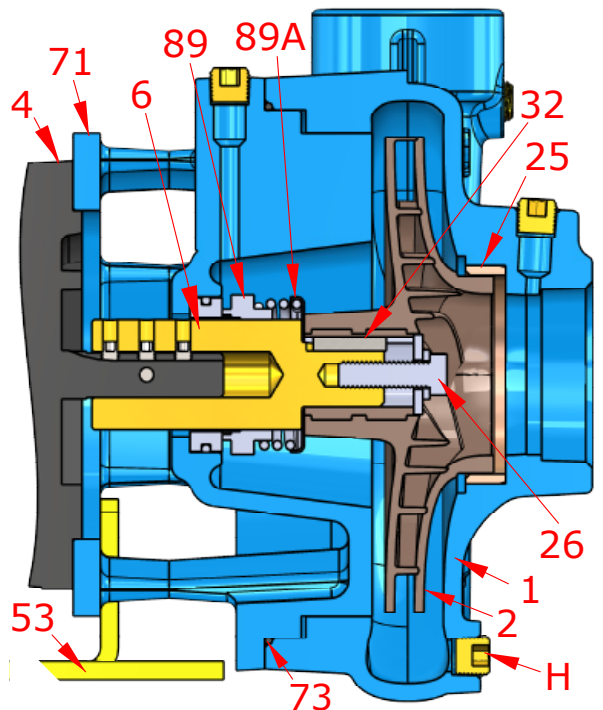


MOTOR DIMENSIONS							
NEMA C56 FRAME 1750 RPM							
HP	FRAME	ODP			TEFC		
		L	O	AB	L	O	AB
0.5	C56	9.16	6.19	5.06	9.48	7.25	5.88
0.75	C56	9.78	6.19	5.06	9.87	7.25	5.88



Construction

Key	Part Name	Standard Fitted	All Iron
1	Case	Iron	Iron
2	Impeller	PPS-GF	PPS-GF
6	Stub Shaft	Bronze	Stainless
25	Wear Ring	Bronze	Steel
26	Impeller Retaining Assembly	Stainless	Stainless
32	Key	Stainless	Stainless
53	Base	Steel	Steel
71	Adapter	Iron	Iron
73	Gasket, Case	Buna	Buna
89	Mechanical Seal, Type 21 BN-CM	Standard	Standard
89A	Seal Spring Retainer	Stainless	Stainless
H	Plug, Drain	Brass	Plated Steel





A WILO BRAND

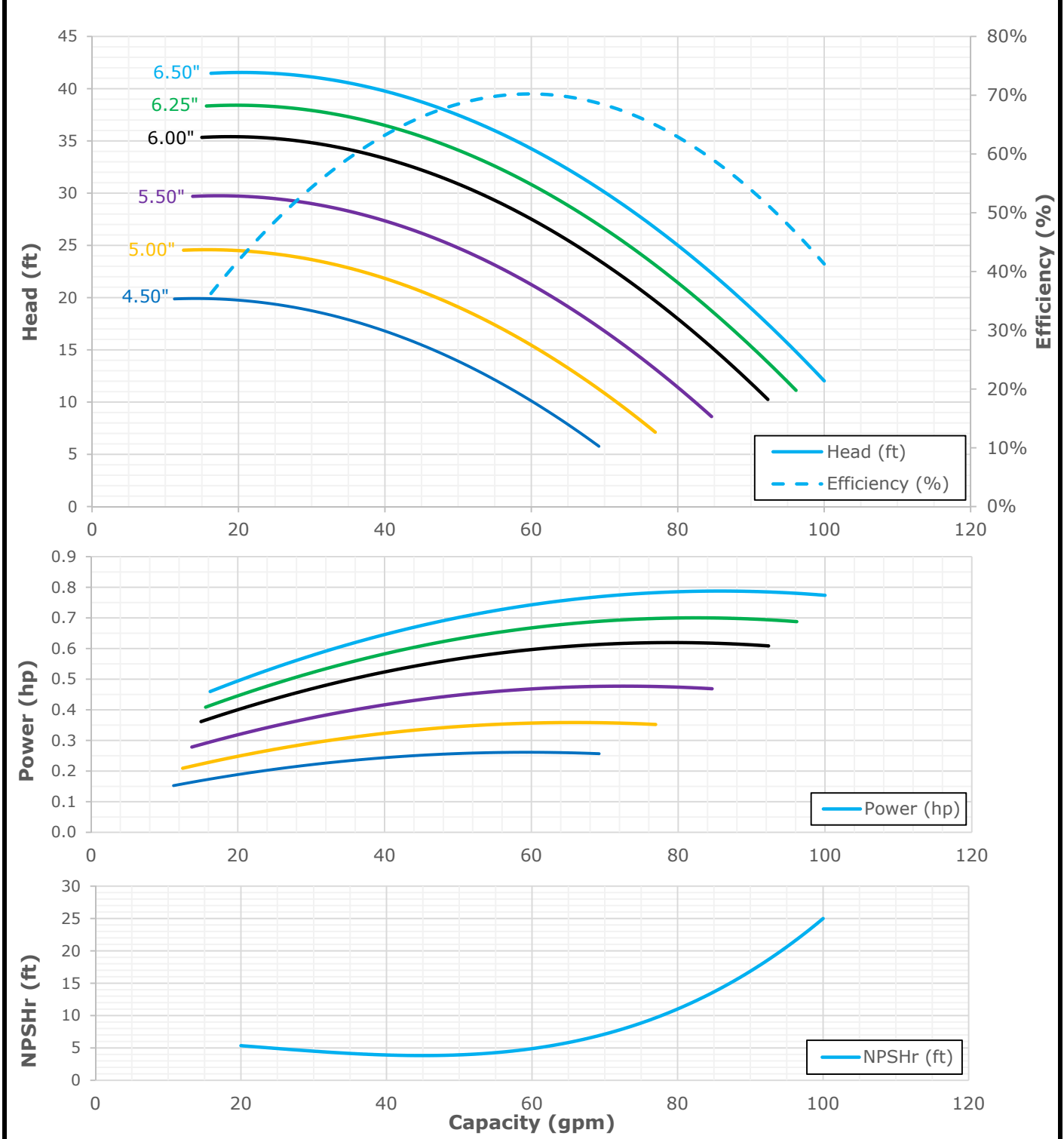
MOTORPUMP™ — 1750 RPM

Iron, 60 Hz, 2 X 1.5 X 6.5 NPT

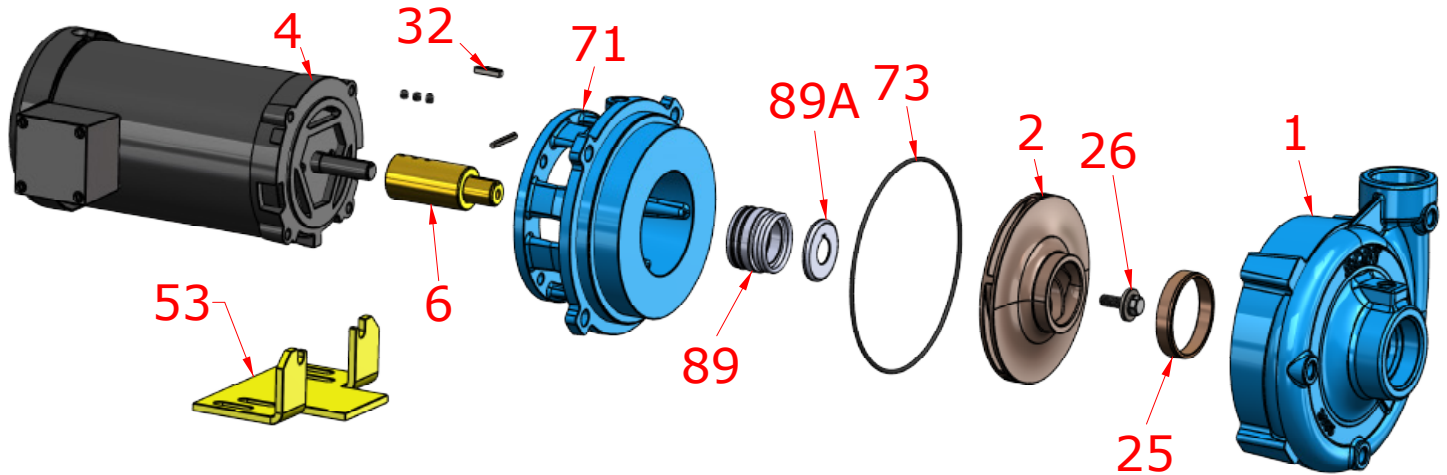
701 C56

Performance Curve

Performance Curve Number: 40.000.799S	Pump 701 2.0 X 1.5 X 6.50	1.00 S.G. 70.0 °F	Imp. Type: Enclosed 1/2/2020	1750 RPM 60 Hz	Max Sphere: 0.25" PEI _{CL}	0.92
---------------------------------------	-------------------------------------	----------------------	---------------------------------	-------------------	--	------



Parts



Key	Part Name	Part Number
1+	Case 701/702, Iron, 2.0 X 1.5 NPT Brass wear ring and plugs	3301059X
2	Impeller 701, PPS-GF, Specify Dia., 6.50 Max 7/8" Key	3301109
4	Motor chart, C56	See Chart
6*	Stub Shaft Ass'y Stainless, includes set screws and pin	135.000.174X
	Stub Shaft Ass'y, Brass, includes set screws and pin	135.000.165X
25	Wear ring, Bronze	3301115
	Wear ring, Steel	3301114
26*	Impeller retaining assembly, Stainless	118.000.680
32*	Key, Stainless	137.003.137
71	Adapter, Iron, JM140/180 1-1/2" Seal, with Brass plug	3301153X
73*	Gasket, Case, Buna	137.003.117
89*	Seal, 1.5" Type 21, BN-CARB/CM	101.000.168
	Seal, 1.5" Type 21, EPDM-CARB/SIL	101.000.175B
	Seal, 1.5" Type 21, EPDM-SIL/SIL	101.000.204A
	Seal, 1.5" Type 21, VN-CARB/CM	101.000.191
	Seal, 1.5" Type 21, VN-CARB/SIL	101.000.175
	Seal, 1.5" Type 21, VN-SIL/SIL	101.000.204
89A*	Seal spring retainer, Stainless	104.000.174
KIT	Repair Kit, 1-1/2" BN-CARB/CM Seal, Brz stub shaft	3301291
	Repair Kit, 1-1/2" EPDM-CARB/SIL Seal, Brz stub shaft	3301292
	Repair Kit, 1-1/2" EPDM-SIL/SIL Seal, Brz stub shaft	3301293
	Repair Kit, 1-1/2" VN-CARB/CM Seal, Stn stub shaft	3301294
	Repair Kit, 1-1/2" VN-CARB/SIL Seal, Brz stub shaft	3301295
	Repair Kit, 1-1/2" VN-SIL/SIL, Stainless stub shaft	3301296

* Denotes components included in repair kit.

+ Includes bronze wear ring. For steel, replace suffix "X" with "X1".

Motor Charts

