

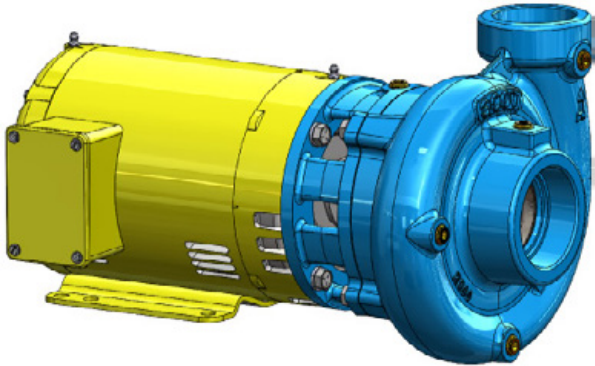


A WILO BRAND

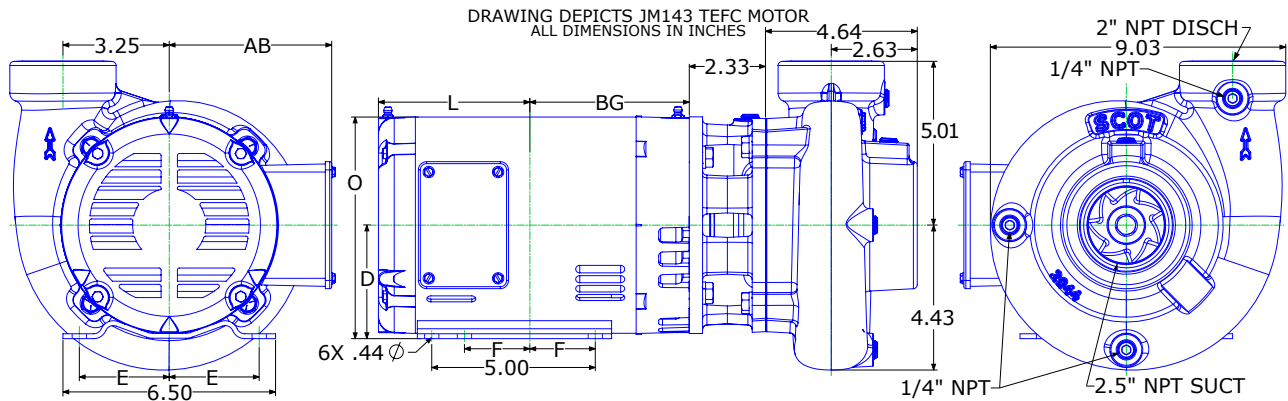
# MOTORPUMP™ — 1750 RPM

Iron, 60 Hz, 2.5 X 2 X 5.63 NPT

# 603 JM

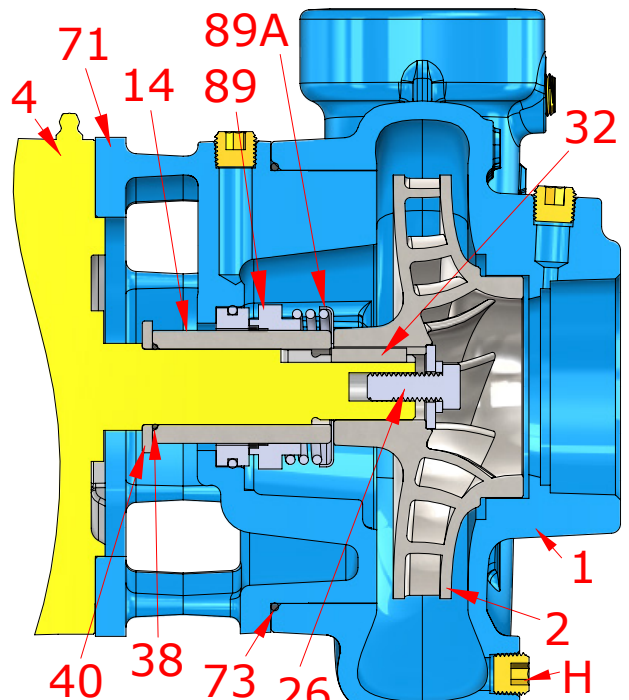


| MOTOR DIMENSIONS               |      |       |      |      |      |      |      |      |      |      |
|--------------------------------|------|-------|------|------|------|------|------|------|------|------|
| NEMA JM FRAME 3 PHASE 1750 RPM |      |       |      |      |      |      |      |      |      |      |
| HP                             | Type | Frame | D    | E    | F    | O    | AB   | BG   | L    | MH   |
| 1                              | ODP  | JM143 | 3.50 | 2.75 | 2.00 | 6.72 | 5.87 | 4.75 | 4.70 | 0.34 |
| 1.5                            | ODP  | JM143 | 3.50 | 2.75 | 2.50 | 6.72 | 5.87 | 5.25 | 5.36 | 0.34 |
| 1                              | TEFC | JM143 | 3.50 | 2.75 | 2.00 | 7.00 | 6.25 | 4.57 | 5.84 | 0.34 |
| 1.5                            | TEFC | JM145 | 3.50 | 2.75 | 2.50 | 7.00 | 6.25 | 5.06 | 6.34 | 0.34 |



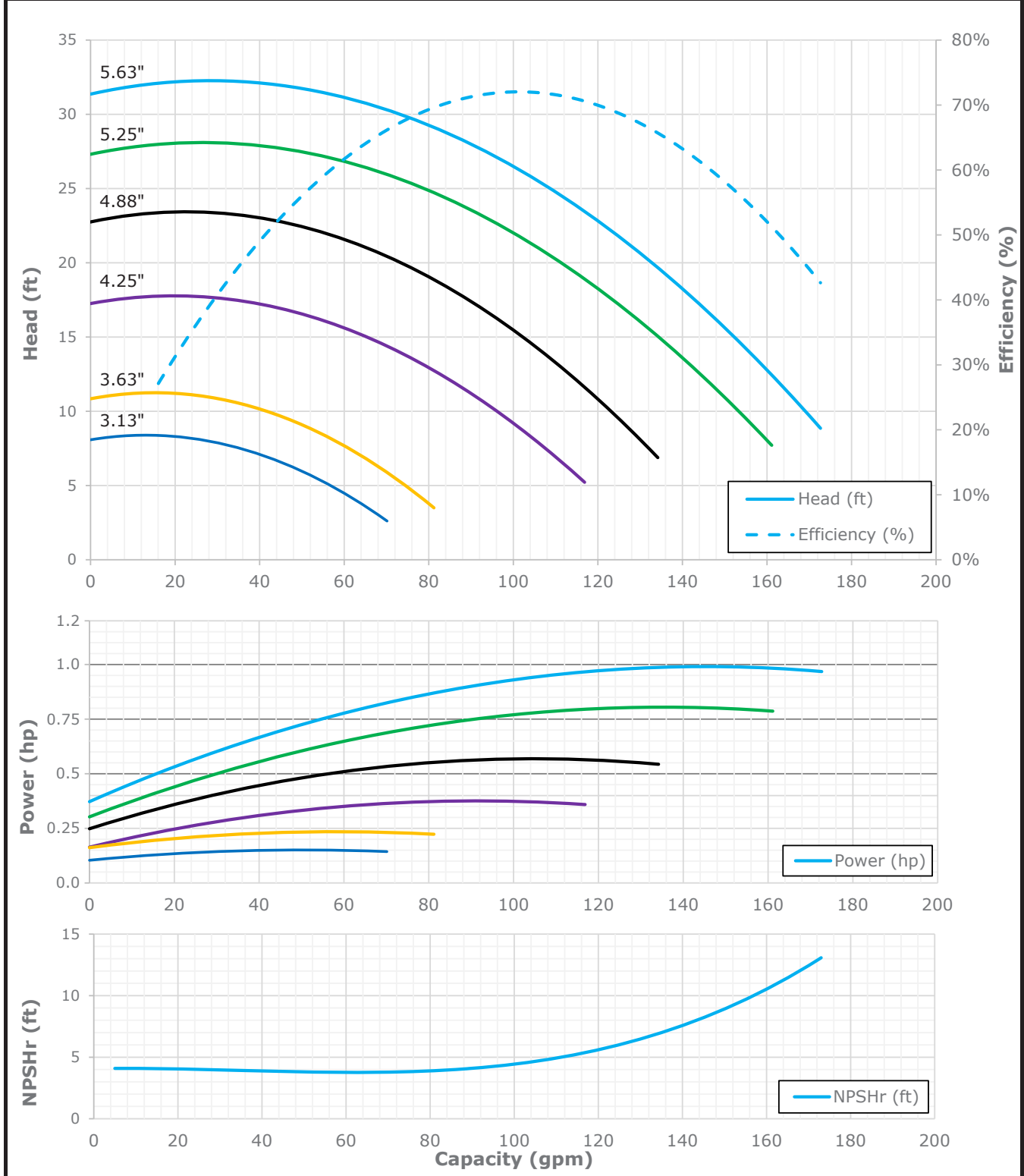
## Construction Options

| Key | Part Name                      | Standard Fitted | All Iron     |
|-----|--------------------------------|-----------------|--------------|
| 1   | Case                           | Ductile Iron    | Ductile Iron |
| 2   | Impeller                       | 304SS           | 304SS        |
| 14  | Shaft Sleeve                   | Bronze          | 304SS        |
| 26  | Impeller Retaining Assembly    | Stainless       | Stainless    |
| 32  | Key                            | Stainless       | Stainless    |
| 38  | O-Ring, Shaft                  | Buna            | Buna         |
| 40  | Flinger                        | Stainless       | Stainless    |
| 71  | Adapter                        | Ductile Iron    | Ductile Iron |
| 73  | Gasket, Case                   | Buna            | Buna         |
| 89  | Mechanical Seal, Type 21 BN-CM | Standard        | Standard     |
| 89A | Seal Retainer                  | Stainless       | Stainless    |
| H   | Plug, Drain                    | Brass           | Plated Steel |

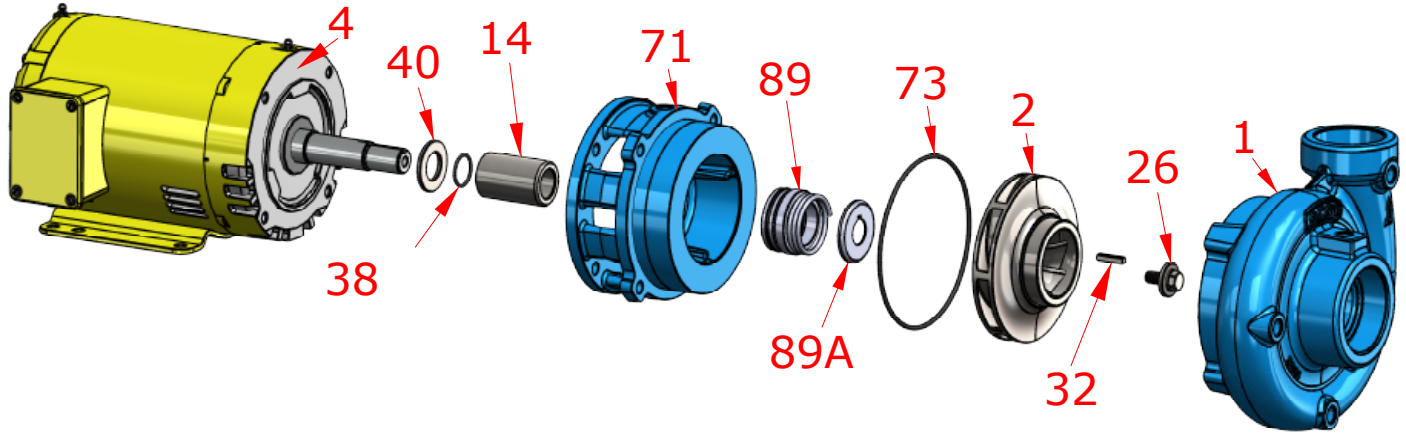


### Performance Curve

|                    |                  |           |                     |          |                       |
|--------------------|------------------|-----------|---------------------|----------|-----------------------|
| Performance Curve  | Pump <b>603</b>  | 1.00 S.G. | Imp. Type: Enclosed | 1750 RPM | Max Sphere: 3/8"      |
| Number: 40.000.817 | 2.5 X 2.0 X 5.63 | 70.0 °F   | 5/17/2021           | 60 Hz    | PE <sub>CL</sub> 0.97 |



## Parts



| Key  | Part Name  | Part Number  |
|------|--|--------------|
| 1    | Case 603, Ductile Iron, 2.50 X 2.00 NPT Brass plugs          | 301065X      |
| 2    | Impeller 603, 304SS, Specify Dia., 5.63 Max 7/8" Key         | 3301077      |
| 4    | Motor chart, JM140/180                                       | See Chart    |
| 14*  | Shaft sleeve, Bronze   | 110.000.178  |
|      | Shaft sleeve, Stainless                                      | 110.000.192  |
| 26*  | Impeller retaining assembly, Stainless                       | 3301394      |
| 32*  | Key, Stainless   | 102.000.102  |
| 38*  | O-ring, Shaft, Buna  | 116.000.117  |
|      | O-ring, Shaft, Viton   | 116.000.105  |
| 40*  | Flinger, Stainless   | 104.000.165  |
| 71   | Adapter, Ductile Iron, JM140/180 1-1/2" Seal, Brass plug     | 3301071X     |
| 73*  | Gasket, Case, Buna   | 116.000.146  |
|      | Seal, 1-1/2", Type 21, BN-CARB/CM                            | 101.000.168  |
|      | Seal, 1-1/2", Type 21, EPDM-CARB/SIL                         | 101.000.175B |
| 89*  | Seal, 1-1/2", Type 21, EPDM-SIL/SIL                          | 101.000.204A |
|      | Seal, 1-1/2", Type 21, VN-CARB/CM                            | 101.000.191  |
|      | Seal, 1-1/2", Type 21, VN-CARB/SIL                           | 101.000.175  |
|      | Seal, 1-1/2", Type 21, VN-SIL/SIL                            | 101.000.204  |
| 89A* | Seal spring retainer, Stainless                              | 104.000.174  |
|      | Repair Kit, 1-1/2" BN-CARB/CM Seal, Brz sleeve, BN O-ring    | 3301413      |
|      | Repair Kit, 1-1/2" EPDM-CARB/SIL Seal, Brz sleeve, BN O-ring | 331416       |
|      | Repair Kit, 1-1/2" EPDM-SIL/SIL Seal, Brz sleeve, BN O-ring  | 3301419      |
| KIT  | Repair Kit, 1-1/2" VN-CARB/CM Seal, Brz sleeve, BN O-ring    | 3301420      |
|      | Repair Kit, 1-1/2" VN-CARB/CM Seal, Stn sleeve, VN O-ring    | 3301414      |
|      | Repair Kit, 1-1/2" VN-CARB/SIL Seal, Brz sleeve, BN O-ring   | 3301415      |
|      | Repair Kit, 1-1/2" VN-SIL/SIL Seal, Stn sleeve, VN O-ring    | 3301418      |

\* Denotes components included in repair kit.

**Motor Charts**

