

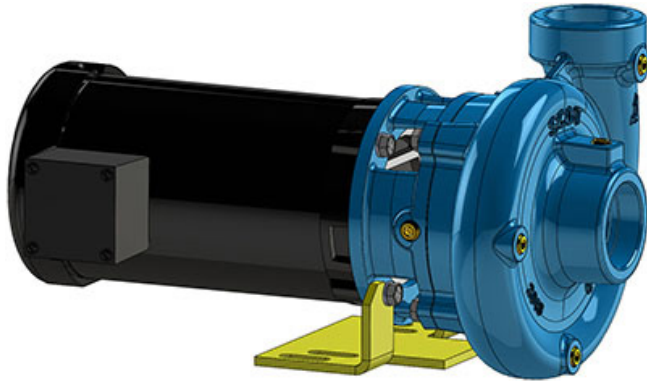


A WILO BRAND

# MOTORPUMP™ — 1750 RPM

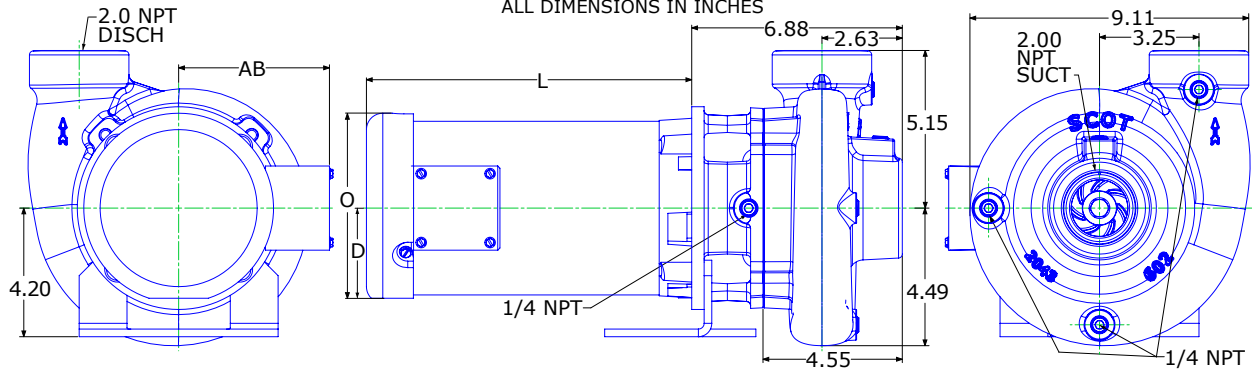
Iron, 60 Hz, 2 X 2 X 5.63 NPT

# 602 C56



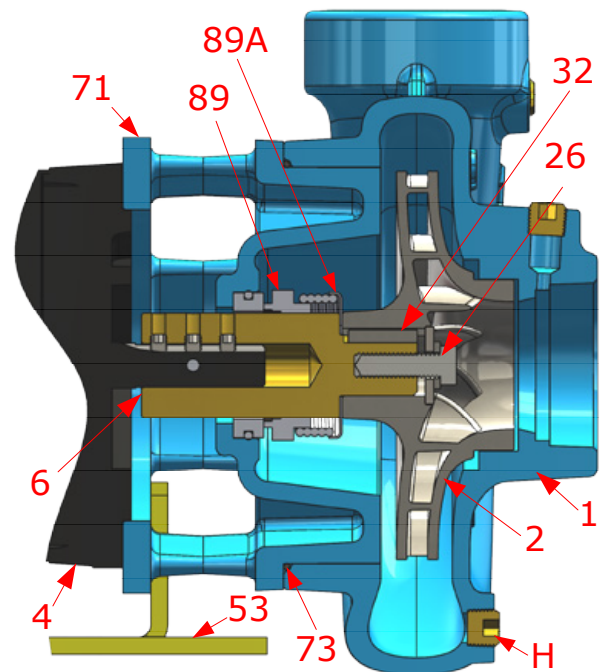
MOTOR DIMENSIONS NEMA C56 FRAME 1750 RPM							
HP	FRAME	ODP			TEFC		
		L	O	AB	L	O	AB
0.5	C56	9.16	6.19	5.06	9.48	7.25	5.88
0.75	C56	9.78	6.19	5.06	9.87	7.25	5.88

DRAWING DEPICTS C56 3PHASE TEFC MOTOR  
ALL DIMENSIONS IN INCHES



## Construction Options

Key	Part Name	Standard Fitted	All Iron
1	Case	Ductile Iron	Ductile Iron
2	Impeller	304SS	304SS
6	Stub Shaft	Bronze	Stainless
26	Impeller Retaining Assembly	Stainless	Stainless
32	Key	Stainless	Stainless
53	Base	Steel	Steel
71	Adapter	Ductile Iron	Ductile Iron
73	Gasket, Case	Buna	Buna
89	Mechanical Seal, Type 21 BN-CM	Standard	Standard
89A	Seal Spring Retainer	Stainless	Stainless
H	Plug, Drain	Brass	Plated Steel





A WILO BRAND

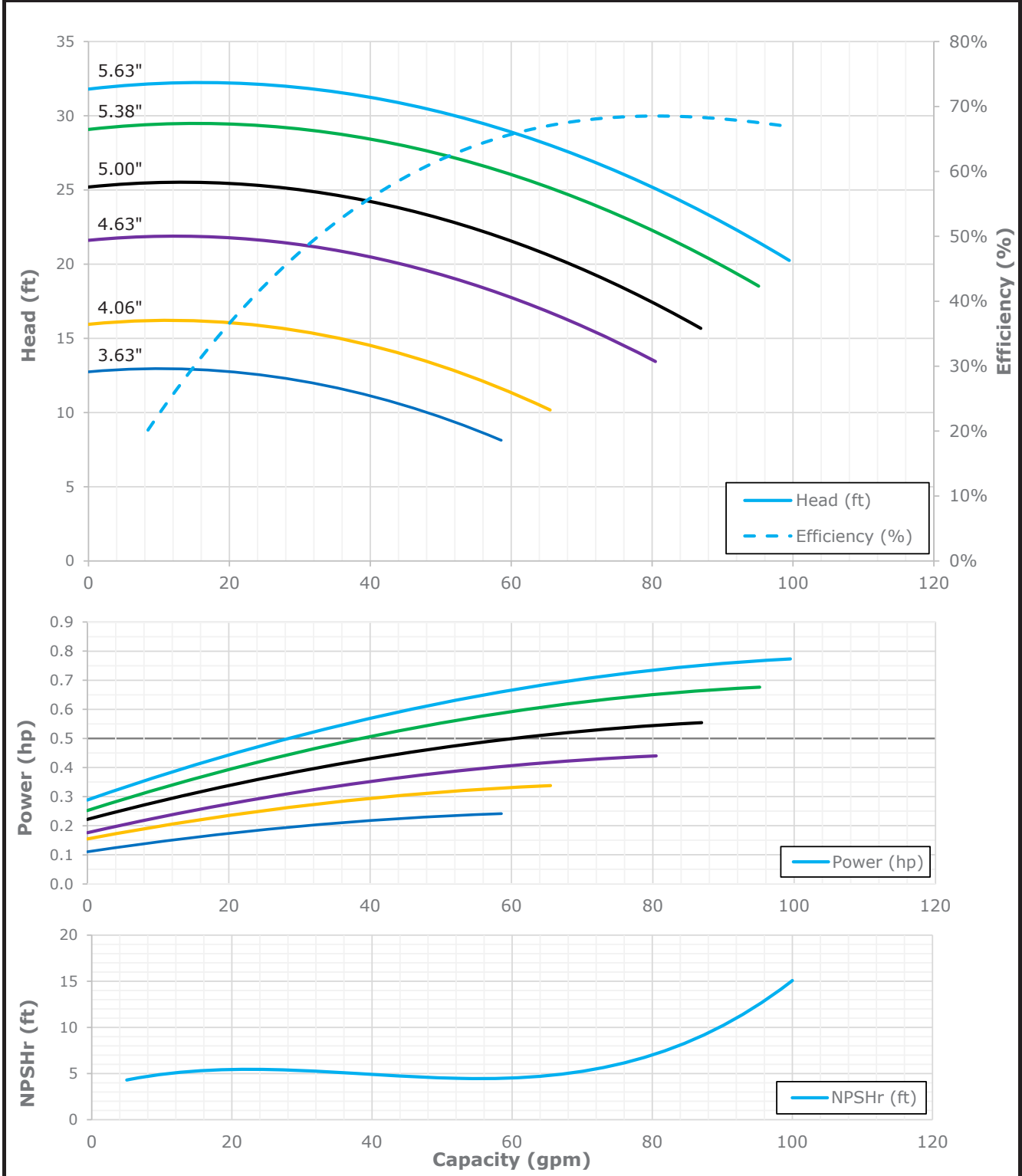
# MOTORPUMP™ — 1750 RPM

Iron, 60 Hz, 2 X 2 X 5.63 NPT

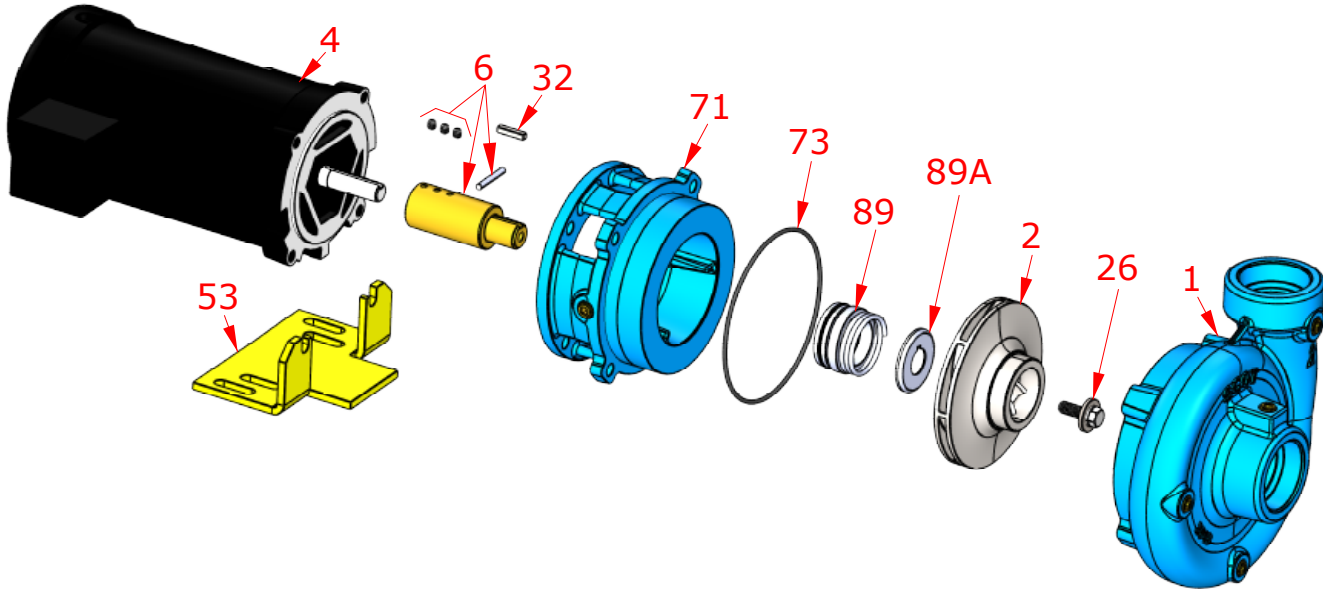
# 602 C56

## Performance Curve

Performance Curve Number: 40.000.816	Pump <b>602</b> 2.0 X 2.0 X 5.63	1.00 S.G. 70.0 °F	Imp. Type: Enclosed 5/17/2021	1750 RPM 60 Hz	Max Sphere: 9/32" PEI <sub>CL</sub> Exempt
--------------------------------------	-------------------------------------	----------------------	----------------------------------	-------------------	---



## Parts



Key	Part Name	Part Number
1	Case 602, Ductile Iron, 2.00 X 2.00 NPT Brass plugs	3301063X
2	Impeller 602, Stainless, Specify Dia., 5.63 Max 7/8" Key	3301076
4	Motor chart, C56	See Chart
6*	Stub Shaft Ass'y Stainless, includes set screws and pin	135.000.174X
	Stub Shaft Ass'y, Brass, includes set screws and pin	135.000.165X
26*	Impeller retaining assembly, Stainless	118.000.680
32*	Key, Stainless	102.000.102
53	Base, Steel	3301100
71	Adapter, Iron, JM140/180 1-1/2" Seal, Brass plug	3301071X
73*	Gasket, Case, Buna	116.000.146
89*	Seal, 1-1/2", Type 21, BN-CARB/CM	101.000.168
	Seal, 1-1/2", Type 21, EPDM-CARB/SIL	101.000.175B
	Seal, 1-1/2", Type 21, EPDM-SIL/SIL	101.000.204A
	Seal, 1-1/2", Type 21, VN-CARB/CM	101.000.191
	Seal, 1-1/2", Type 21, VN-CARB/SIL	101.000.175
	Seal, 1-1/2", Type 21, VN-SIL/SIL	101.000.204
89A*	Seal spring retainer, Stainless	104.000.174
KIT	Repair Kit, 1-1/2" BN-CARB/CM Seal, Brz sleeve, BN O-ring	3301285
	Repair Kit, 1-1/2" EPDM-CARB/SIL Seal, Brz sleeve, BN O-ring	3301286
	Repair Kit, 1-1/2" EPDM-SIL/SIL Seal, Brz sleeve, BN O-ring	3301287
	Repair Kit, 1-1/2" VN-CARB/CM Seal, Stn sleeve, VN O-ring	3301288
	Repair Kit, 1-1/2" VN-CARB/SIL Seal, Brz sleeve, BN O-ring	3301289
	Repair Kit, 1-1/2" VN-SIL/SIL Seal, Stn sleeve, VN O-ring	3301290

\* Denotes components included in repair kit.

**Motor Charts**

