



A WILO BRAND

MOTORPUMP™ — 1750 RPM

Iron, 60 Hz, 5 X 3 X 8 ANSI FLG

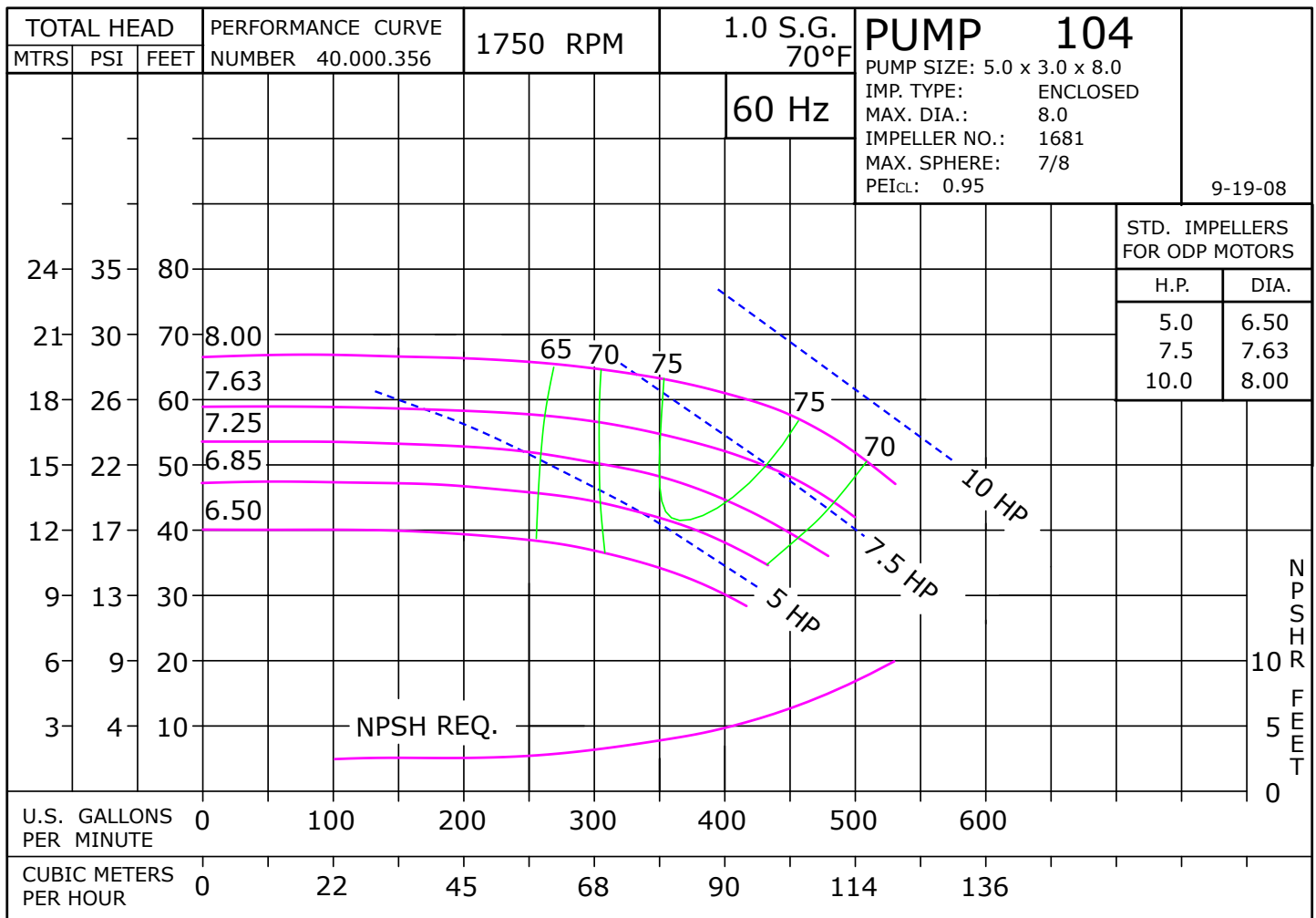
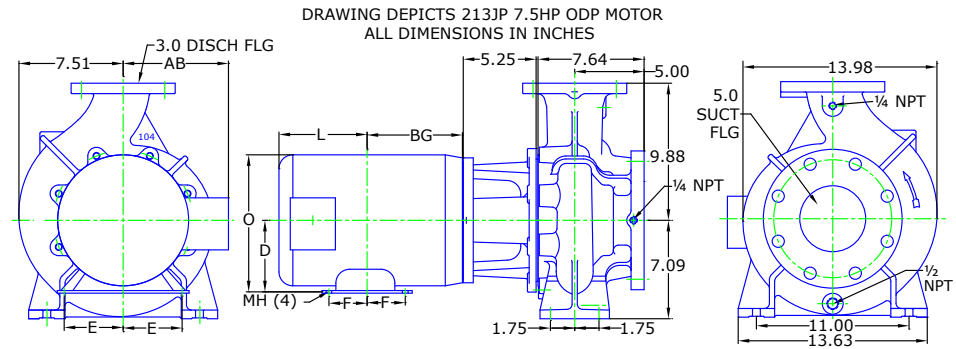
104 JP



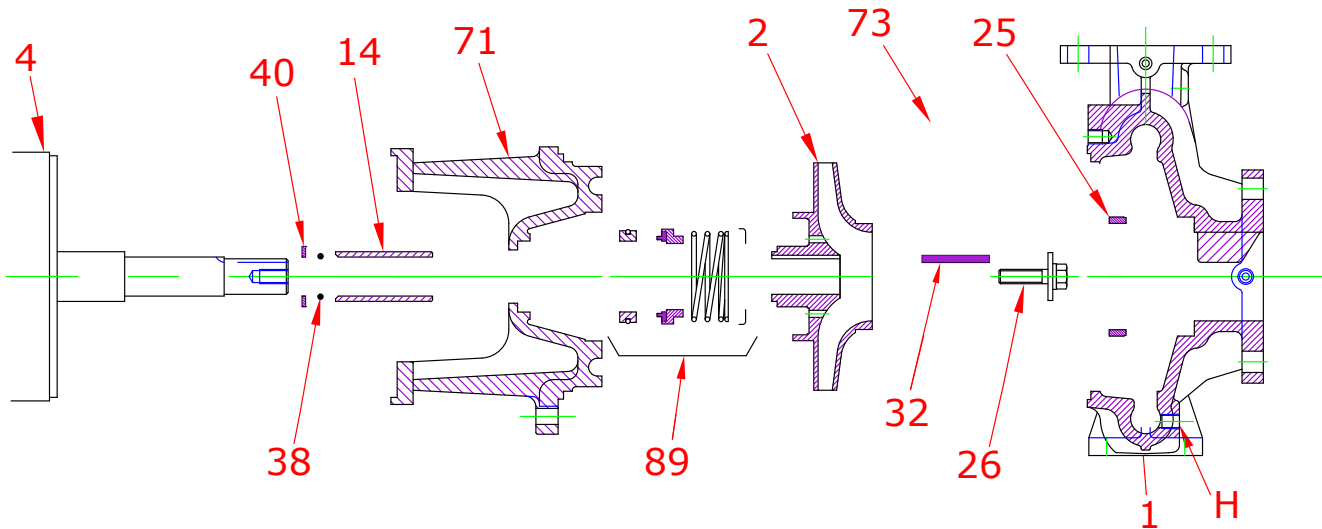
MOTOR DIMENSIONS

NEMA JP FRAME 3 PHASE 1750 RPM

HP	Type	Frame	D	E	F	O	AB	BG	L	MH
7.5	ODP	JP213	5.25	4.25	2.75	10.14	7.97	7.00	6.45	0.41
10	ODP	JP215	5.25	4.25	3.50	10.14	7.97	7.75	5.69	0.41
7.5	TEFC	JP213	5.25	4.25	2.75	10.41	8.67	6.00	8.41	0.41
10	TEFC	JP215	5.25	4.25	3.50	10.37	8.19	6.77	9.16	0.41



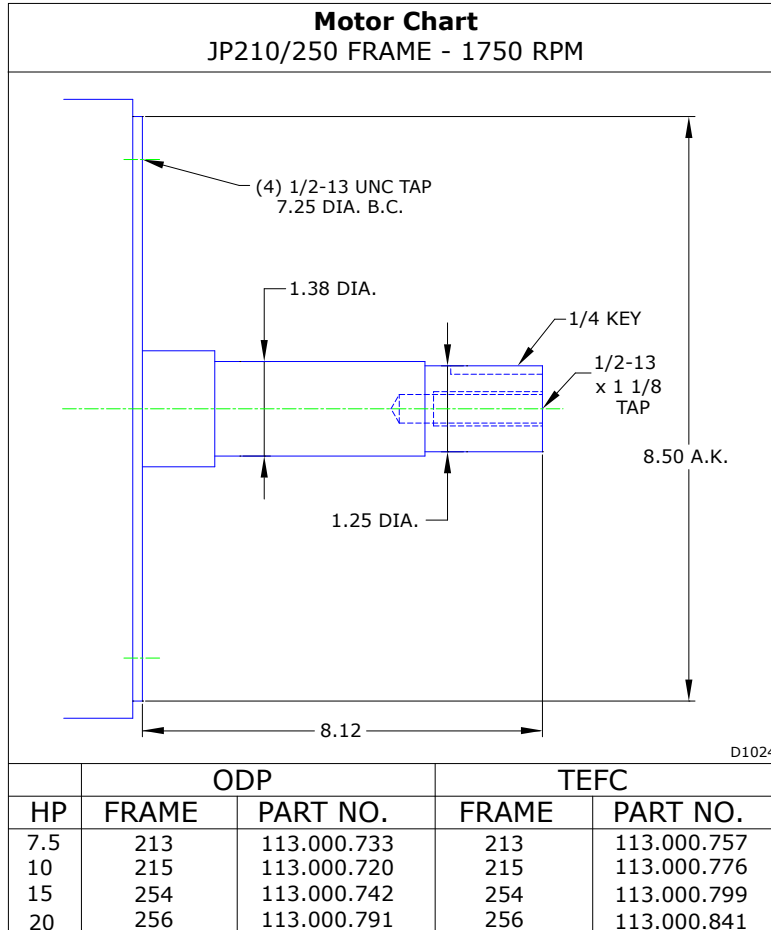
Parts



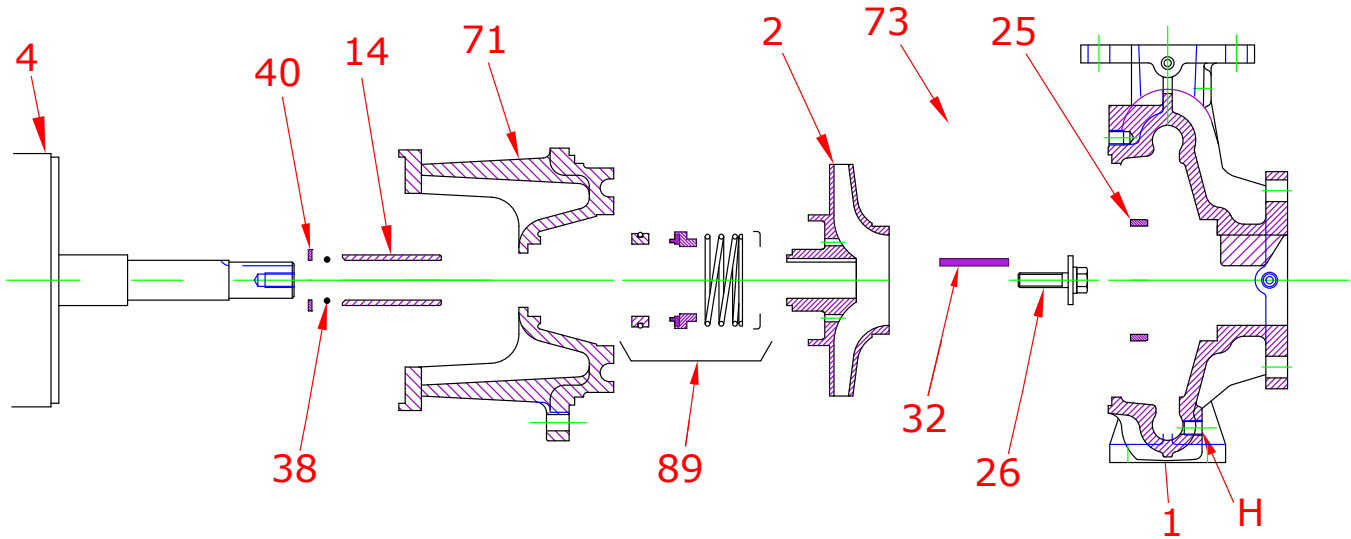
Key No.	Part Name	Part Number
1+	Case 104, Iron, 5.00 X 3.00 FLG Bronze Wear Ring and plugs	130.000.310X
2	Impeller 104, Iron, Tefcoted, Specify Dia., 8.25 Max 1-1/4" Key	137.000.148.TC
4	Motor chart, JP210/250	See Chart
14*	Shaft Sleeve, Bronze	110.000.398
	Shaft Sleeve, Stainless	110.000.360
25	Wear ring, Bronze	103.000.202
	Wear ring, Steel	103.000.185
26*	Impeller retaining assembly, Stainless	118.000.640
32*	Key, Stainless	102.000.282
38*	O-ring, Shaft, Buna	116.000.218
	O-ring, Shaft, Viton	116.000.218A
40*	Flinger, Stainless	104.000.200
71	Adapter, Iron, JP210/250 1-3/4" Seal, with Brass plug	132.000.374X
73*	Gasket, Case, Fiber	116.000.261
89*	Seal, 1-3/4", Type 21, BN-CARB/CM with retainer	101.000.196
	Seal, 1-3/4", Type 21, EPDM-CARB/SIL with retainer	101.000.196B
	Seal, 1-3/4", Type 21, EPDM-SIL/SIL with retainer	137.001.555
	Seal, 1-3/4", Type 21, VN-CARB/CM with retainer	101.000.216
	Seal, 1-3/4", Type 21, VN-CARB/SIL with retainer	101.000.221
	Seal, 1-3/4", Type 21, VN-SIL/SIL with retainer	101.000.231
KIT	Repair Kit, 1-3/4" BN-CARB/CM Seal, Brz sleeve, BN O-ring	118.000.412
	Repair Kit, 1-3/4" EPDM-CARB/SIL Seal, Brz sleeve, BN O-ring	118.000.412C
	Repair Kit, 1-3/4" VN-CARB/CM Seal, Stn sleeve, VN O-ring	118.000.412A
	Repair Kit, 1-3/4" VN-CARB/SIL Seal, Brz sleeve, BN O-ring	118.000.412B
	Repair Kit, 1-3/4" VN-SIL/SIL Seal, Stn sleeve, VN O-ring	118.000.412E
	Repair Kit, 1-3/4" EPDM-SIL/SIL Seal, Brz sleeve, BN O-ring	118.000.412F

* Denotes components included in repair kit.

Motor Charts



Construction Options



Construction Options			
Key No.	Part Name	Standard Fitted	All Iron
1	Case	Iron	Iron
2	Impeller	Iron, Tefcoted	Iron, Tefcoted
14	Shaft Sleeve	Bronze	Stainless
25	Wear Ring, Case	Bronze	Steel
26	Impeller Retainer	Stainless	Stainless
32	Key	Stainless	Stainless
38	Shaft O-Ring	Buna	Buna
40	Flinger	Stainless	Stainless
71	Adapter	Iron	Iron
73	Gasket, Case	Fiber	Fiber
89	Mechanical Seal, Type 21 BN-CM	Standard	Standard
H	Plug, Drain	Brass	Plated Steel