



A WILO BRAND

# MOTORPUMP™ — 1750 RPM

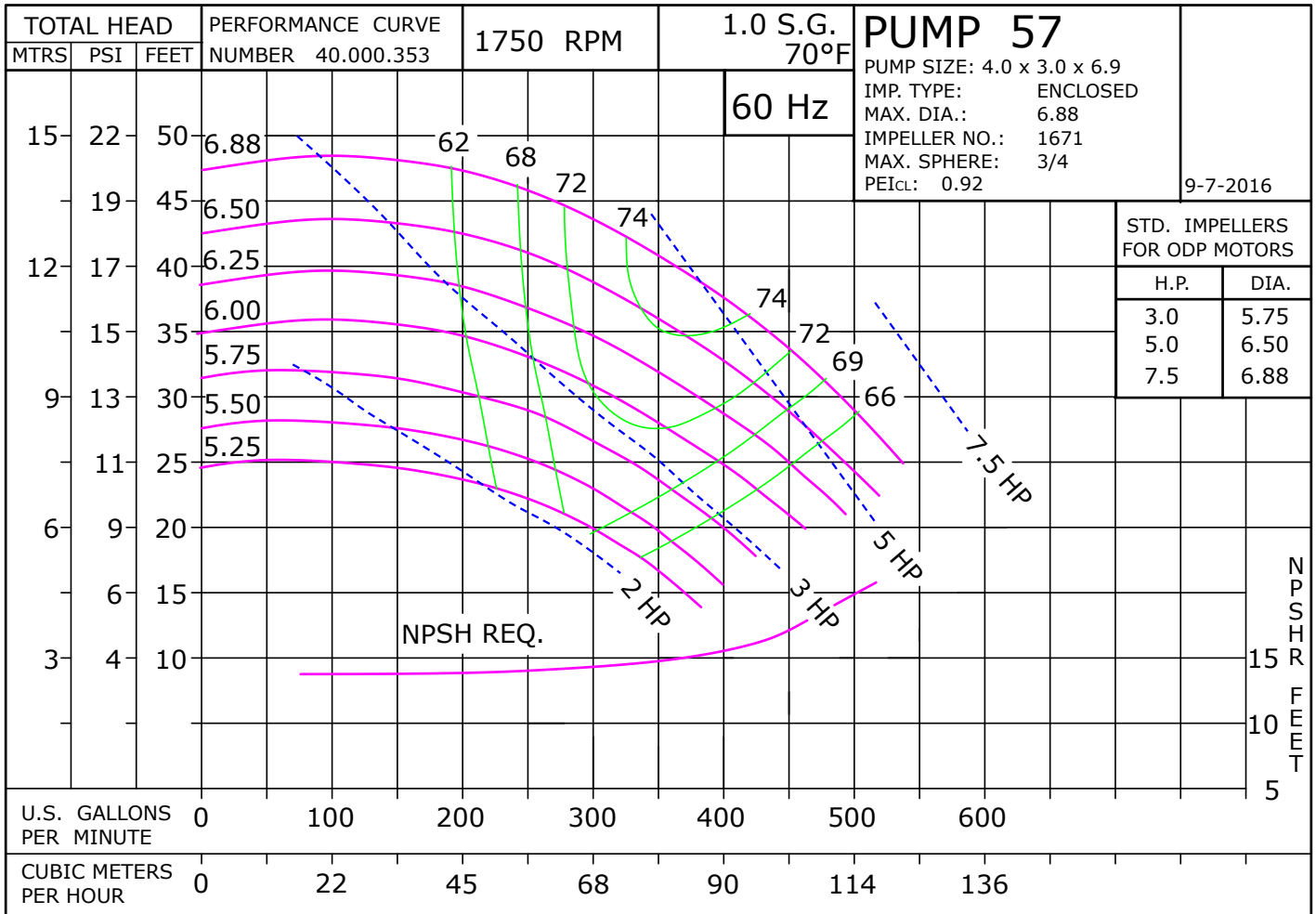
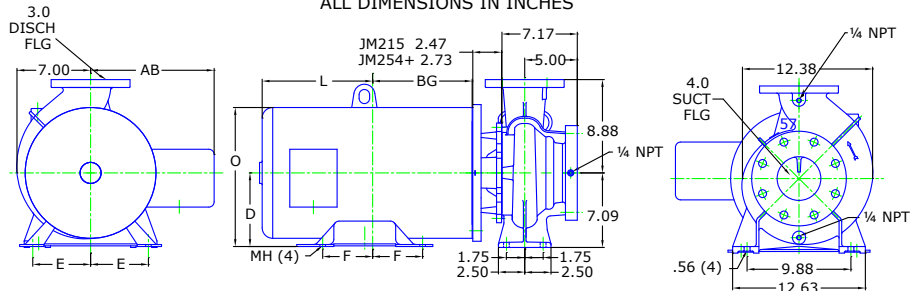
Iron, 60 Hz, 4 X 3 X 6.88 ANSI FLG

# 57 JM



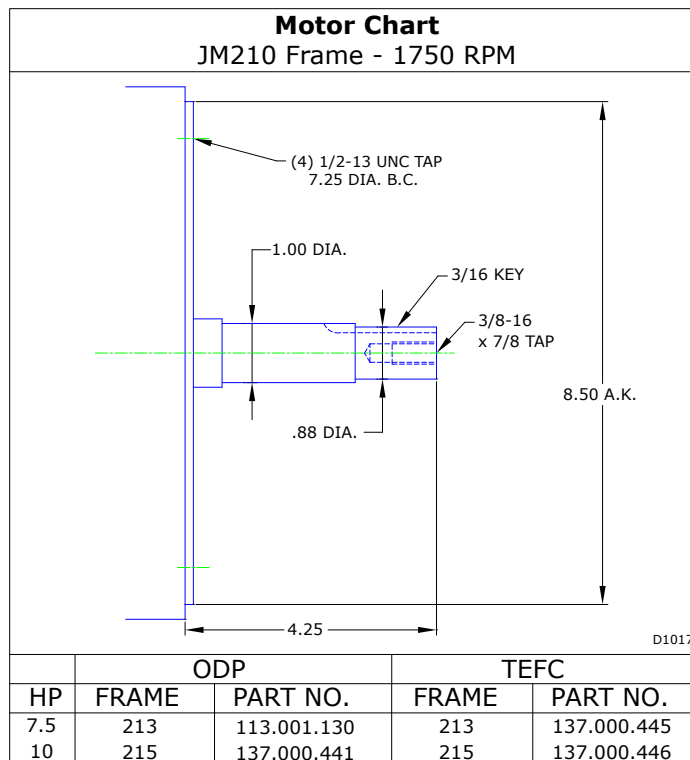
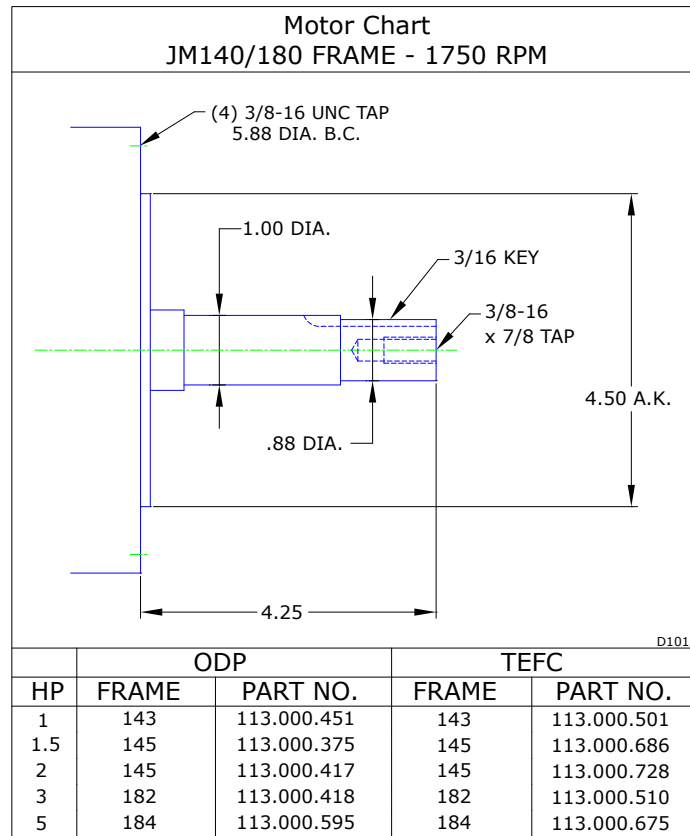
MOTOR DIMENSIONS										
NEMA JM FRAME 3 PHASE 1750 RPM										
HP	Type	Frame	D	E	F	O	AB	BG	L	MH
1.5	ODP	JM143	3.50	2.75	2.50	6.72	5.87	5.25	5.36	0.34
2	ODP	JM145	3.50	2.75	2.50	6.72	5.87	5.50	5.11	0.34
3	ODP	JM182	4.50	3.75	2.25	8.56	6.70	5.75	6.65	0.41
5	ODP	JM184	4.50	3.75	2.75	8.56	6.70	6.25	7.33	0.41
1.5, 2	TEFC	JM145	3.50	2.75	2.50	7.00	6.25	5.06	6.34	0.34
3	TEFC	JM182	4.50	3.75	2.25	8.85	7.57	5.01	7.14	0.41
5	TEFC	JM184	4.50	3.75	2.75	8.85	7.57	5.51	7.64	0.41

DRAWING DEPICTS JM284 30HP ODP MOTOR  
ALL DIMENSIONS IN INCHES

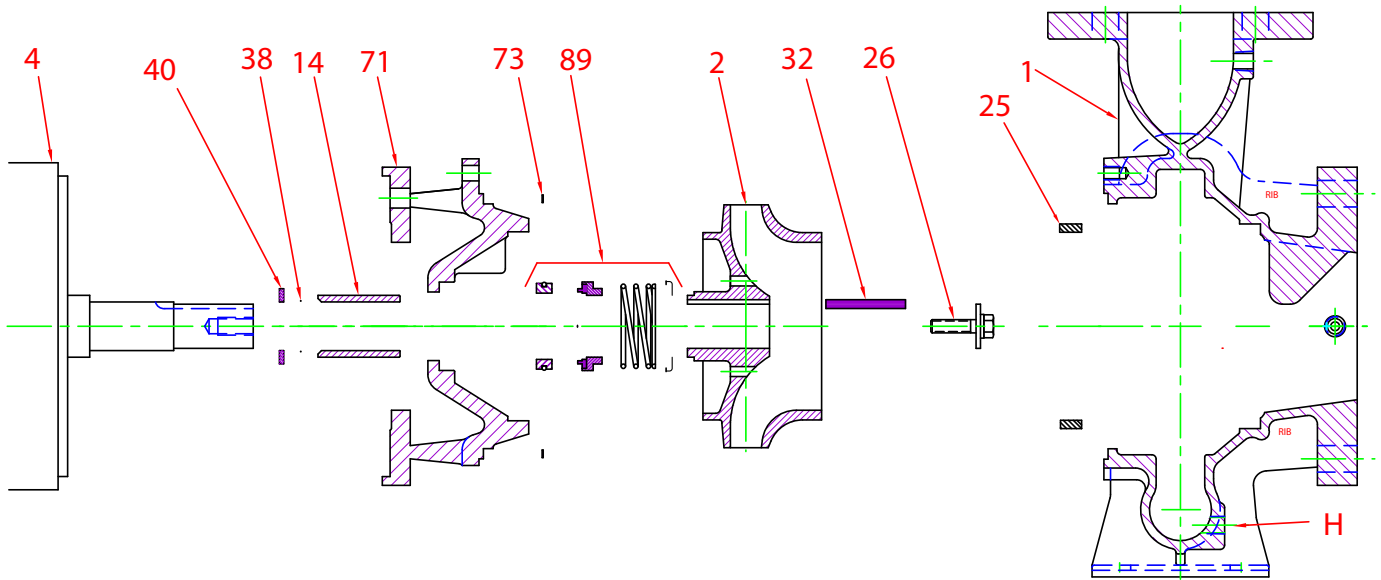




## Motor Charts



**Construction Options**



Construction Options				
Key	Part Name	Standard Fitted	Bronze Fitted	All Iron
1	Case	Iron	Iron	Iron
2	Impeller	Iron	Bronze	Iron
14	Shaft Sleeve	Bronze	Bronze	Stainless
25	Wear Ring	Bronze	Bronze	Steel
26	Impeller Retaining Assy	Stainless	Stainless	Stainless
32	Key	Stainless	Stainless	Stainless
38	Shaft O-Ring	Buna	Buna	Buna
40	Flinger	Stainless	Stainless	Stainless
71	Adapter	Iron	Iron	Iron
73	Gasket, Case	Fiber	Fiber	Fiber
89	Mechanical Seal, Type 21 BN-CM	Standard	Standard	Standard
89A*	Seal Spring Retainer	Stainless	Stainless	Stainless
H	Plug, Drain	Brass	Brass	Plated Steel

\* Included with seal on 20-25 HP