



A WILO BRAND

MOTORPUMP™ — 1750 RPM

Iron, 60 Hz, 3 X 3 X 5.63 NPT

15 JM

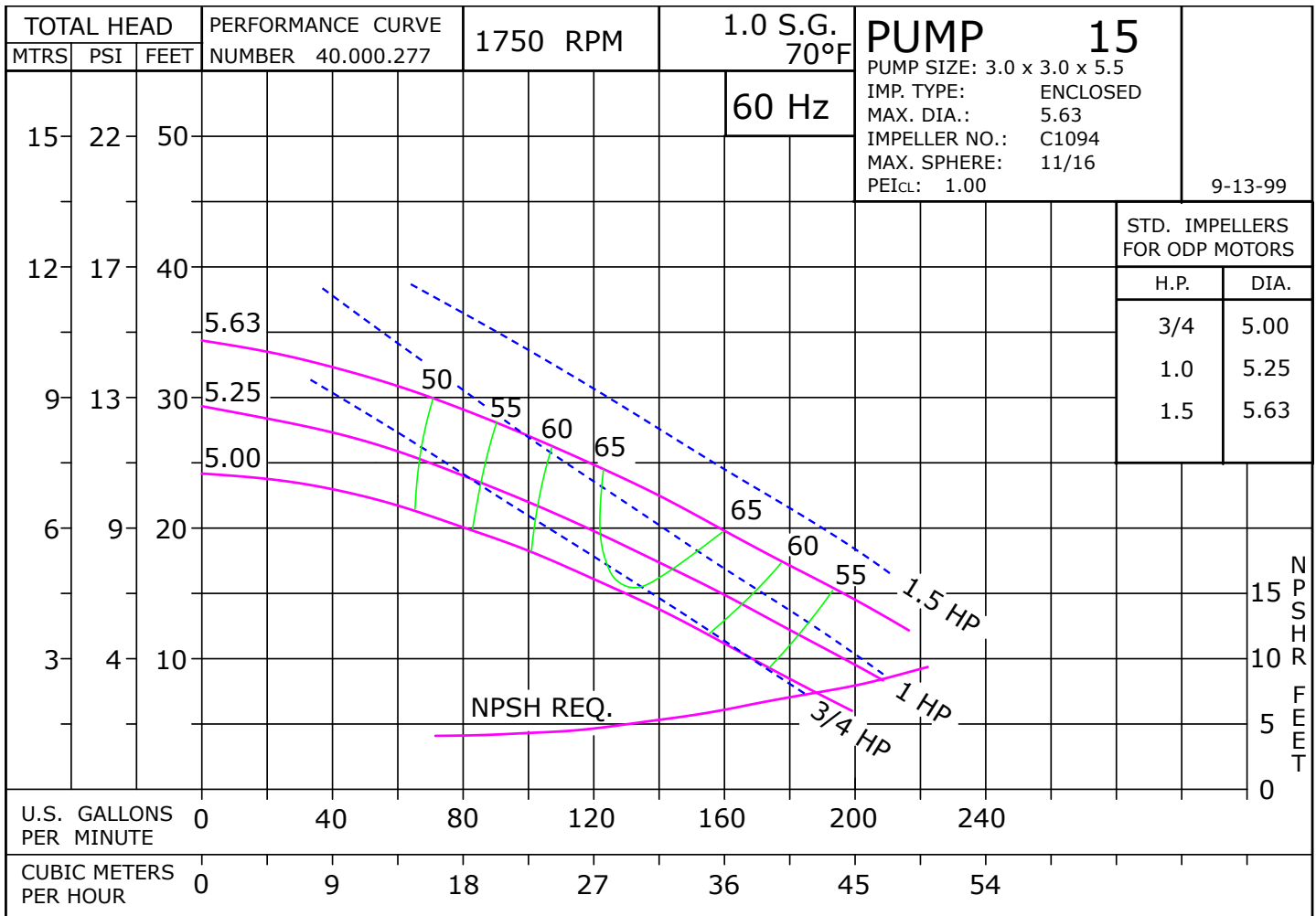
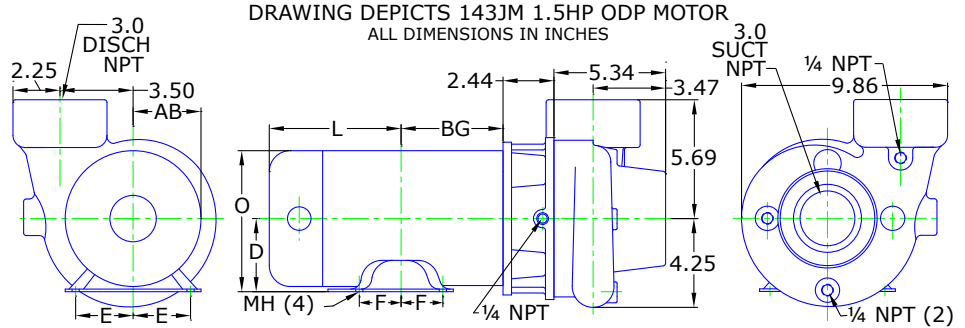


MOTOR DIMENSIONS

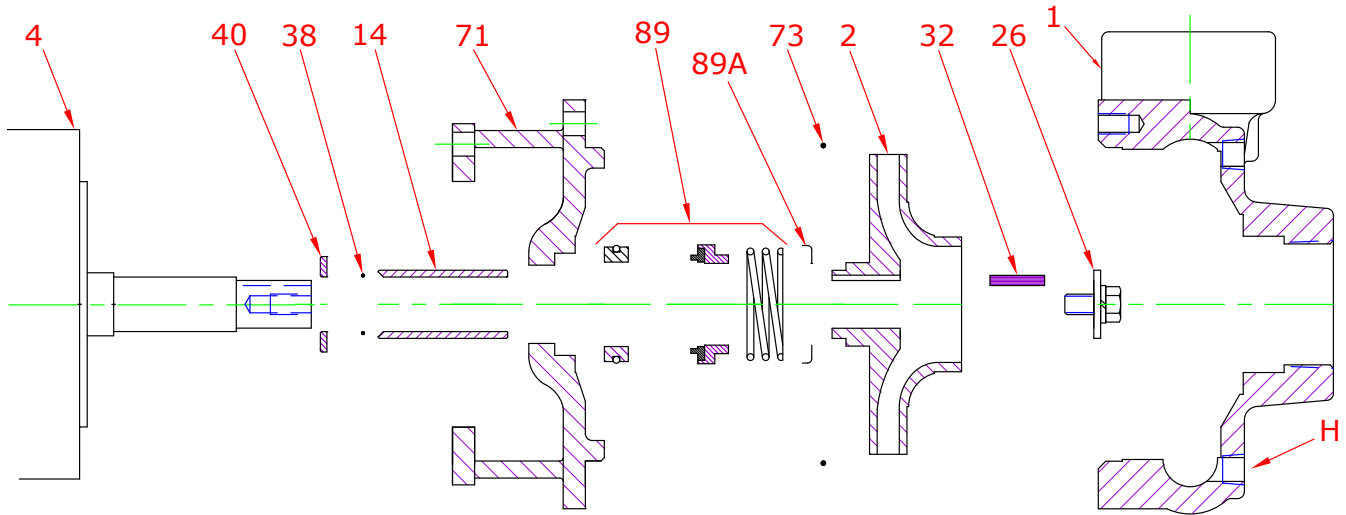
NEMA JM FRAME 3 PHASE 1750 RPM

| HP | Type | Frame | D | E | F | O | AB | BG | L | MH |
|-----|------|-------|------|------|------|------|------|------|------|------|
| 1 | ODP | JM143 | 3.50 | 2.75 | 2.00 | 6.72 | 5.87 | 4.75 | 4.70 | 0.34 |
| 1.5 | ODP | JM143 | 3.50 | 2.75 | 2.50 | 6.72 | 5.87 | 5.25 | 5.36 | 0.34 |
| 1 | TEFC | JM143 | 3.50 | 2.75 | 2.00 | 7.00 | 6.25 | 4.57 | 5.84 | 0.34 |
| 1.5 | TEFC | JM145 | 3.50 | 2.75 | 2.50 | 7.00 | 6.25 | 5.06 | 6.34 | 0.34 |

See C56 frame for 3/4 HP



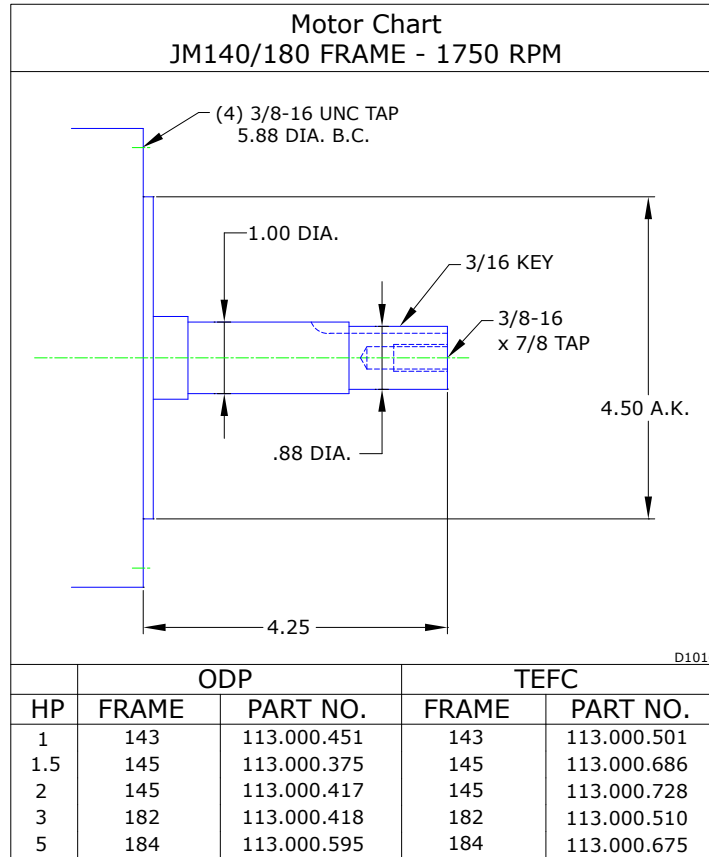
Parts



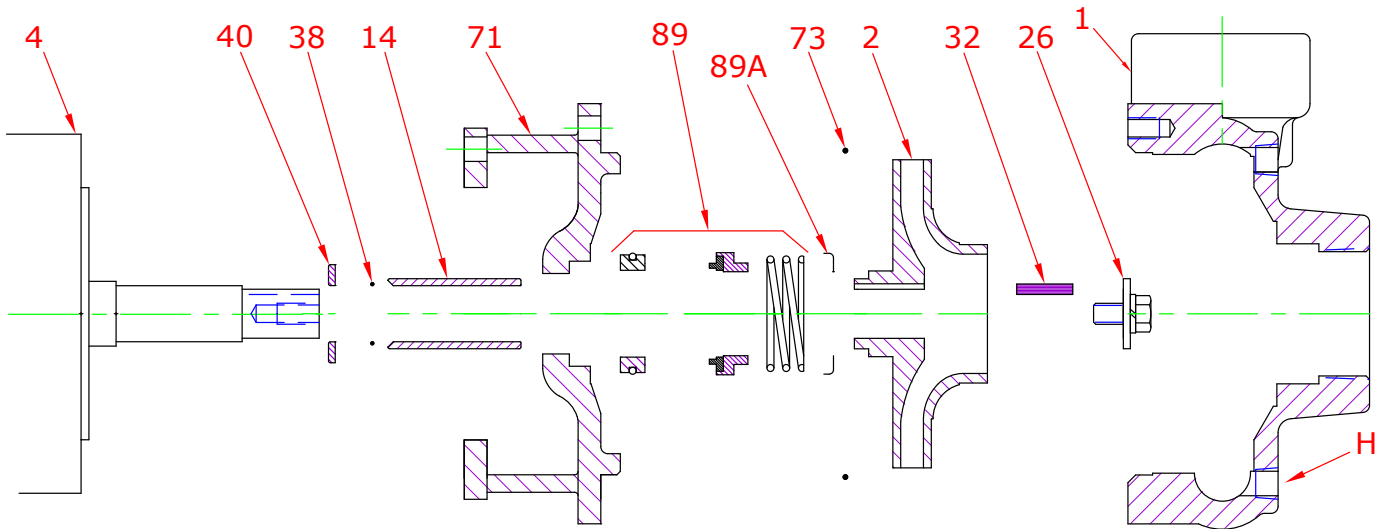
| Key No. | Part Name | Part Number |
|---------|--|----------------|
| 1 | Case 15/25, Iron, 3.00 X 3.00 NPT Brass plugs | 130.000.224X |
| 2 | Impeller 15, Iron, Tefcoted, Specify Dia., 5.63 Max 7/8" Key | 137.000.106.TC |
| 4 | Motor chart, JM140/180 | See Chart |
| 14* | Shaft sleeve, Bronze | 110.000.178 |
| | Shaft sleeve, Stainless | 110.000.192 |
| 26* | Impeller retaining assembly, Stainless | 118.000.111A |
| 32* | Key, Stainless | 102.000.102 |
| 38* | O-ring, Shaft, Buna | 116.000.117 |
| | O-ring, Shaft, Viton | 116.000.105 |
| 40* | Flinger, Stainless | 104.000.165 |
| 71 | Adapter, Iron, JM140/180 1-1/2" Seal, Brass plug | 132.000.194X |
| 73* | Gasket, Case, Buna | 116.000.146 |
| 89* | Seal, 1-1/2", Type 21, BN-CARB/CM | 101.000.168 |
| | Seal, 1-1/2", Type 21, EPDM-CARB/SIL | 101.000.175B |
| | Seal, 1-1/2", Type 21, EPDM-SIL/SIL | 101.000.204A |
| | Seal, 1-1/2", Type 21, VN-CARB/CM | 101.000.191 |
| | Seal, 1-1/2", Type 21, VN-CARB/SIL | 101.000.175 |
| | Seal, 1-1/2", Type 21, VN-SIL/SIL | 101.000.204 |
| 89A* | Seal spring retainer, Stainless | 104.000.175 |
| KIT | Repair Kit, 1-1/2" BN-CARB/CM Seal, Brz sleeve, BN O-ring | 118.000.343 |
| | Repair Kit, 1-1/2" EPDM-SIL/SIL Seal, Brz sleeve, BN O-ring | 118.000.343D |
| | Repair Kit, 1-1/2" EPDM-SIL/SIL Seal, Brz sleeve, BN O-ring | 118.000.343J |
| | Repair Kit, 1-1/2" VN-CARB/CM Seal, Brz sleeve, BN O-ring | 118.000.343M |
| | Repair Kit, 1-1/2" VN-CARB/CM Seal, Stn sleeve, VN O-ring | 118.000.343A |
| | Repair Kit, 1-1/2" VN-CARB/SIL Seal, Brz sleeve, BN O-ring | 118.000.343B |
| | Repair Kit, 1-1/2" VN-SIL/SIL Seal, Stn sleeve, VN O-ring | 118.000.343F |

* Denotes components included in repair kit.

Motor Charts



Construction Options



| Construction Options | | | |
|----------------------|--------------------------------|-----------------|----------------|
| Key | Part Name | Standard Fitted | All Iron |
| 1 | Case | Iron | Iron |
| 2 | Impeller | Iron, Tefcoted | Iron, Tefcoted |
| 14 | Shaft Sleeve | Bronze | Stainless |
| 26 | Impeller Retaining Assembly | Stainless | Stainless |
| 32 | Key | Stainless | Stainless |
| 38 | O-Ring, Shaft | Buna | Buna |
| 40 | Flinger | Stainless | Stainless |
| 71 | Adapter | Iron | Iron |
| 73 | Gasket, Case | Buna | Buna |
| 89 | Mechanical Seal, Type 21 BN-CM | Standard | Standard |
| 89A | Seal Retainer | Stainless | Stainless |
| H | Plug, Drain | Brass | Plated Steel |