



A WILO BRAND

# MOTORPUMP™ — 3500 RPM

Iron, 60 Hz, 1.5 X 1.25 X 5.5 NPT

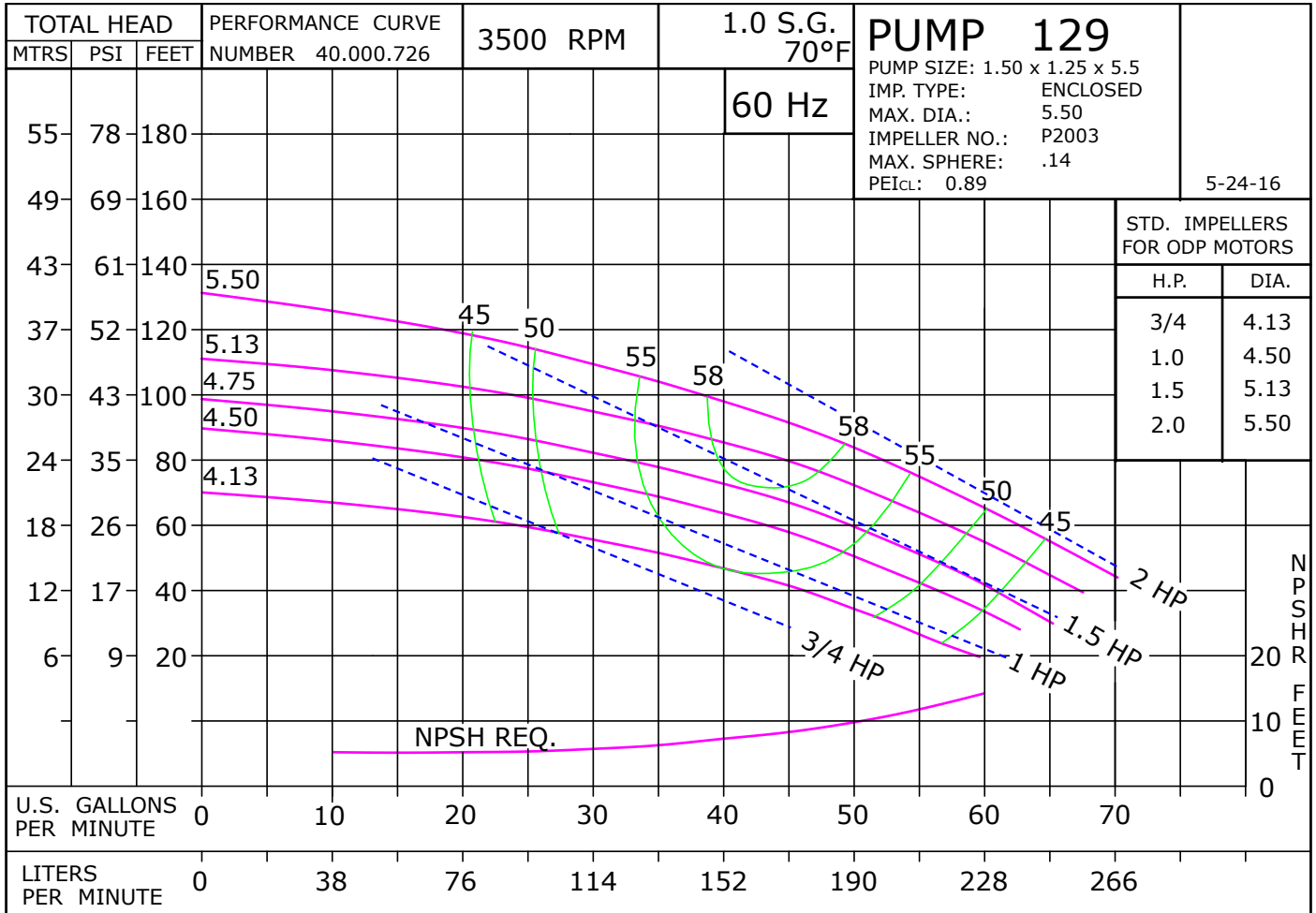
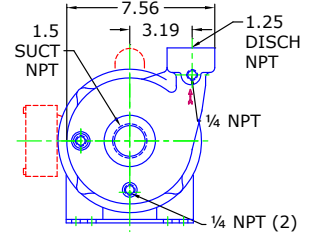
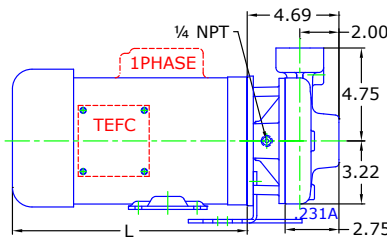
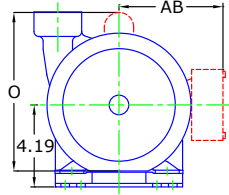
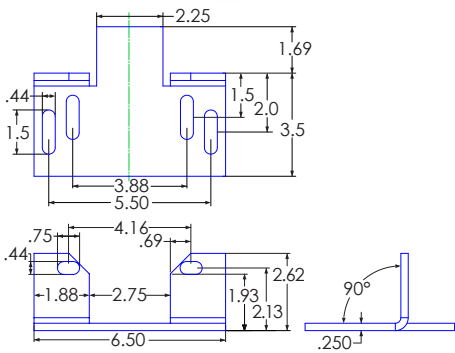
# 129 J56



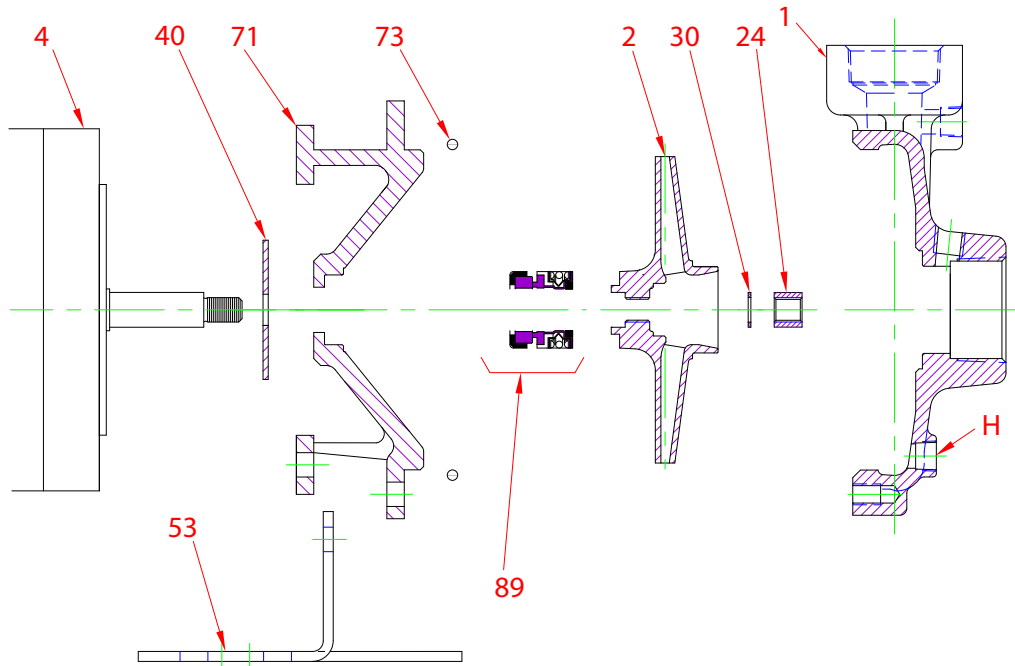
Motor Dimensions							
NEMA J56 Frame 3500 RPM							
HP	Type	3 Phase			1 Phase		
		L	O	AB	L	O	AB
0.75	ODP	8.65	6.46	3.32	9.56	8.37	3.25
1.0	ODP	8.65	6.46	3.32	9.81	8.37	3.25
1.5	ODP	9.04	6.46	3.32	10.31	8.37	3.25
2.0	ODP	9.44	6.46	3.32	10.31	8.37	3.25
0.75	TEFC	9.48	7.33	5.87	9.43	8.10	5.31
1.0	TEFC	10.27	7.33	5.87	10.59	8.10	5.31
1.5	TEFC	11.06	7.33	5.87	10.59	8.10	5.31
2.0	TEFC	11.85	7.33	5.87	11.77	8.10	5.31

Motors are Standard Efficient with the exception of the 1-2 HP 3 phase TEFC, which are Premium Efficient.

DRAWING DEPICTS 56J 1PHASE TEFC MOTOR  
ALL DIMENSIONS IN INCHES



## Parts



Key No.	Part Name	Part Number	
1	Case 129, Iron, 1.50 X 1.25 NPT Brass plugs	137.002.759X	
2	Impeller 128/129, Brnz, Specify Dia, 5.5 Max 7/16 Thrd	137.002.672	
4	Motor chart, J56 3.5" Rigid Base	See Chart	
	Motor chart, J56 Round Body	See Chart	
24*+	Nut, Stainless	105.000.465	
30*+	D Washer, Stainless	104.000.168	
40*	Flinger, Neoprene	104.000.171	
53	Base, Steel	119.000.231A	
71	Adapter, Iron, J56, 5/8" Seal, with Brass plug	132.000.337X	
73*	Gasket, Case, Buna	116.000.146	
89*	Seal, 5/8", Type 21, EPDM-CARB/CM, With retainer	101.000.327	
	Seal, 5/8", Type 21, EPDM-CARB/SIL, With retainer	101.000.173	
	Seal, 5/8", Type 21, EPDM-SIL/SIL, With retainer	101.000.236	
	Seal, 5/8", Type 21, VN-CARB/CM, With retainer	101.000.103	
	Seal, 5/8", Type 21, VN-CARB/SIL, With retainer	101.000.120	
	Seal, 5/8", Type 21, VN-SIL/SIL, With retainer	101.000.239	
	Seal, 5/8", Type 6, BN-CARB/CM, No retainer	101.000.110	
KIT		<b>3 Phase:</b>	<b>1 Phase:</b>
	Repair Kit, 5/8" BN-CARB/CM Seal	118.000.340	118.000.340.1
	Repair Kit, 5/8" EPDM-CARB/CM Seal	118.000.340R	118.000.340R.1
	Repair Kit, 5/8" EPDM-CARB/SIL Seal	118.000.340C	118.000.340C.1
	Repair Kit, 5/8" EPDM-SIL/SIL Seal	118.000.340D	118.000.340D.1
	Repair Kit, 5/8" VN-CARB/CM Seal	118.000.340A	118.000.340A.1
	Repair Kit, 5/8" VN-CARB/SIL Seal	118.000.340B	118.000.340B.1
	Repair Kit, 5/8" VN-SIL/SIL Seal	118.000.340J	118.000.340J.1

\* Denotes components included in repair kit.

+ Not required on 1/3 to 1-1/2 HP 1 phase motors.

Use 3 phase kits on 2-3 HP 1 phase motors.

## Motor Charts

**Motor Chart**  
J56 Frame, Round Body - 3500 RPM - 1 & 3 Phase

1 PHASE 60 Hz 3500 RPM			3 PHASE 60 Hz 3500 RPM				
115/230V			208-230/460V		575V		
HP	ODP	TEFC	HP	ODP	TEFC	ODP	TEFC
1/3	113.000.101		1/3	113.000.365			- -
1/2	113.000.102		1/2	113.000.366			113.000.506
3/4	113.000.103	REPLACED BY 3.5" RIGID BASE	3/4	113.000.354	REPLACED BY 3.5" RIGID BASE	REPLACED BY 3.5" RIGID BASE	113.000.502
1	113.000.104		1	113.000.372			113.000.469
1.5	113.000.143		1.5	113.000.360			113.000.411
2	113.000.348		2	113.000.349			113.000.562
3	113.000.581		3	113.000.368			113.001.347

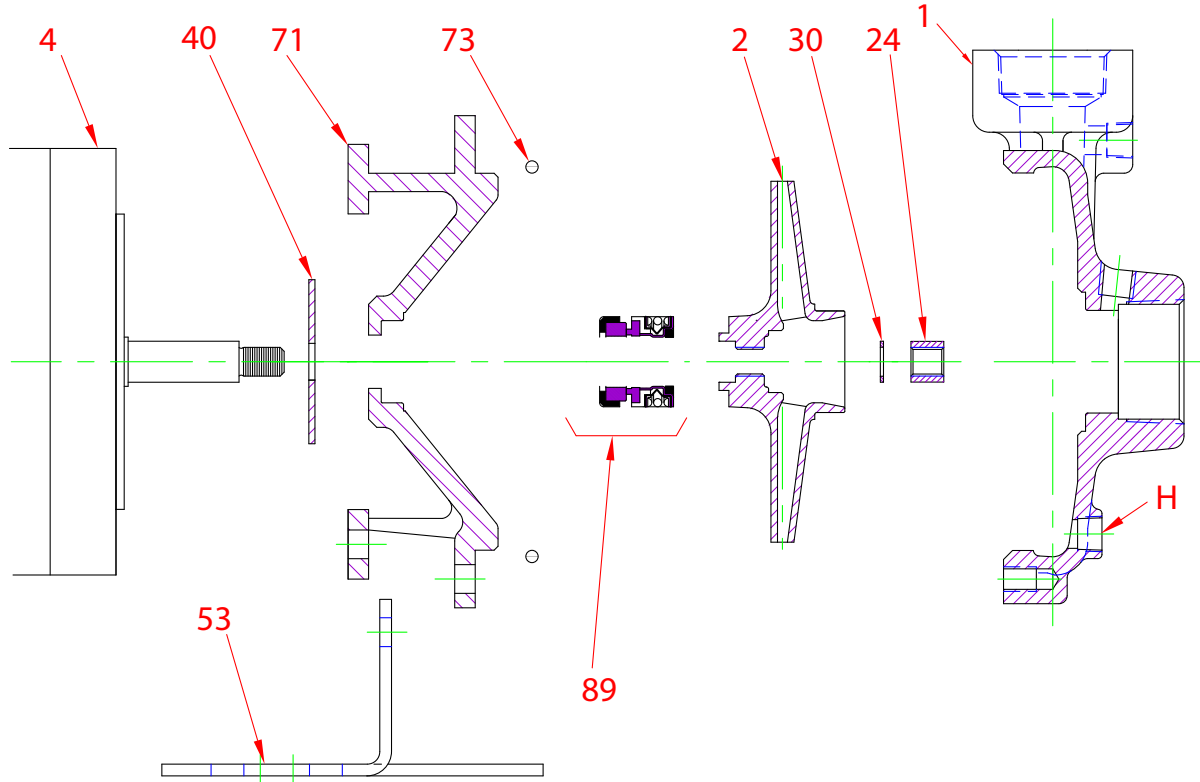
D1009

**Motor Chart**  
J56 Frame, 3.5" Rigid Base - 3500 RPM - 1 & 3 Phase

1 PHASE 60 Hz 3500 RPM			3 PHASE 60 Hz 3500 RPM				
115/230V			208-230/460V		575V		
HP	ODP	TEFC	HP	ODP	TEFC	ODP	TEFC
1/3	113.000.880	137.001.633	1/3	- -	- -	- -	- -
1/2	113.000.116	113.000.929	1/2	113.000.118	113.001.154	137.001.634	113.001.211
3/4	137.001.439	113.000.167	3/4	137.001.080	137.001.223	137.001.635	137.002.416
1	137.001.097	137.001.352	1	137.001.081	137.001.232	137.001.636	137.001.548
1.5	137.001.658	137.001.538	1.5	137.001.069	113.000.409	137.001.456	137.002.409
2	137.001.671	137.001.204	2	137.001.052	137.001.211	137.001.637	137.001.774
3	137.001.672	137.001.539	3	137.001.082	137.001.188	137.001.503	137.002.544
5	- -	- -	5	137.001.134	- -	- -	- -

D1367

**Construction Options**



Construction Options		
Key	Part Name	Standard Fitted
1	Case	Iron
2	Impeller	Bronze
24	Impeller Locknut	Stainless
30	D-Washer	Stainless
40	Flinger	Neoprene
53	Base	Steel
71	Adapter	Iron
73	Gasket, Case	Buna
89	Mechanical Seal, Type 6 BN-CM	Standard
H	Plug, Drain	Brass