



A WILO COMPANY

MOTORPUMP™ — 3500 RPM

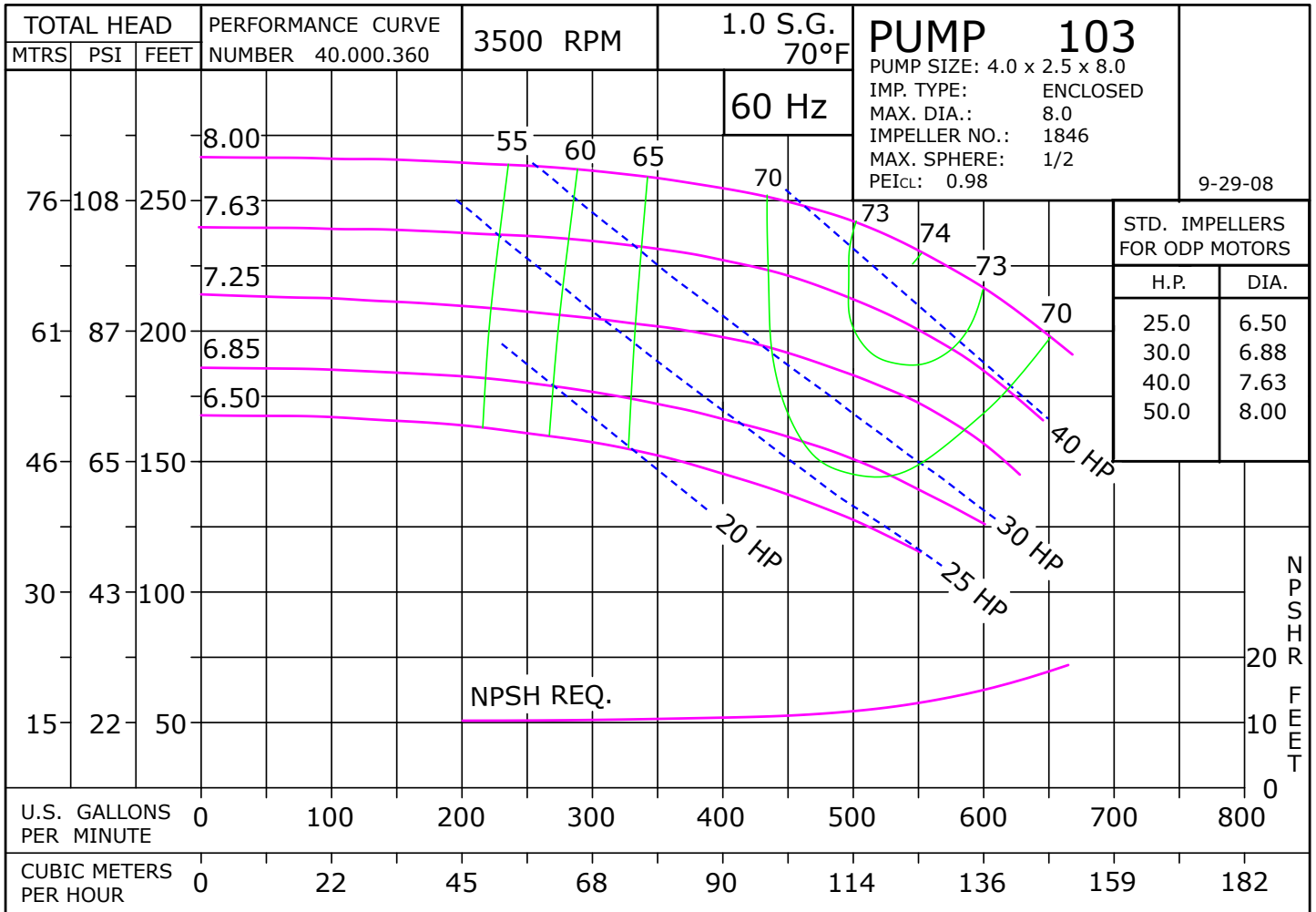
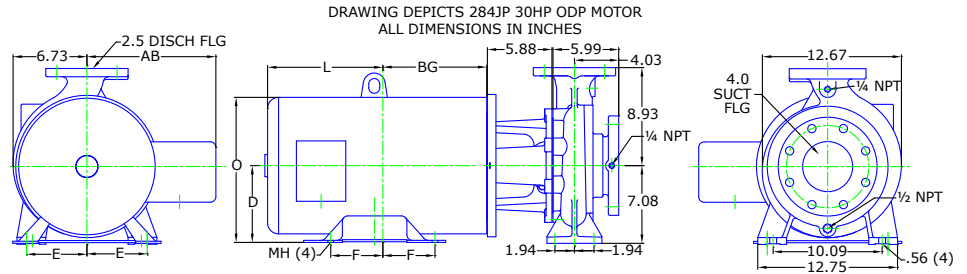
Iron, 60 Hz, 4 X 2.5 X 8 ANSI FLG

103 JP

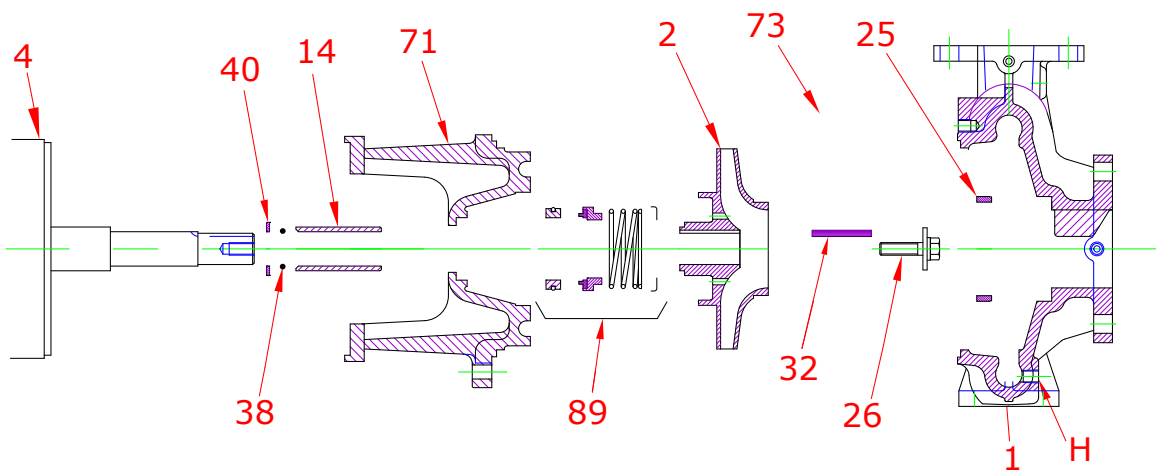


Motor Dimensions										
HP	NEMA Type	Premium Efficient Frame	JP Frame	3 Phase	3500 RPM					
HP	Type	Frame	D	E	F	O	AB	BG	L	MH
25	ODP	JP256	6.25	5.00	5.00	12.00	9.49	9.78	7.91	0.53
30	ODP	JP284	6.97	5.50	4.75	13.07	11.37	9.53	11.53	0.53
40	ODP	JP286	6.97	5.50	5.50	13.07	11.37	10.28	10.78	0.53
50	ODP	JP324	8.00	6.25	5.25	15.59	13.20	10.53	10.90	0.66
25	TEFC	JP284	7.00	5.50	4.75	14.11	11.07	9.26	12.29	0.53
30, 40	TEFC	JP286	7.00	5.50	5.50	14.11	11.07	10.02	13.04	0.53
50	TEFC	JP326	8.00	6.25	6.00	15.93	12.58	11.00	14.60	0.66

*326JP Shaft



Parts

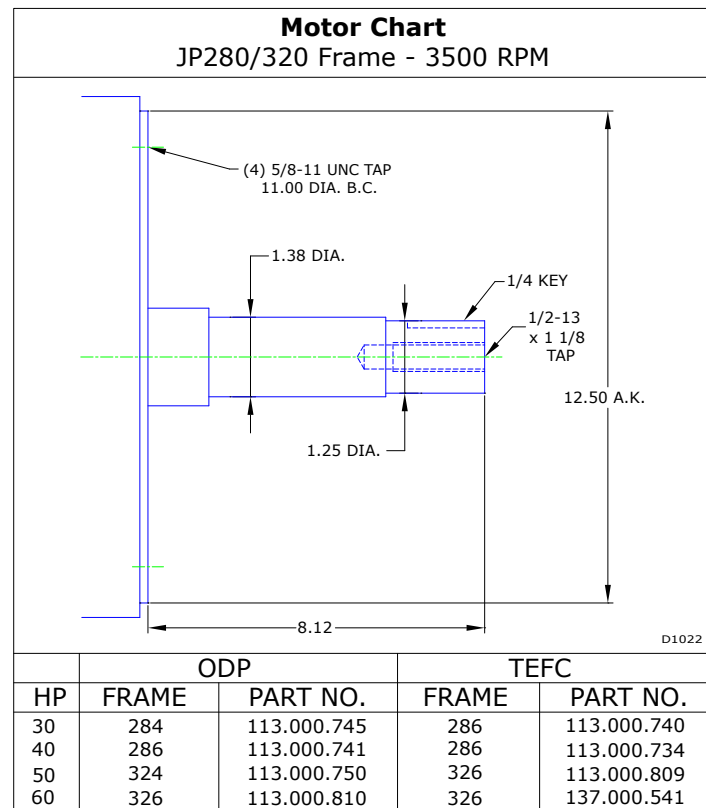
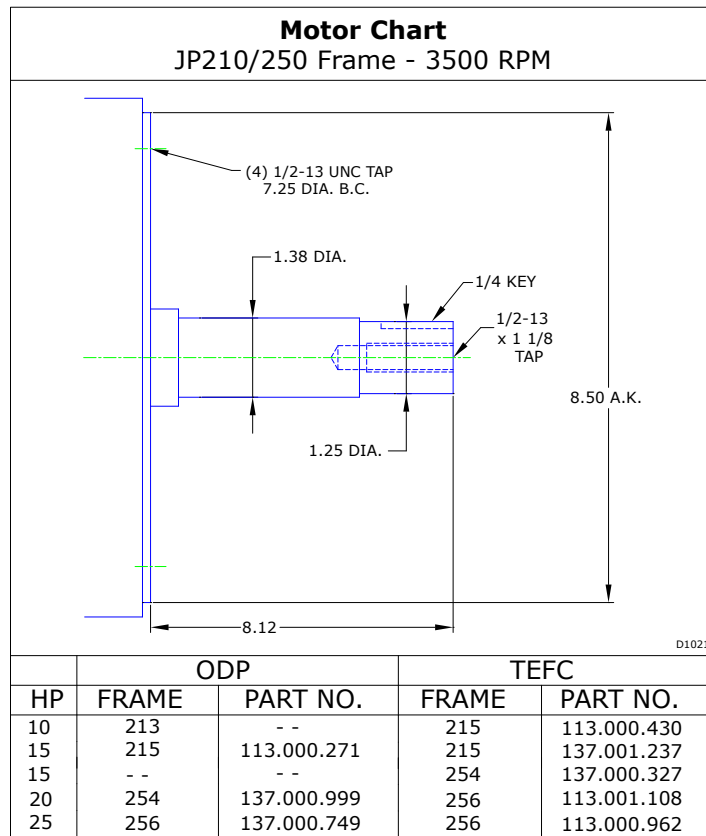


Key No.	Part Name	Part Number
1+	Case 103, Iron, 4.00 X 2.50 FLG Bronze Wear Ring and plugs	130.000.309X
2	Impeller 103, Iron, Specify Dia., 8.00 Max 1-1/4" Key	137.002.242
4	Motor chart, JP210/250	See Chart
	Motor chart, JP280/320	See Chart
14*	Shaft Sleeve, Bronze	110.000.398
	Shaft Sleeve, Stainless	110.000.360
25	Wear Ring, Bronze	137.000.434
	Wear Ring, Steel	137.002.335
26*	Impeller retaining assembly, Stainless	118.000.640
32*	Key, Stainless	102.000.257
38*	O-ring, Shaft, Buna	116.000.218
	O-ring, Shaft, Viton	116.000.218A
40*	Flinger, Stainless	104.000.200
71	Adapter, Iron, JP210/250 1-3/4" Seal, with Brass plug	132.000.378X
	Adapter, Iron, JP280/320 1-3/4" Seal, with Brass plug	132.000.387X
73*	Gasket, Case, Fiber	116.000.276
89*	Seal, 1-3/4", Type 21, BN-CARB/CM with retainer	101.000.196
	Seal, 1-3/4", Type 21, EPDM-CARB/SIL with retainer	101.000.196B
	Seal, 1-3/4", Type 21, EPDM-SIL/SIL with retainer	137.001.555
	Seal, 1-3/4", Type 21, VN-CARB/CM with retainer	101.000.216
	Seal, 1-3/4", Type 21, VN-CARB/SIL with retainer	101.000.221
	Seal, 1-3/4", Type 21, VN-SIL/SIL with retainer	101.000.231
KIT	Repair Kit, 1-3/4" BN-CARB/CM Seal, Brz sleeve, BN O-ring	118.000.410
	Repair Kit, 1-3/4" EPDM-CARB/SIL Seal, Brz sleeve, BN O-ring	118.000.410C
	Repair Kit, 1-3/4" EPDM-SIL/SIL Seal, Brz sleeve, BN O-ring	118.000.410E
	Repair Kit, 1-3/4" VN-CARB/CM Seal, Brz sleeve, BN O-ring	118.000.410A
	Repair Kit, 1-3/4" VN-CARB/CM Seal, Stn sleeve, VN O-ring	118.000.410G
	Repair Kit, 1-3/4" VN-CARB/SIL Seal, Brz sleeve, BN O-ring	118.000.410B
	Repair Kit, 1-3/4" VN-SIL/SIL Seal, Brz sleeve, BN O-ring	118.000.410D
	Repair Kit, 1-3/4" VN-SIL/SIL Seal, Stn sleeve, VN O-ring	118.000.410H

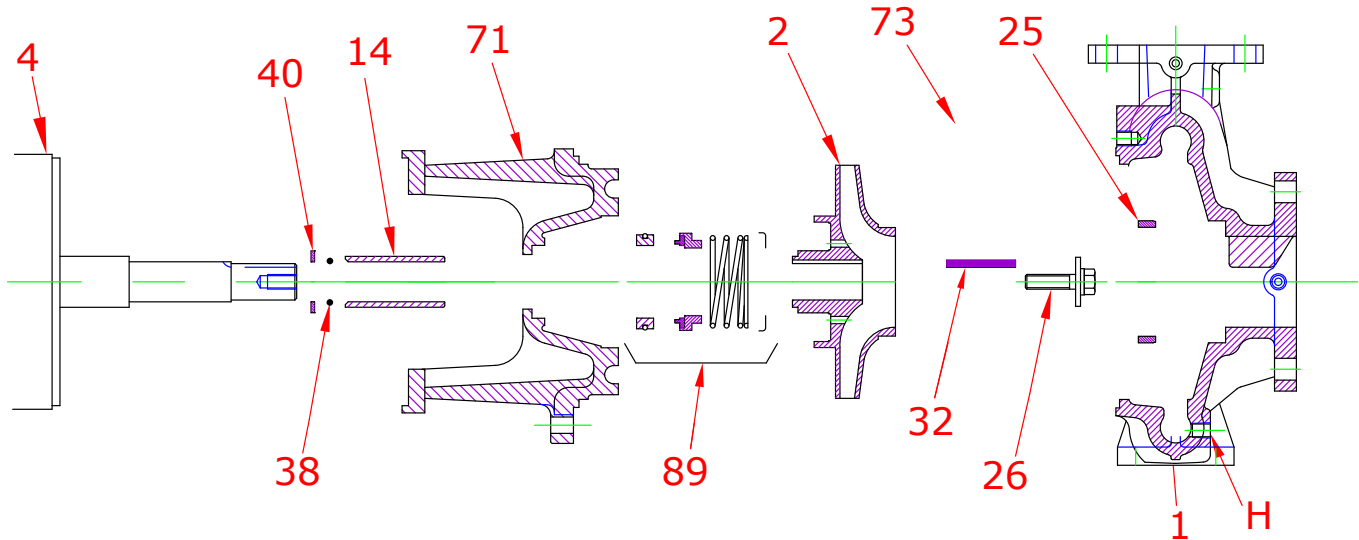
* Denotes components included in repair kit.

+ Includes bronze wear ring. For steel, replace suffix "X" with "X1".

Motor Charts



Construction Options



Construction Options			
Key No.	Part Name	Standard Fitted	All Iron
1	Case	Iron	Iron
2	Impeller	Iron	Iron
14	Shaft Sleeve	Bronze	Stainless
25	Wear Ring, Case	Bronze	Steel
26	Impeller Retainer	Stainless	Stainless
32	Key	Stainless	Stainless
38	Shaft O-Ring	Buna	Buna
40	Flinger	Stainless	Stainless
71	Adapter	Iron	Iron
73	Gasket, Case	Fiber	Fiber
89	Mechanical Seal, Type 21 BN-CM	Standard	Standard
H	Plug, Drain	Brass	Plated Steel