



A WILO BRAND

MOTORPUMP™ — 3500 RPM

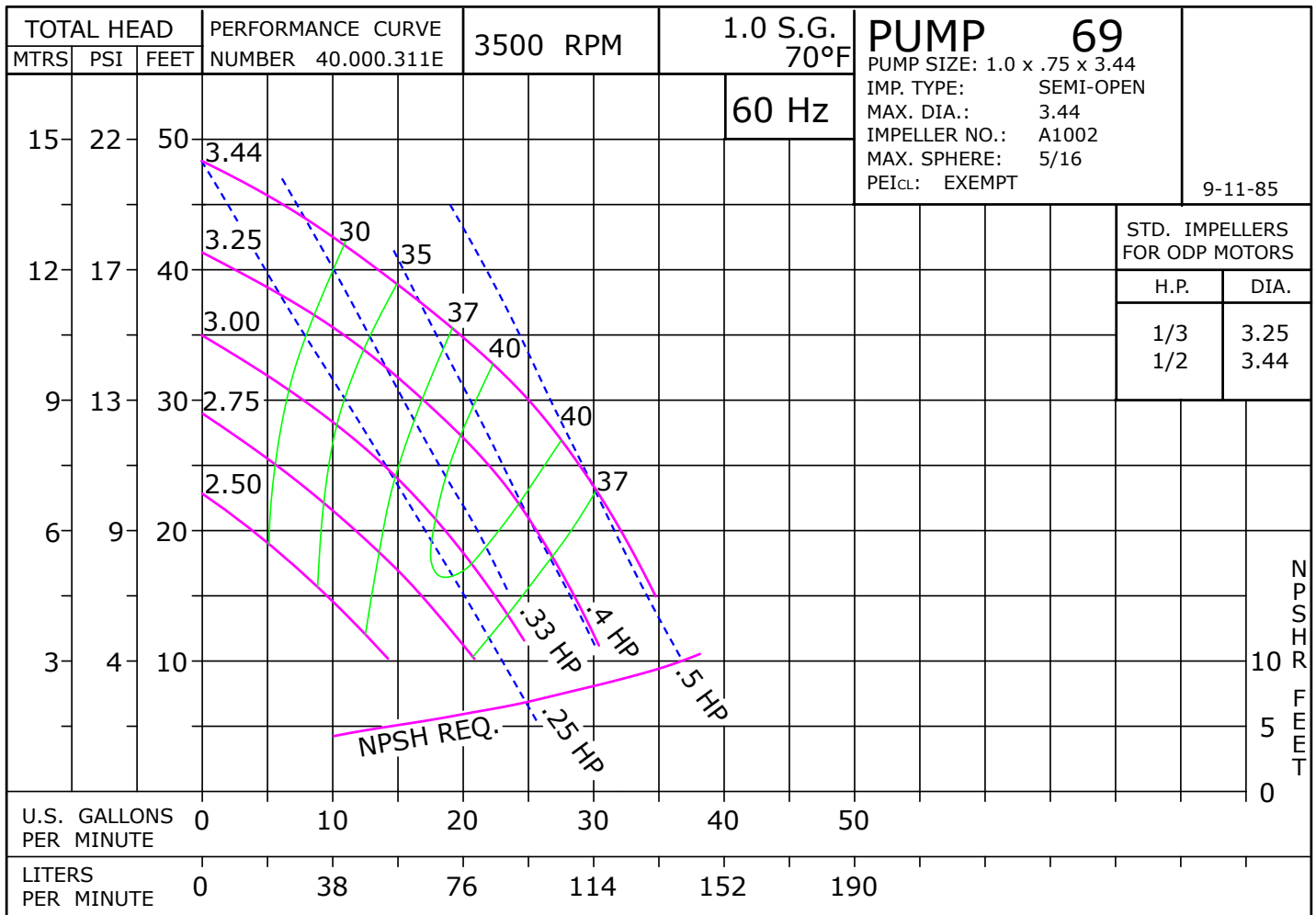
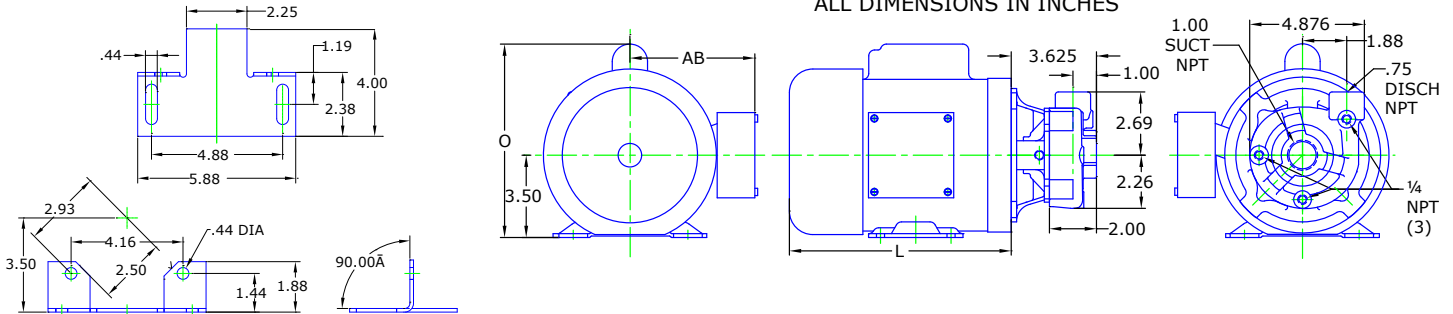
Iron, 60 Hz, 1 X 0.75 X 3.44 NPT

69 J56

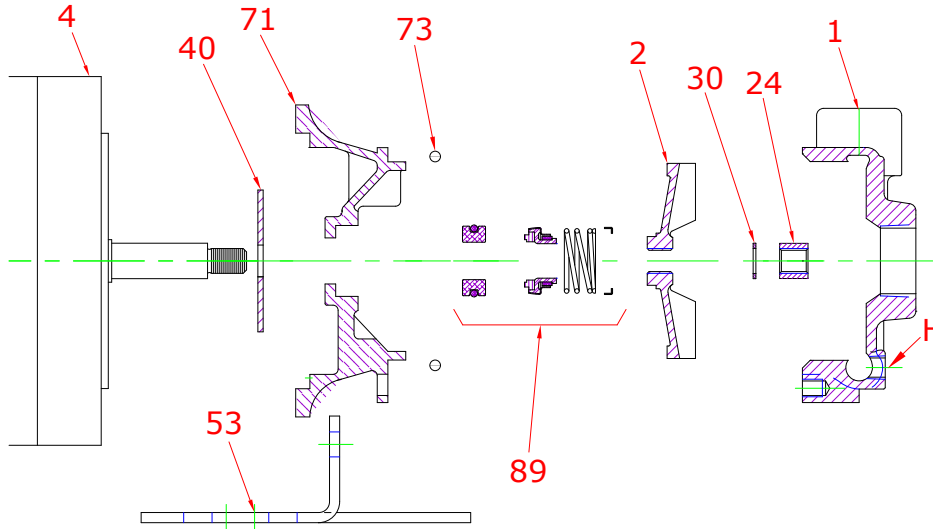


Motor Dimensions							
		NEMA		Standard Efficient		J56 Frame 3500 RPM	
HP	Type	3 Phase			1 Phase		
		L	O	AB	L	O	AB
0.50	ODP	8.26	6.46	3.32	9.06	8.37	3.25
0.50	TEFC	9.48	7.33	5.87	9.43	8.10	5.31

DRAWING DEPICTS 56J TEFC 1PHASE MOTOR
ALL DIMENSIONS IN INCHES



Parts

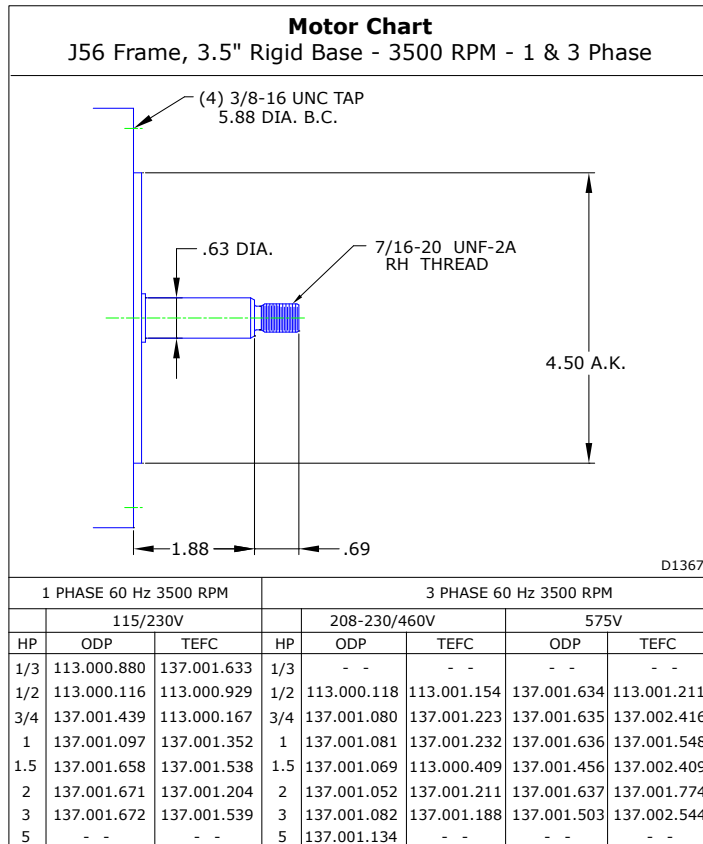
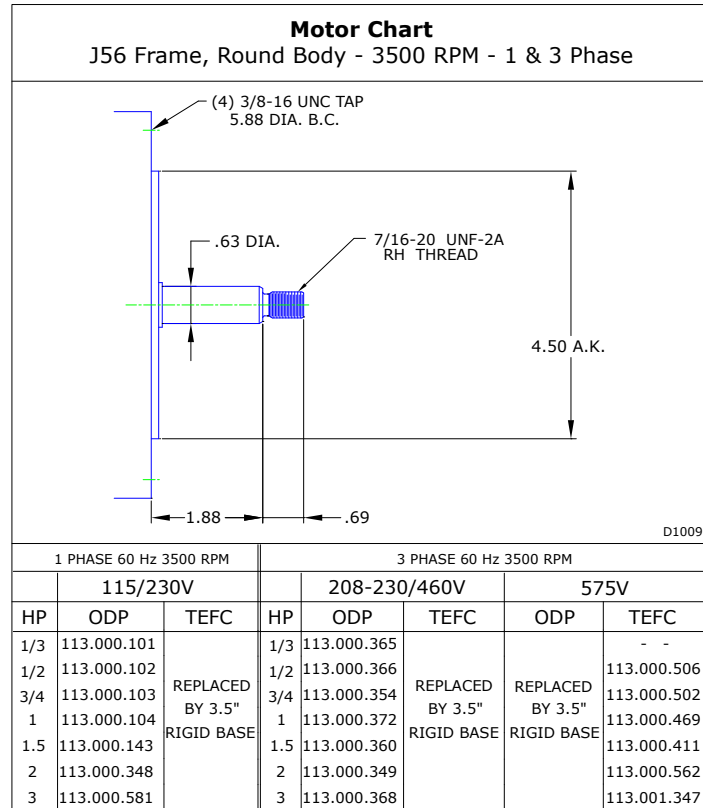


Key No.	Part Name	Part Number	
1	Case 69, Iron, 1.00 X 0.75 NPT Brass plugs	130.000.283AX	
2	Impeller 69, Brnz, Specify Dia 3.44 Max 7/16" Thrd	137.000.138	
	Impeller 69, Iron, Specify Dia 3.44 Max 7/16" Thrd	137.000.143	
4	Motor chart, J56 3.5" Rigid Base	See Chart	
	Motor chart, J56 Round Body	See Chart	
24*+	Nut, Stainless	137.001.349	
30*+	D Washer, Stainless	104.000.168	
40*	Flinger, Neoprene	104.000.171	
53	Base, Steel	119.000.287A	
71	Adapter, Iron, J56, 5/8" Seal, with Brass plug	3301088X	
73*	Gasket, Case, Buna	116.000.153	
89*	Seal, 5/8", Type 21, EPDM-CARB/CM, With retainer	101.000.327	
	Seal, 5/8", Type 21, EPDM-CARB/SIL, With retainer	101.000.173	
	Seal, 5/8", Type 21, EPDM-SIL/SIL, With retainer	101.000.236	
	Seal, 5/8", Type 21, VN-CARB/CM, With retainer	101.000.103	
	Seal, 5/8", Type 21, VN-CARB/SIL, With retainer	101.000.120	
	Seal, 5/8", Type 21, VN-SIL/SIL, With retainer	101.000.239	
	Seal, 5/8", Type 6, BN-CARB/CM, No retainer	101.000.110	
KIT		3 Phase:	1 Phase:
	Repair Kit, 5/8" BN-CARB/CM Seal	118.000.389	118.000.389.1
	Repair Kit, 5/8" EPDM-CARB/CM Seal	118.000.389F	118.000.389F.1
	Repair Kit, 5/8" EPDM-CARB/SIL Seal	118.000.389C	118.000.389C.1
	Repair Kit, 5/8" EPDM-SIL/SIL Seal	118.000.389D	118.000.389D.1
	Repair Kit, 5/8" VN-CARB/CM Seal	118.000.389A	118.000.389A.1
	Repair Kit, 5/8" VN-CARB/SIL Seal	118.000.389B	118.000.389E.1
	Repair Kit, 5/8" VN-SIL/SIL Seal	118.000.389E	118.000.389B.1

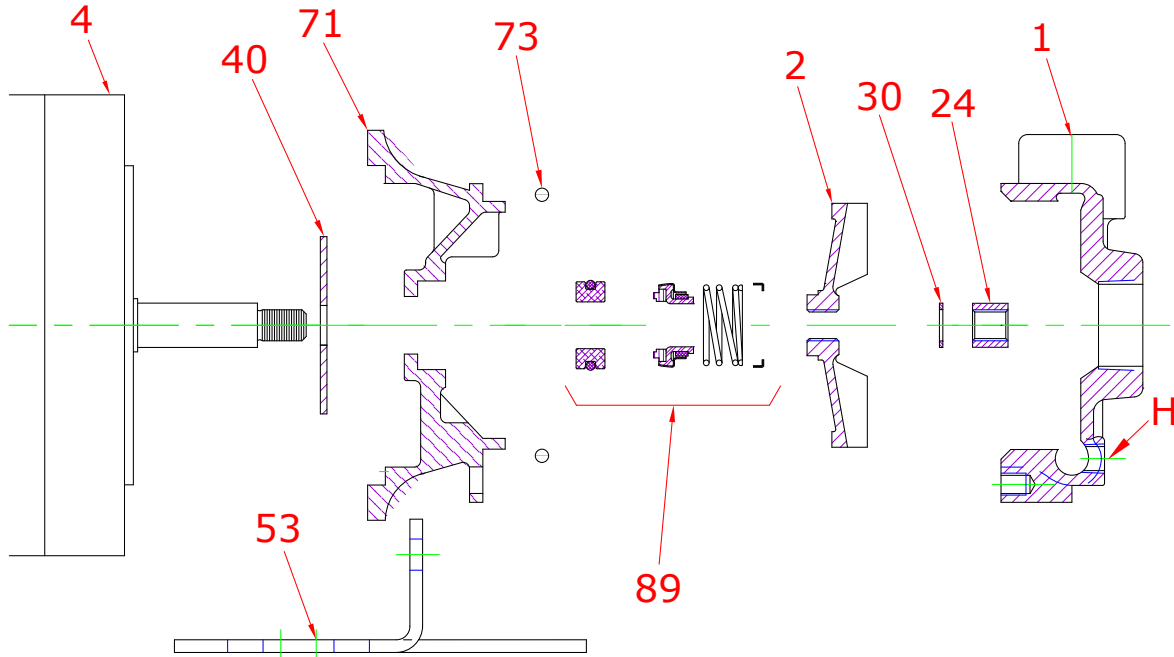
* Denotes components included in repair kit.

+ Not required on 1/3 to 1-1/2 HP 1 phase motors.

Motor Charts



Construction Options



Construction Options				
Key	Part Name	Standard Fitted	Bronze Fitted	All Iron
1	Case	Iron	Iron	Iron
2	Impeller	Iron	Bronze	Iron
24	Impeller Locknut	Stainless	Stainless	Stainless
30	D-Washer	Stainless	Stainless	Stainless
40	Flinger	Neoprene	Neoprene	Neoprene
53	Base	Steel	Steel	Steel
71	Adapter	Iron	Iron	Iron
73	Gasket, Case	Buna	Buna	Buna
89	Mechanical Seal, Type 6 BN-CM	Standard	Standard	Standard
H	Plug, Drain	Brass	Brass	Plated Steel