



A WILO COMPANY

MOTORPUMP™ — 3500 RPM

Iron, 60 Hz, 2 X 1.5 X 9 NPT

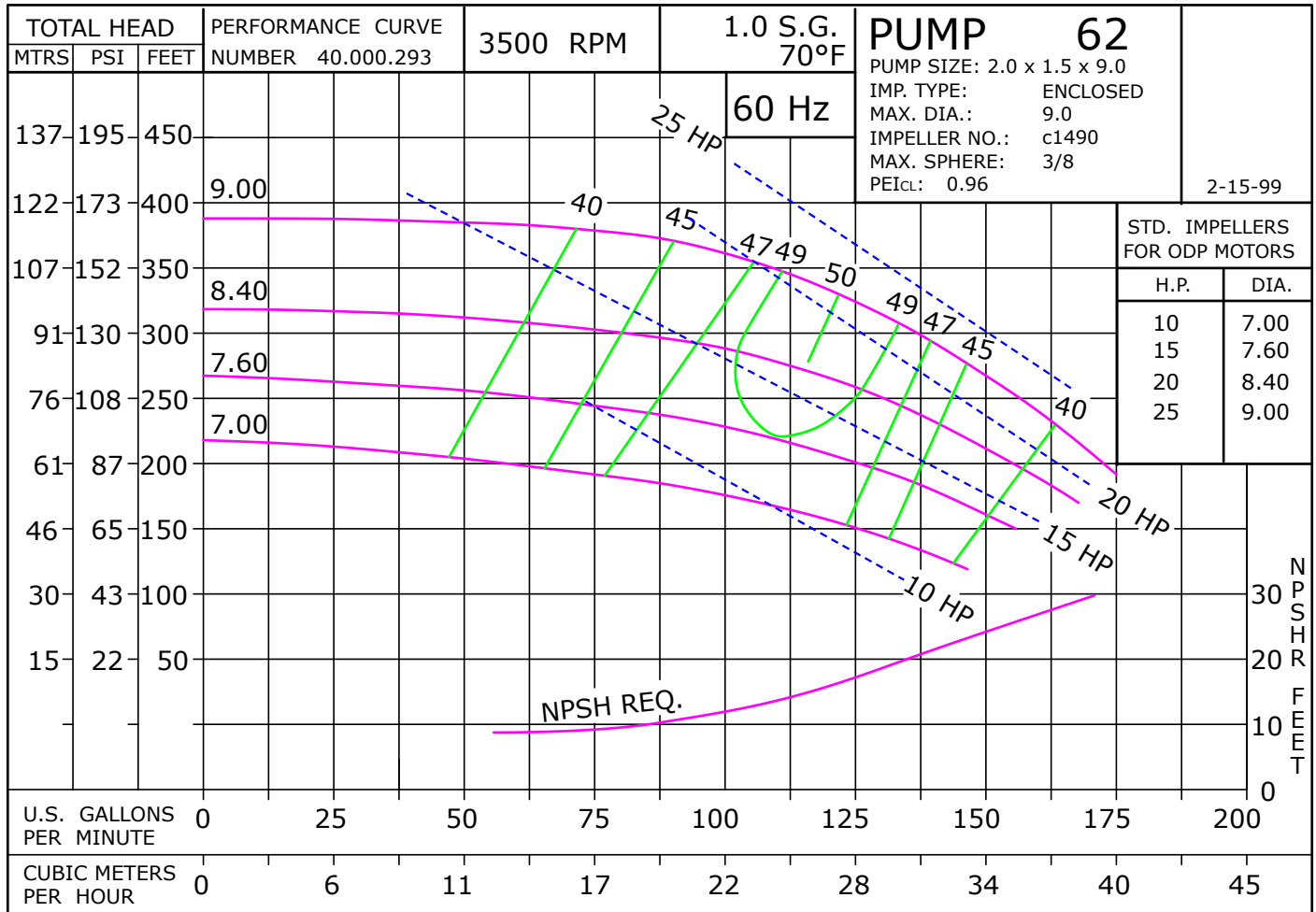
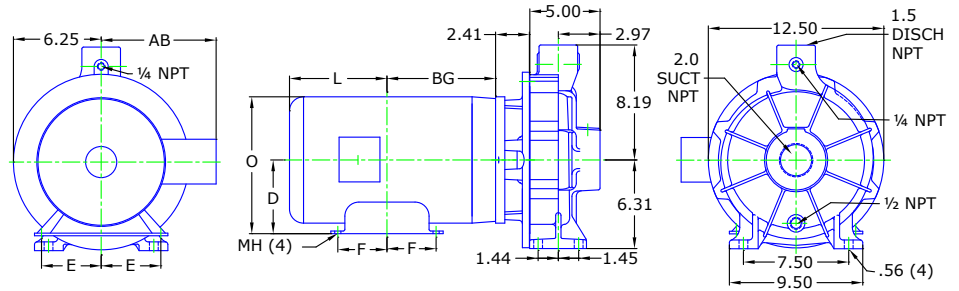
62 JM



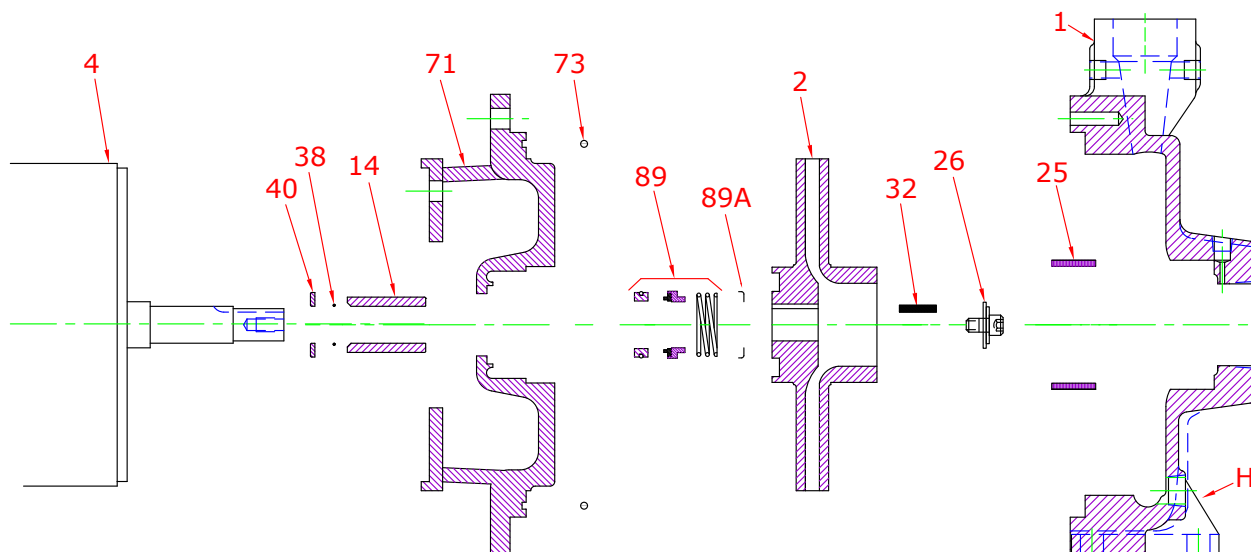
Motor Dimensions										
HP	Type	Frame	D	E	F	O	AB	BG	L	MH
10	ODP	JM213	5.25	4.25	2.75	10.03	7.92	7.00	6.94	0.43
15	ODP	JM215	5.25	4.25	3.50	10.03	7.92	7.75	6.19	0.43
*20	ODP	TCZ254	6.25	5.00	4.13	12.00	9.49	8.88	8.81	0.53
*25	ODP	TCZ256	6.25	5.00	5.00	12.00	9.49	9.75	7.94	0.53
10, 15	TEFC	JM215	5.25	4.25	3.50	10.37	8.19	6.77	9.16	0.41
*20	TEFC	TCZ254	6.25	5.00	4.13	12.88	10.04	8.88	10.91	0.53
*25	TEFC	TCZ256	6.25	5.00	5.00	12.88	10.04	9.75	10.03	0.53

*215JM Shaft

DRAWING DEPICTS 215JM 15HP ODP MOTOR
ALL DIMENSIONS IN INCHES



Parts

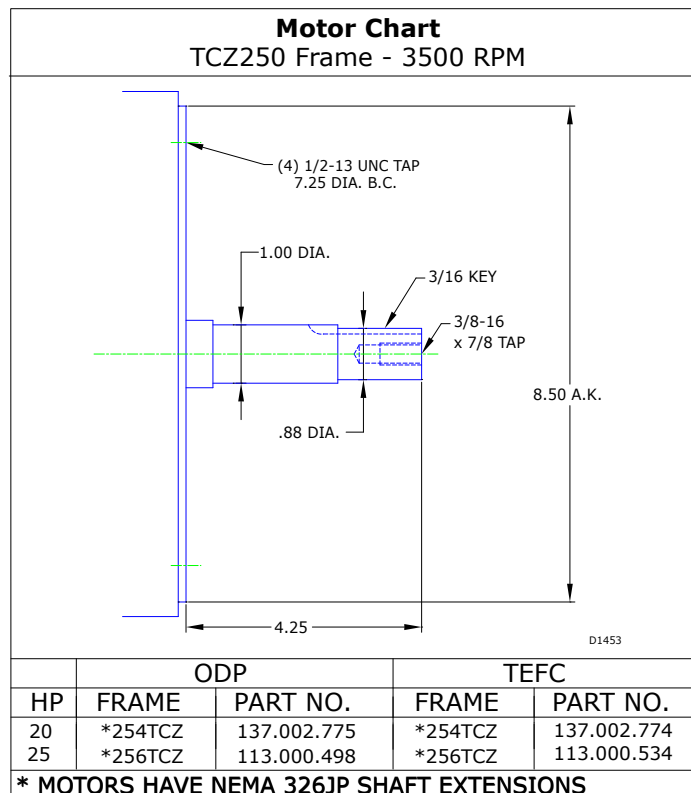
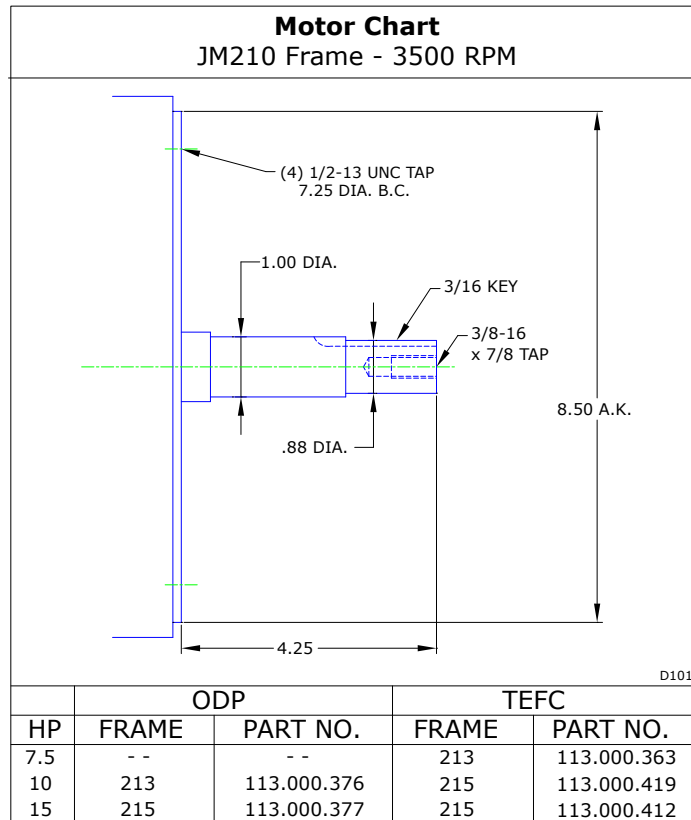


Key No.	Part Name	Part Number
1+	Case 62, Iron, 2.00 X 1.50 NPT Bronze Wear Ring and plugs	130.000.260X
2	Impeller 62, Bronze, Specify Dia., 9.00 Max 7/8" Key	137.002.708
	Impeller 62, Iron, Specify Dia., 9.00 Max 7/8" Key	137.000.123
4	Motor chart, JM210	See Chart
	Motor chart, TCZ250 with custom 215JM shaft	See Chart
14*	Shaft sleeve, Bronze	110.000.178
	Shaft sleeve, Stainless	110.000.192
25	Wear ring, Bronze	103.000.166
	Wear ring, Steel	103.000.178
26*	Impeller retaining assembly, Stainless	118.000.111A
32*	Key, Stainless	102.000.102
38*	O-ring, Shaft, Buna	116.000.117
	O-ring, Shaft, Viton	116.000.105
40*	Flinger, Stainless	104.000.165
71	Adapter, Iron, JM210 1-1/2" Seal, with Brass plug	132.000.275X
73*	Gasket, Case, Buna	116.000.240
89*	Seal, 1-1/2", Type 21, BN-CARB/CM	101.000.168
	Seal, 1-1/2", Type 21, EPDM-CARB/SIL	101.000.175B
	Seal, 1-1/2", Type 21, EPDM-SIL/SIL	101.000.204A
	Seal, 1-1/2", Type 21, VN-CARB/CM	101.000.191
	Seal, 1-1/2", Type 21, VN-CARB/SIL	101.000.175
	Seal, 1-1/2", Type 21, VN-SIL/SIL	101.000.204
89A*	Seal spring retainer, Stainless	104.000.174
KIT	Repair Kit, 1-1/2" BN-CARB/CM Seal, Brz sleeve, BN O-ring	118.000.386
	Repair Kit, 1-1/2" EPDM-CARB/SIL Seal, Brz sleeve, BN O-ring	118.000.386C
	Repair Kit, 1-1/2" EPDM-SIL/SIL Seal, Brz sleeve, BN O-ring	118.000.386F
	Repair Kit, 1-1/2" VN-CARB/CM Seal, Stn sleeve, VN O-ring	118.000.386A
	Repair Kit, 1-1/2" VN-CARB/SIL Seal, Brz sleeve, BN O-ring	118.000.386B
	Repair Kit, 1-1/2" VN-SIL/SIL Seal, Stn sleeve, VN O-ring	118.000.386E

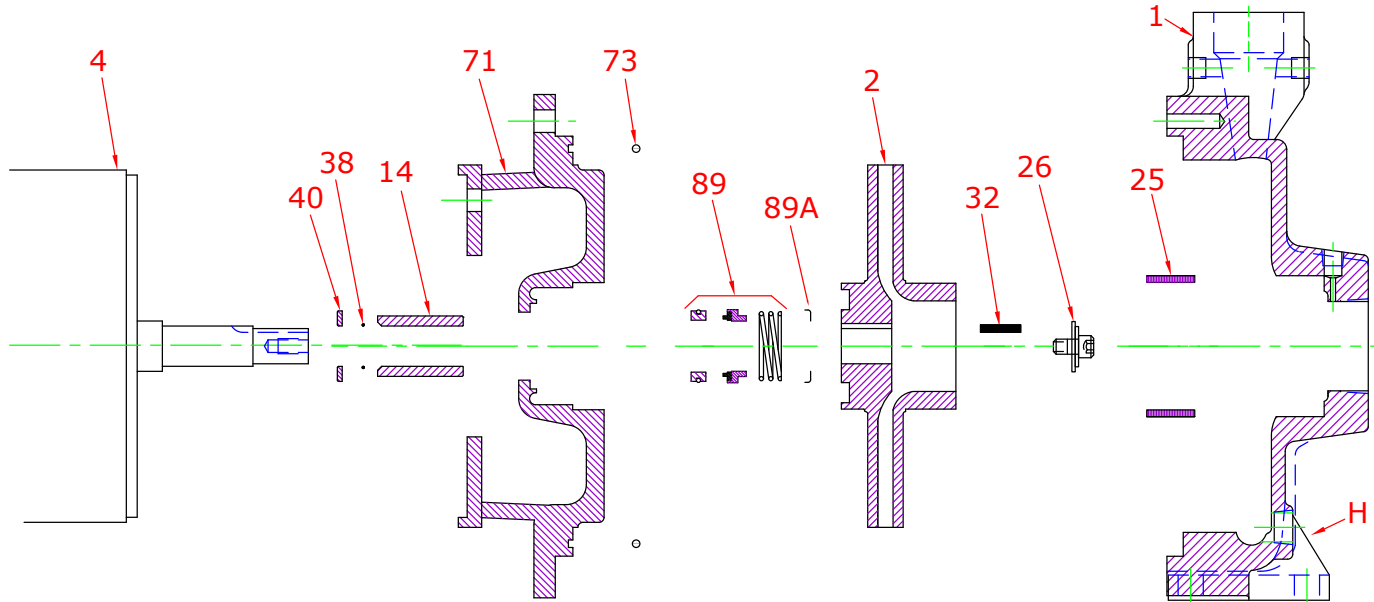
* Denotes components included in repair kit.

+ Includes bronze wear ring. For steel, replace suffix "X" with "X1".

Motor Charts



Construction Options



Construction Options			
Key	Part Name	Standard Fitted	All Iron
1	Case	Iron	Iron
2	Impeller	Bronze	Iron
14	Shaft Sleeve	Bronze	Stainless
25	Wear Ring	Bronze	Steel
26	Impeller Retaining Assembly	Stainless	Stainless
32	Key	Stainless	Stainless
38	O-Ring, Shaft	Buna	Buna
40	Flinger	Stainless	Stainless
71	Adapter	Iron	Iron
73	Gasket, Case	Buna	Buna
89	Mechanical Seal, Type 21 BN-CM	Standard	Standard
89A	Seal Retainer	Stainless	Stainless
H	Plug, Drain	Brass	Plated Steel